



US0D1064575S

(12) **United States Design Patent**
Kim

(10) **Patent No.:** **US D1,064,575 S**

(45) **Date of Patent:** **** Mar. 4, 2025**

(54) **BAG**

(71) Applicant: **LULULEMON ATHLETICA CANADA INC.**, Vancouver (CA)

(72) Inventor: **Sungeun Kim**, Vancouver (CA)

(73) Assignee: **LULULEMON ATHLETICA CANADA INC.**, Vancouver (CA)

(**) Term: **15 Years**

(21) Appl. No.: **29/823,418**

(22) Filed: **Jan. 17, 2022**

(51) **LOC (15) Cl.** **03-01**

(52) **U.S. Cl.**
USPC **D3/301; D3/226; D3/232**

(58) **Field of Classification Search**
USPC D3/201, 215, 226, 232, 233, 245, 273,
D3/301
CPC A45C 1/00; A45C 1/02; A45C 1/04; A45C
3/00; A45C 3/06; A45F 3/02
See application file for complete search history.

(56) **References Cited**

U.S. PATENT DOCUMENTS

D544,711 S *	6/2007	Mundy	D6/630
D645,251 S *	9/2011	Lee	D3/301
D862,076 S *	10/2019	Dumas	D3/245
D876,086 S *	2/2020	de Libran	A45C 1/00
				D3/232
D937,580 S *	12/2021	Huang	D3/301
D972,300 S *	12/2022	Zhou	D3/289
D995,105 S *	8/2023	Bauer	D3/226
D1,014,970 S *	2/2024	Cai	D3/301
D1,019,136 S *	3/2024	O'Connell	D3/301

(Continued)

FOREIGN PATENT DOCUMENTS

CN	304490973	*	2/2018
CN	304490976	*	2/2018

(Continued)

OTHER PUBLICATIONS

[Wrangler Crossbody Sling Bag], posted Aug. 21, 2023 [online], [retrieved Jan. 17, 2024]. Retrieved from internet, <https://a.co/d/9Ve539F> (Year: 2023).*

(Continued)

Primary Examiner — T Chase Nelson

Assistant Examiner — Darcy Fabre

(74) *Attorney, Agent, or Firm* — CONNEELY PC; Joseph Conneely

(57) **CLAIM**

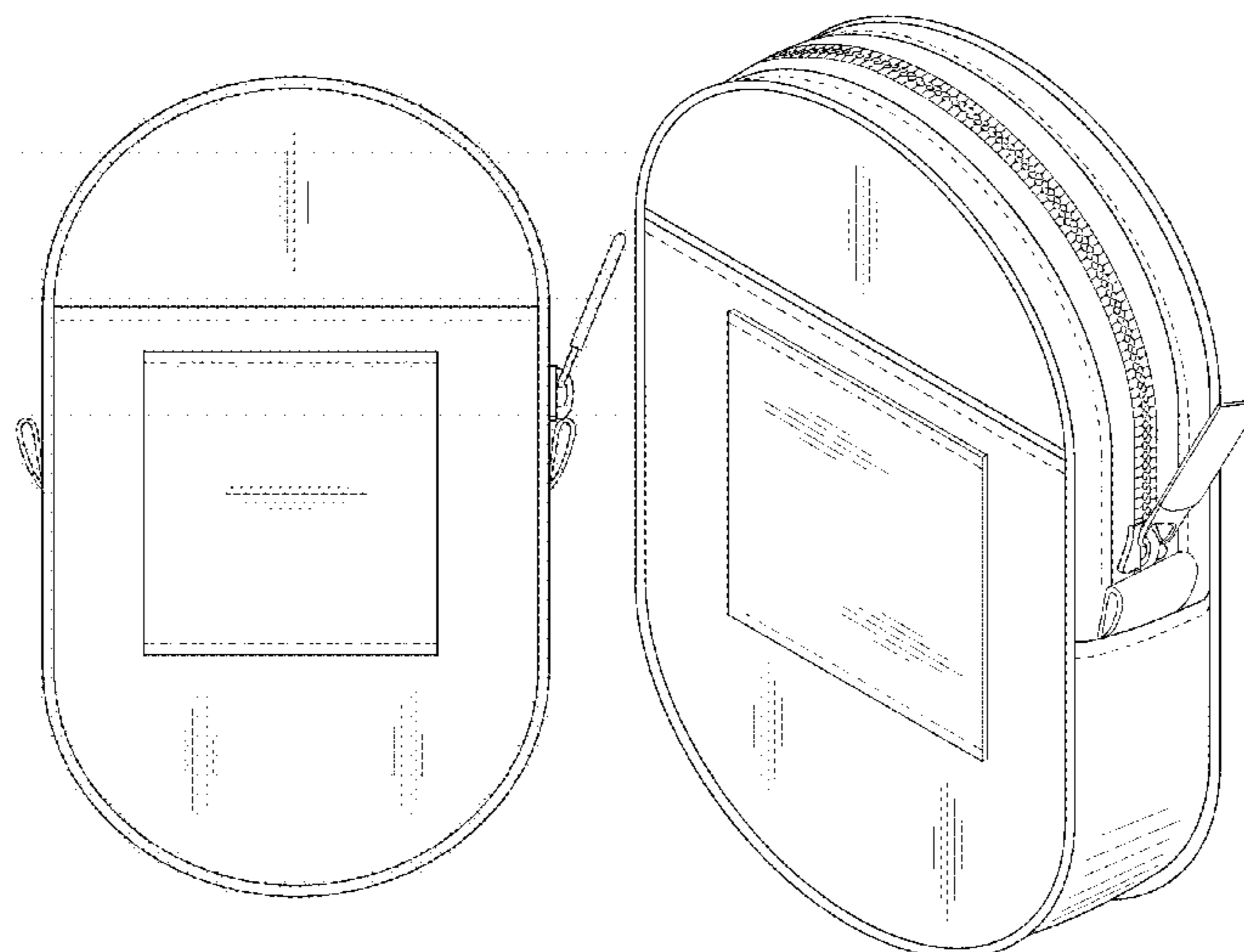
The ornamental design for a bag, as shown and described.

DESCRIPTION

FIG. 1 is a front view of a bag according to the design;
 FIG. 2 is a rear view thereof;
 FIG. 3 is a right side view thereof;
 FIG. 4 is a left side view thereof;
 FIG. 5 is a top view thereof;
 FIG. 6 is a bottom view thereof;
 FIG. 7 is a front perspective view thereof;
 FIG. 8 is a rear perspective view thereof;
 FIG. 9 is front perspective view of the bag of FIGS. 1-8 shown in an environment of use;
 FIG. 10 is a rear perspective view thereof;
 FIG. 11 is front perspective view of the bag of FIGS. 1-8 shown in an environment of use; and,
 FIG. 12 is a rear perspective view thereof.

The portions of the bag shown in broken lines in FIGS. 2-5 and 7-12 do not form part of the claimed design. The broken line showing of the shoulder strap in FIGS. 9-12 is for the purpose of illustrating portions of the environmental structure and forms no part of the claimed design.

1 Claim, 12 Drawing Sheets



(56)

References Cited

U.S. PATENT DOCUMENTS

D1,025,591 S * 5/2024 Bauer D3/226
D1,030,320 S * 6/2024 Nichols D3/301
D1,032,194 S * 6/2024 Zhuang D3/226
D1,035,269 S * 7/2024 Li D3/232

FOREIGN PATENT DOCUMENTS

CN 308288242 * 10/2023
GB 6293883 * 7/2023
GB 6302378 * 8/2023

OTHER PUBLICATIONS

[Ododos Unisex Crossbody Bag], posted date unknown [online],
[retrieved Jan. 17, 2024]. Retrieved from internet, <https://a.co/d/67hjsse> (Year: 2024).*

[Belt Loop Traveler Pouch], posted date unknown [online], [retrieved
Jan. 17, 2024]. Retrieved from internet, <https://www.luciasworldemporium.com/products/belt-loop-traveler-pouch> (Year:
2024).*

* cited by examiner

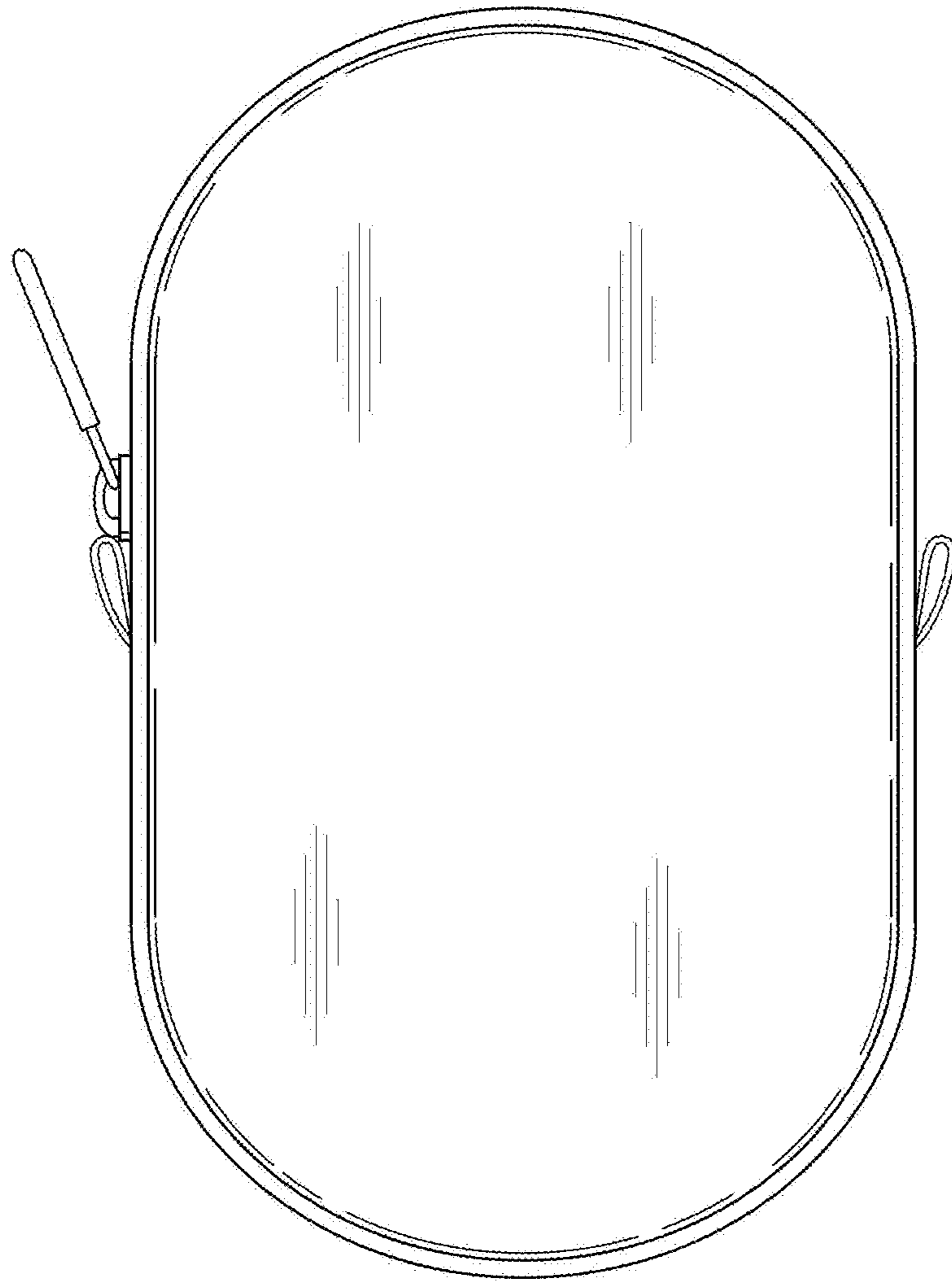


FIG. 1

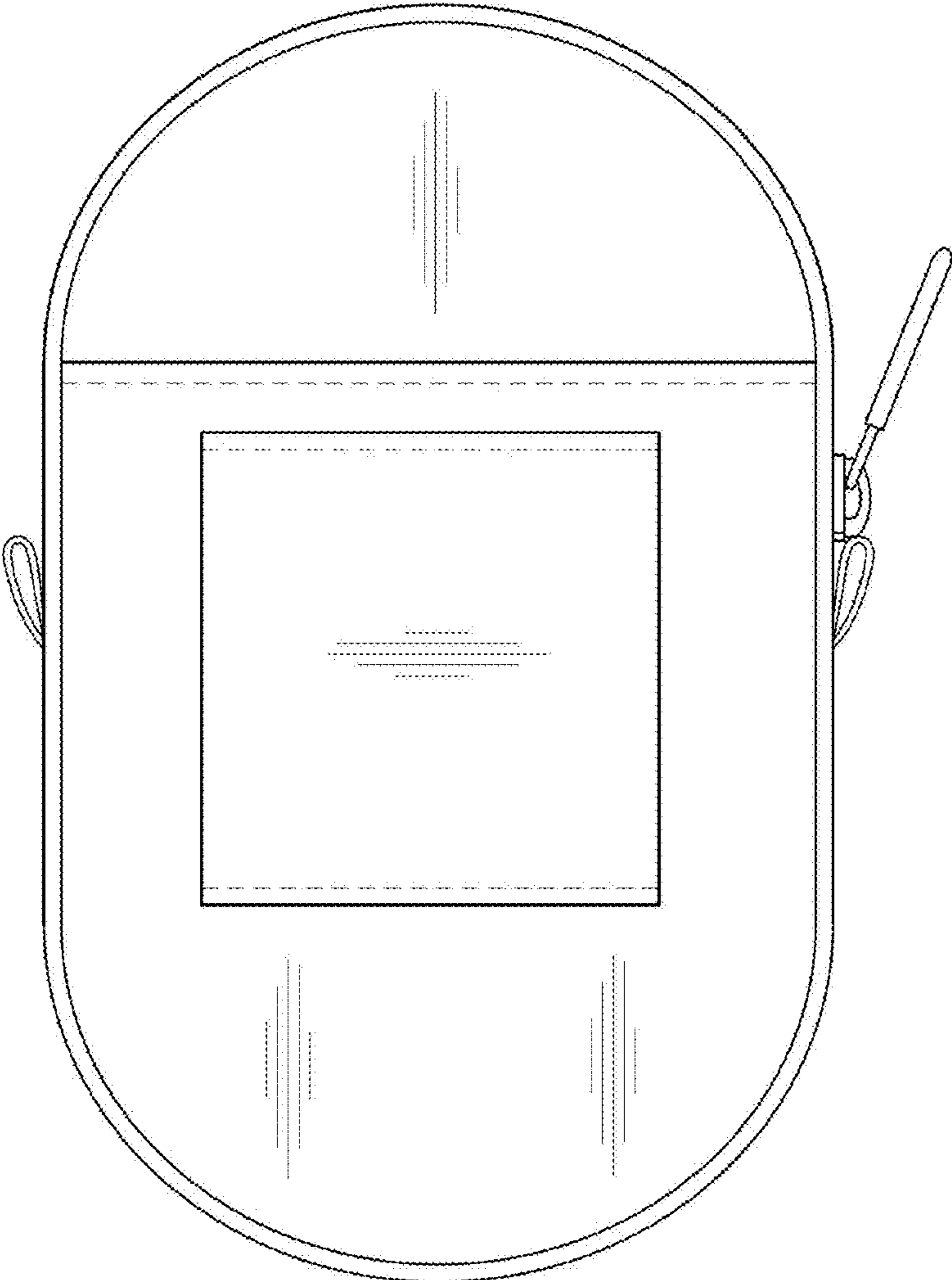


FIG.2

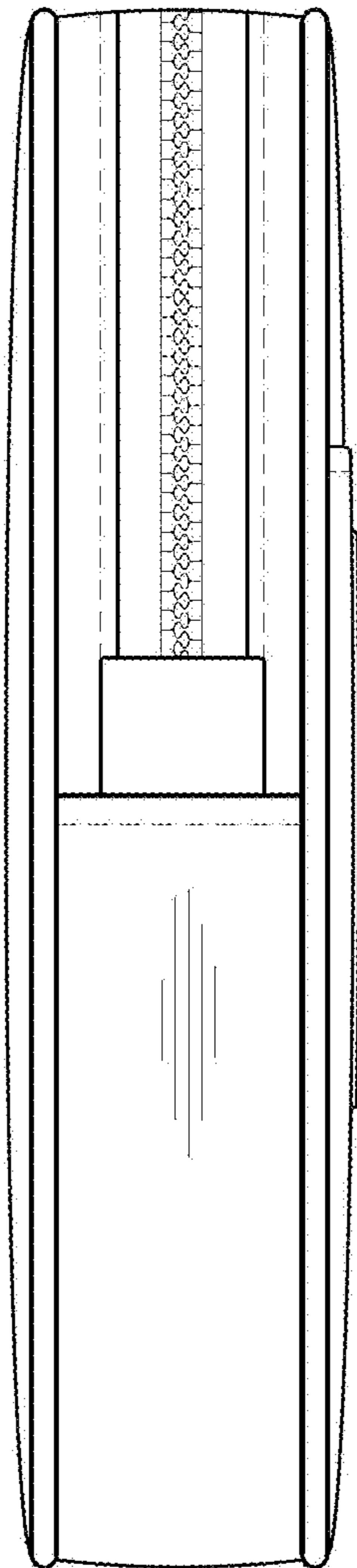


FIG.3

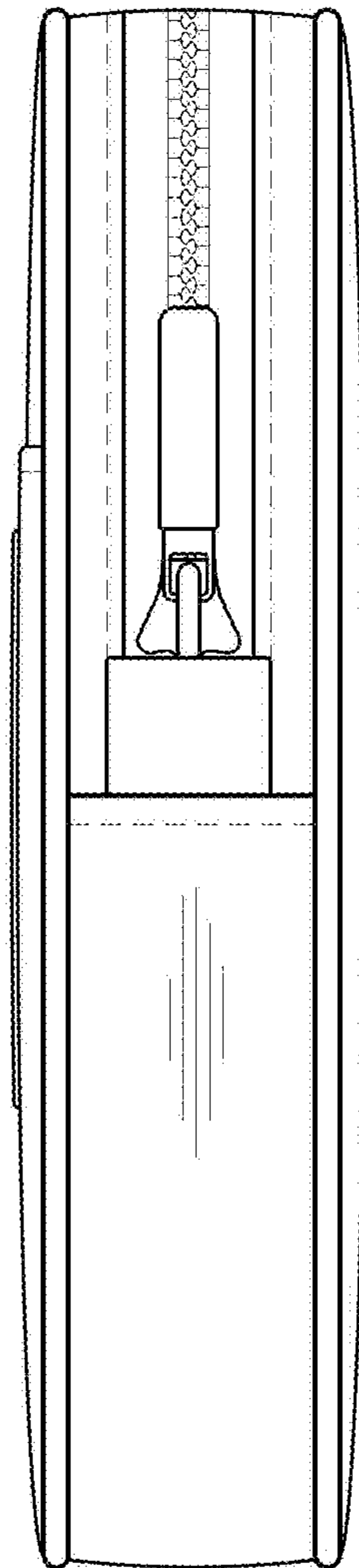


FIG.4

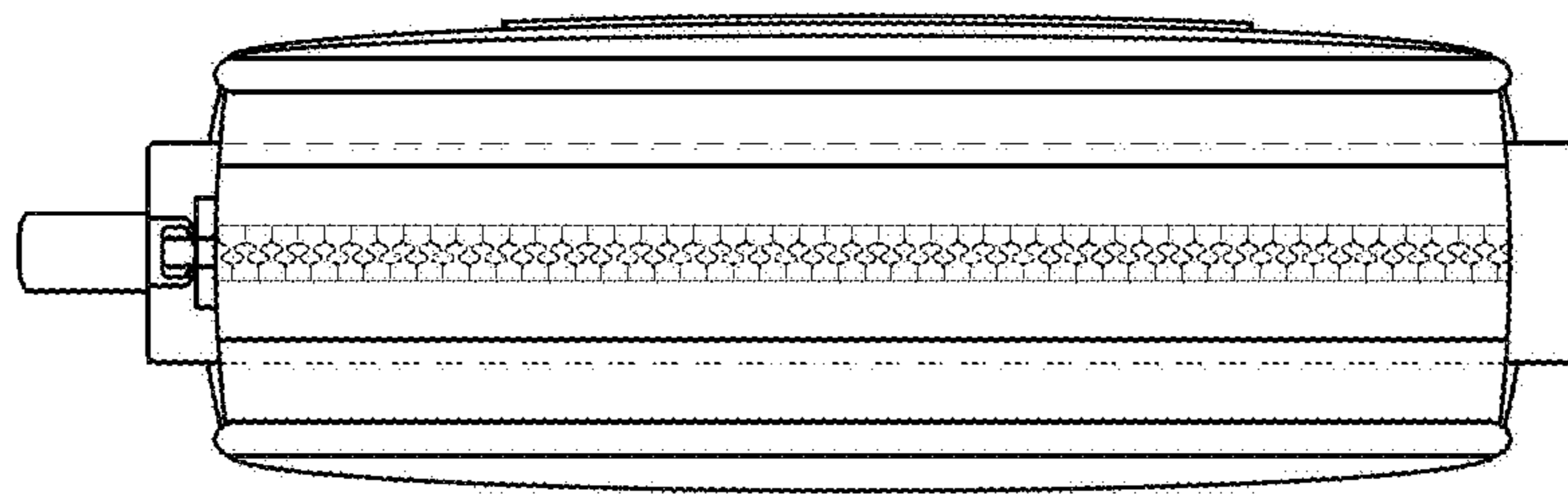


FIG.5

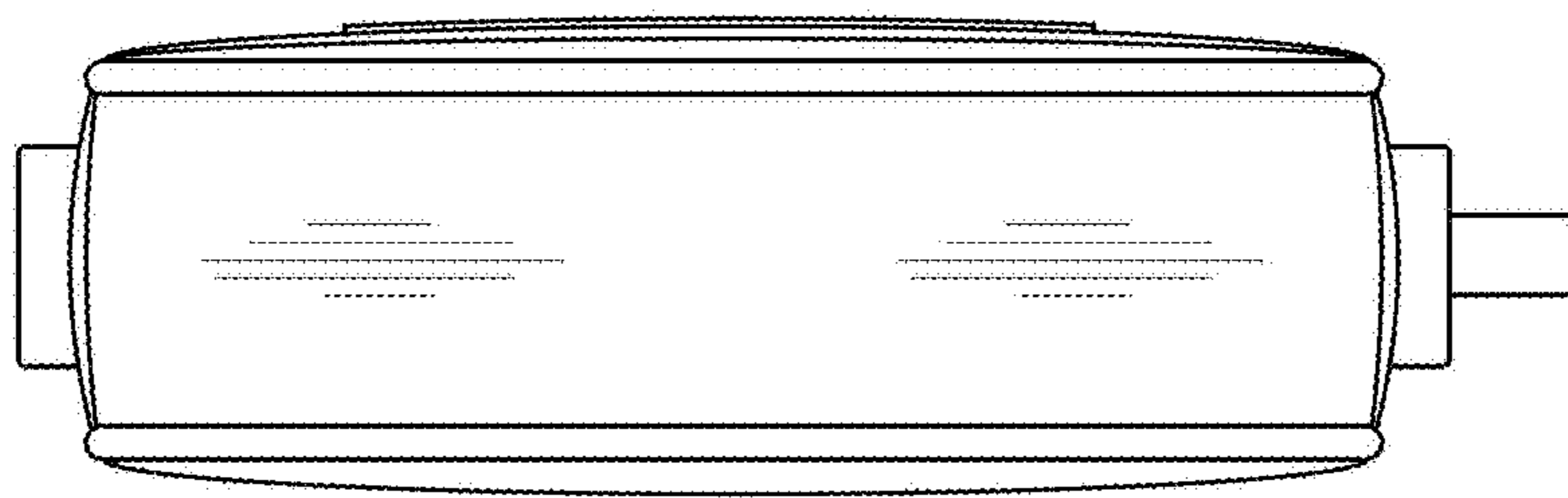


FIG.6

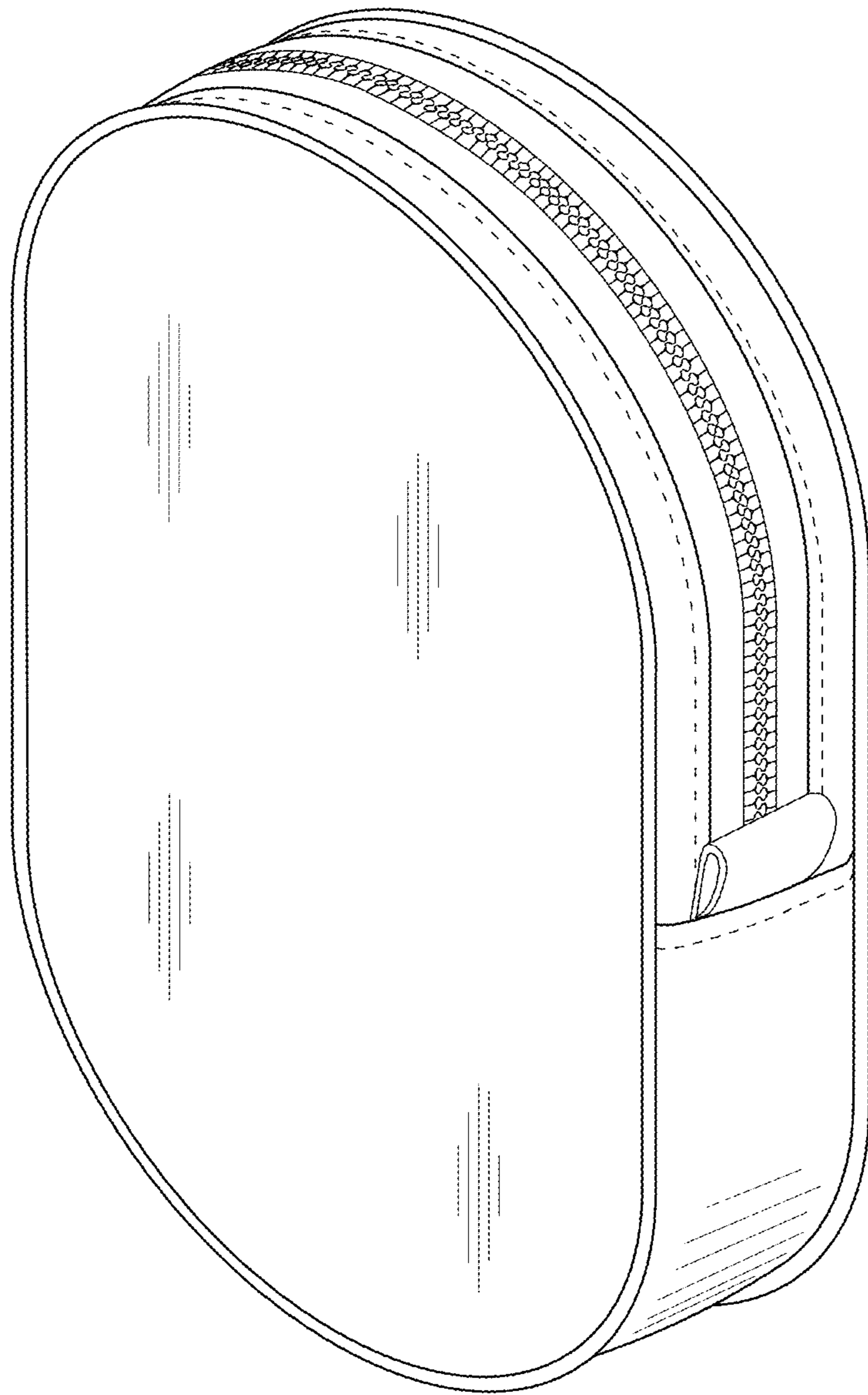


FIG.7

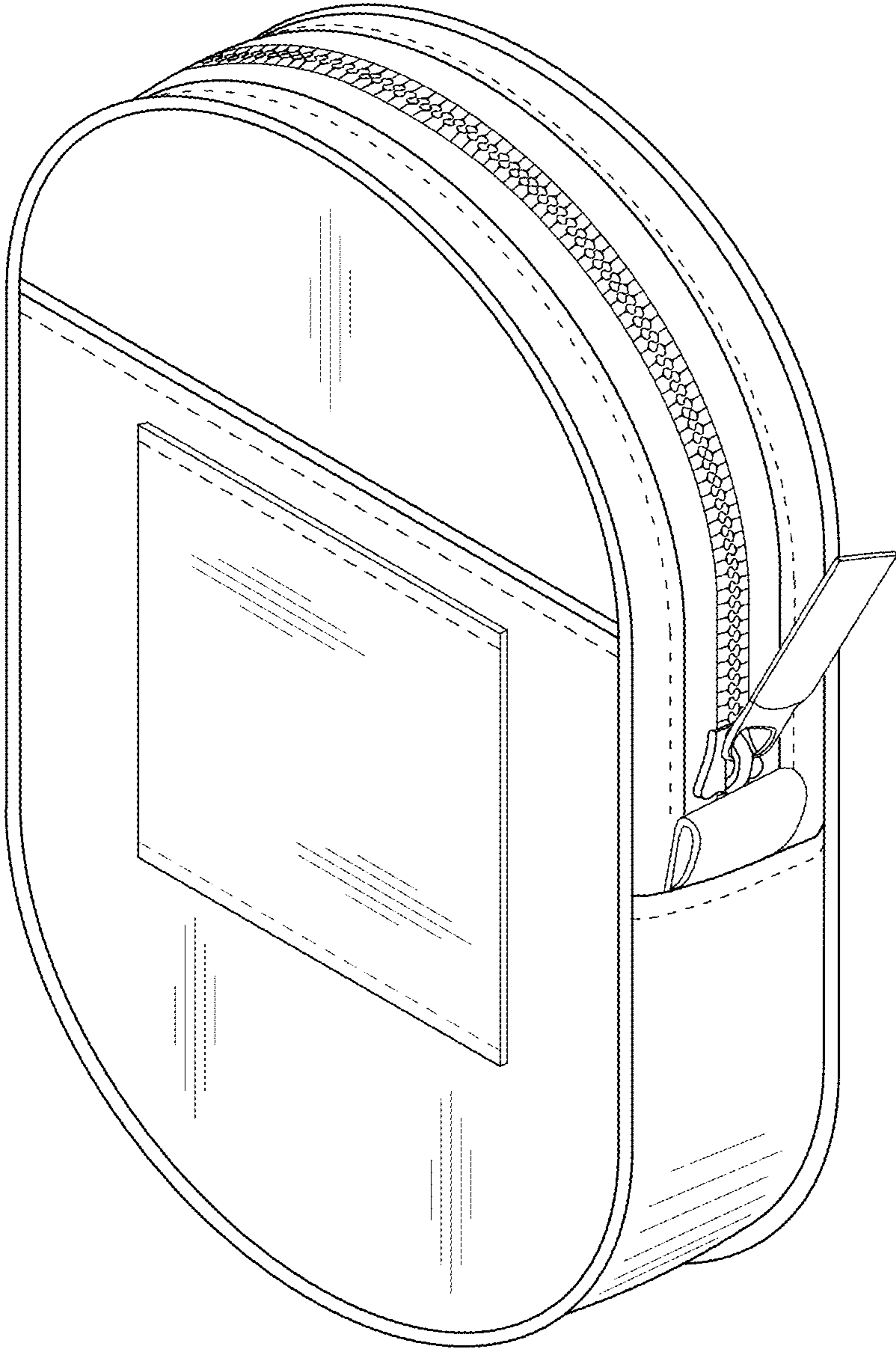


FIG.8

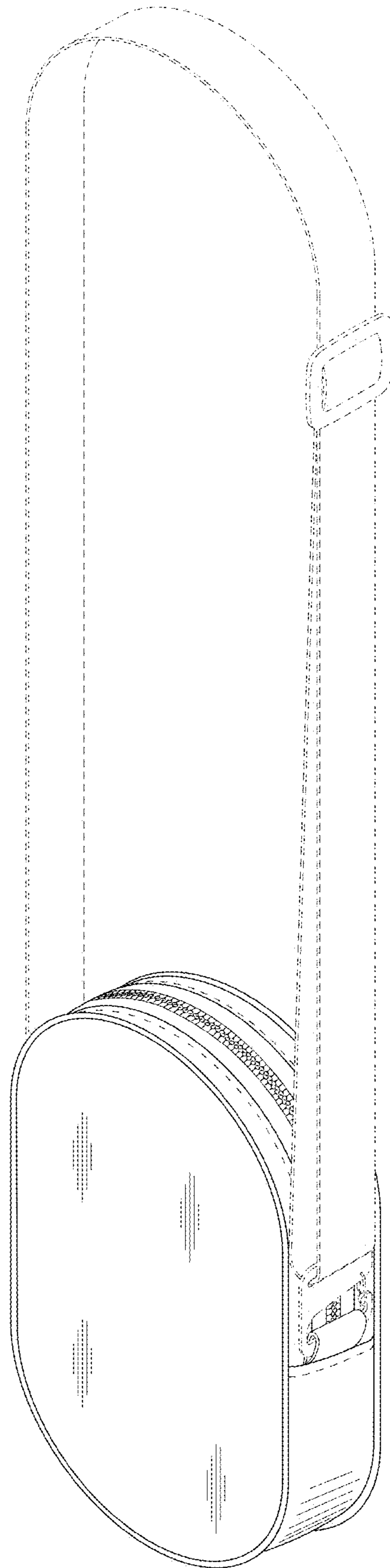


FIG.9

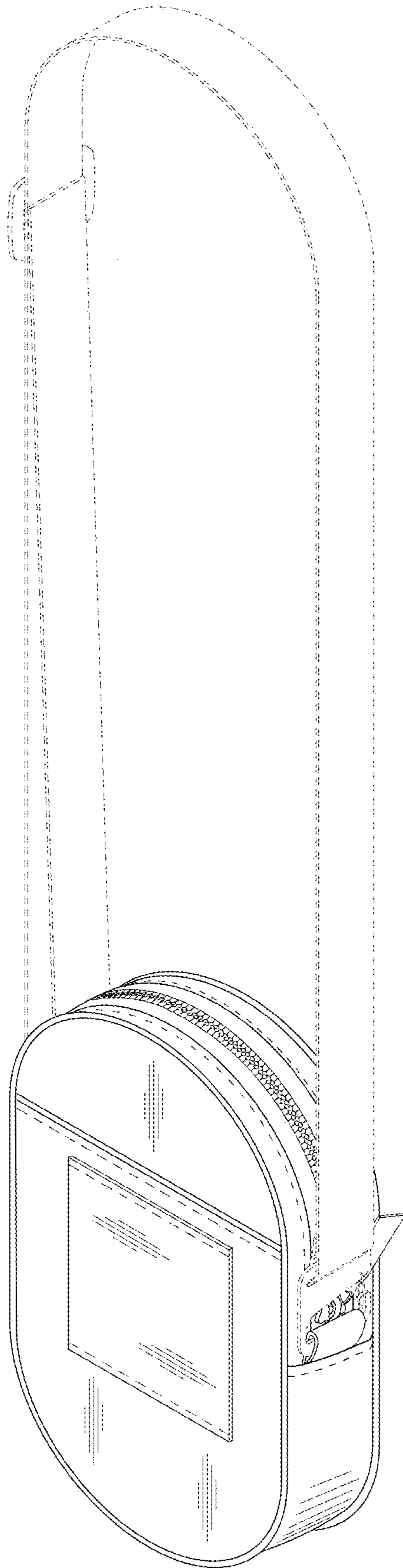


FIG. 10

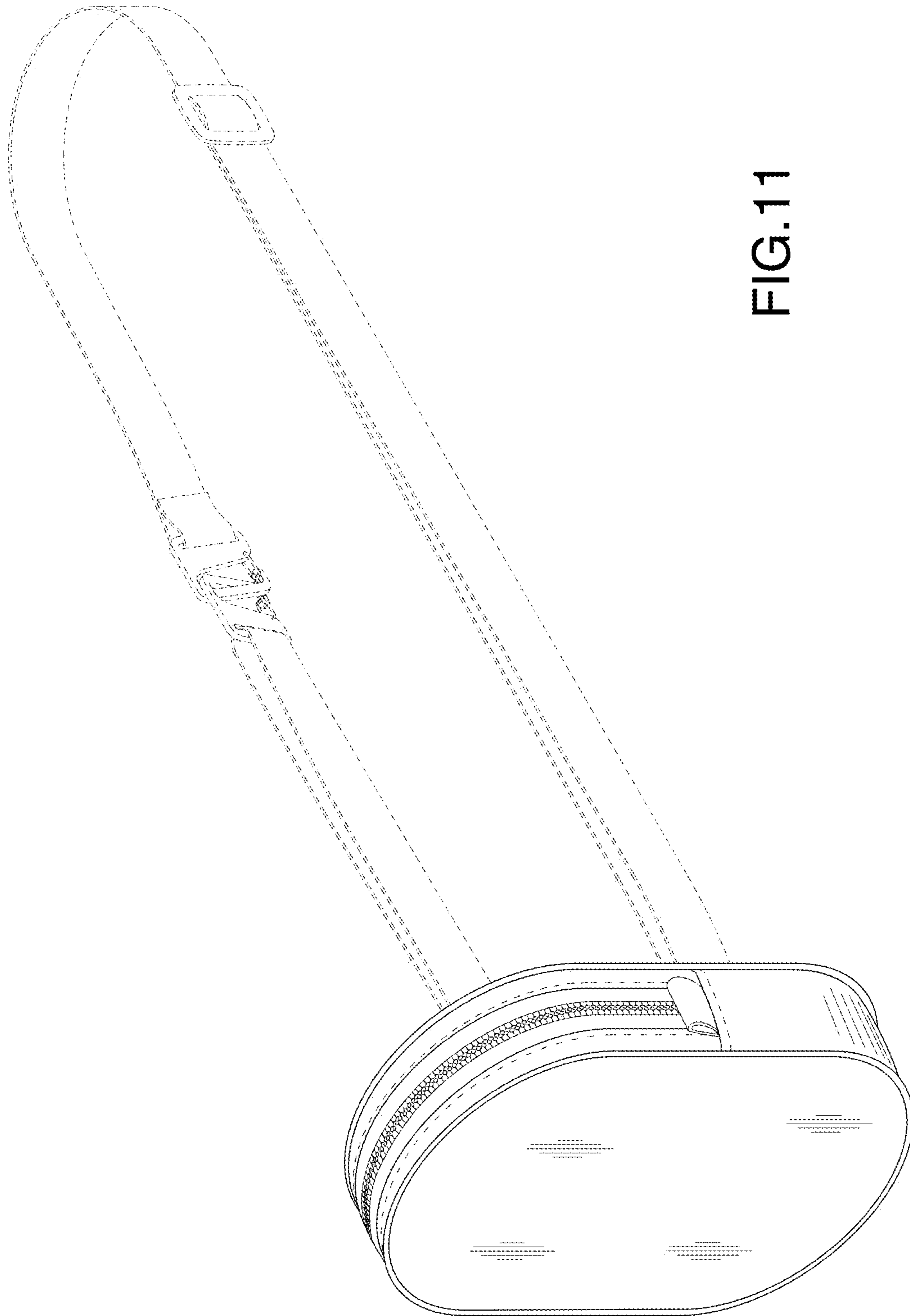


FIG. 11

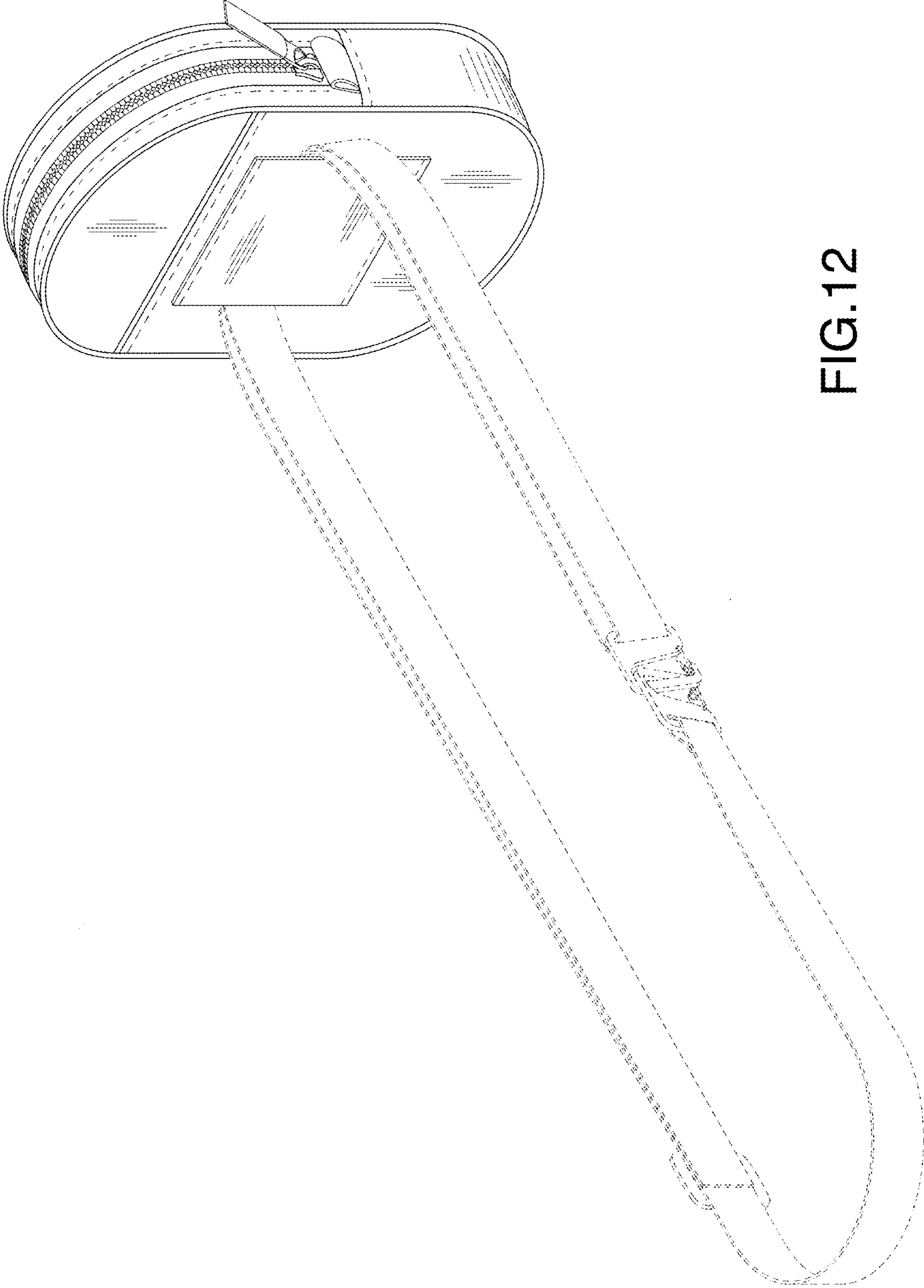


FIG.12