



US0D1064379S

(12) **United States Design Patent** (10) **Patent No.:** **US D1,064,379 S**
Harlan (45) **Date of Patent:** **** Feb. 25, 2025**

(54) **PENDANT**

(71) Applicant: **ARTERIORIS HOME**, Lewisville, TX (US)

(72) Inventor: **Jillian Harlan**, The Colony, TX (US)

(73) Assignee: **ARTERIORIS HOME**, Lewisville, TX (US)

(**) Term: **15 Years**

(21) Appl. No.: **29/885,015**

(22) Filed: **Feb. 17, 2023**

(51) **LOC (15) Cl.** **26-05**

(52) **U.S. Cl.**
USPC **D26/88**

(58) **Field of Classification Search**
USPC D26/88, 80, 81, 82, 83, 84, 85, 86, 87,
D26/89, 90, 91, 118, 128, 135
CPC F21S 8/03; F21S 8/033; F21S 8/036; F21S
8/04; F21S 8/043; F21S 8/046; F21S
8/06; F21S 8/061; F21S 8/063; F21S
8/065; F21S 8/068
See application file for complete search history.

(56) **References Cited**

U.S. PATENT DOCUMENTS

D342,338 S *	12/1993	Thun	D26/88
D419,716 S *	1/2000	Parrochia	D26/118
D601,298 S *	9/2009	Yuan	D26/138
D705,475 S *	5/2014	Kitts	D26/88
D805,238 S *	12/2017	Amato	D26/88
D860,504 S *	9/2019	Coombes	D26/90
D860,508 S *	9/2019	Coombes	D26/88
D870,953 S *	12/2019	Coombes	D26/81
D893,795 S *	8/2020	Amato	D26/118

D953,605 S *	5/2022	Chen	D26/88
D956,329 S *	6/2022	Clark	D26/118
2007/0127234 A1 *	6/2007	Jervey, III	F21V 21/02 362/147

OTHER PUBLICATIONS

“Arteriors—Middlebury Pendant”, no publication date, [online], [retrieved Aug. 5, 2024]. Retrieved from internet, <https://www.arteriorshome.com/middlebury-pendant-dmc26> (Year: 2024).*

“Ralph Lauren—Katie Medium Flush Mount”, no publication date, [online], [retrieved Aug. 5, 2024]. Retrieved from internet, <https://www.ralphlauren.com/home-lighting-ceiling-lights/katie-medium-flush-mount/100001433.html> (Year: 2024).*

(Continued)

Primary Examiner — Darcey E Gottschalk

Assistant Examiner — Bailey M Knotts

(74) *Attorney, Agent, or Firm* — TROUTMAN PEPPER LOCKE LLP

(57) **CLAIM**

The ornamental design for a pendant, as shown and described.

DESCRIPTION

FIG. 1 is a perspective view of a pendant according to this invention;

FIG. 2 is a front view of the pendant shown in FIG. 1, the rear view being a mirror image thereof;

FIG. 3 is a left side view of the pendant shown in FIG. 1, the right side view being a mirror image thereof;

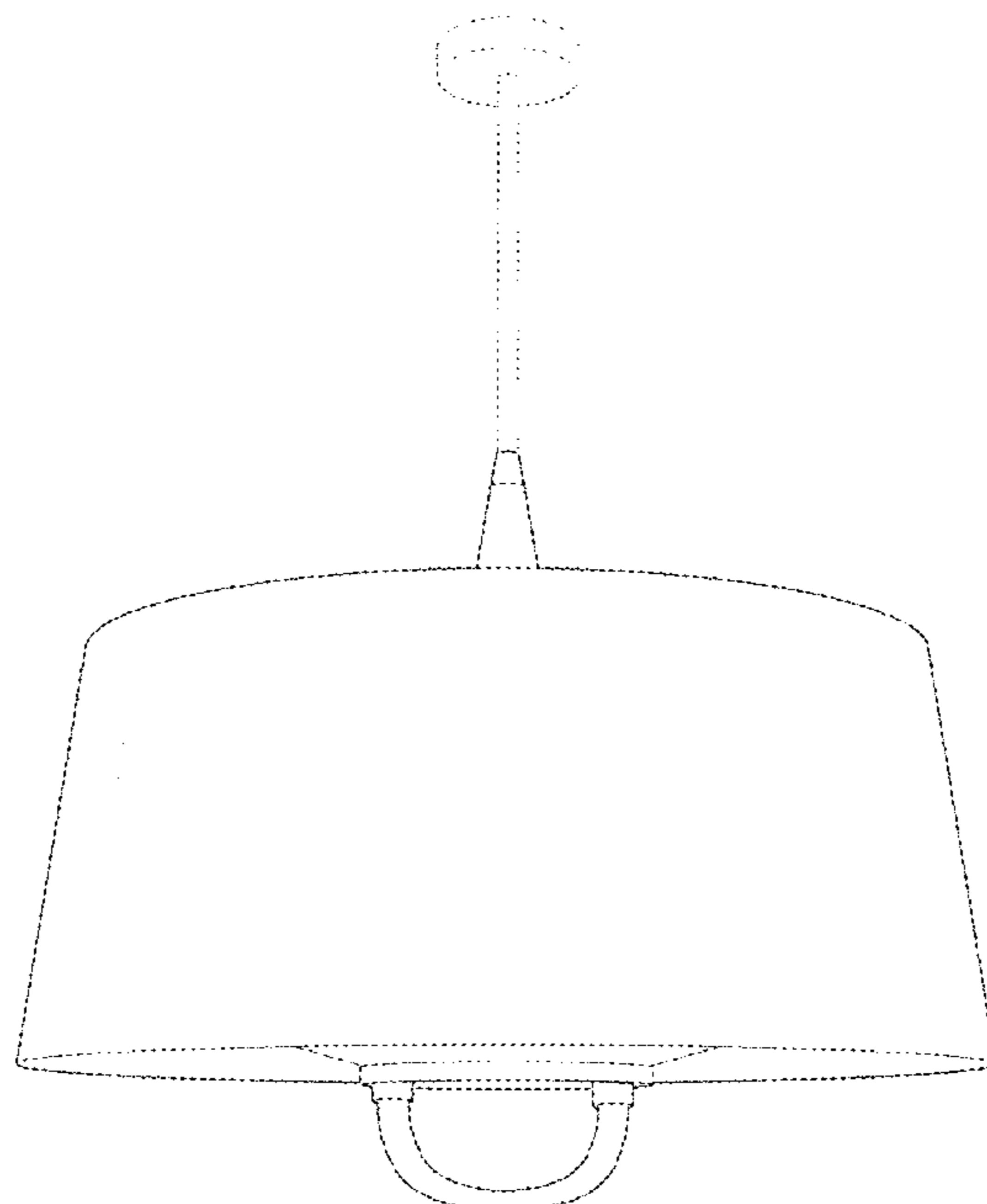
FIG. 4 is a top view of the pendant shown in FIG. 1;

FIG. 5 is a bottom view of the pendant shown in FIG. 1; and,

FIG. 6 is a cross-sectional view of the pendant shown in FIG. 3.

The broken lines show portions of the pendant that form no part of the claimed design.

1 Claim, 6 Drawing Sheets



(56)

References Cited

OTHER PUBLICATIONS

“Elegant lighting—Loop Pendant”, no publication date, [online], [retrieved Aug. 5, 2024]. Retrieved from internet, <https://www.elegantlightma.com/brand-hubbardton-forge/loop-pendant/sku-V65-104230-skt-84-10-sj2811> (Year: 2024).*

“Amazon—Livex Store Blossom—5 Light Pendant”, posted Sep. 30, 2020, [online], [retrieved Aug. 5, 2024]. Retrieved from internet, <https://www.amazon.com/Blossom-Pendant-Traditional-high-Antique-Tradition/dp/B08BJ8GTWD> (Year: 2020).*

* cited by examiner

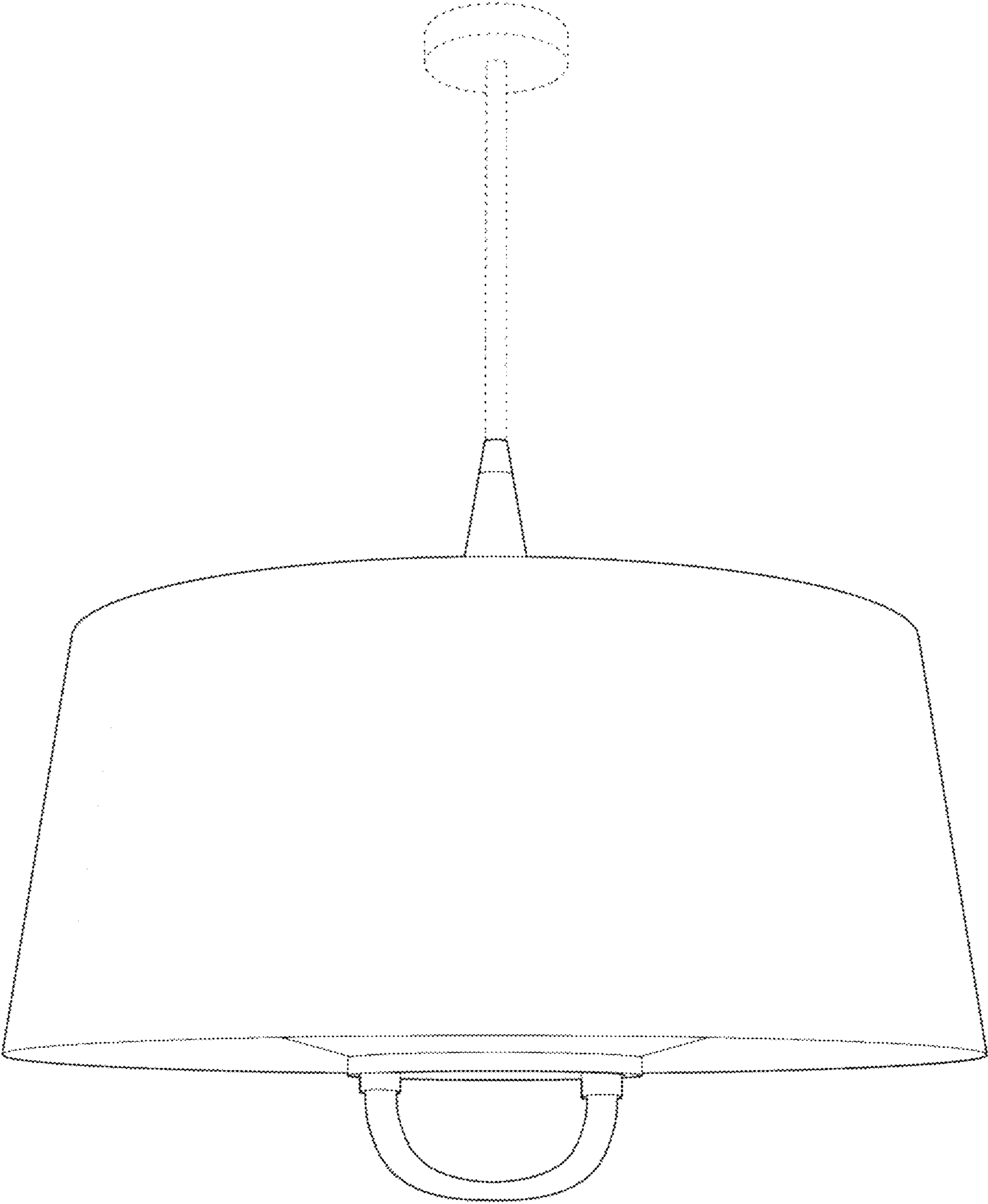


Fig. 1

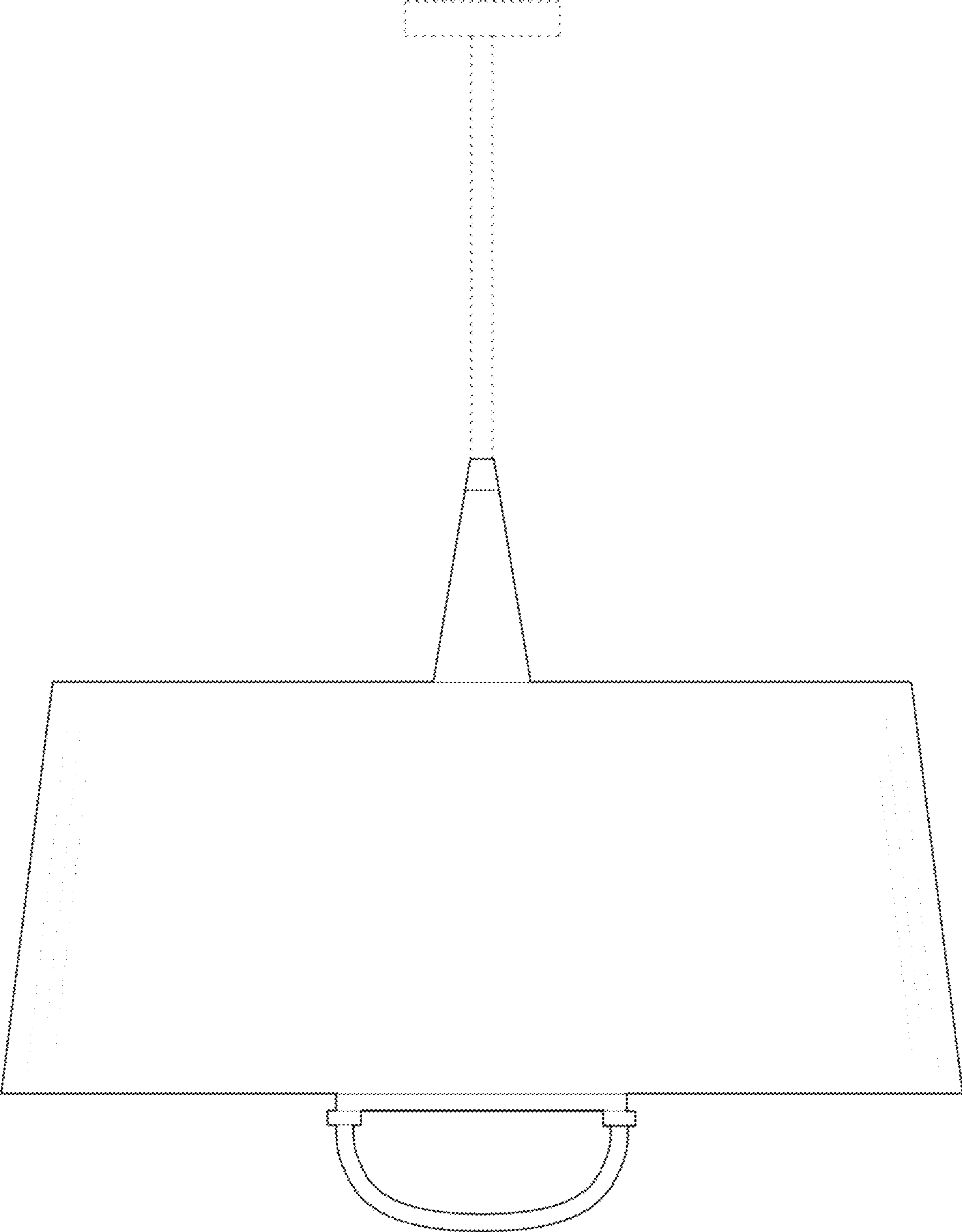


Fig. 2

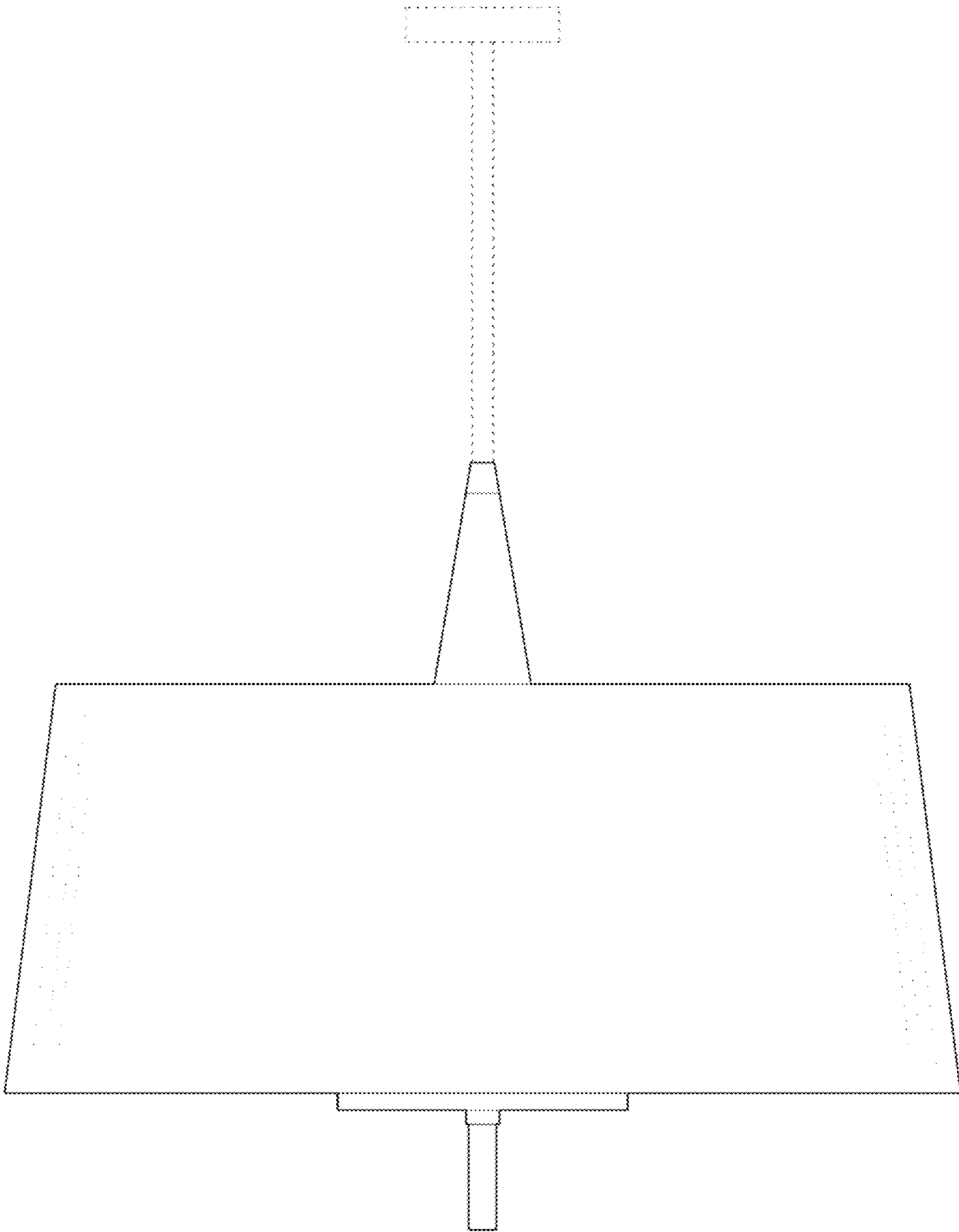


Fig. 3

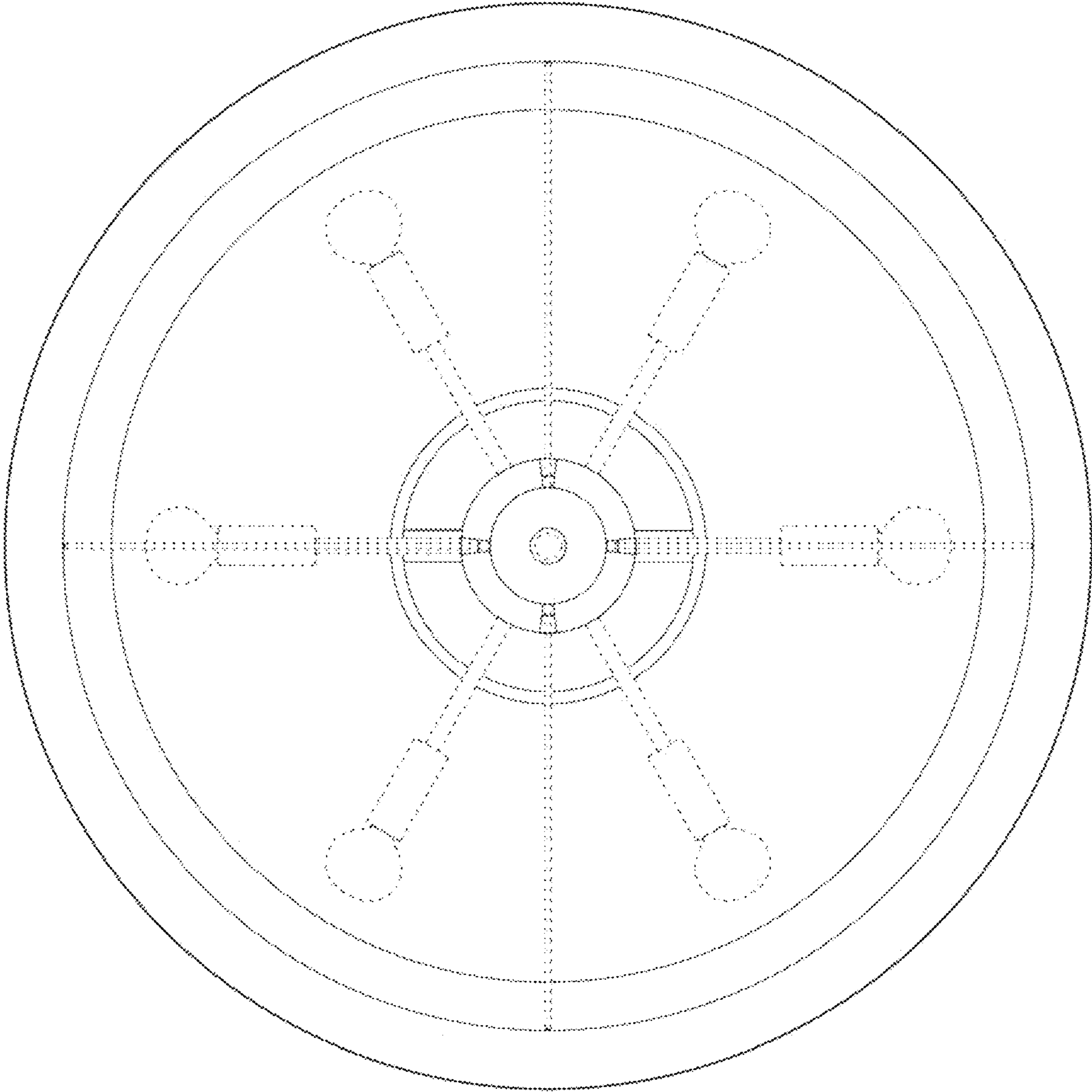


Fig. 4

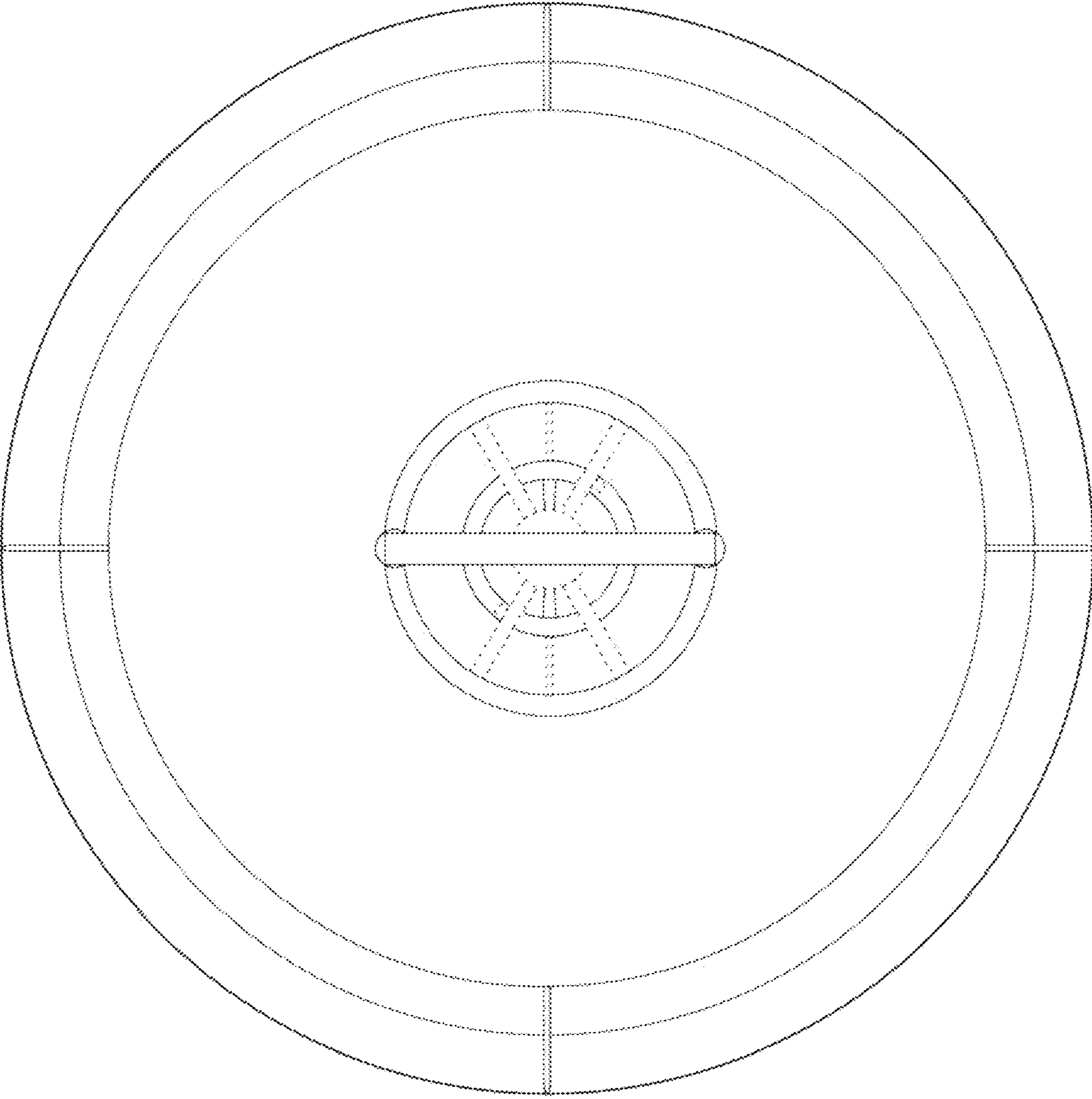


Fig. 5

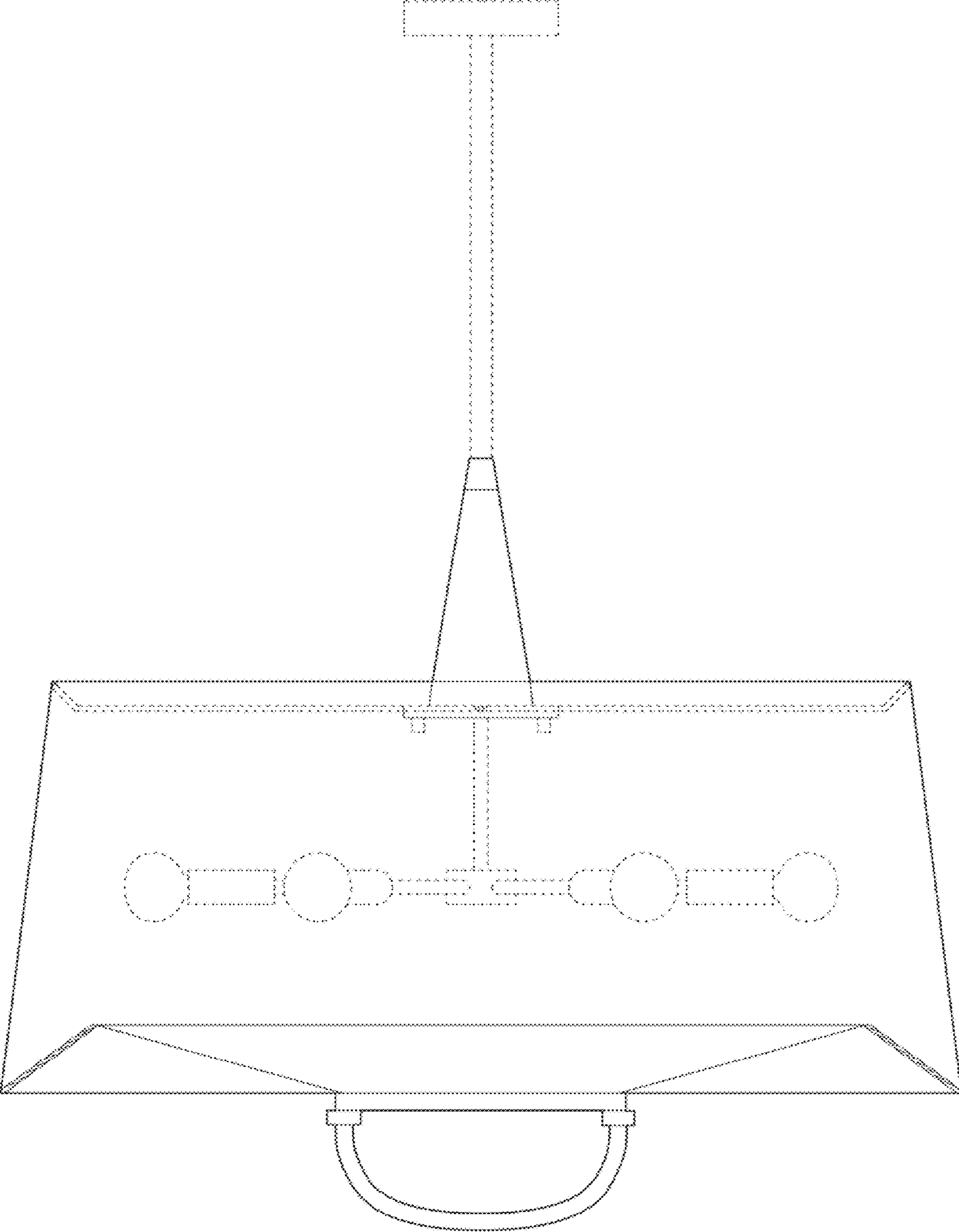


Fig. 6