



US0D1064114S

(12) **United States Design Patent**
Poteet et al.

(10) **Patent No.: US D1,064,114 S**
(45) **Date of Patent: ** Feb. 25, 2025**

(54) **MODEL VEHICLE MOTOR MOUNT**

FOREIGN PATENT DOCUMENTS

(71) Applicant: **TRAXXAS, L.P.**, McKinney, TX (US)

EM 008305460-0004 12/2020
EM 008305460-0005 12/2020

(72) Inventors: **Kent Poteet**, Lucas, TX (US); **Otto Karl Allmendinger**, Rowlett, TX (US); **Adam Cole Ewing**, McKinney, TX (US); **Ross Martin**, Roanoke, TX (US); **Jory Sprowl**, Howe, TX (US)

(Continued)

(73) Assignee: **TRAXXAS, L.P.**, McKinney, TX (US)

(**) Term: **15 Years**

(21) Appl. No.: **29/886,305**

(22) Filed: **Mar. 7, 2023**

(51) **LOC (15) Cl.** **21-01**

(52) **U.S. Cl.**
USPC **D21/561**; D21/562; D21/533

(58) **Field of Classification Search**
USPC D21/561, 562, 563, 565, 424, 495, 533
CPC A63H 17/262; A63H 19/18; B60G 7/003
See application file for complete search history.

OTHER PUBLICATIONS

Amazon Website, hopsubRC Motor Mount, Earliest Comment Date: Aug. 13, 2024 [Website Visited: Oct. 2, 2024] Available on the Internet URL <https://www.amazon.com/dp/B0D6YDM6QR> (Year: 2024).*

(Continued)

Primary Examiner — S. Bryan Reinholdt, Jr.

Assistant Examiner — James T Tyree

(74) *Attorney, Agent, or Firm* — Daryl R. Wright; Greg Carr

(57) **CLAIM**

The ornamental design for a model vehicle motor mount as shown and described.

DESCRIPTION

FIG. 1 is an upper, right, front perspective view of a model vehicle motor mount showing our new design; FIG. 2 is an upper, right, rear perspective view thereof; FIG. 3 is a lower, left, front perspective view thereof; FIG. 4 is a lower, left, rear perspective view thereof; FIG. 5 is a front elevation view thereof; FIG. 6 is a rear elevation view thereof; FIG. 7 is a right side elevation view thereof; FIG. 8 is a left side elevation view thereof; FIG. 9 is an upper plan view thereof; and, FIG. 10 is a lower plan view of the model vehicle motor mount.

The broken lines and the areas within them depict portions of the model vehicle motor mount that form no part of the claimed design.

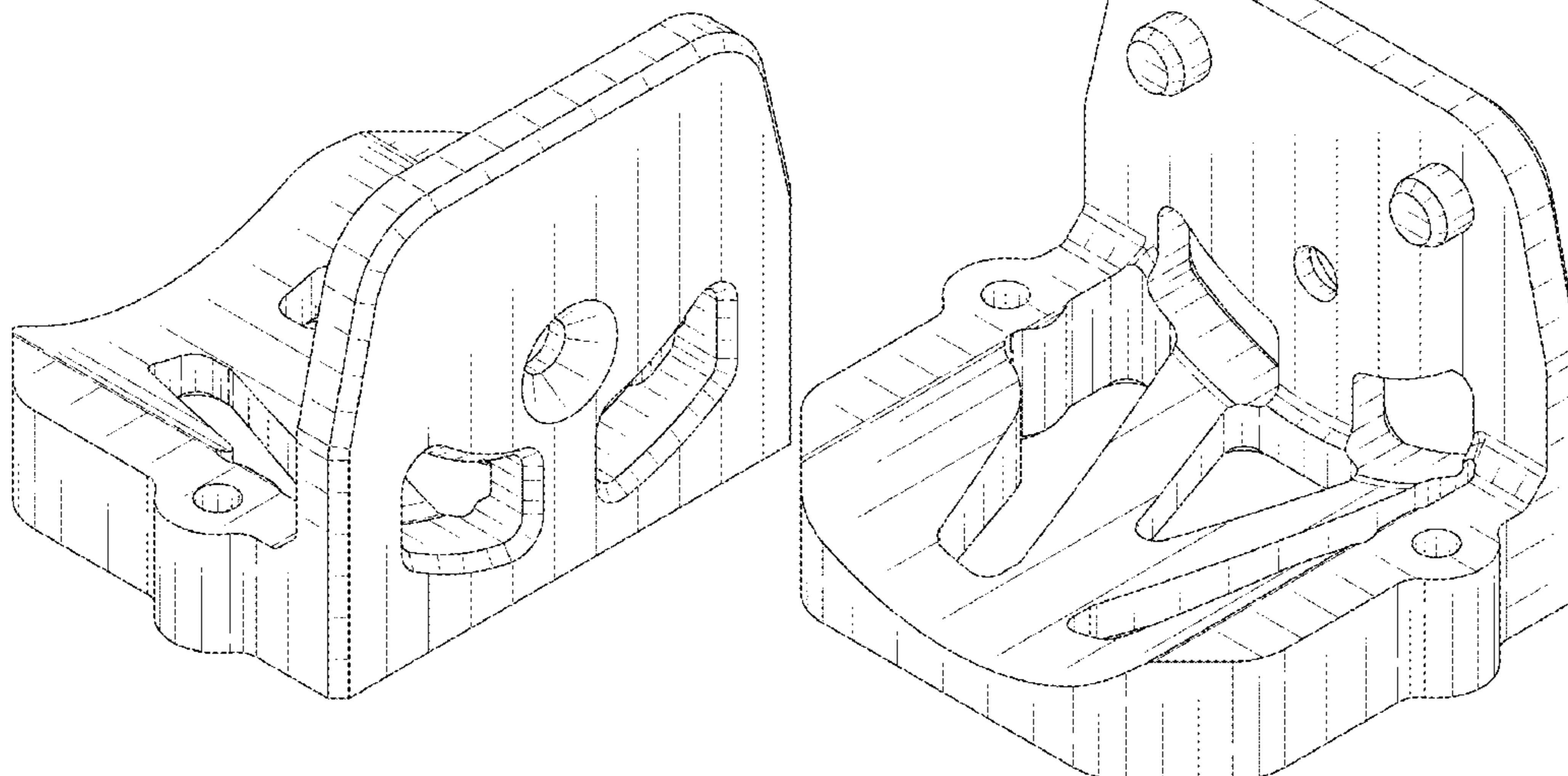
(56) **References Cited**

U.S. PATENT DOCUMENTS

D219,362 S	12/1970	Snyder	
3,829,117 A	8/1974	Park	
D246,921 S *	1/1978	Moline D12/345
D250,465 S	12/1978	Morrison	
D279,329 S	6/1985	Dzak	
D279,426 S	7/1985	Dzak	
D300,913 S	5/1989	Kamaya	
D304,472 S *	11/1989	Poulsen D21/561
D309,930 S	8/1990	Asaeda	
D317,336 S	6/1991	Tsuchiya	
5,131,701 A	7/1992	Stepniewski	
D332,978 S	2/1993	Tsuchiya	
D332,979 S	2/1993	Tsuchiya	
D348,911 S	7/1994	Herrick et al.	
5,338,247 A	8/1994	Miles	

(Continued)

1 Claim, 7 Drawing Sheets



(56)

References Cited

U.S. PATENT DOCUMENTS

D375,037 S 10/1996 Toenders
 D403,023 S 12/1998 Araki
 D411,263 S 6/1999 Korsholm
 D412,478 S 8/1999 Chen
 D475,001 S 5/2003 Roll
 D477,268 S 7/2003 Baynes
 D493,848 S 8/2004 Dunst
 6,779,755 B1 8/2004 Thomsen
 6,793,227 B1 9/2004 Weisgerber et al.
 D503,658 S 4/2005 Lu
 D513,223 S 12/2005 Saito et al.
 D521,572 S 5/2006 Yuen
 D521,899 S 5/2006 Walden
 D523,775 S 6/2006 Walden
 D523,776 S 6/2006 Walden
 D524,880 S 7/2006 Yuen
 D534,593 S 1/2007 Yuen
 D538,861 S 3/2007 Takahashi
 D545,246 S 6/2007 Kroeker
 D545,721 S 7/2007 Hacker et al.
 D549,787 S 8/2007 Chen
 D550,311 S 9/2007 Chen
 7,281,600 B2 10/2007 Chernoff et al.
 D556,648 S 12/2007 Nelson et al.
 D564,410 S 3/2008 Lepage
 D567,886 S 4/2008 Lampert et al.
 D570,735 S 6/2008 Ogihara
 D577,083 S 9/2008 Nakayama
 D586,695 S 2/2009 Burns
 D586,696 S 2/2009 Burns
 D593,616 S 6/2009 Asai
 D597,151 S 7/2009 Ishikawa
 D639,207 S 6/2011 Danisi
 D642,090 S 7/2011 Karacabey et al.
 D642,091 S 7/2011 Karacabey et al.
 D642,960 S 8/2011 Berrier
 D647,002 S 10/2011 Mullen
 D648,250 S 11/2011 Nosworthy
 D651,133 S 12/2011 Liebl
 D651,947 S 1/2012 Hsu
 D655,236 S 3/2012 Sanschagrín
 D655,668 S 3/2012 Levorato et al.
 D681,542 S 5/2013 Oliver
 D690,372 S 9/2013 Fujiwara
 D691,523 S 10/2013 Waugh et al.
 D722,542 S 2/2015 Ikeda
 D727,802 S 4/2015 Sung et al.
 D758,281 S 6/2016 Galloway
 D761,713 S 7/2016 Hensley
 D766,157 S 9/2016 Reynolds et al.
 D778,784 S 2/2017 Hirooka
 D780,643 S 3/2017 Hare
 D781,207 S 3/2017 Johnson
 D783,502 S 4/2017 Hensley
 D783,503 S 4/2017 Hensley
 D783,726 S 4/2017 Williams et al.
 D798,906 S * 10/2017 Bennett D15/5
 D802,685 S 11/2017 Barajas et al.
 D810,148 S 2/2018 Loew et al.
 D816,009 S 4/2018 Reynolds et al.
 D818,415 S 5/2018 Haws
 D820,072 S 6/2018 Choi
 D820,736 S 6/2018 Vaarsi
 D822,126 S 7/2018 Allmendinger et al.
 D826,831 S 8/2018 Eck et al.
 D829,831 S 10/2018 Redlin et al.
 D836,501 S 12/2018 Mori
 D844,070 S 3/2019 Christensen et al.
 D851,183 S 6/2019 Wood et al.
 D863,171 S 10/2019 Harriton et al.
 D867,475 S 11/2019 Ewing et al.
 D875,848 S 2/2020 Wood et al.
 D887,359 S 6/2020 McCoy, Jr.
 D902,088 S 11/2020 Nakamura et al.
 D902,091 S * 11/2020 Ewing D12/159

D923,115 S * 6/2021 Ewing D21/562
 11,058,275 B2 7/2021 Hopkins et al.
 D935,532 S 11/2021 Ewing
 D940,254 S 1/2022 Lin
 D945,897 S * 3/2022 Brumbach D13/168
 D951,150 S * 5/2022 Ewing D12/159
 D951,299 S 5/2022 Nyren
 D952,051 S 5/2022 Xu
 D952,052 S 5/2022 Xu
 D954,612 S * 6/2022 Owens D12/160
 D956,886 S 7/2022 Xing et al.
 D964,482 S 9/2022 Ewing et al.
 D966,952 S 10/2022 Boaz et al.
 D967,288 S 10/2022 Li
 D975,204 S 1/2023 Xu
 D992,049 S 7/2023 Yang et al.
 D992,050 S 7/2023 Yang et al.
 D992,051 S 7/2023 Yang et al.
 D992,052 S 7/2023 Yang et al.
 D992,053 S 7/2023 Yang et al.
 D992,054 S 7/2023 Yang et al.
 D996,528 S * 8/2023 Christensen D21/562
 D996,529 S 8/2023 Allmendinger et al.
 D1,019,480 S * 3/2024 Collins D12/160
 D1,025,847 S * 5/2024 Collins D12/162
 D1,030,910 S * 6/2024 Poteet D21/495
 D1,040,255 S * 8/2024 Ewing D21/561
 2013/0117960 A1 5/2013 Lee
 2014/0227941 A1 8/2014 Suzuki
 2018/0070789 A1 3/2018 LaBarbera et al.
 2021/0283517 A1 9/2021 Rydwell
 2023/0219010 A1 7/2023 Christensen et al.

FOREIGN PATENT DOCUMENTS

EM 015031331-0039 * 9/2023
 GB 6228966 * 10/2022
 GB 6307599 * 9/2023

OTHER PUBLICATIONS

Amazon Website, Qloi-LeUe Motor Mount, No Available Date [Website Visited: Oct. 2, 2024] Available on the Internet URL <https://www.amazon.com/dp/B0CXJ2JYWS/> (Year: 2024).
 Traxxas Website, Traxxas Aluminum Motor Mounts, No Available Date [Website Visited: Oct. 2, 2024] Available on the Internet URL <https://traxxas.com/products/parts/7760-GRN> (Year: 2024).
 Traxxas 7760 Orange Aluminum Front & Rear Motor Mounts, available at ebay.com, no date found [online], [site visited Apr. 16, 2024], Internet URL: <https://www.ebay.com/itm/256250318339> (Year: 2024).
 Axial SCX10 II 2000 Jeep Cherokee 1/10th Scale Electric 4WD-RTR; <http://www.axialracing.com/products/ax90047/>; Aug. 2016.
 Axial SCX10 Deadbolt 1/10th Scale Electric 4WD-RTR; <http://www.axialracing.com/products/ax90044/>; Aug. 2016.
 Tibus Off-Road Engineering; Land Rover Defender; <http://www.tibus-offroad.com/en/products/bolt-on-portals/land-rover/>; Aug. 2016.
 HPI Racing; HPI Venture FJ Cruiser; <http://www.hpiracing.com/en/article/view/2016012702>; Aug. 2016.
 Traxxas; Slash 4x4 Overview; Oct. 2009.
 Tamiya 58647 1:10 RC M-07 Con. WB225/239 Remote Control Car Vehicle Model, Sep. 15, 2017, Amazon.co.uk, Sep. 22, 2021, URL: <https://www.amazon.co.uk/Tamiya-M-07-Concept-Chassis-58647/dp/B06ZY297CC> (Year: 2017).
 Tamiya 57986" 1:10 RC TT-02 Chassis First Try On-Road Vehicle, Aug. 19, 2016, Amazon.co.uk, Sep. 22, 2021, URL: <https://www.amazon.co.uk/Tamiya-57986-10-RC-Chassis-First/dp/B01JLF7GB0> (Year: 2016).
 Newrice Remote Control Car Building Blocks Kit, 1:12 Scale MOC Off-Road Vehicle, May 25, 2021, Amazon.co.uk, Sep. 22, 2021, URL: <https://www.amazon.co.uk/NEWRICE-Remote-Control-Building-Blocks/dp/B0912YKHM4> (Year: 2021).
 New Heavy-Duty Chassis Brace, available on traxxas.com, published Aug. 26, 2020, [site visited Jan. 24, 2022], URL: <https://traxxas.com/news/new-chassis-brace> (Year: 2020).

(56)

References Cited

OTHER PUBLICATIONS

Traxxas Heavy-Duty Chassis Brace, available on rccaraction.com, updated Aug. 27, 2020, [site visited Jan. 24, 2022], URL: <https://www.rccaraction.com/traxxas-heavy-duty-chassis-brace-for-the-slash-4x4-rustler-4x4> (Year: 2020).

HD Chassis Brace, available on web.archive.org, captured Sep. 27, 2020, [site visited Jan. 24, 2022], URL: <https://web.archive.org/web/20200927005210/https://traxxas.com/products/parts/6730X?t=overview> (Year: 2020).

RC Update—Traxxas Heavy-Duty Chassis Brace, available on Youtube.com, date posted Sep. 15, 2020, [site visited Jan. 24, 2022], URL: <https://www.youtube.com/watch?v=jDGkrXluKyY> (Year: 2020).

Traxxas Rustler/Slash 4x4 LCG Chassis, available on hobbytown.com, product added to catalog Feb. 17, 2021, [site visited Jan. 24, 2022], URL: <https://www.hobbytown.com/traxxas-rustler-slash-4x4-lcg-chassis-brace-kit-green-tra6730g/p1254464> (Year: 2021).

Traxxas 6730G—Chassis Brace Kit, available on amazon.com, oldest customer review Apr. 12, 2021, [site visited Jan. 24, 2022], URL: <https://www.amazon.com/Traxxas-6730G-Chassis-Brace-Aluminum/dp/B08P6V5M9B/> (Year: 2021).

Aluminum Center Brace Bar & Mount, available on amazon.com, [site visited Jan. 24, 2022], URL: <https://www.amazon.com/Aluminum-Center-Brace-Traxxas-90076-4/dp/B08P4TJ73J> (Year: 2022).

Cusco Front Power Brace, available on tf-works.com, [site visited Jan. 24, 2022], URL: <https://www.tf-works.com/cusco-front-power-brace-for-2013-scion-frs-subaru-brz/> (Year: 2022).

Traxxas Slash 4x4 (LCG) Chassis Brace, available on ebay.com, last updated Mar. 3, 2021, [site visited Jan. 24, 2022], URL: <https://www.ebay.com/itm/392047539576> (Year: 2021).

Cusco Body Reinforcement Parts for Toyota GR Yaris, available on easycars.jp, [site visited Jan. 24, 2022], URL: <https://easycars.jp/product/cusco-bodye-for-toyota-gr-yaris/> (Year: 2022).

TBR Aluminum T2T Tower to Tower, available on tboneracing.net, oldest customer review Oct. 2, 2019, [site visited Jan. 24, 2022], URL: <https://tboneracing.net/products/10109-tbr-aluminum-t2t-tower-to-tower-brace-arrma-kraton-talion-6s-blx> (Year: 2019).

Chassis Brace KIT Blue, available on amazon.com, oldest customer review Dec. 5, 2020, [site visited Jan. 24, 2022], URL: <https://www.amazon.com/Traxxas-Chassis-Brace-KIT-Blue/dp/B08LCM122P/> (Year: 2020).

Wendland, Louis C., U.S. Pat. No. D. 058,959 S, Patented Sep. 6, 1921.

Trego, Frank H., U.S. Pat. No. D. 042,406 S, Patented Apr. 9, 1912.

Traxxas Sledge Aluminum Chassis (Blue), as shown in www.hobbytown.com, Jun. 30, 2022 (Year: 2022).

Traxxas Sledge 6S Green Brushless 1:8 Auto RC Truggy 4WD (4WD) Ready to Run (RTR) 2.4GHz, as shown in www.amazon.com.be, Aug. 18, 2022, ASIN B0B59PV1C9 (Year: 2022).

* cited by examiner

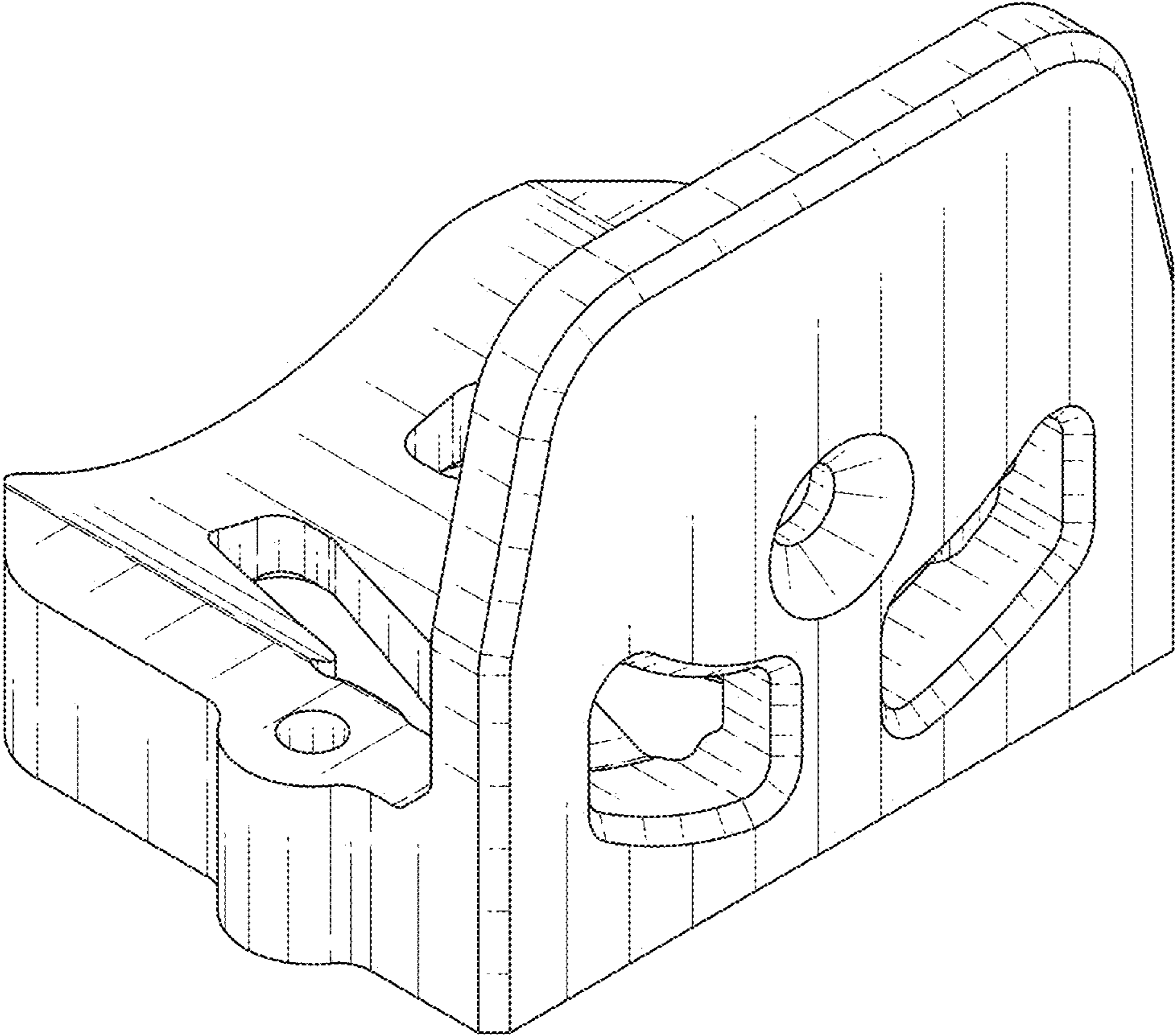


FIG. 1

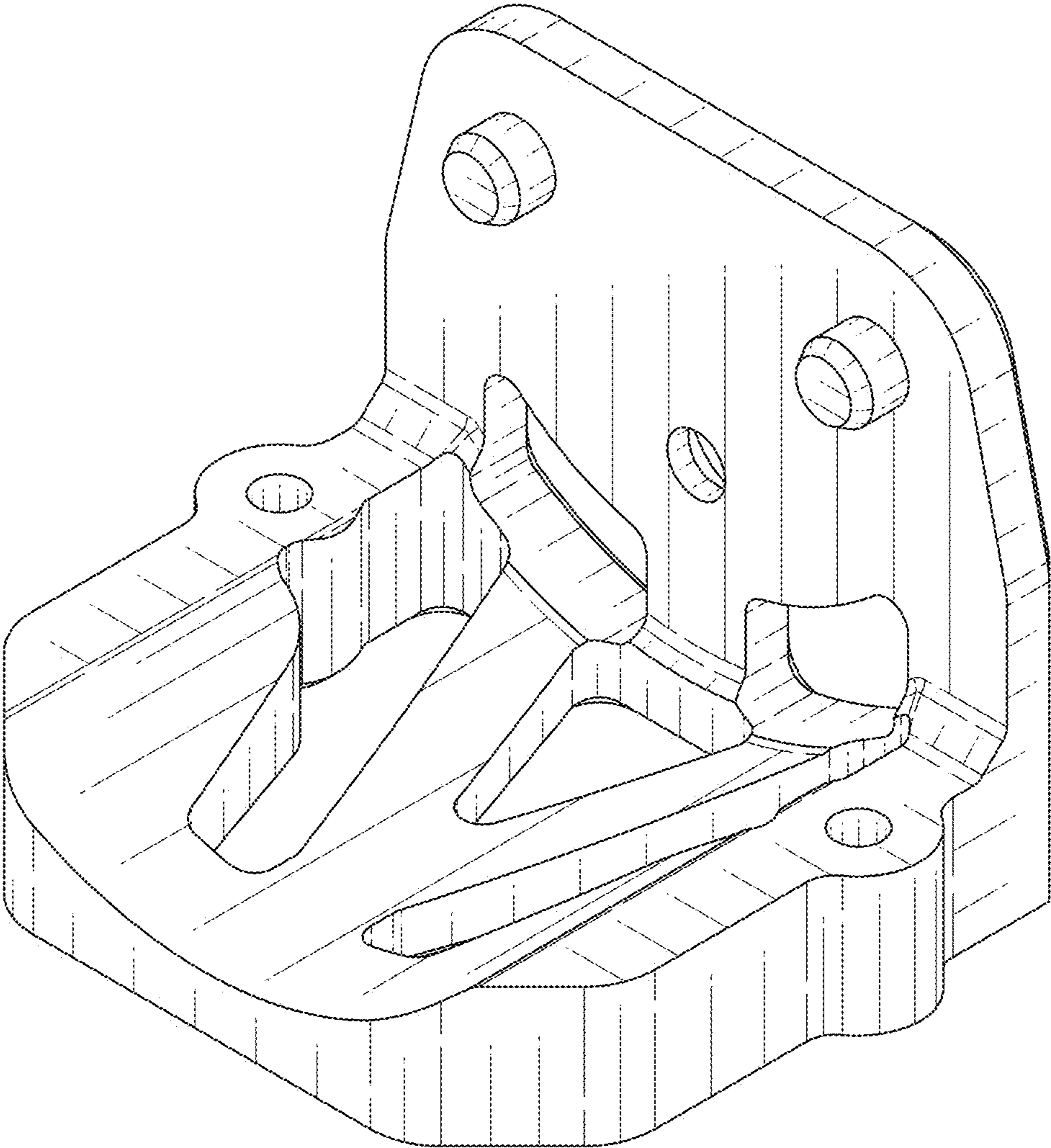


FIG. 2

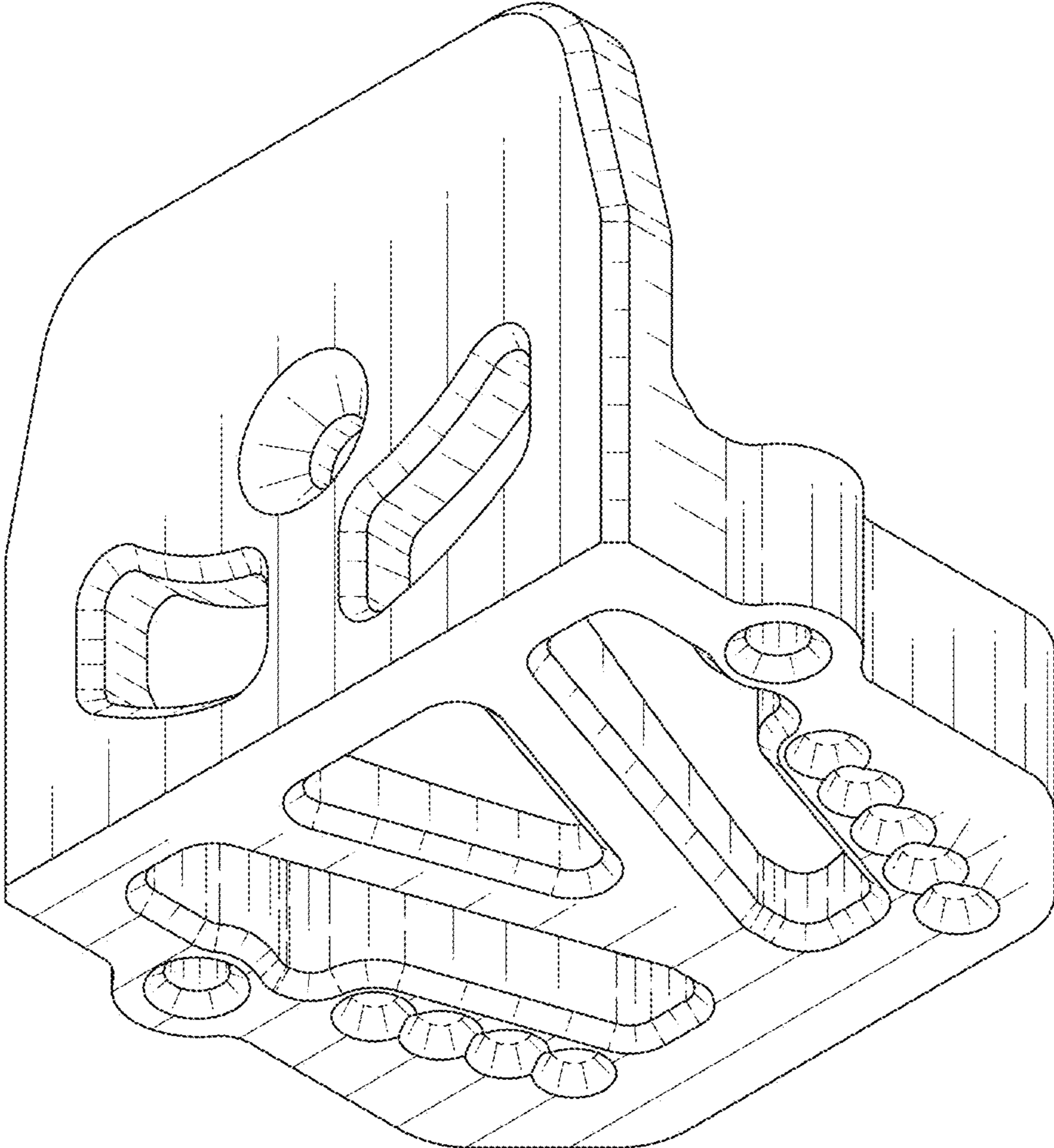


FIG. 3

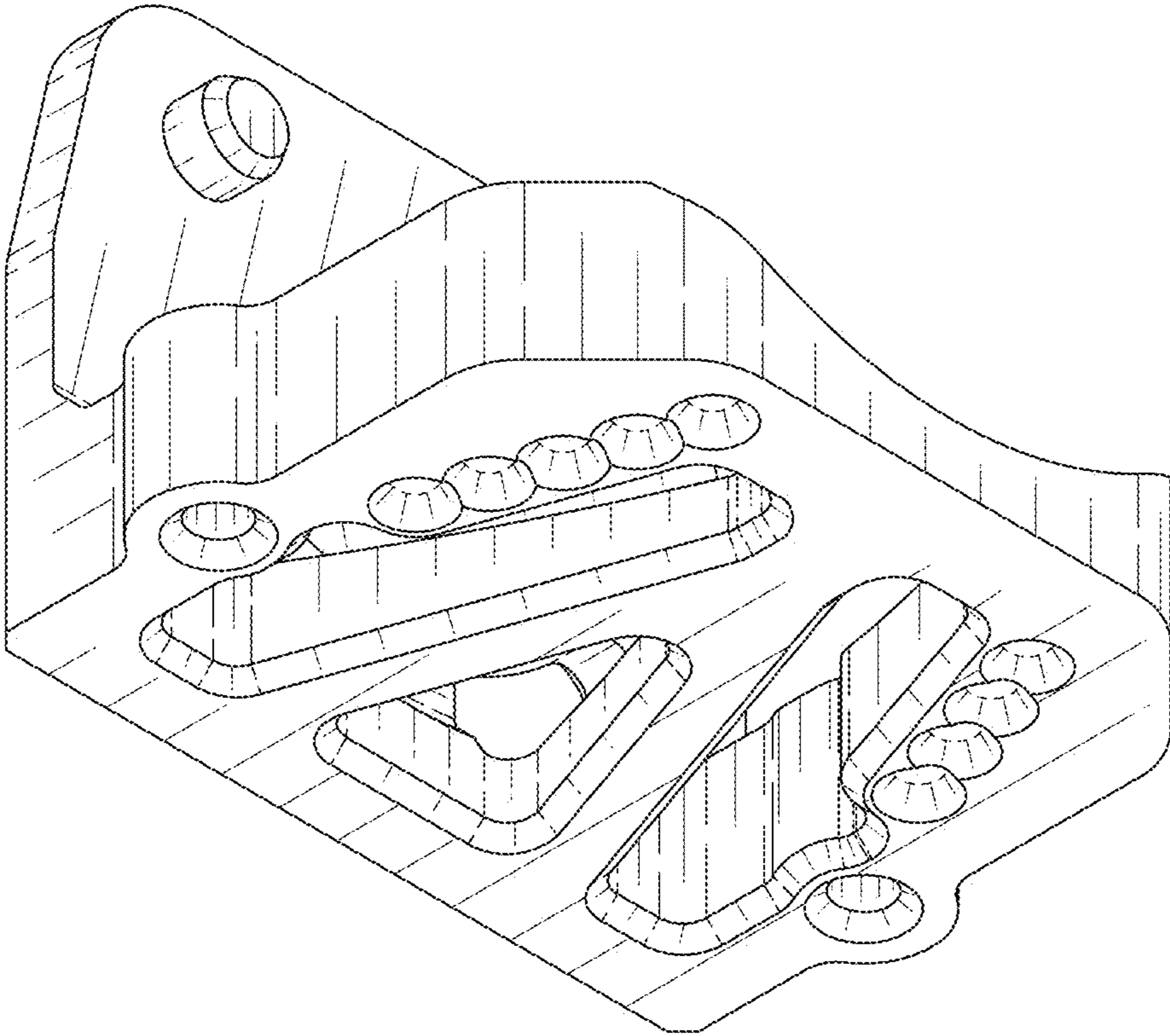


FIG. 4

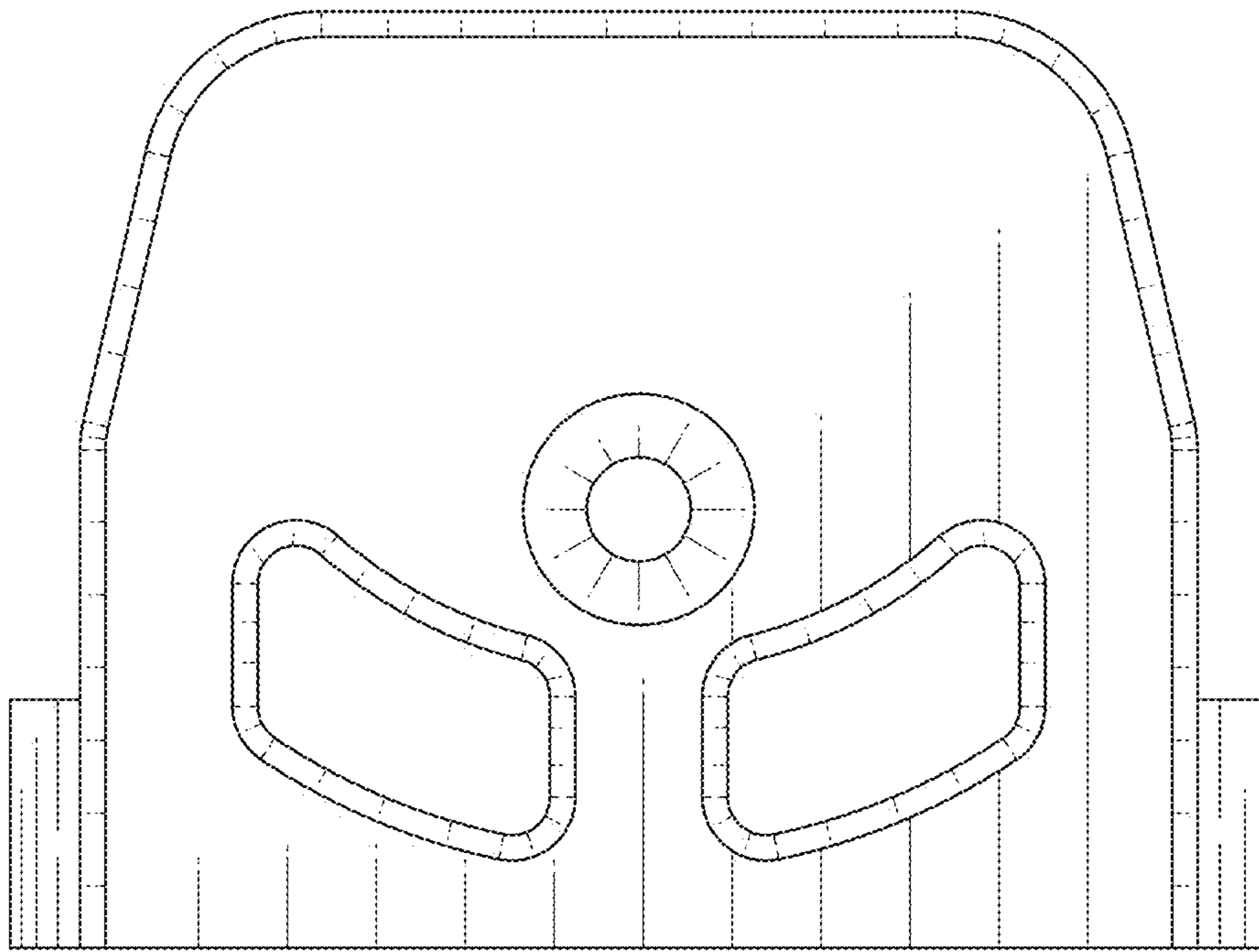


FIG. 5

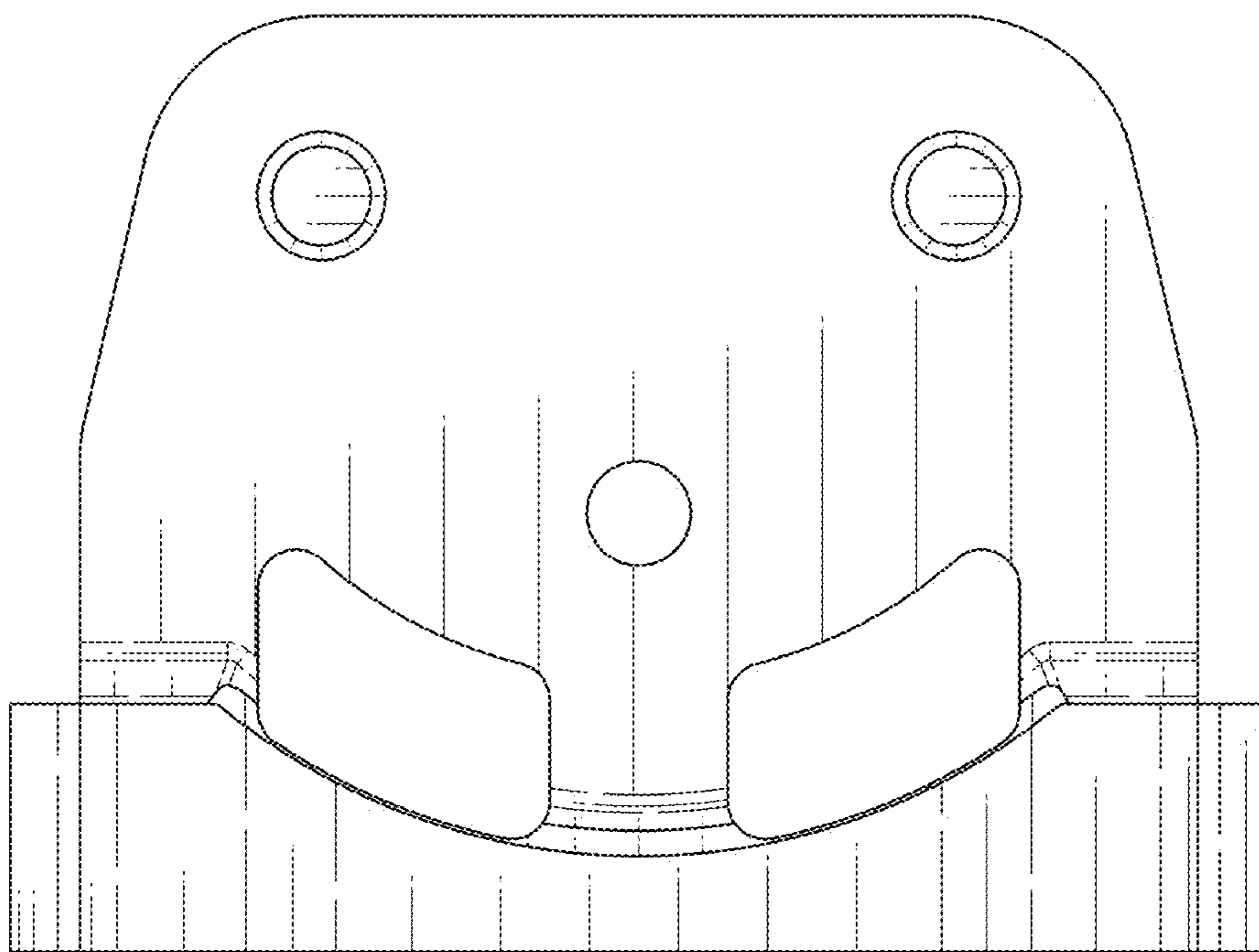


FIG. 6

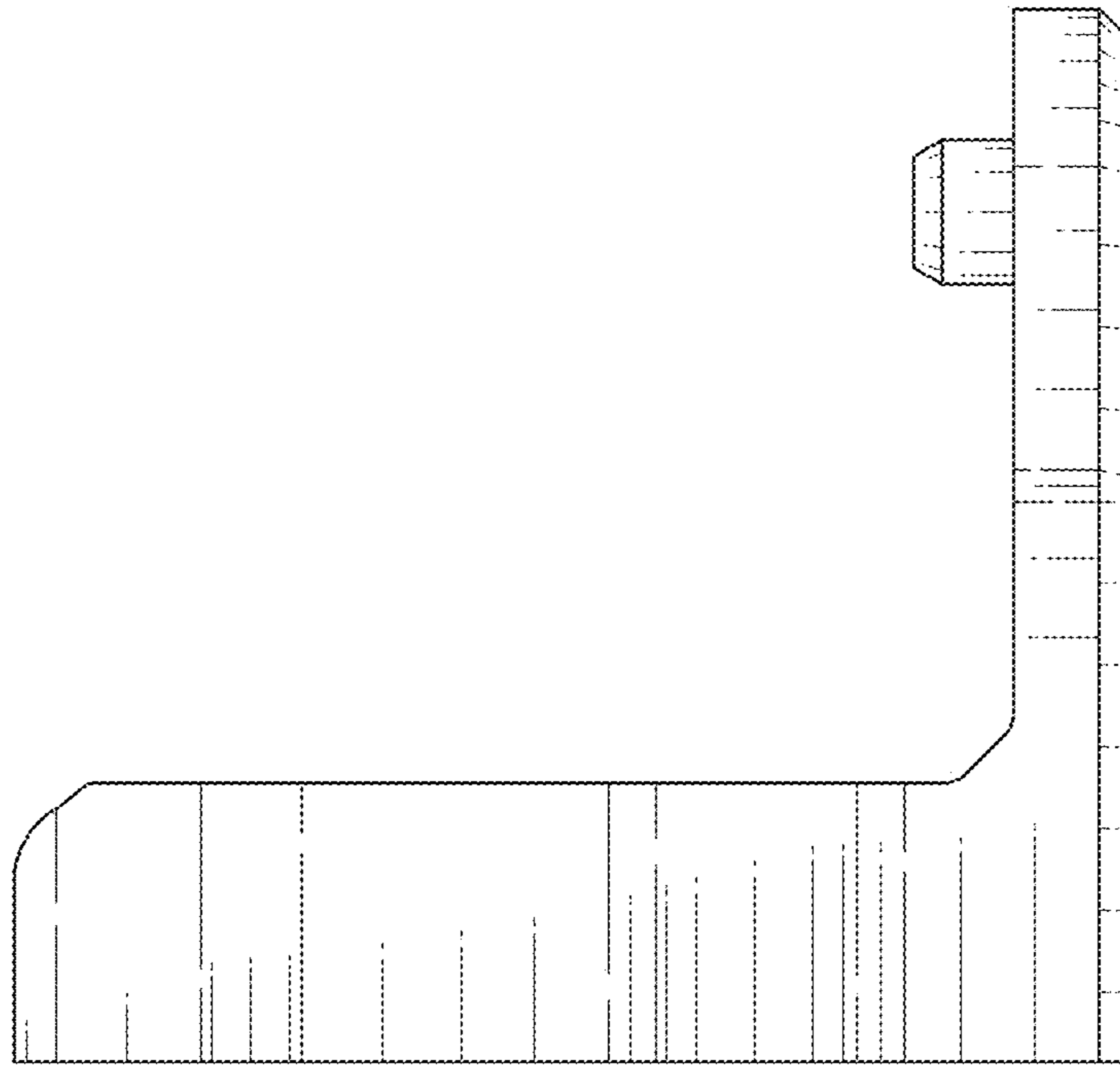


FIG. 7

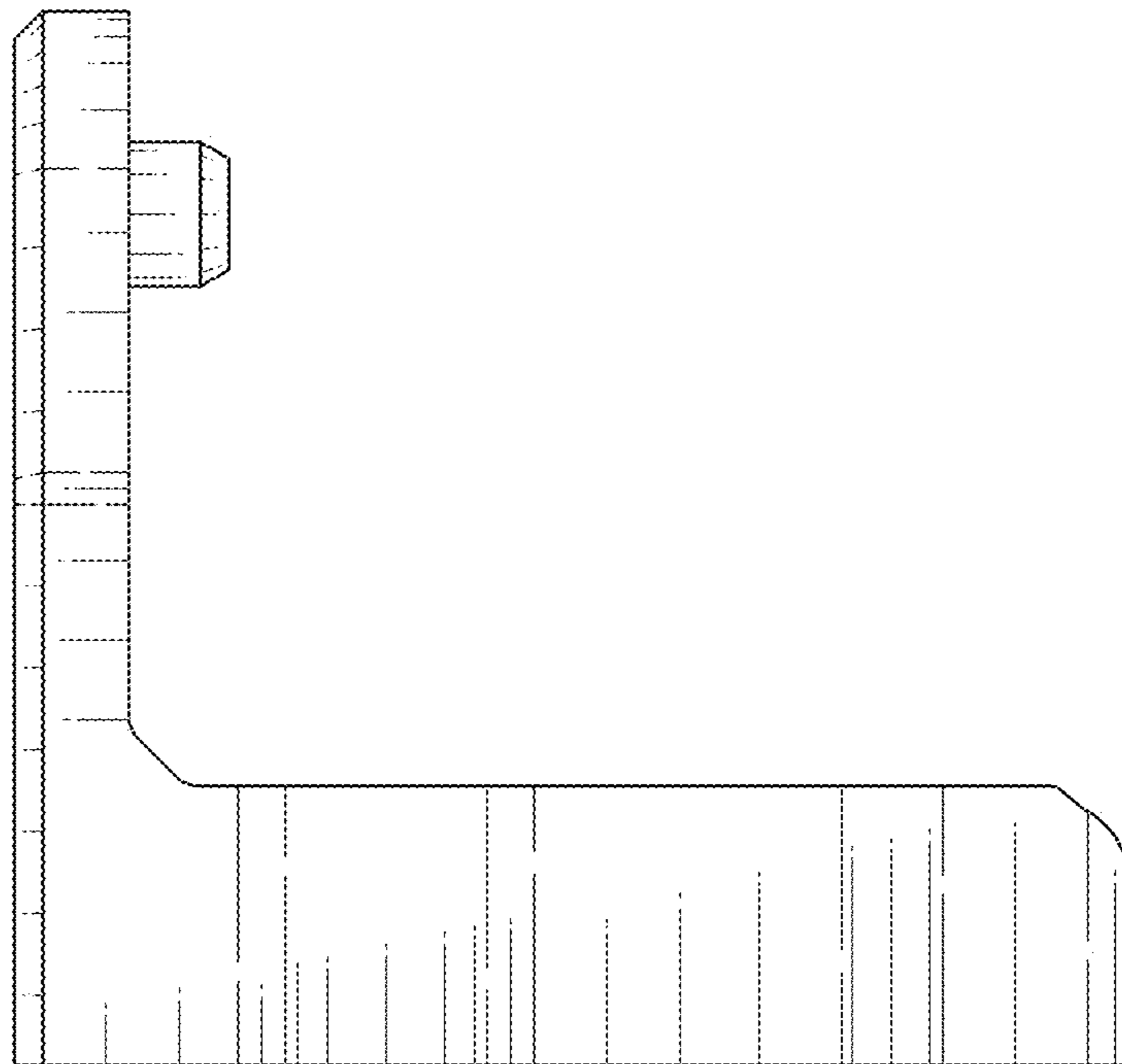


FIG. 8

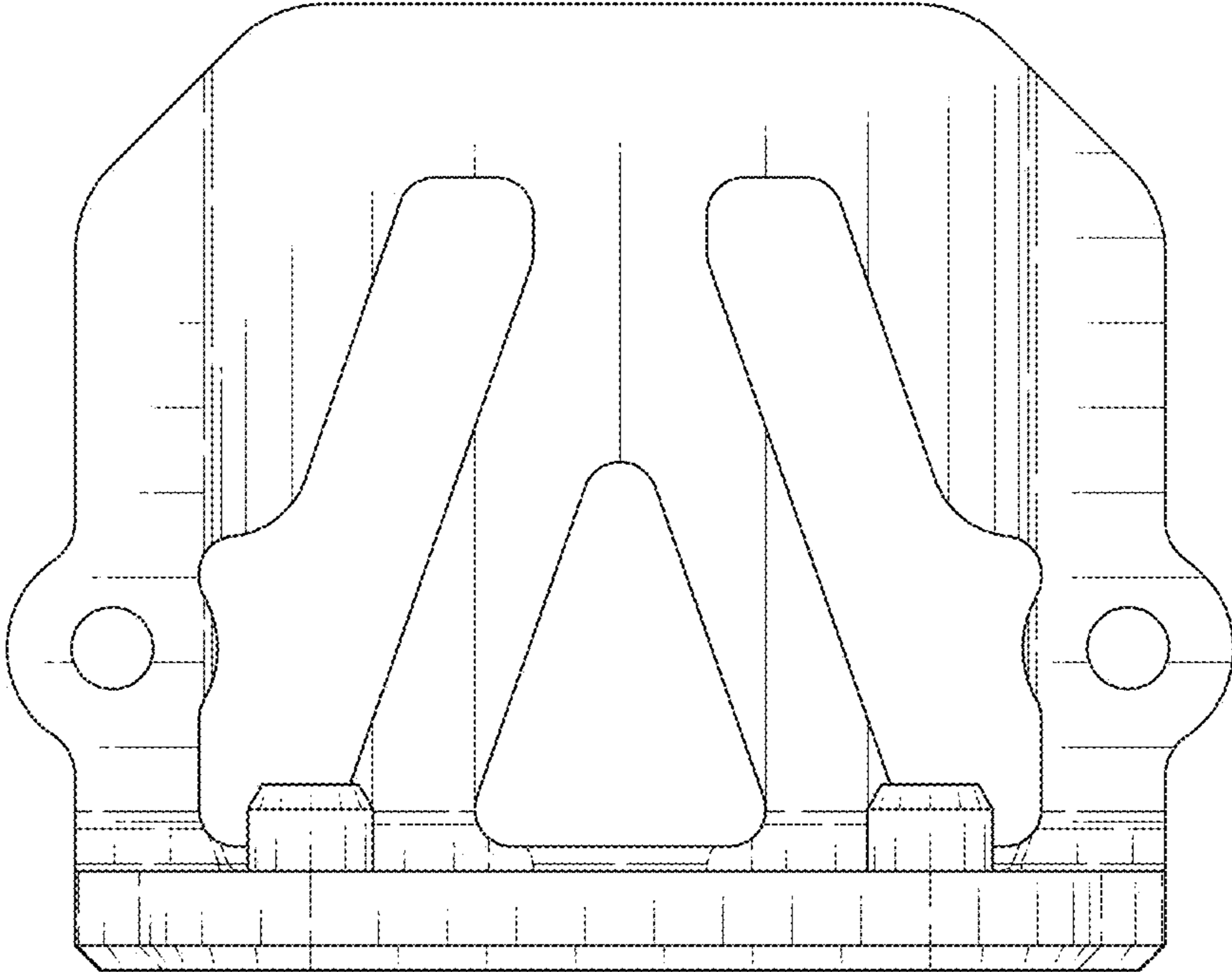


FIG. 9

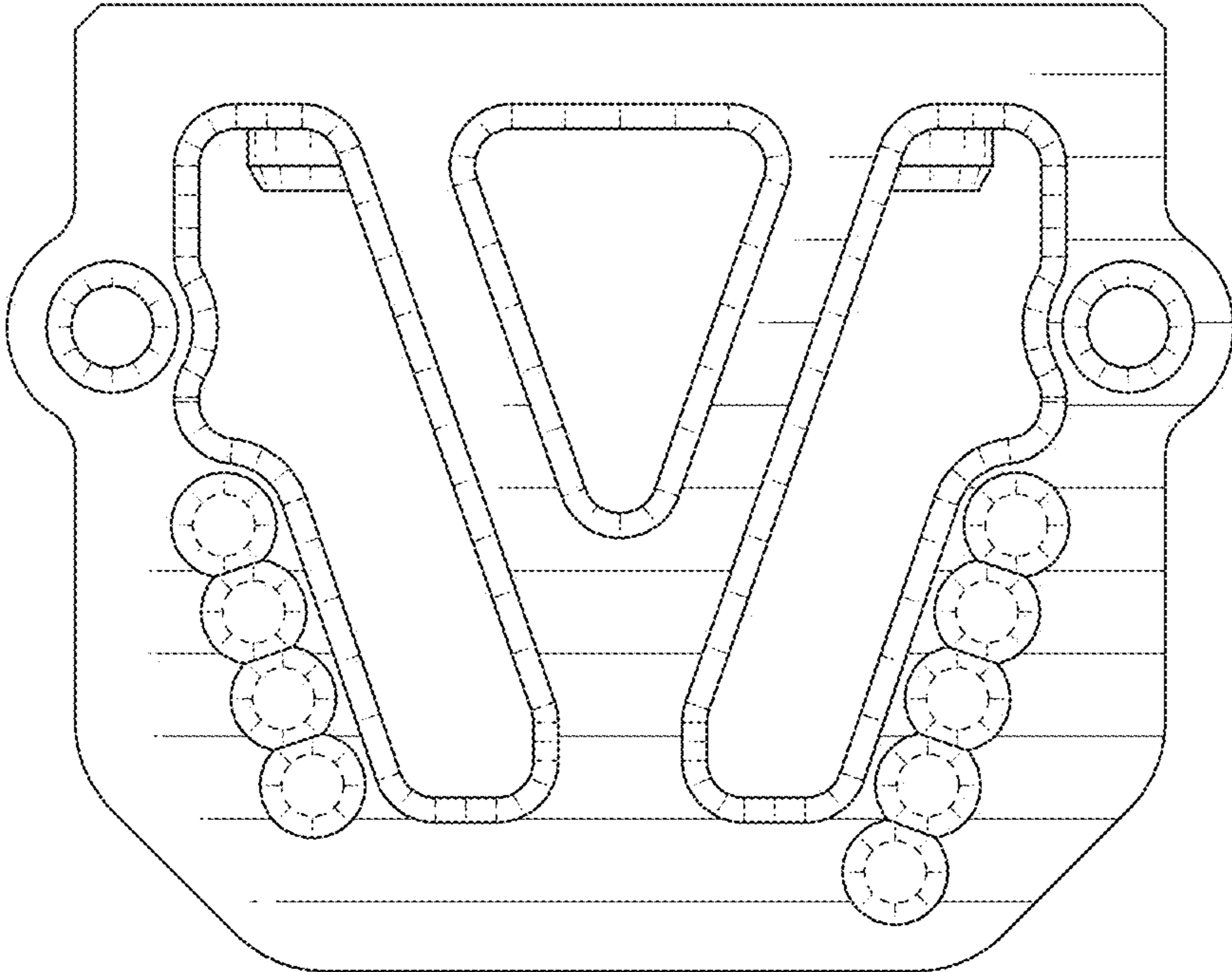


FIG. 10