



US0D1063931S

(12) **United States Design Patent** (10) **Patent No.: US D1,063,931 S**  
**Lee et al.** (45) **Date of Patent: \*\* Feb. 25, 2025**

(54) **DISPLAY DEVICE**

FOREIGN PATENT DOCUMENTS

(71) Applicant: **Samsung Display Co., Ltd.**, Yongin-si (KR)

CN 307978845 \* 4/2023  
CN 308192045 \* 8/2023

(72) Inventors: **Hyun Joo Lee**, Cheongju-si (KR);  
**Hyun Gu Kim**, Suwon-si (KR)

OTHER PUBLICATIONS

(73) Assignee: **Samsung Display Co., Ltd.**, Yongin-si (KR)

Samsung 17" Foldable Screen and Double Folding Phone, www.youtube.com, May 19, 2021. <https://www.youtube.com/watch?v=oQxcBhAGMuE> (Year: 2021).\*

(Continued)

(\*\*) Term: **15 Years**

*Primary Examiner* — Messina L Smith

(21) Appl. No.: **29/865,022**

*Assistant Examiner* — Kwabena A. Ankobiah

(22) Filed: **Jul. 1, 2022**

(74) *Attorney, Agent, or Firm* — Lewis Roca Rothgerber Christie LLP

(30) **Foreign Application Priority Data**

(57) **CLAIM**

Mar. 16, 2022 (KR) ..... 30-2022-0010225

The ornamental design for a display device, as shown and described.

(51) **LOC (15) Cl.** ..... **14-03**

**DESCRIPTION**

(52) **U.S. Cl.**

USPC ..... **D14/138 AB**

(58) **Field of Classification Search**

USPC ..... D14/126, 128, 129, 138 R, 138 G, D14/138 AA, 138 AB, 138 AC, 138 AD, D14/138 C, 248, 341, 371; D10/50; D20/10; D21/324, 325, 329, 332, 369  
CPC ..... G06F 3/041; G06F 3/0412; G06F 3/0488; G06F 3/04883; G06F 1/1613; G06F 1/1626; G06F 1/1692; G06F 2200/1633; A47F 9/047

See application file for complete search history.

FIG. 1 is a perspective view of the display device, showing the present design in a folded state;  
FIG. 2 is a front view thereof;  
FIG. 3 is a rear view thereof;  
FIG. 4 is a left side view thereof;  
FIG. 5 is a right side view thereof;  
FIG. 6 is a top view thereof; and  
FIG. 7 is a bottom view thereof.  
FIG. 8 is a perspective view of the display device, showing the present design in an alternate configuration with the display device in an unfolded state;  
FIG. 9 is a front view thereof;  
FIG. 10 is a rear view thereof;  
FIG. 11 is a left side view thereof;  
FIG. 12 is a right side view thereof;  
FIG. 13 is a top view thereof; and,  
FIG. 14 is a bottom view thereof.

In the drawings, the broken lines illustrate portions of the display device that form no part of the claimed design.

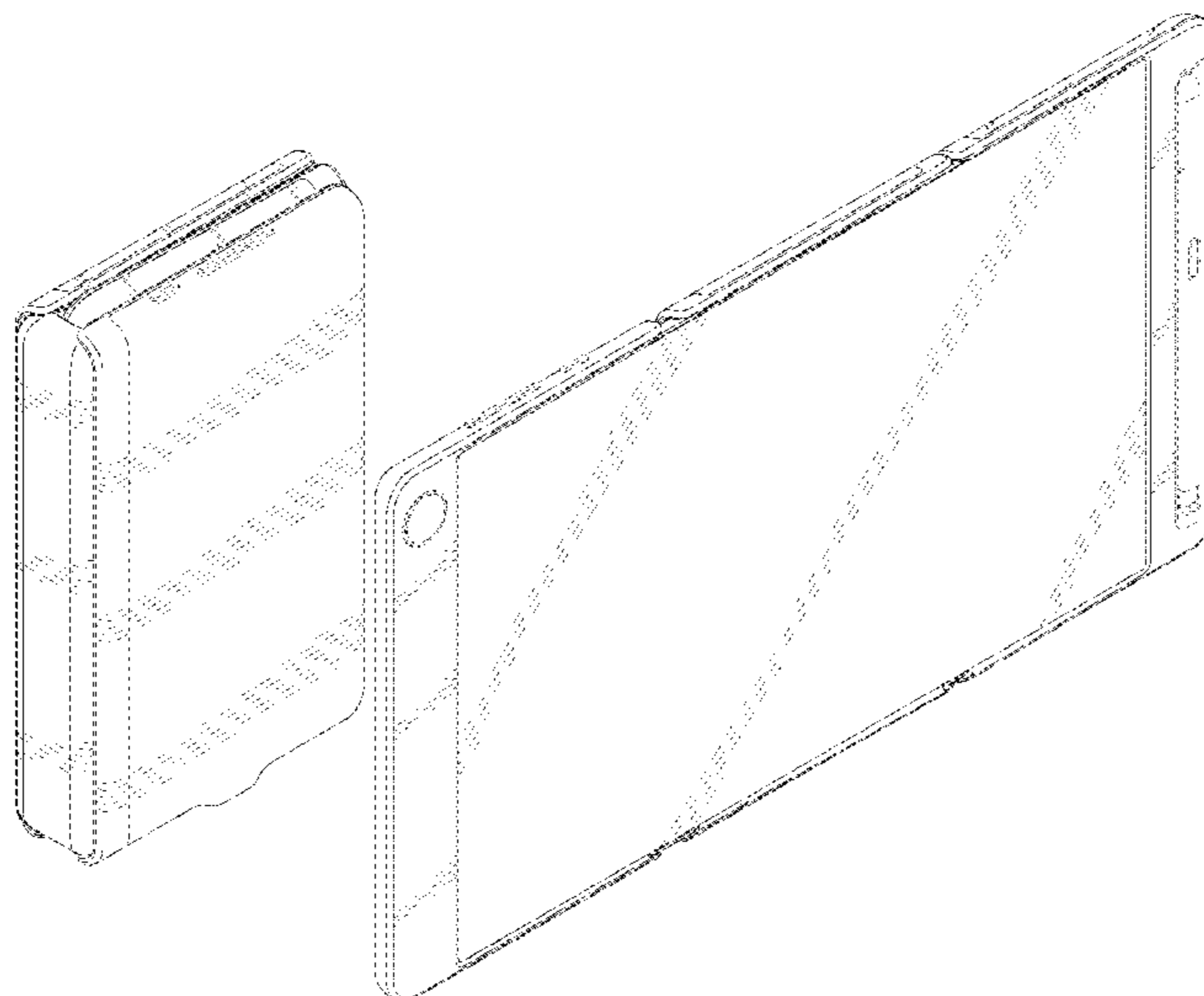
(56) **References Cited**

U.S. PATENT DOCUMENTS

D716,751 S \* 11/2014 Lee ..... D14/345  
D746,285 S \* 12/2015 Okabe ..... D14/345  
D828,319 S \* 9/2018 Seo ..... D14/138 AD  
D875,091 S \* 2/2020 Kwon ..... D14/341

(Continued)

**1 Claim, 10 Drawing Sheets**



(56)

**References Cited**

## U.S. PATENT DOCUMENTS

D892,073 S \* 8/2020 Fang ..... D14/138 AB  
D894,145 S \* 8/2020 Lee ..... D14/138 AB  
D897,301 S \* 9/2020 Lee ..... D14/138 AB  
D901,426 S \* 11/2020 Lee ..... D14/138 AD  
D915,337 S \* 4/2021 Lee ..... D14/138 AD  
D934,855 S \* 11/2021 Hallar ..... D14/315  
D951,219 S \* 5/2022 Cho ..... D14/138 AB  
D963,604 S \* 9/2022 Zhang ..... D14/138 AD  
D971,172 S \* 11/2022 Lee ..... D14/138 AB  
D982,583 S \* 4/2023 Lee ..... D14/345  
D1,040,776 S \* 9/2024 Chang ..... D14/138 AB  
D1,041,438 S \* 9/2024 Lee ..... D14/138 AB  
D1,042,383 S \* 9/2024 Li ..... D14/248  
D1,042,387 S \* 9/2024 Choi ..... D14/138 AB  
D1,042,388 S \* 9/2024 Choi ..... D14/138 AB  
D1,042,442 S \* 9/2024 Yamazaki ..... D14/345  
D1,043,598 S \* 9/2024 Lee ..... D14/345  
D1,043,599 S \* 9/2024 Lee ..... D14/345

## OTHER PUBLICATIONS

Samsung Flex S—In Hands | Wow, [www.youtube.com](http://www.youtube.com), Jan. 7, 2022. <https://www.youtube.com/watch?app=desktop&v=viY8rlluVB4> (Year: 2022).\*

Samsung shows off foldable laptop, tablet, and smartphone concepts at CES, [www.arstechnica.com](http://www.arstechnica.com), Jan. 6, 2022. <https://arstechnica.com/gadgets/2022/01/samsung-shows-off-foldable-laptop-tablet-and-smartphone-concepts-at-ces/> (Year: 2022).\*

Samsung Flex S & G Double Folding Phones, [www.youtube.com](http://www.youtube.com), Jan. 5, 2022. <https://www.youtube.com/watch?v=7X-Izwt-Qwl> (Year: 2022).\*

\* cited by examiner

FIG. 1

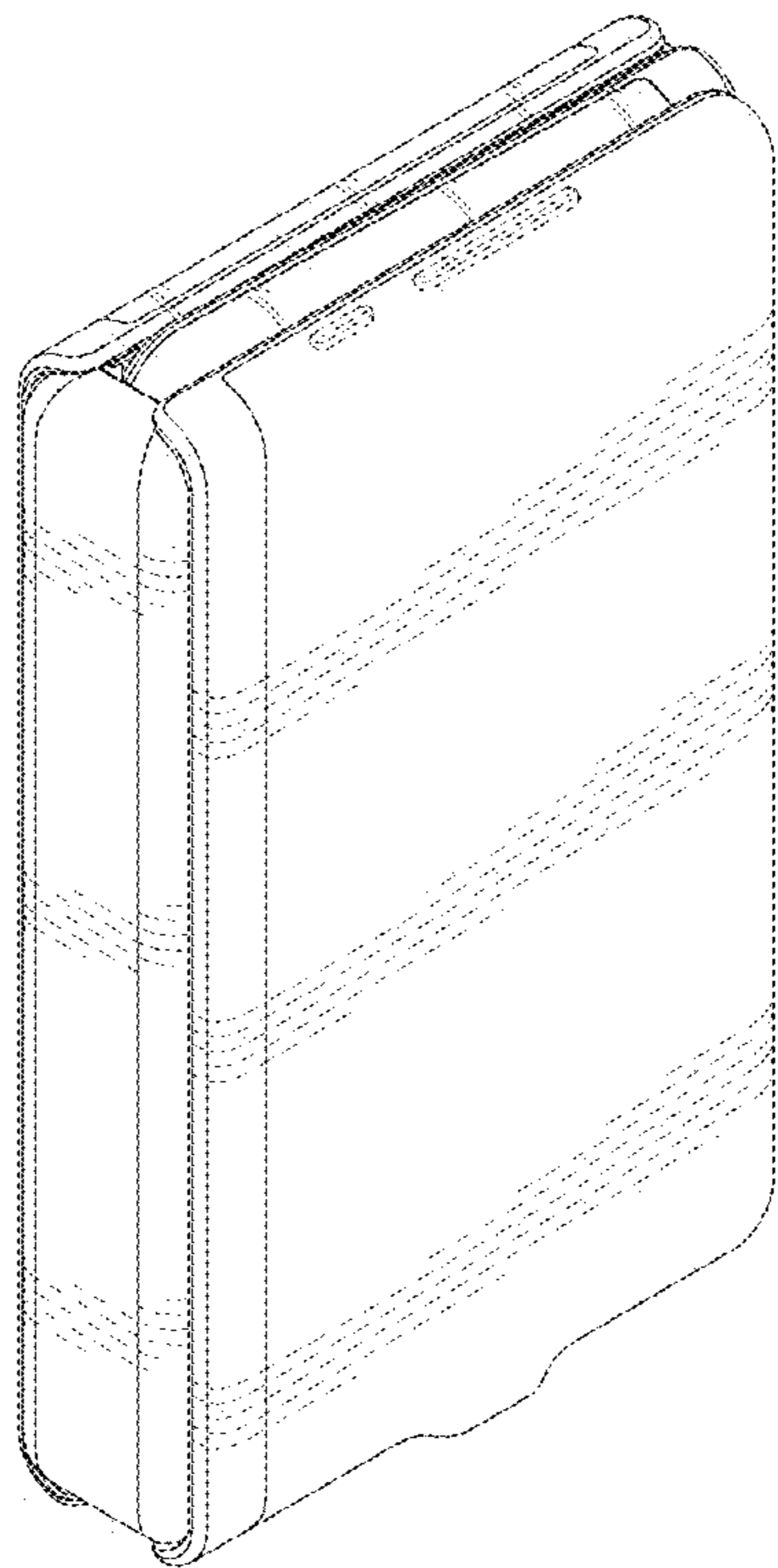


FIG. 2

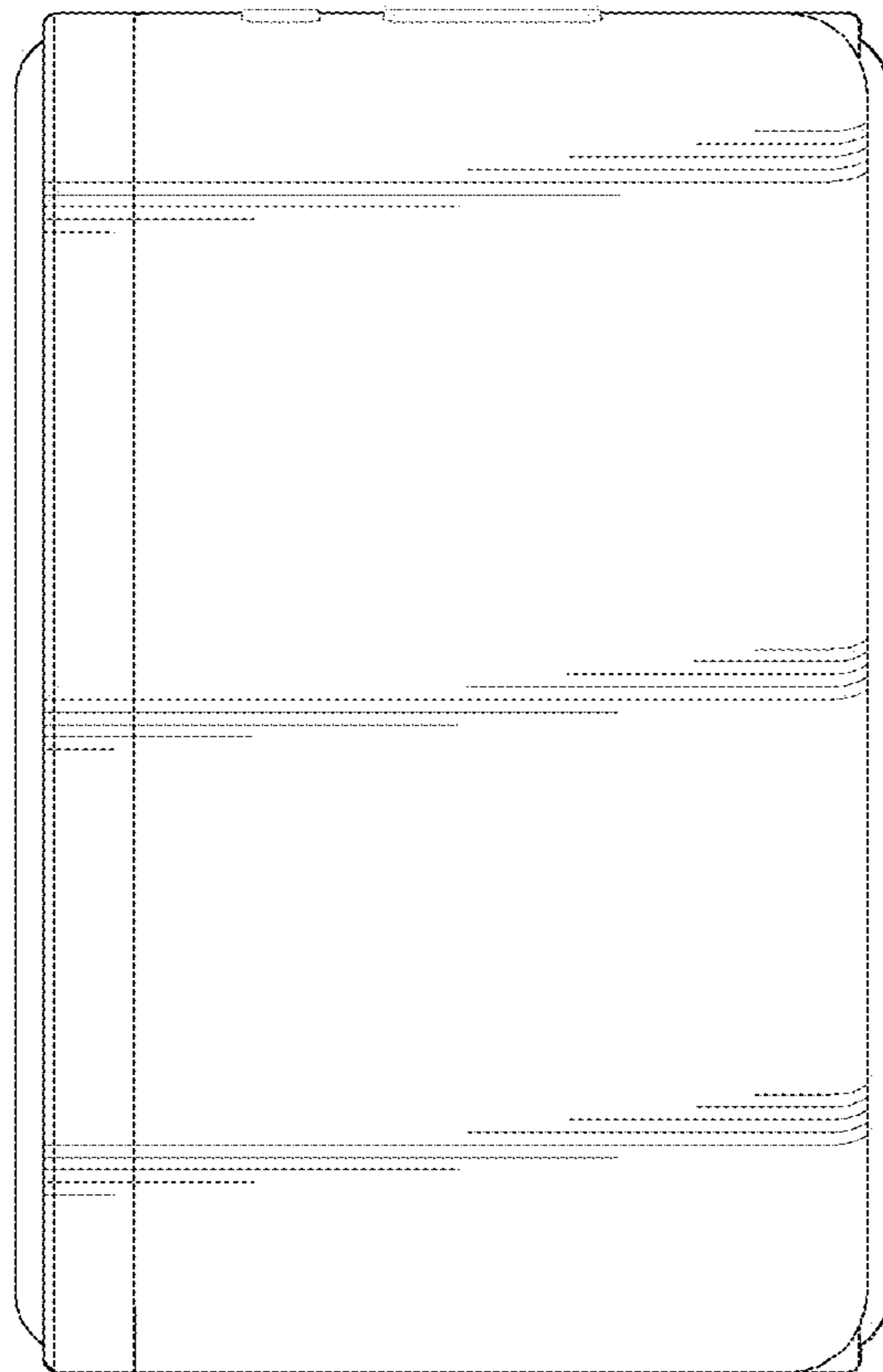


FIG. 3

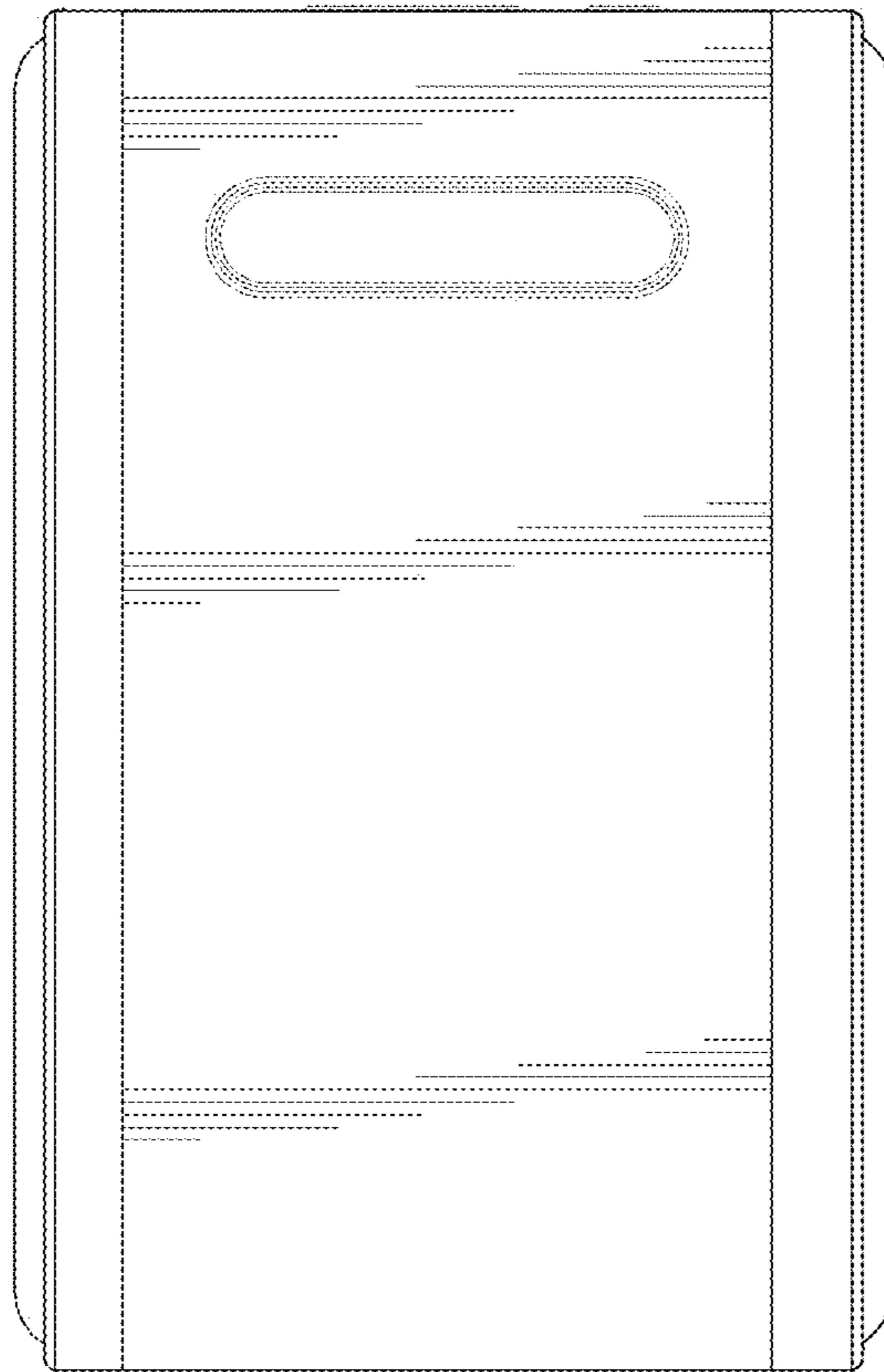


FIG. 4

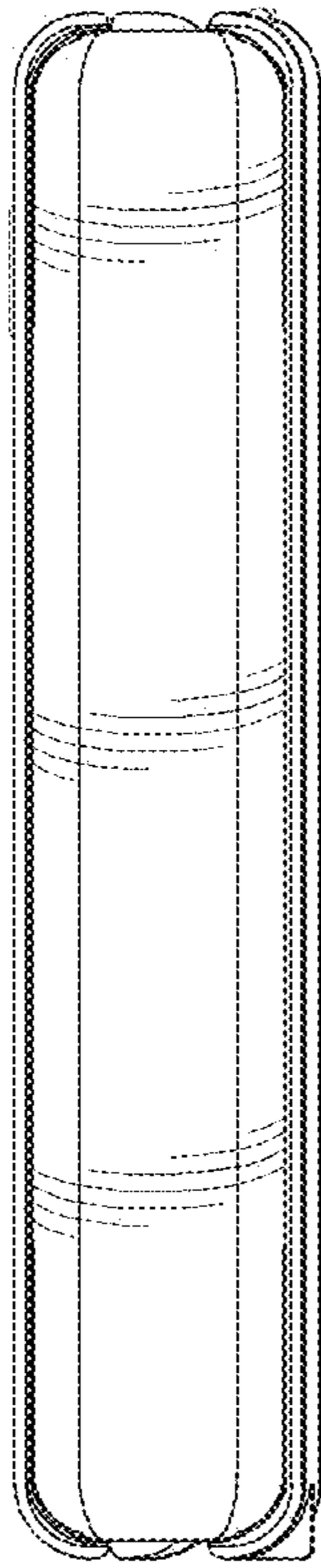


FIG. 5

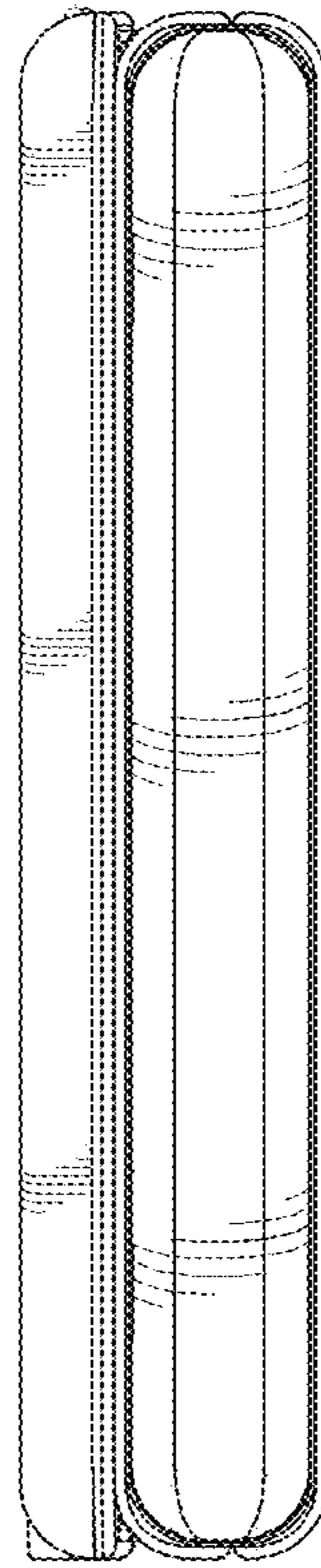


FIG. 6

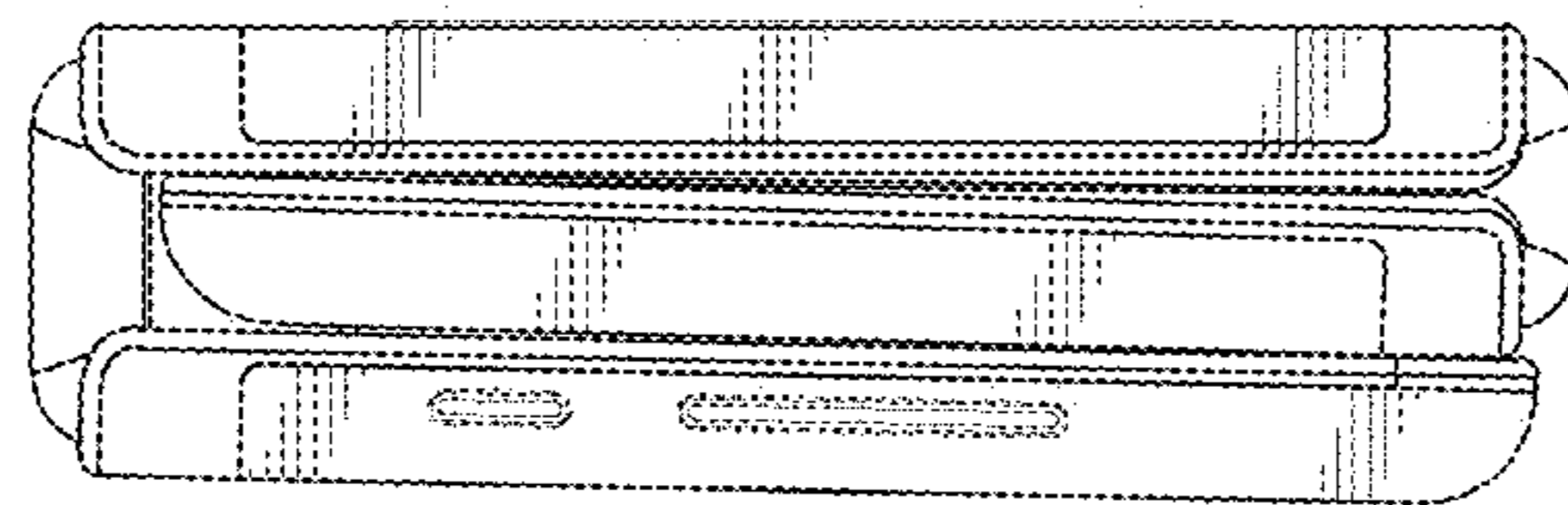


FIG. 7

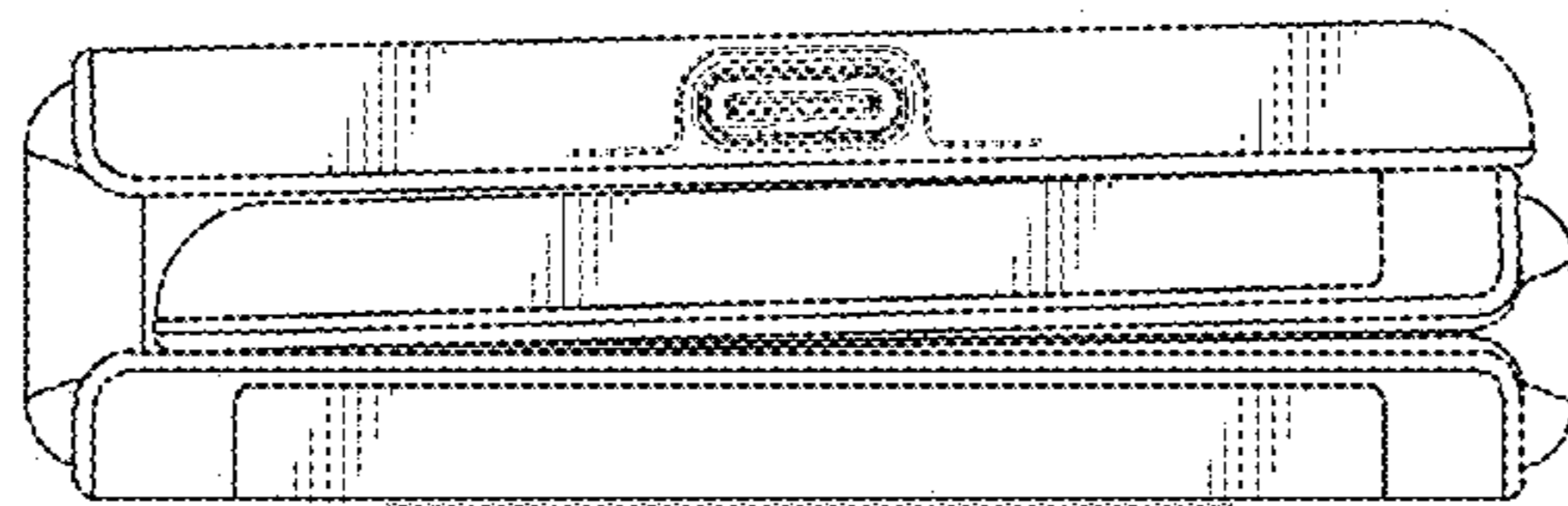


FIG. 8

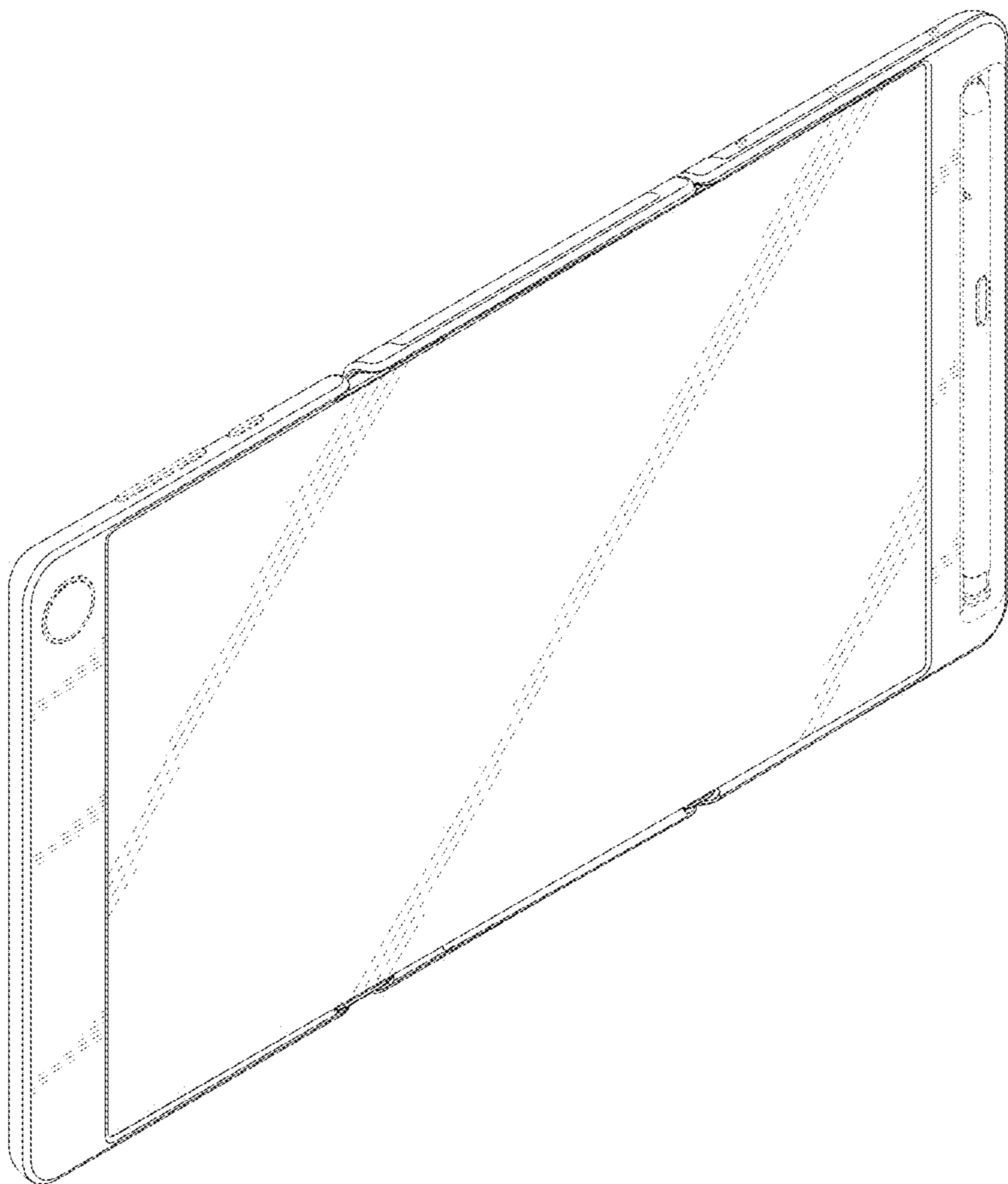




FIG. 9

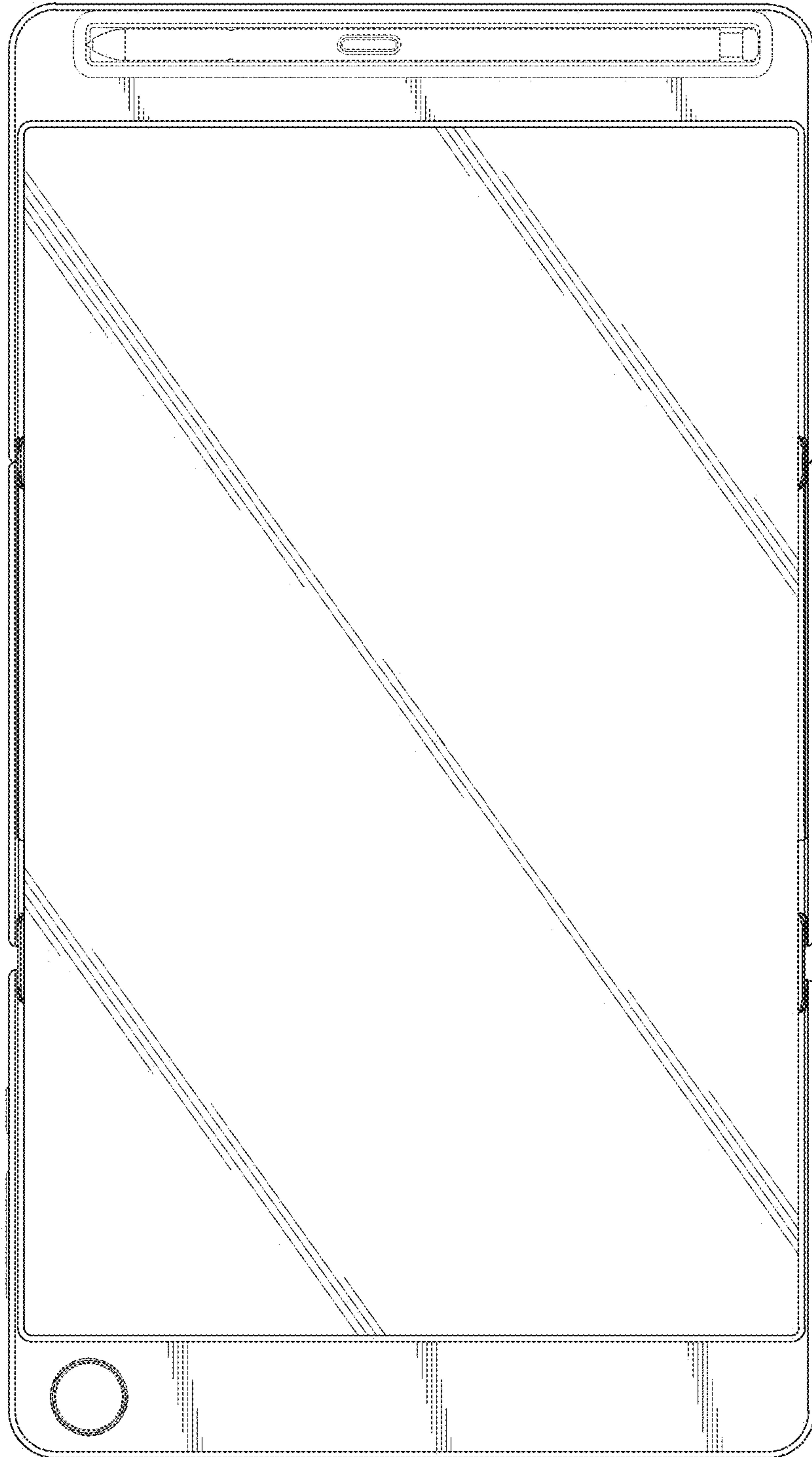


FIG. 10

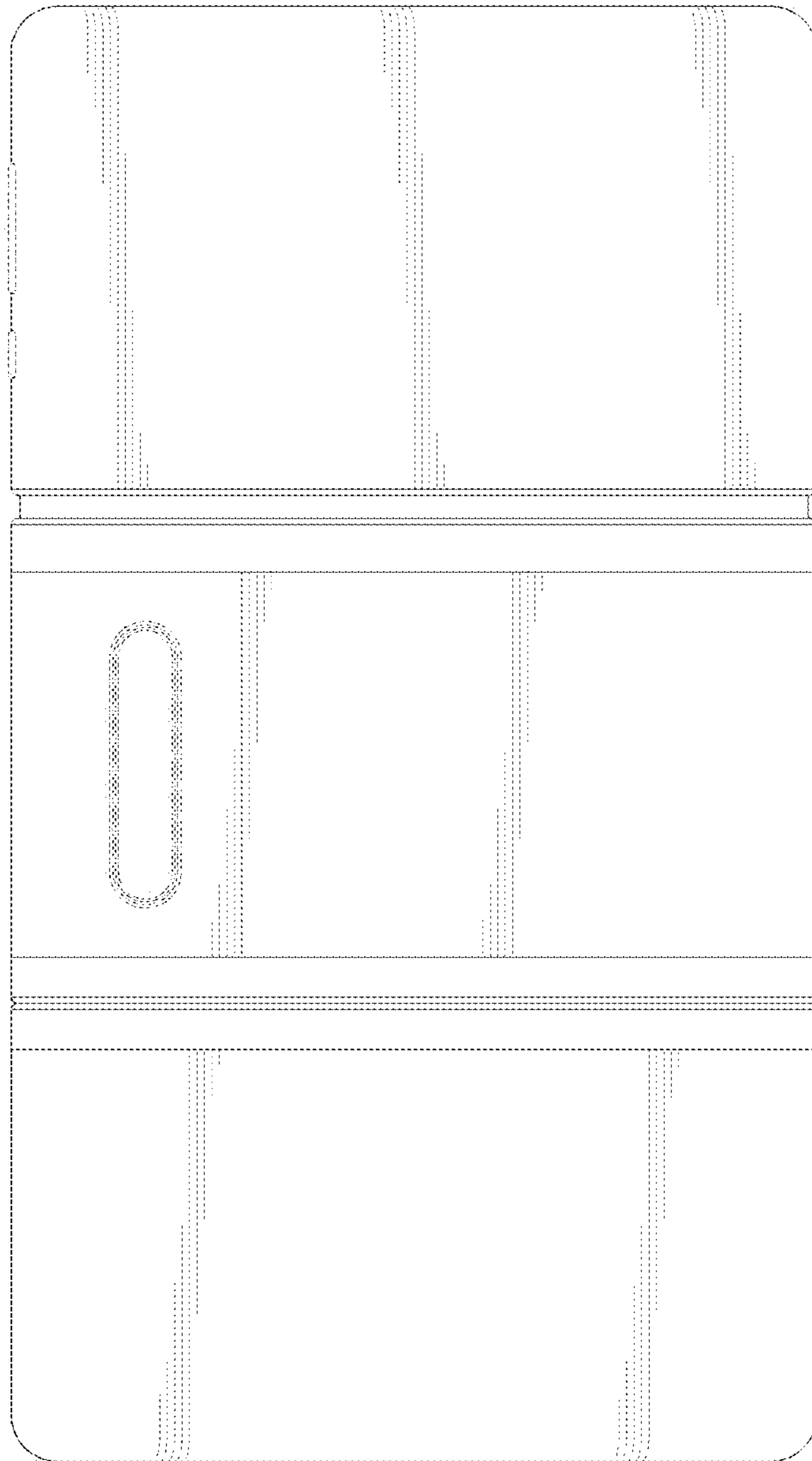


FIG. 11



FIG. 12



FIG. 13

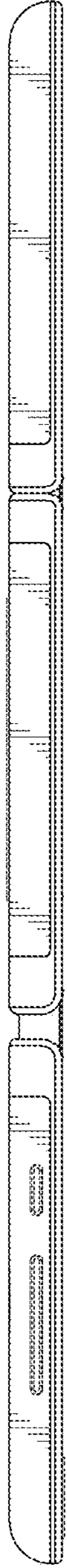


FIG. 14

