



US0D1063769S

(12) **United States Design Patent** (10) **Patent No.:** **US D1,063,769 S**
Echazabal et al. (45) **Date of Patent:** **** Feb. 25, 2025**

(54) **VEHICLE WHEEL**

(71) Applicant: **Toyota Motor North America, Inc.**,
Plano, TX (US)

(72) Inventors: **Alberto Echazabal**, Prosper, TX (US);
Jakin C. Wilson, Prosper, TX (US)

(73) Assignee: **Toyota Motor North America, Inc.**,
Plano, TX (US)

(**) Term: **15 Years**

(21) Appl. No.: **29/892,537**

(22) Filed: **May 18, 2023**

(51) **LOC (15) Cl.** **12-16**

(52) **U.S. Cl.**
USPC **D12/209**

(58) **Field of Classification Search**
USPC D12/204, 205, 206, 207, 208, 209–213;
D15/10, 33; D21/561, 563
CPC B60B 1/00; B60B 1/08; B60B 1/10; B60B
1/12; B60B 3/02; B60B 3/04; B60B 3/06;
B60B 3/10; B60B 7/00; B60B 7/01;
B60B 7/02; B60B 7/04
See application file for complete search history.

(56) **References Cited**

U.S. PATENT DOCUMENTS

D394,238 S	5/1998	Haller et al.	
D395,031 S	6/1998	Timm	
D402,952 S	12/1998	Sycha	
D475,336 S	6/2003	Larson	
D496,623 S	9/2004	Elmitt	
D526,265 S *	8/2006	Muzzarelli D12/209
D554,035 S	10/2007	Groom	
D572,185 S	7/2008	Pollmann	
D579,397 S	10/2008	Osborne	
D586,715 S	2/2009	Cortes	
D589,427 S	3/2009	Scheu	

D625,238 S	10/2010	Zhao	
D628,135 S	11/2010	Zhao	
D629,732 S	12/2010	Tirado	
D644,587 S	9/2011	Gotschke	
D656,448 S	3/2012	Zhao	
D670,227 S	11/2012	Chung	
D687,756 S *	8/2013	Campbell D12/209
D688,187 S	8/2013	McMath	
D706,198 S	6/2014	Chung	
D712,330 S *	9/2014	Chung D12/209

(Continued)

OTHER PUBLICATIONS

Difference Between Alloy Wheels vs Steel Wheels—Which is Better_, posted date unknown [online], [retrieved Sep. 18, 2024]. Retrieved from internet, <https://www.spinny.com/blog/index.php/alloy-wheels-vs-steel-wheels/> (Year: 2024).*

(Continued)

Primary Examiner — Darlington Ly
Assistant Examiner — Jeremy Koenig
(74) *Attorney, Agent, or Firm* — Dinsmore & Shohl LLP

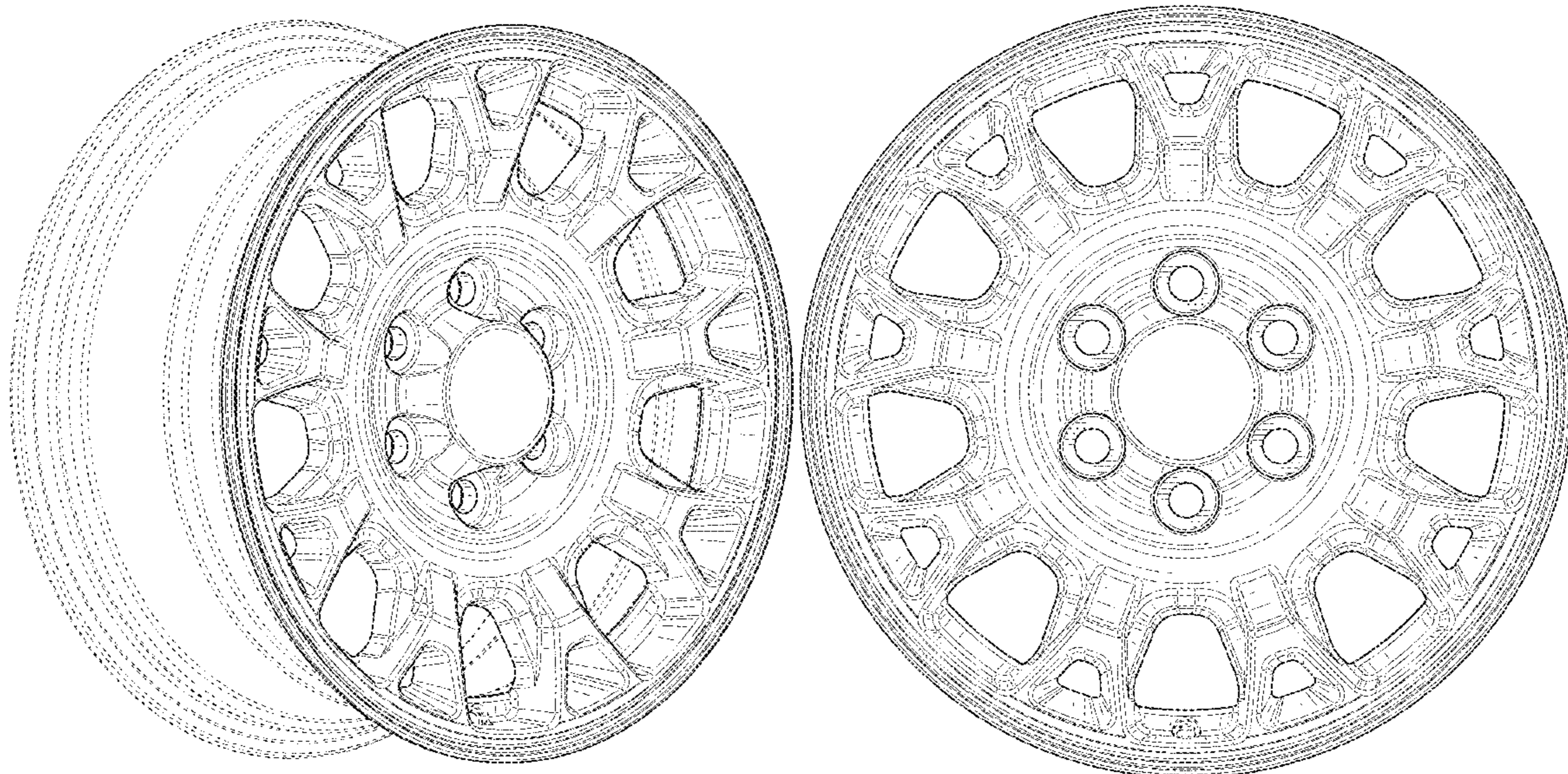
(57) **CLAIM**

The ornamental design for a vehicle wheel as shown and described.

DESCRIPTION

FIG. 1 is a front perspective view of a vehicle wheel illustrating our new design; FIG. 2 is a rear perspective view thereof; FIG. 3 is a front elevation view thereof; FIG. 4 is a rear elevation view thereof; and, FIG. 5 is a side elevation view thereof. The broken lines in the drawings illustrate portions of the vehicle wheel that form no part of the claimed design. The dot-dashed lines are included for the purpose of illustrating boundary lines and form no part of the claimed design.

1 Claim, 5 Drawing Sheets



(56)

References Cited

U.S. PATENT DOCUMENTS

D731,946 S	6/2015	Chung	
D733,027 S	6/2015	Chung	
D750,004 S	2/2016	Chung	
D758,948 S	6/2016	Trpinac	
D765,002 S	8/2016	Hoste et al.	
D767,468 S	9/2016	Stone et al.	
D781,199 S	3/2017	Dionisopoulos et al.	
D781,201 S	3/2017	Ninov et al.	
D786,165 S	5/2017	Hale, Jr.	
D787,405 S	5/2017	Nakamura	
D791,036 S *	7/2017	Owens	D12/209
D792,827 S	7/2017	Chung	
D799,399 S	10/2017	Chung	
D800,044 S *	10/2017	Ghobrial	D12/209
D817,846 S *	5/2018	Stone	D12/209
D835,024 S	12/2018	Han	
D849,660 S	5/2019	Ranum	
D854,487 S	7/2019	Hale	
D876,309 S	2/2020	Echazabal	
D883,172 S	5/2020	Goodrich	
D885,297 S	5/2020	Hale	

D889,355 S	7/2020	Han et al.	
D889,359 S	7/2020	Gillam et al.	
D889,360 S *	7/2020	Ninov	D12/209
D891,344 S	7/2020	Platto et al.	
D893,380 S *	8/2020	Vincent	D12/209
D896,147 S	9/2020	Hoste et al.	
D896,152 S	9/2020	Owens	
D922,291 S *	6/2021	Kaoud	D12/209
D944,707 S *	3/2022	Echazabal	D12/209
D973,006 S *	12/2022	Echazabal	D12/211
D1,004,514 S	11/2023	Echazabal et al.	
D1,021,737 S *	4/2024	Echazabal	D12/211
D1,026,780 S *	5/2024	Mine	D12/211

OTHER PUBLICATIONS

Toyota Wheels F141 20×9 5×150 Matte Black fit Land Cruiser Sequoia Tun, posted date unknown [online], [retrieved Sep. 18, 2024]. Retrieved from internet, <https://wheelplususa.com/products/toyota-wheels-f141-20-9-5-150-matte-black-fit-land-cruiser-sequoia-tundra> (Year: 2024).*

* cited by examiner

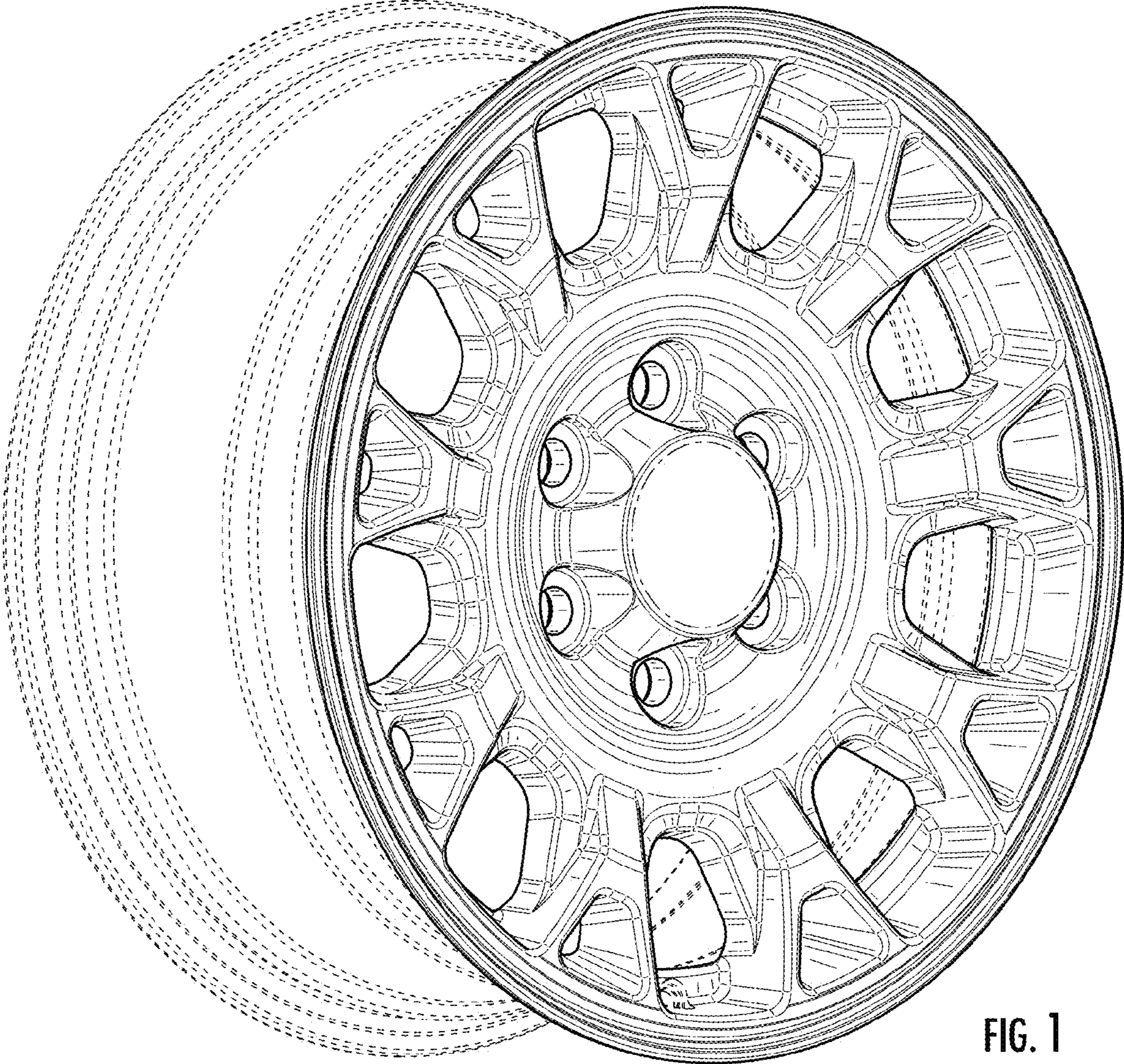


FIG. 1

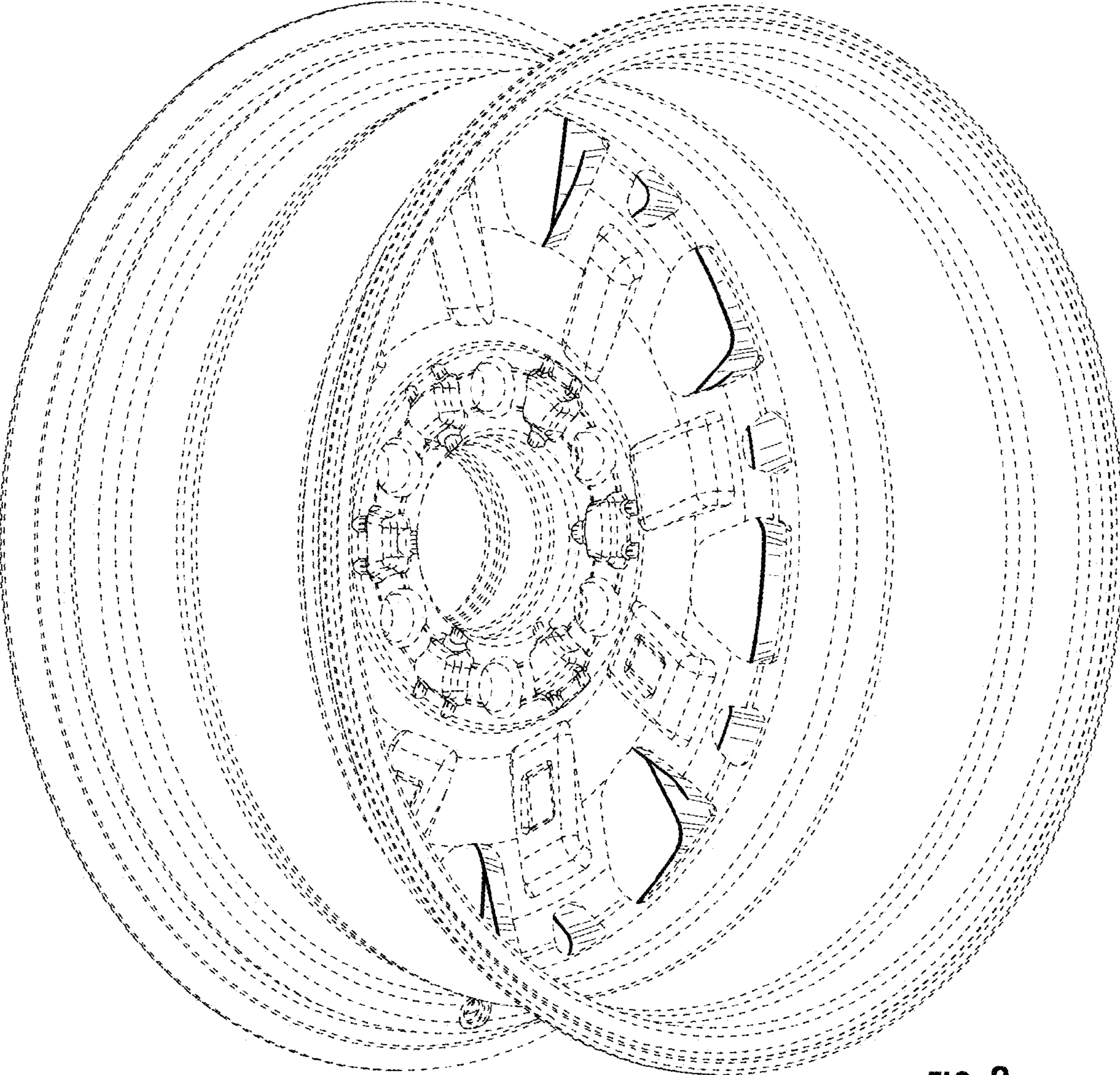


FIG. 2

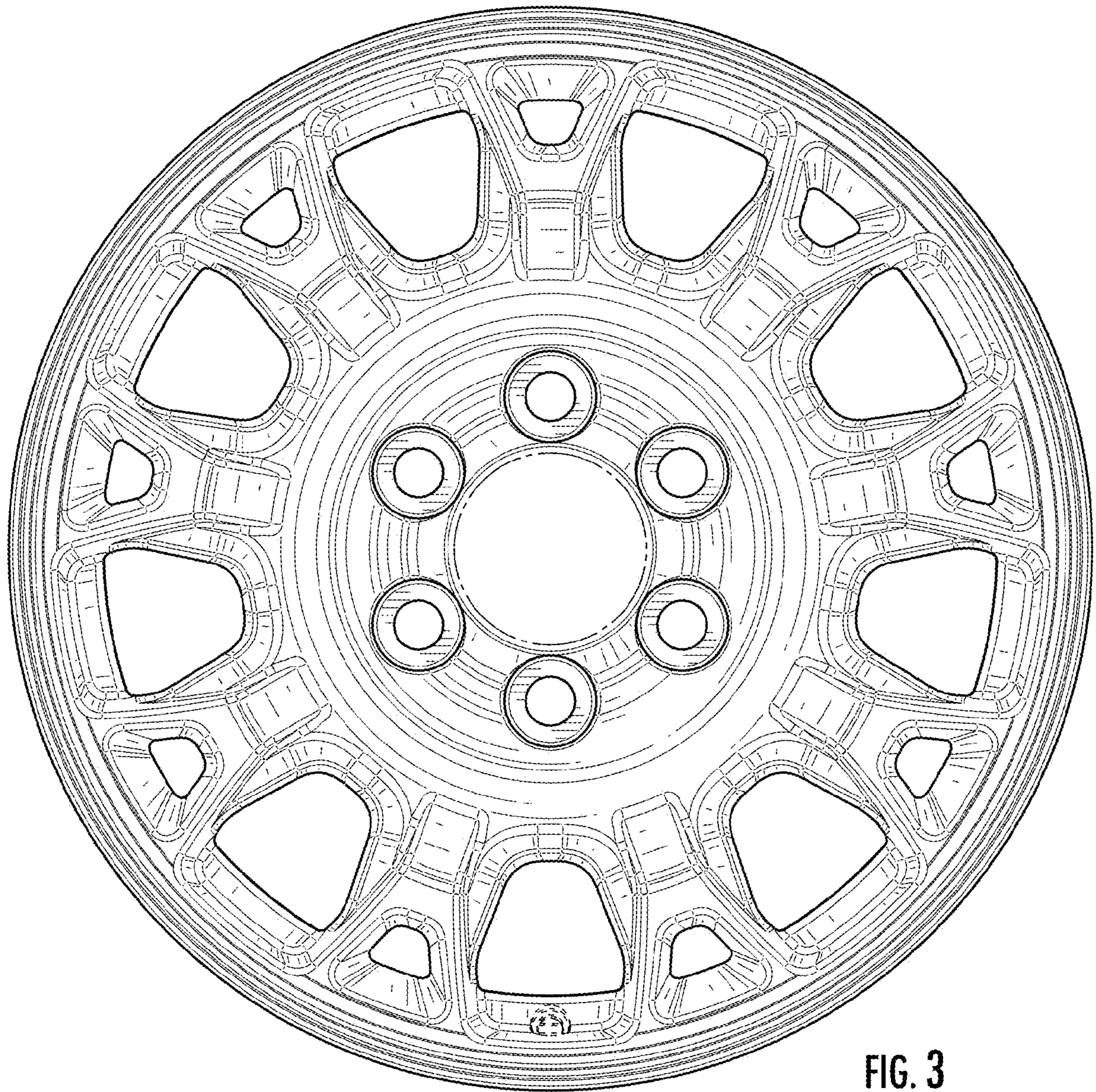


FIG. 3

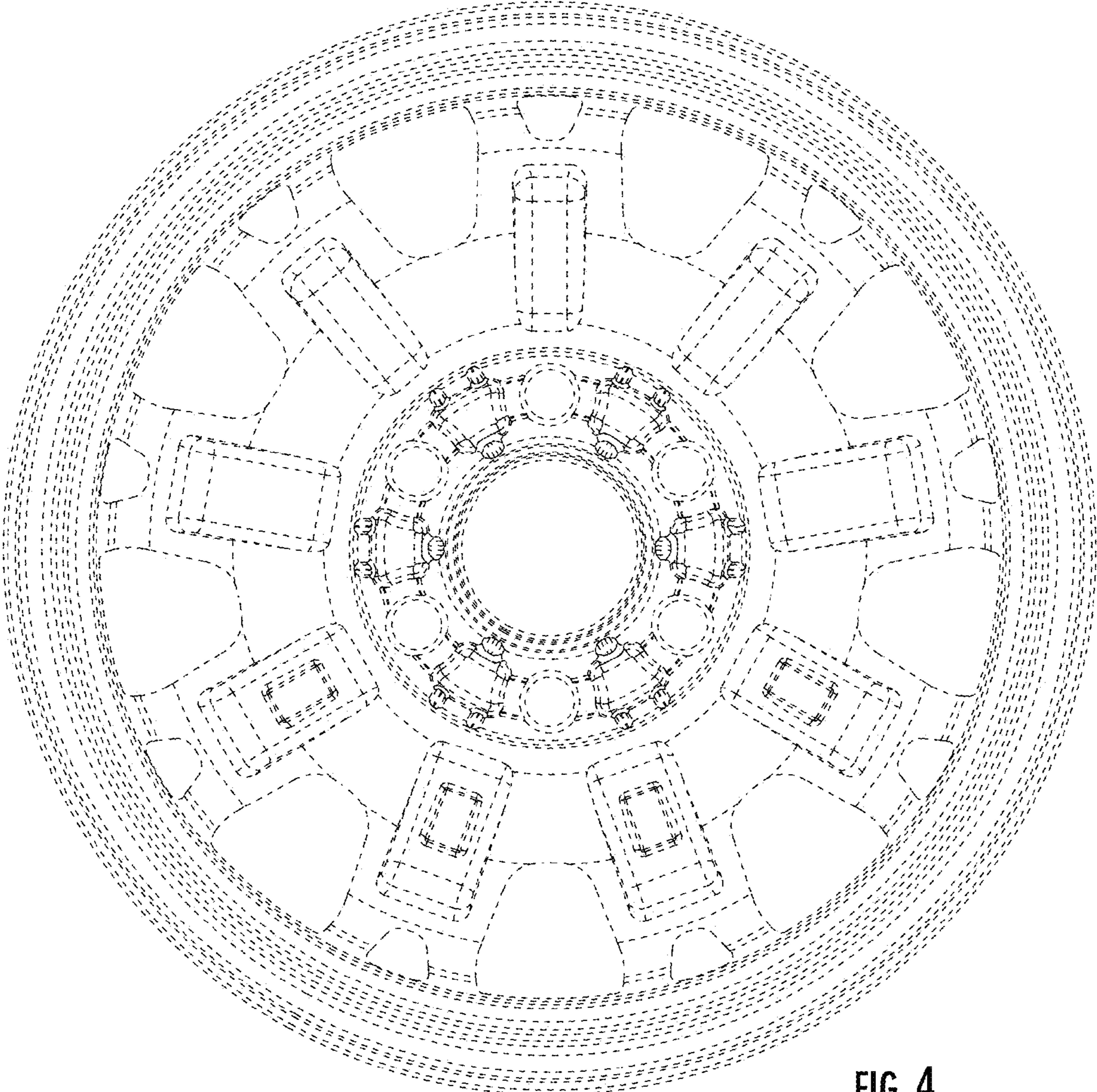


FIG. 4

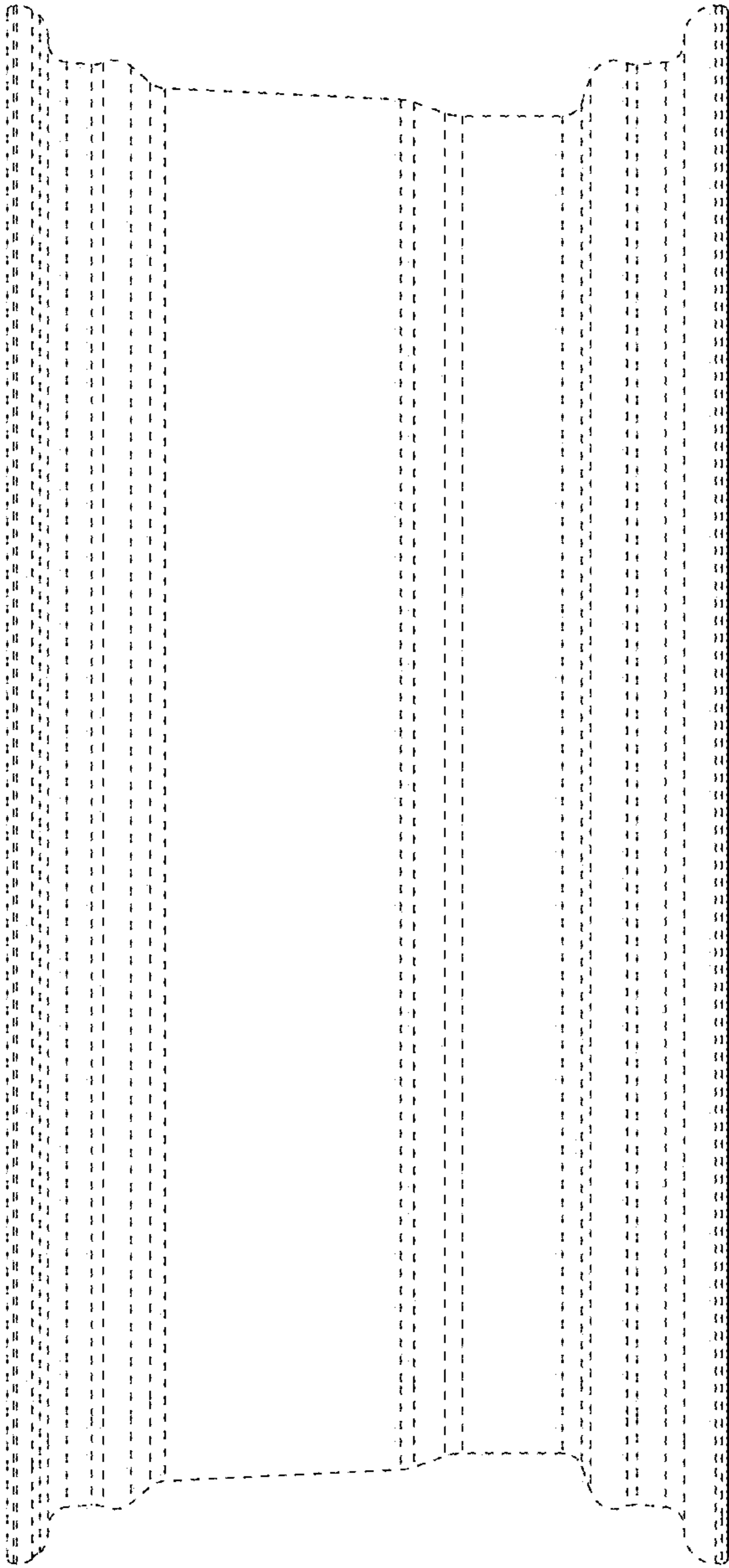


FIG. 5