



(12) **United States Design Patent**
Rowsell

(10) **Patent No.:** **US D1,063,455 S**
(45) **Date of Patent:** **** Feb. 25, 2025**

- (54) **DESK**
- (71) Applicant: **ARTERIORIS HOME**, Lewisville, TX (US)
- (72) Inventor: **Kaylin Rowsell**, Dallas, TX (US)
- (73) Assignee: **ARTERIORIS HOME**, Lewisville, TX (US)

(**) Term: **15 Years**

(21) Appl. No.: **29/885,018**

(22) Filed: **Feb. 17, 2023**

(51) **LOC (15) Cl.** **06-03**

(52) **U.S. Cl.**
USPC **D6/691.3**

(58) **Field of Classification Search**
USPC D6/329, 641, 656, 656.1, 656.13, 656.14,
D6/656.16, 656.17, 656.18, 685, 690,
D6/691, 691.1, 691.2, 691.3, 691.5,
D6/691.6, 691.7, 691.8, 694, 694.1
CPC ... A47B 13/081; A47B 13/088; A47B 13/003;
A47B 21/06

See application file for complete search history.

(56) **References Cited**

U.S. PATENT DOCUMENTS

- D91,315 S * 1/1934 Brown D6/691.6
- 2,490,318 A * 12/1949 Padon A47B 3/08
108/131
- D242,102 S * 11/1976 Stirling D6/691.8
- D603,627 S * 11/2009 Wen D6/656.16
- D611,734 S * 3/2010 Stukenberg D6/691.8
- D637,836 S * 5/2011 Cortivo D6/656
- D862,952 S * 10/2019 Davis D6/691
- 10,716,394 B1 * 7/2020 Jennings A47B 13/10
- D933,401 S * 10/2021 Polidoros D6/656.1

- D961,965 S * 8/2022 Wong D6/656
- D1,000,173 S * 10/2023 Tong D6/691.1
- D1,039,302 S * 8/2024 Pomputius D6/691.3
- 2015/0250300 A1 * 9/2015 Watts A47B 97/001
108/127
- 2020/0077784 A1 * 3/2020 Polidoros A47B 3/08

OTHER PUBLICATIONS

Arteriors, Meyer Desk, available in arteriorshome.com, internet archive date Sep. 25, 2022 [internet], [site visited Jul. 26, 2024], Internet URL: <https://web.archive.org/web/20220925041618/https://www.arteriorshome.com/meyer-desk-4666> (Year: 2022).*

(Continued)

Primary Examiner — Jae Liang
Assistant Examiner — Bryan C Gusman
(74) *Attorney, Agent, or Firm* — TROUTMAN PEPPER
LOCKE LLP

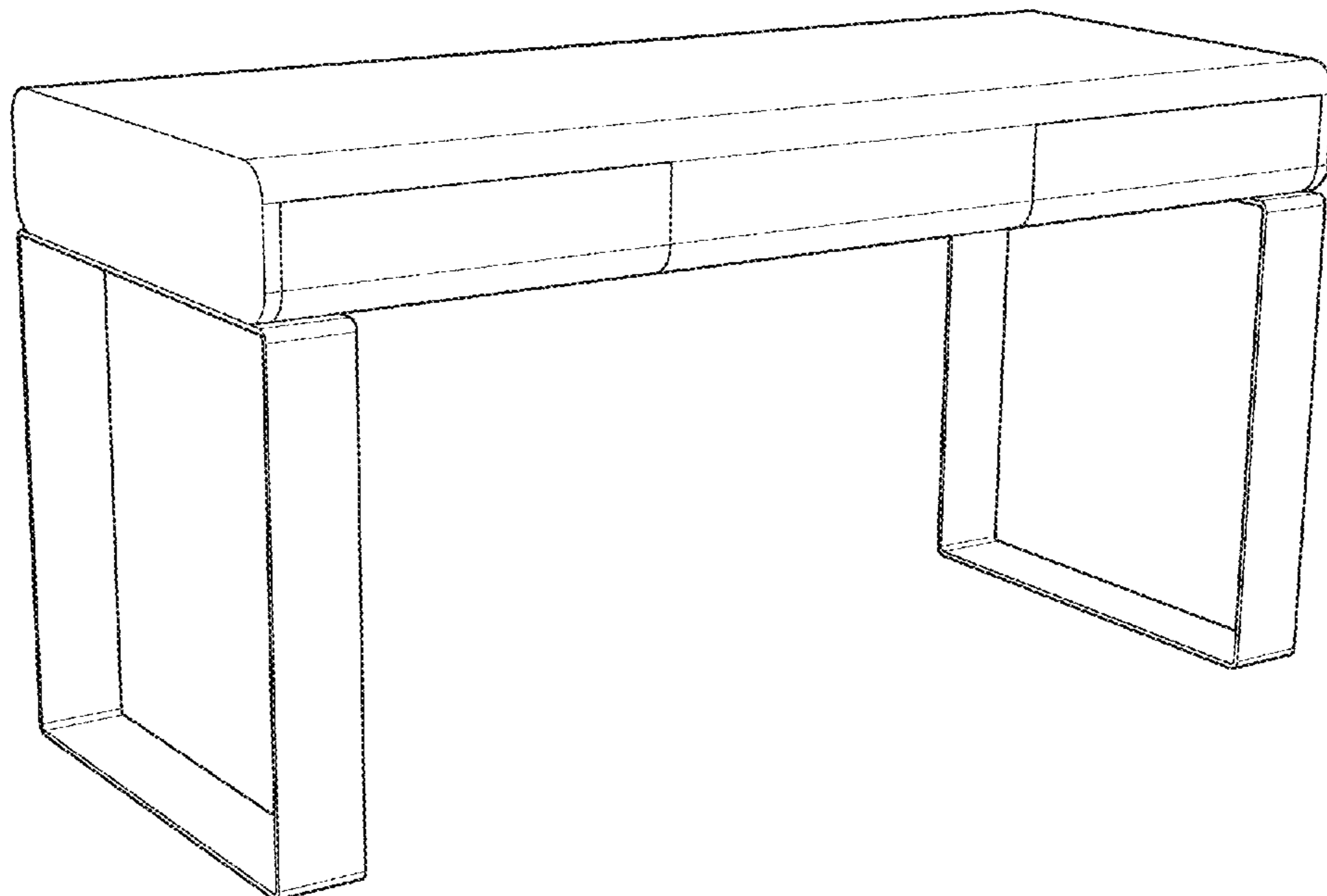
(57) **CLAIM**

The ornamental design for a desk, as shown and described.

DESCRIPTION

FIG. 1 is a perspective view of a desk according to this invention;
FIG. 2 is a front view of the desk shown in FIG. 1;
FIG. 3 is a left side view of the desk shown in FIG. 1, the right side view being a mirror image thereof;
FIG. 4 is a rear view of the desk shown in FIG. 1;
FIG. 5 is a top view of the desk shown in FIG. 1; and,
FIG. 6 is a bottom view of the desk shown in FIG. 1.
The broken lines in the drawings depict portions of the desk that form no part of the claimed design.

1 Claim, 6 Drawing Sheets



(56)

References Cited

OTHER PUBLICATIONS

Keelanscott, Coffee Table—South American Walnut, Live Edge Coffee Table, Wood Coffee Table, Walnut Coffee Table, available in etsy.com, customer review date Feb. 11, 2023 [online], [site visited Jul. 26, 2024], Internet URL: <https://www.etsy.com/listing/1321721982/coffee-table-south-american-walnut-live> (Year: 2023).*

Timbergirl, Handmade Old Reclaimed Wood Console Table (India)—60"×16"×31.5", available in bedbathandbeyond.com, customer review date Jun. 25, 2018 [online], [site visited Jul. 26, 2024], Internet URL: <https://www.bedbathandbeyond.com/Home-Garden/Handmade-Timbergirl-Old-Reclaimed-Wood-Console-Table-with-> (Year: 2018).*

Homary, Aro 47.2" White & Gold Modern Console Table Rectangular Accent Table Entryway Drawers, available in homary.com, internet archive date Oct. 2, 2023 [online], [site visited Jul. 26, 2024], Internet URL: <https://web.archive.org/web/20231002172752/https://www.homary.com/item/472-white-gold-modern-consol> (Year: 2023).*

* cited by examiner

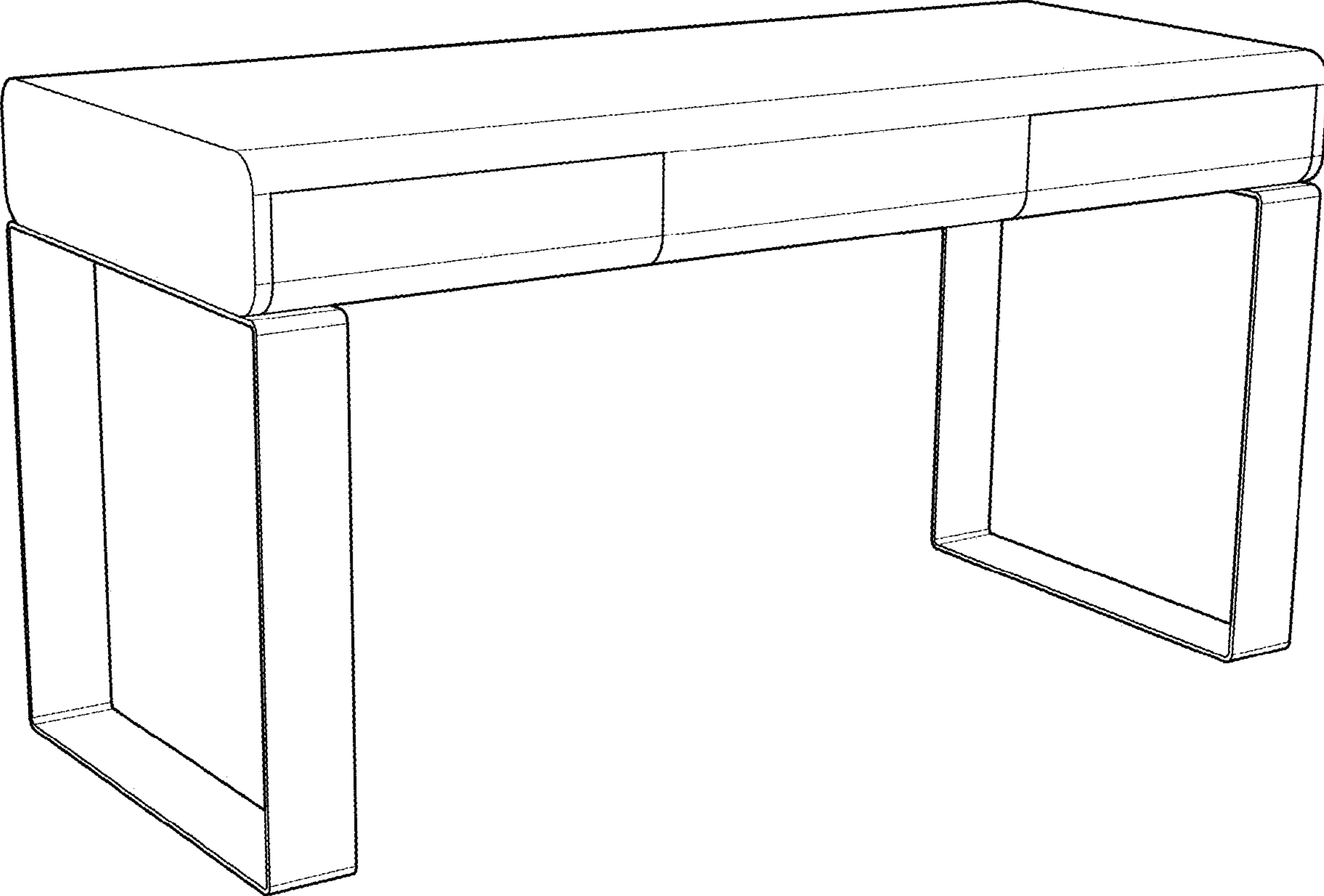


Fig. 1

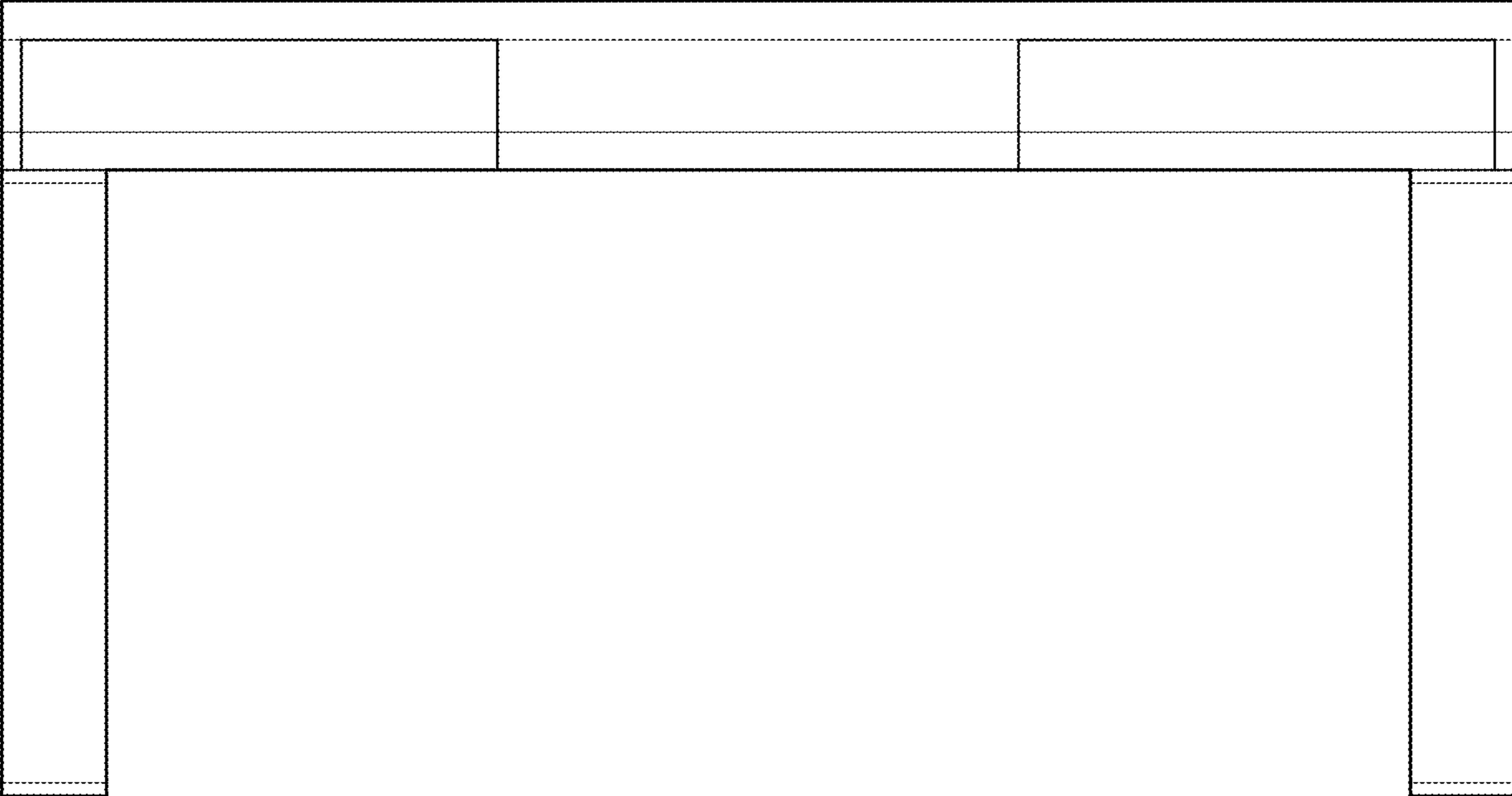


Fig. 2

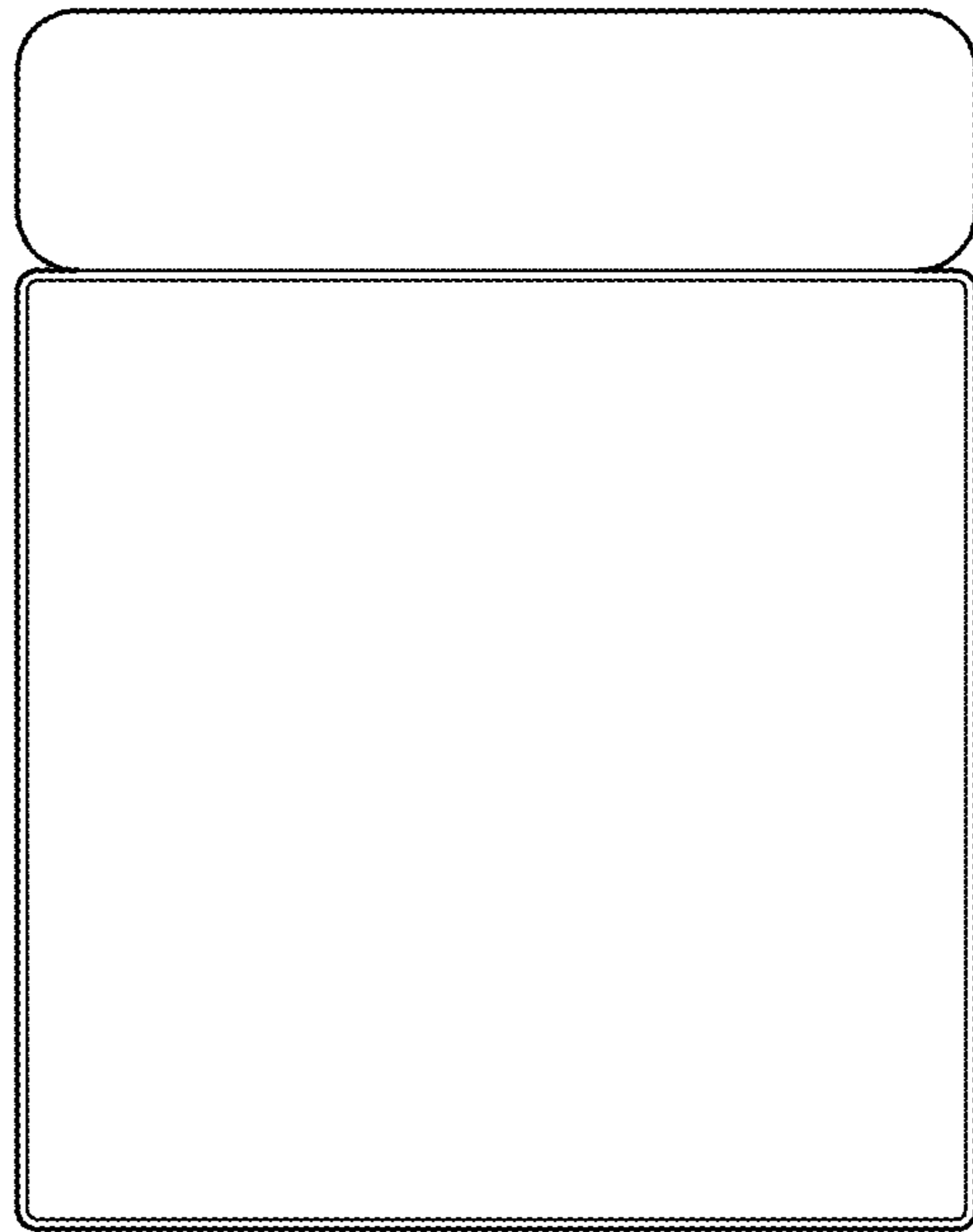


Fig. 3



Fig. 4

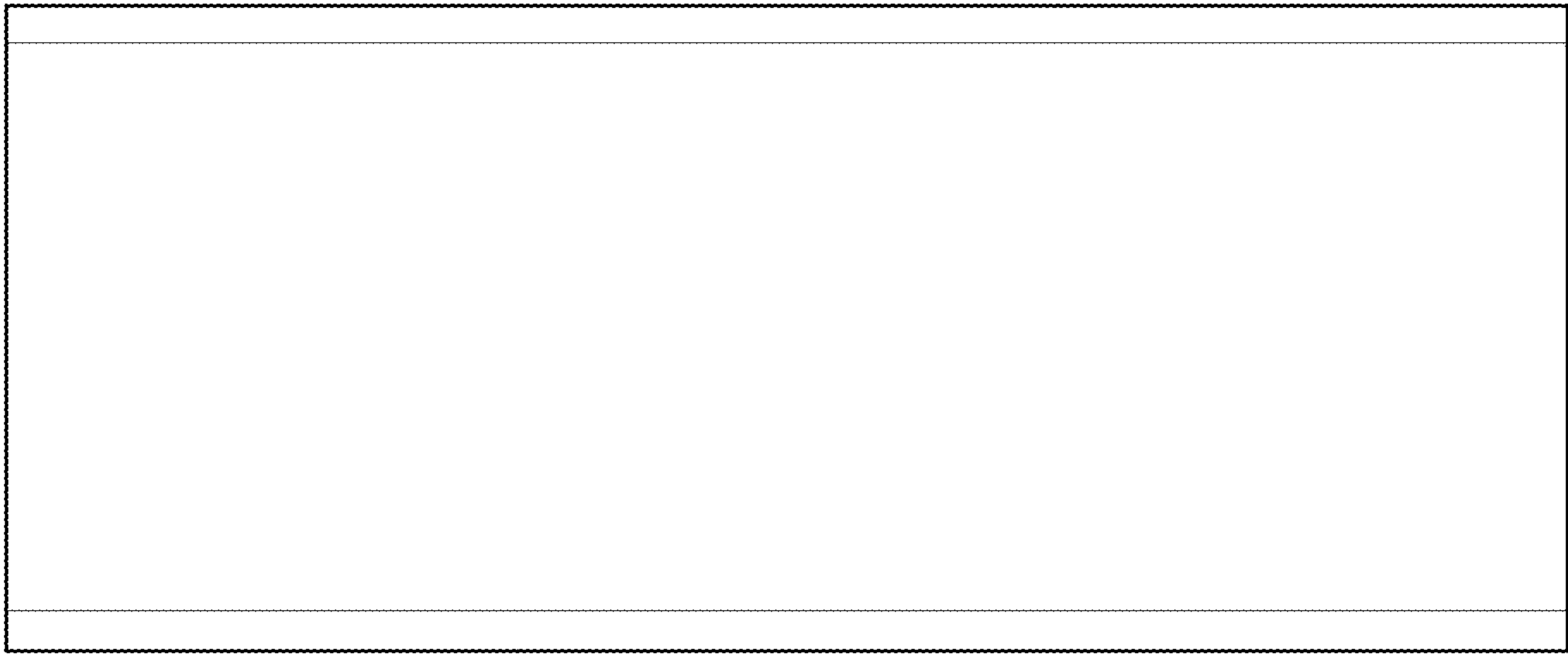


Fig. 5

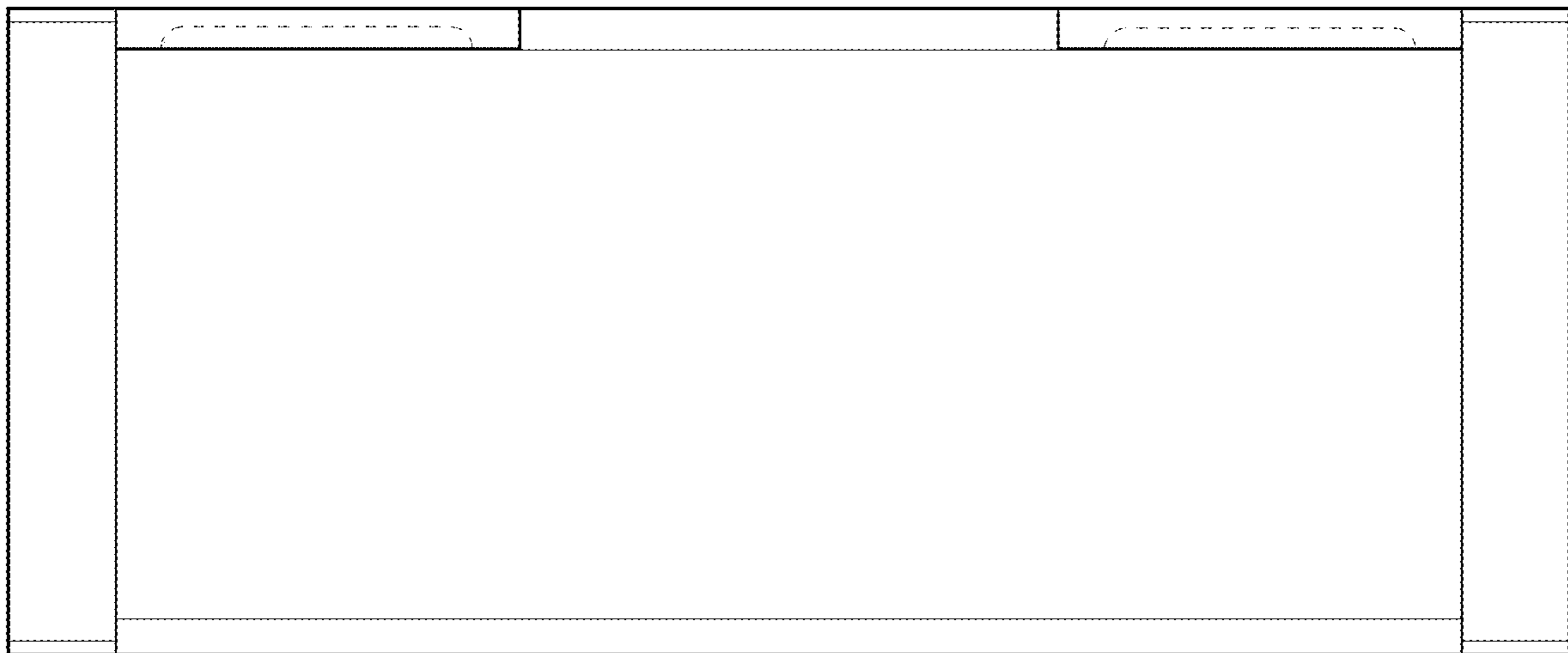


Fig. 6