



US0D1062795S

(12) **United States Design Patent** (10) **Patent No.:** **US D1,062,795 S**
Wang (45) **Date of Patent:** **** Feb. 18, 2025**

(54) **AIR PUMP**

(71) Applicant: **Aborder Products, Inc.**, Irving, TX (US)

(72) Inventor: **Xuzhong Wang**, Shenzhen (CN)

(73) Assignee: **ABORDER PRODUCTS, INC.**, Irving, TX (US)

(**) Term: **15 Years**

(21) Appl. No.: **29/877,315**

(22) Filed: **Jun. 5, 2023**

(30) **Foreign Application Priority Data**

Dec. 5, 2022 (CN) 202230813013.6

(51) **LOC (15) Cl.** **15-02**

(52) **U.S. Cl.**
USPC **D15/7**

(58) **Field of Classification Search**

USPC D15/7, 9; D13/107; D26/37, 38
CPC F04B 53/14; F04B 33/00; F04B 1/005;
F04B 39/102; F04D 13/06; F04D 29/22;
F04D 29/046; F04D 29/2266; F16K
11/048; F16K 15/20; F16K 31/602; F16L
37/18; F16L 37/20

See application file for complete search history.

(56) **References Cited**

U.S. PATENT DOCUMENTS

D307,806 S * 5/1990 Byar D26/37
D399,213 S * 10/1998 Sorensen D15/7
D405,097 S * 2/1999 Wong D15/7
D679,291 S * 4/2013 Ohm D15/7
D832,889 S 11/2018 Zheng
D842,490 S * 3/2019 Gan D24/215
D881,945 S * 4/2020 Richey D15/7

D881,946 S * 4/2020 Richey D15/7
D916,933 S * 4/2021 Sun D15/7
D928,374 S * 8/2021 Zheng D26/60
D956,826 S * 7/2022 Costle D15/7
D962,295 S * 8/2022 Chen D15/7
D970,555 S * 11/2022 Chen D15/7
D976,963 S * 1/2023 Underhill D15/7
D1,012,129 S * 1/2024 Underhill D15/9
D1,012,977 S * 1/2024 Zhong D15/7

(Continued)

FOREIGN PATENT DOCUMENTS

CN 307740850 S 12/2022
CN 307859605 S 2/2023

(Continued)

Primary Examiner — Calvin E Vansant

Assistant Examiner — Eidiol Ghigliotty Torre

(74) *Attorney, Agent, or Firm* — KLEMCHUK PLLC

(57) **CLAIM**

The ornamental design for an air pump as shown and described.

DESCRIPTION

FIG. 1 illustrates a front left perspective view of an air pump.

FIG. 2 illustrates a front right perspective view of the air pump of FIG. 1.

FIG. 3 illustrates a front view of the air pump of FIG. 1.

FIG. 4 illustrates a rear view of the air pump of FIG. 1.

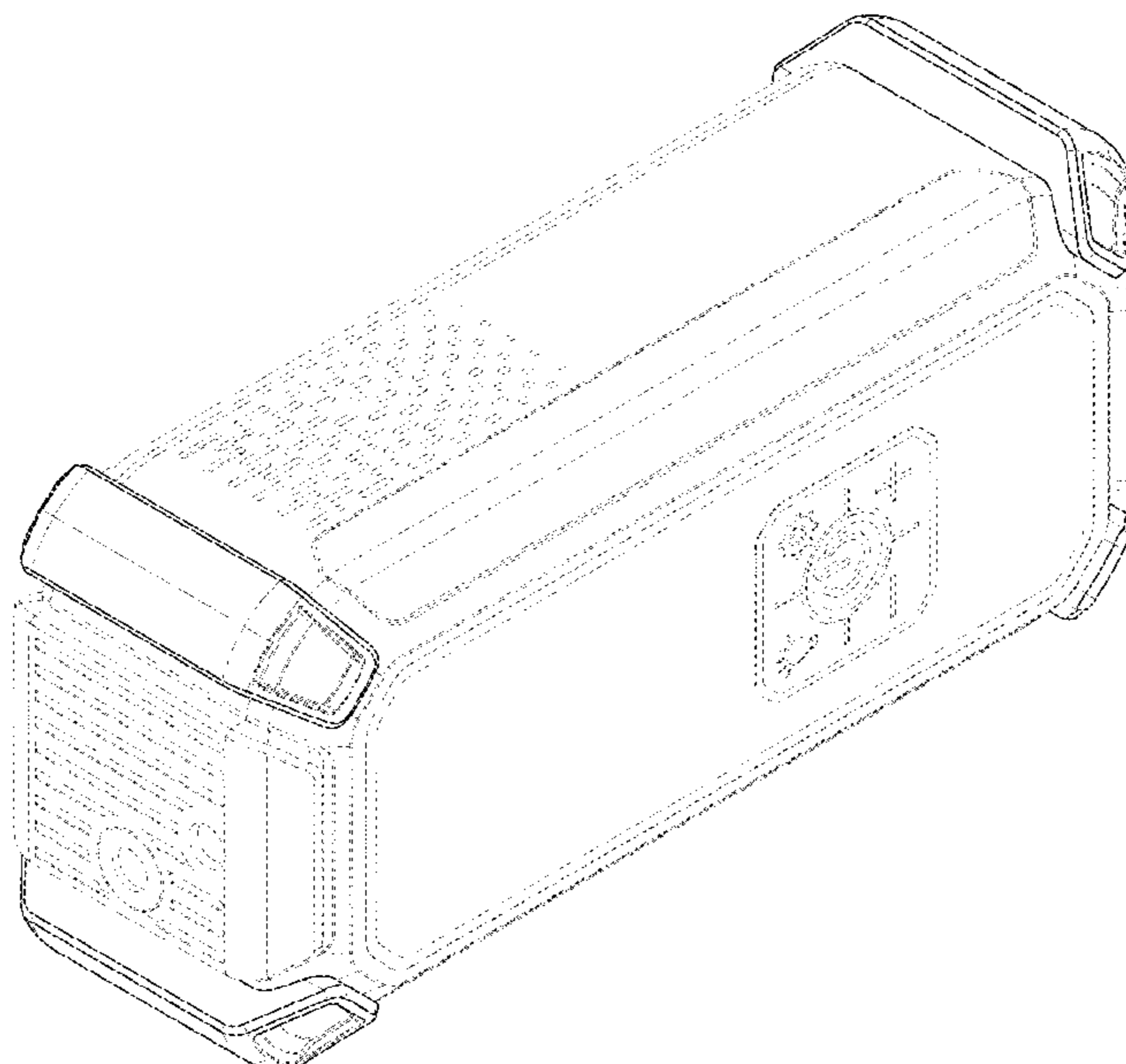
FIG. 5 illustrates a left view of the air pump of FIG. 1.

FIG. 6 illustrates a right view of the air pump of FIG. 1.

FIG. 7 illustrates a top view of the air pump of FIG. 1; and, FIG. 8 illustrates a bottom view of the air pump of FIG. 1.

The portions of the article in broken lines are shown for illustrative purposes only and form no part of the claimed design.

1 Claim, 8 Drawing Sheets



(56)

References Cited

U.S. PATENT DOCUMENTS

D1,021,964 S * 4/2024 Huang D15/7
2021/0354408 A1 * 11/2021 Costle B29C 73/166

FOREIGN PATENT DOCUMENTS

CN 307913640 S 3/2023
CN 307949259 S 4/2023

* cited by examiner

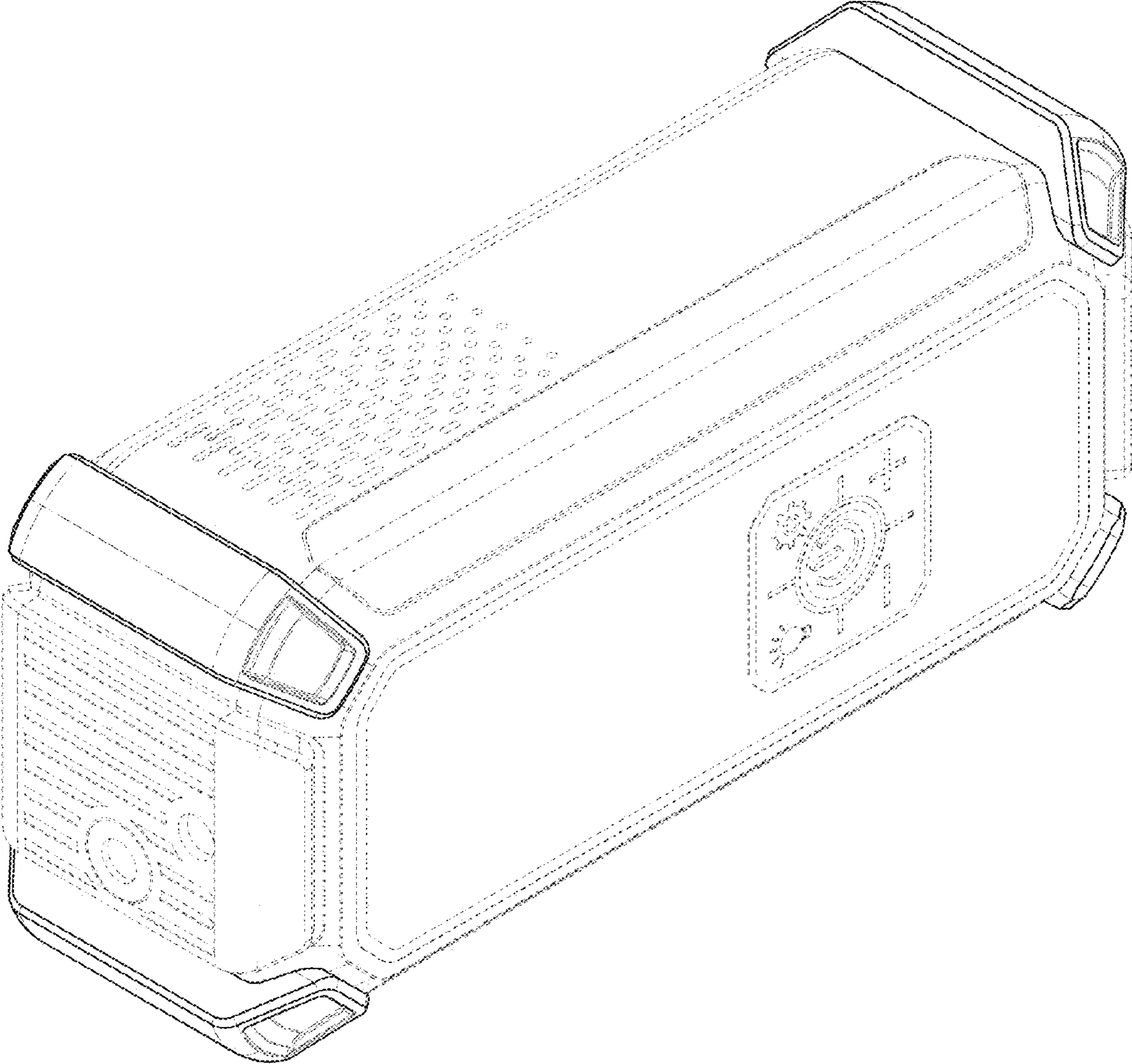


FIG. 1

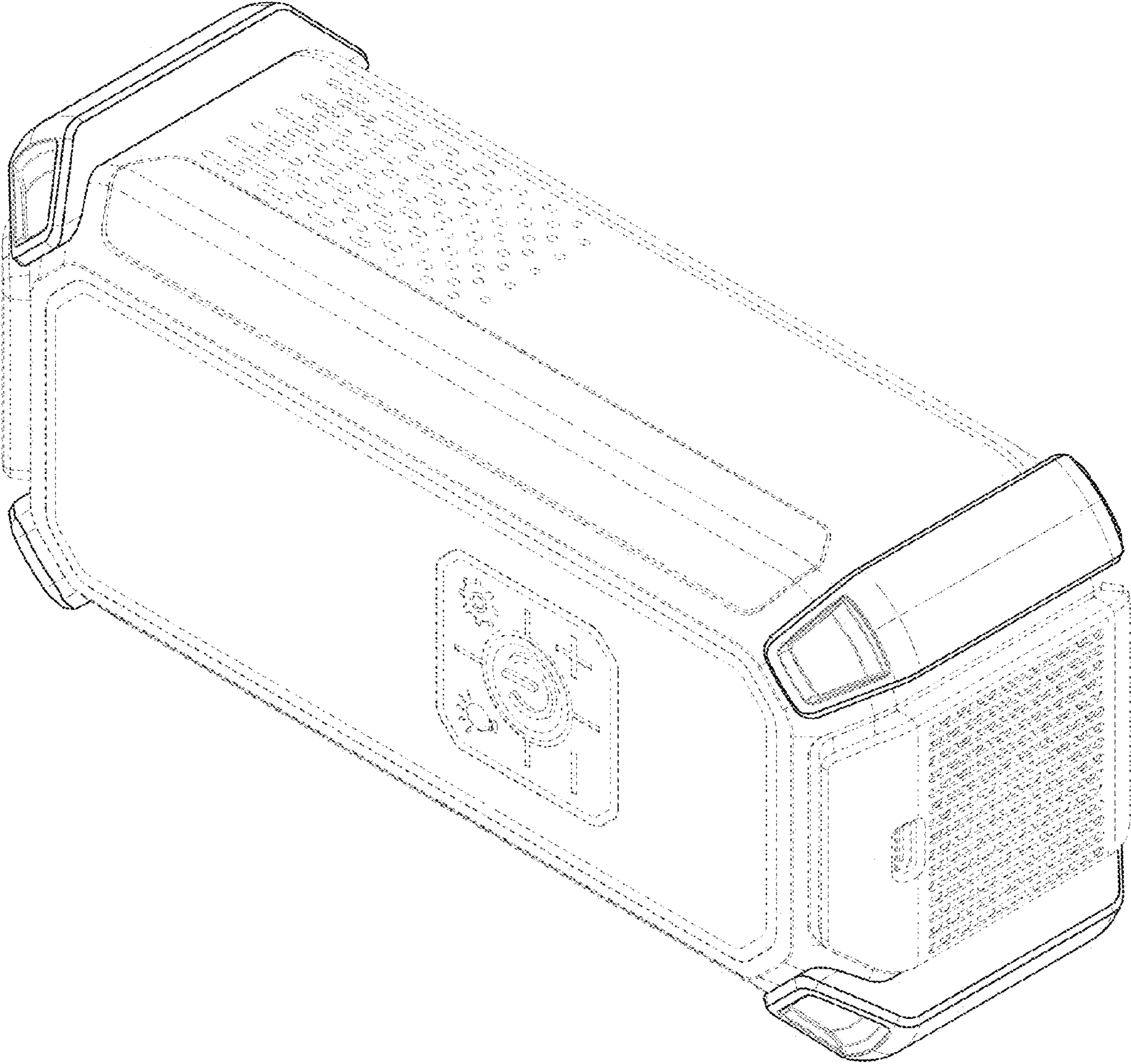


FIG. 2

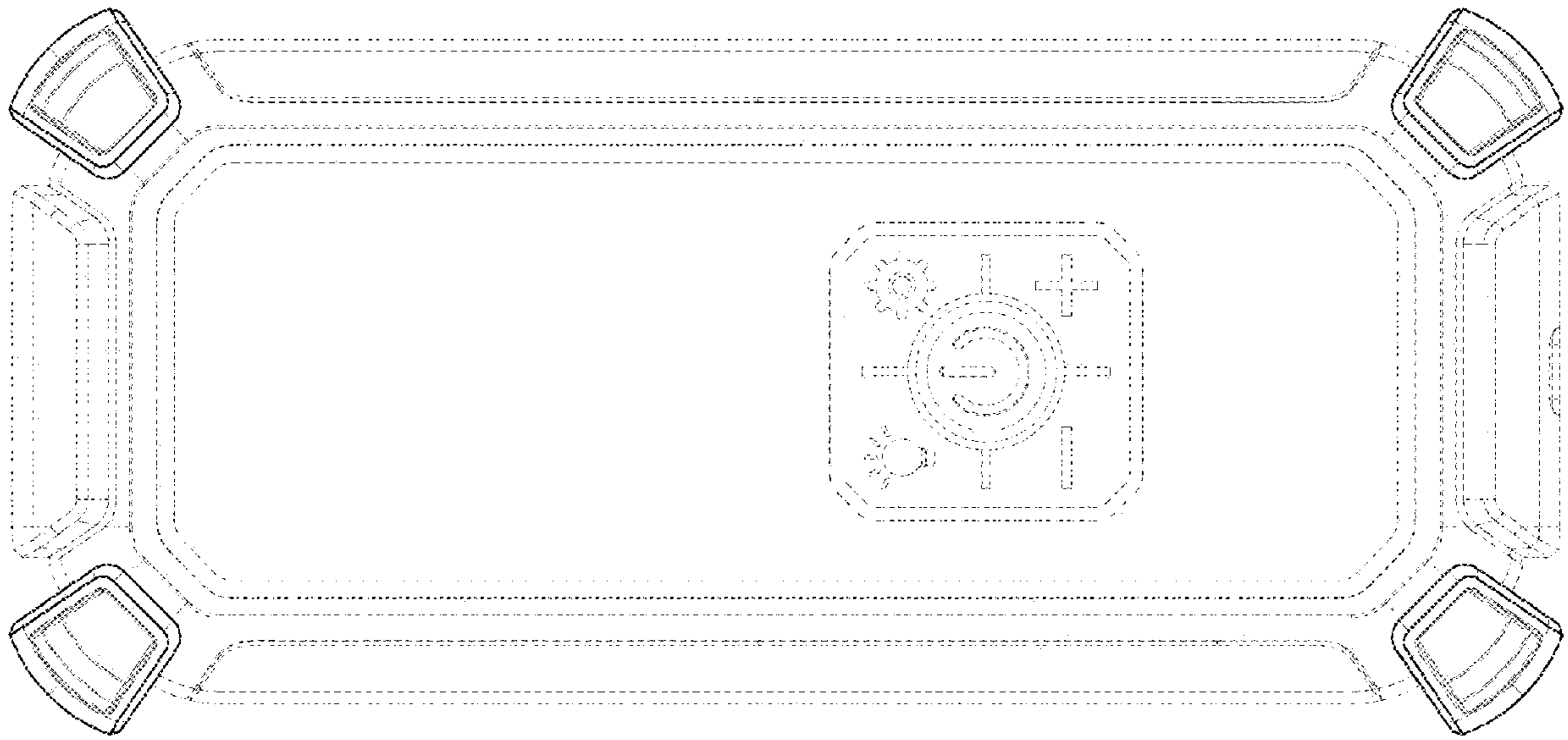


FIG. 3

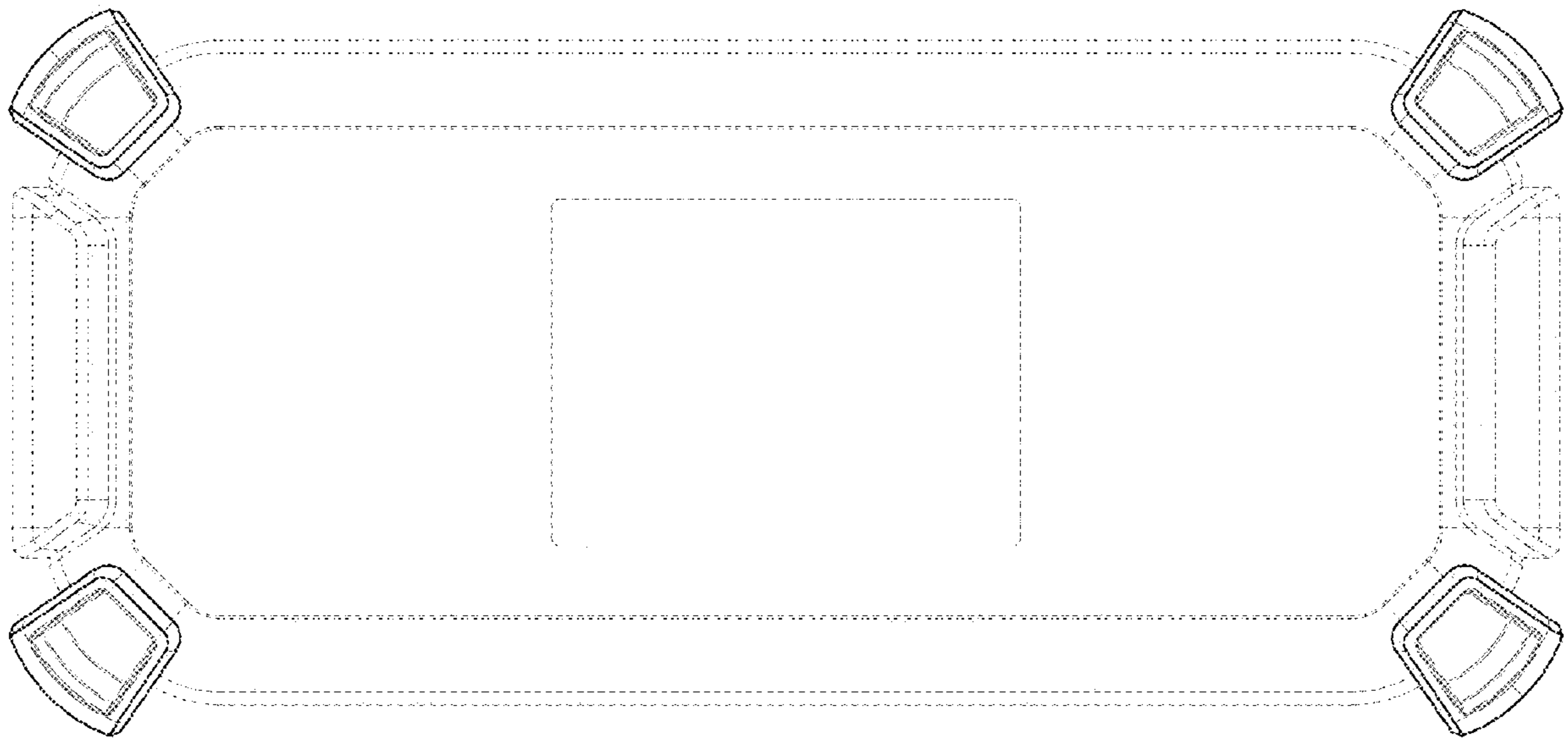


FIG. 4

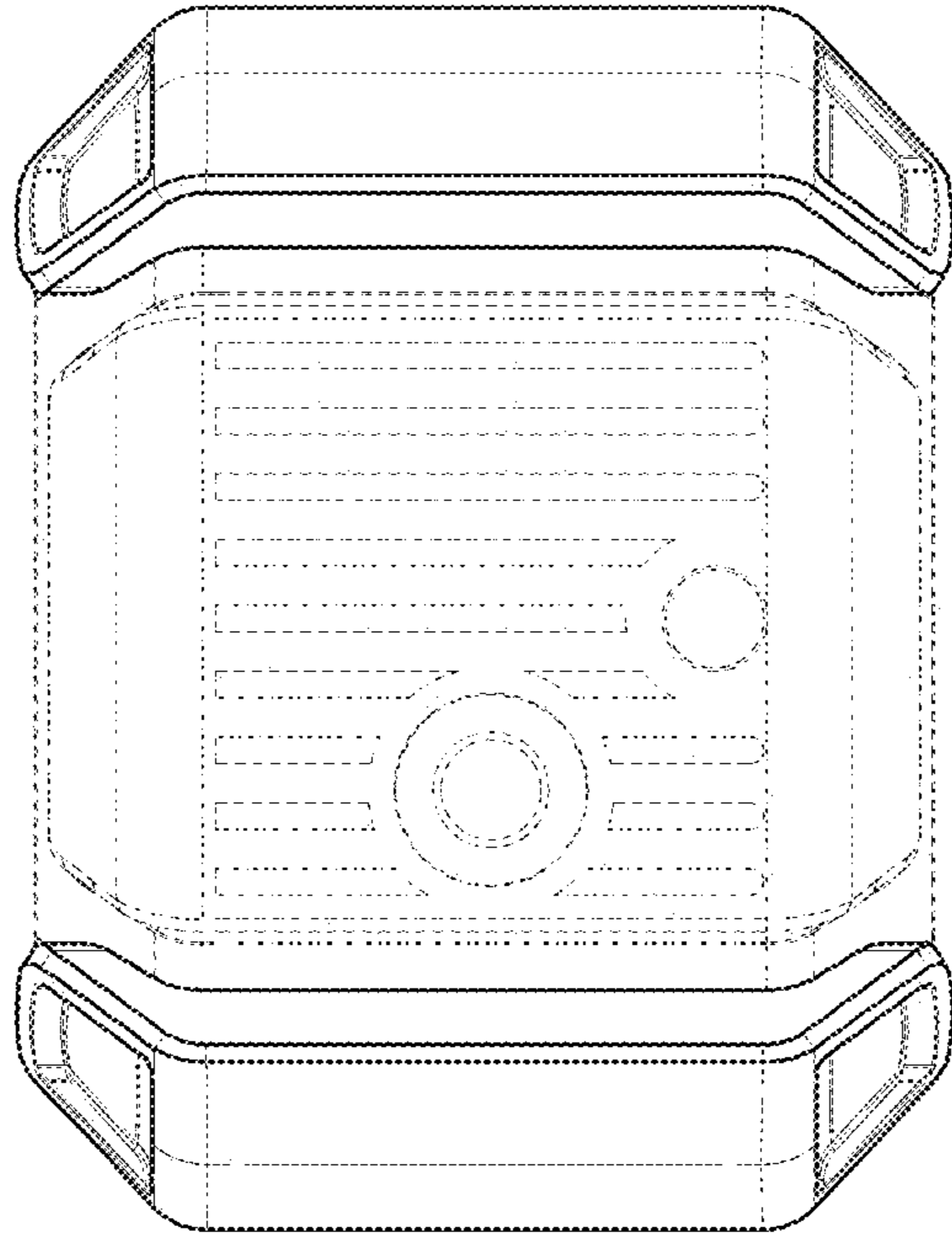


FIG. 5

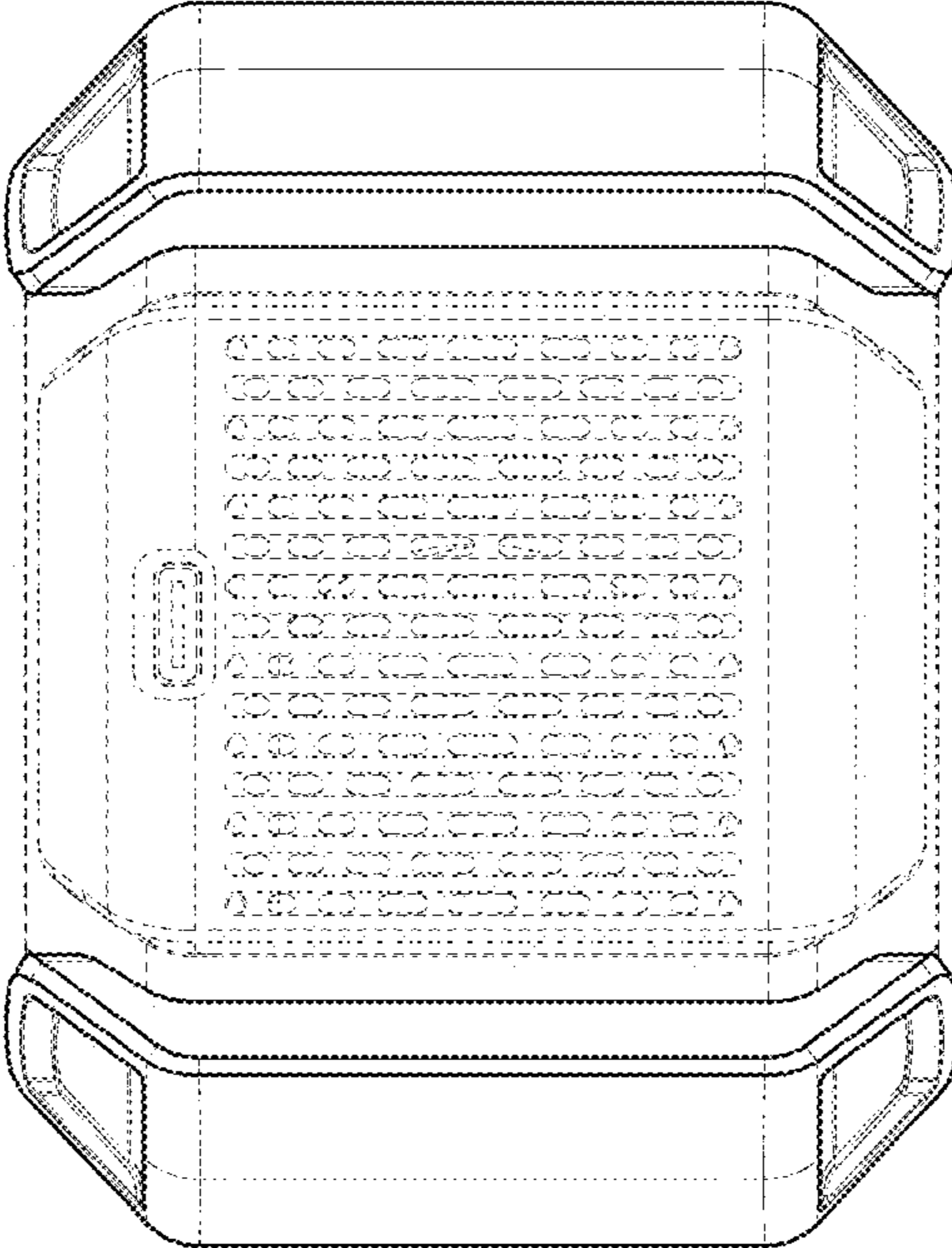


FIG. 6

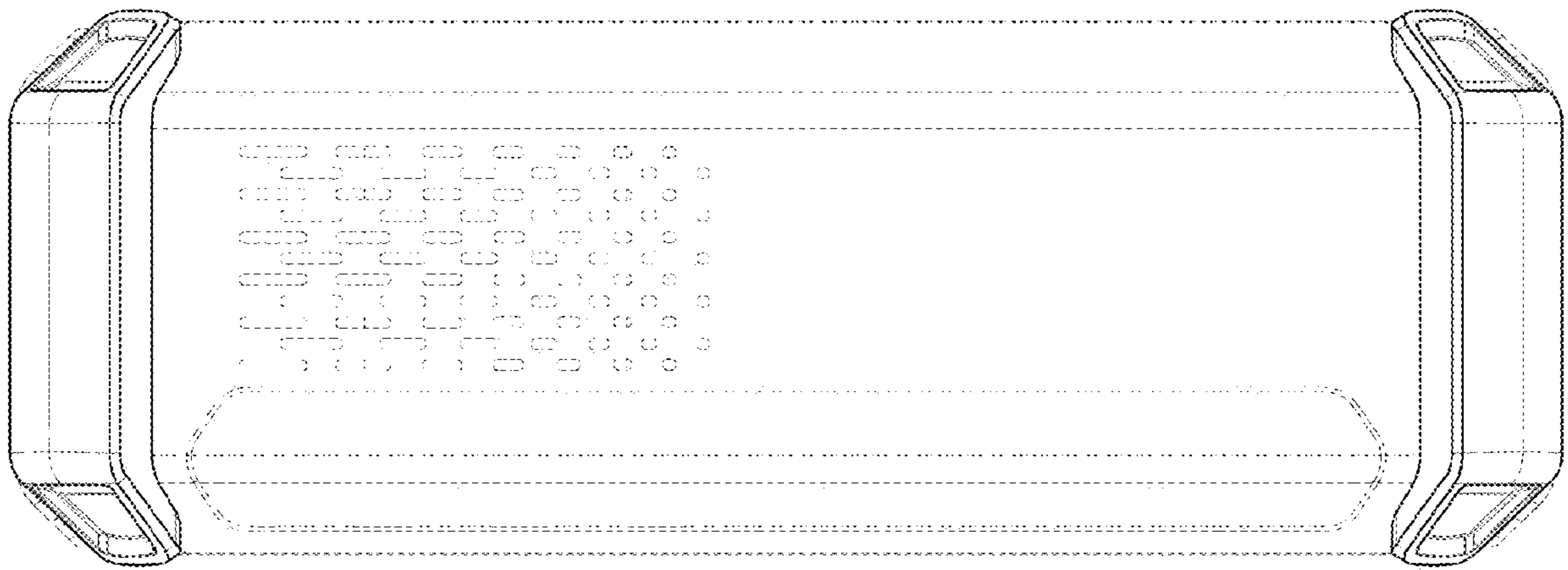


FIG. 7

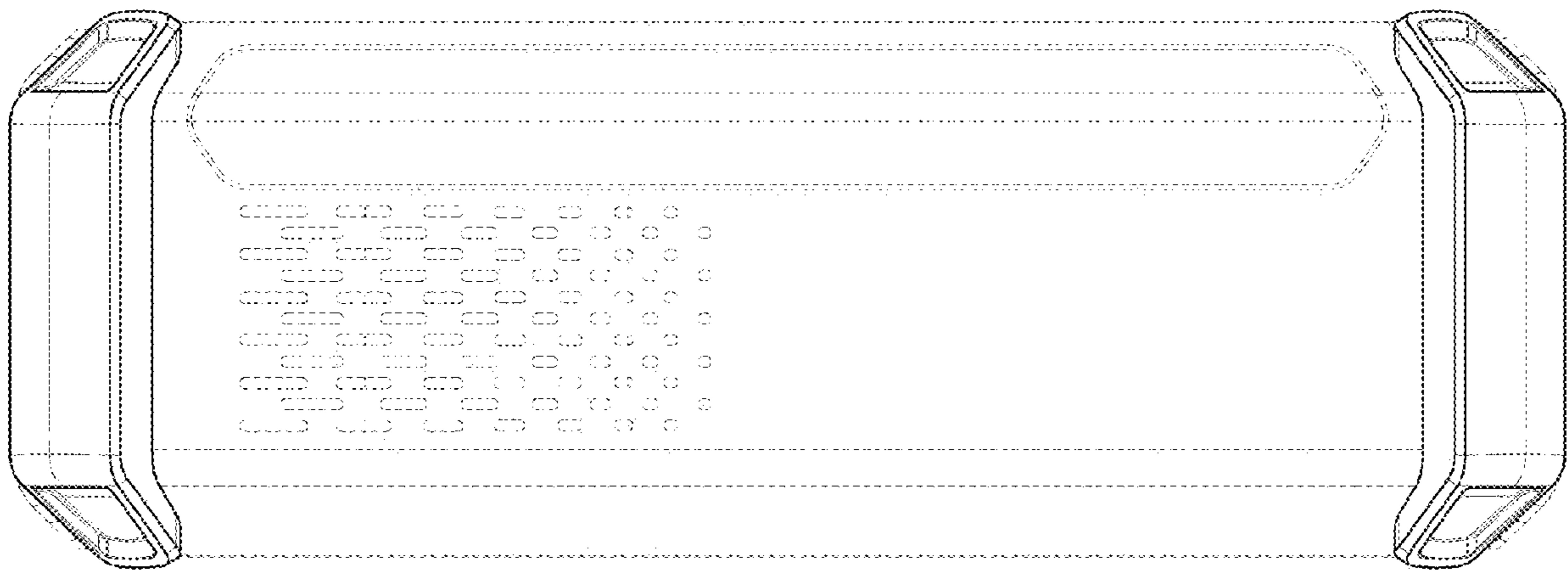


FIG. 8