



US0D1062573S

(12) **United States Design Patent**
Hix et al.

(10) **Patent No.: US D1,062,573 S**

(45) **Date of Patent: ** Feb. 18, 2025**

(54) **MODEL VEHICLE WHEEL**

(71) Applicant: **TRAXXAS, L.P.**, McKinney, TX (US)

(72) Inventors: **Caleb Hix**, McKinney, TX (US); **Trent Collins**, McKinney, TX (US); **Otto Karl Allmendinger**, Rowlett, TX (US); **Adam Cole Ewing**, McKinney, TX (US)

(73) Assignee: **TRAXXAS, L.P.**, McKinney, TX (US)

(**) Term: **15 Years**

(21) Appl. No.: **29/898,039**

(22) Filed: **Jul. 21, 2023**

(51) **LOC (15) Cl.** **12-16**

(52) **U.S. Cl.**
USPC **D12/209**; D21/563

(58) **Field of Classification Search**
USPC D12/204–213, 501; D21/563, 779
CPC B60B 7/00; B60B 7/01; B60B 7/02; B60B 7/04; B60B 7/06; B60B 3/02; B60B 3/04; B60B 3/06; B60B 3/10; B60B 1/00; B60B 1/08; B60B 1/10; B60B 1/12; B60B 21/00

See application file for complete search history.

(56) **References Cited**

U.S. PATENT DOCUMENTS

1,978,026	A	10/1934	Miller	
2,731,301	A	1/1956	Lyon	
D206,873	S	2/1967	Reid	
D207,951	S	6/1967	Hibbard	
D213,315	S *	2/1969	Reid	D12/211
D221,934	S	9/1971	Main et al.	
D223,534	S	5/1972	Reid	
D224,101	S *	7/1972	Richter	D12/209
D225,842	S *	1/1973	Clement	D12/209
D226,376	S	2/1973	Main et al.	
3,767,267	A *	10/1973	Clement	B60B 3/12 301/63.109

D231,656	S *	5/1974	Ishibashi	D12/211
D237,067	S	10/1975	Sandberg	
D238,063	S *	12/1975	Clement	D12/209

(Continued)

FOREIGN PATENT DOCUMENTS

CA	181803	3/2019
CN	200530094761	7/2006

(Continued)

OTHER PUBLICATIONS

Hobby Town, Published date unavailable [online], [retrieved on Dec. 8, 2024]. Retrieved from the Internet: <https://www.hobbytown.com/traxxas-wheels-1.0in-satin-chrome-tra9869/p1522522> (Year: 2024).*

(Continued)

Primary Examiner — Mark A Goodwin

(74) *Attorney, Agent, or Firm* — Daryl R. Wright; Greg Carr

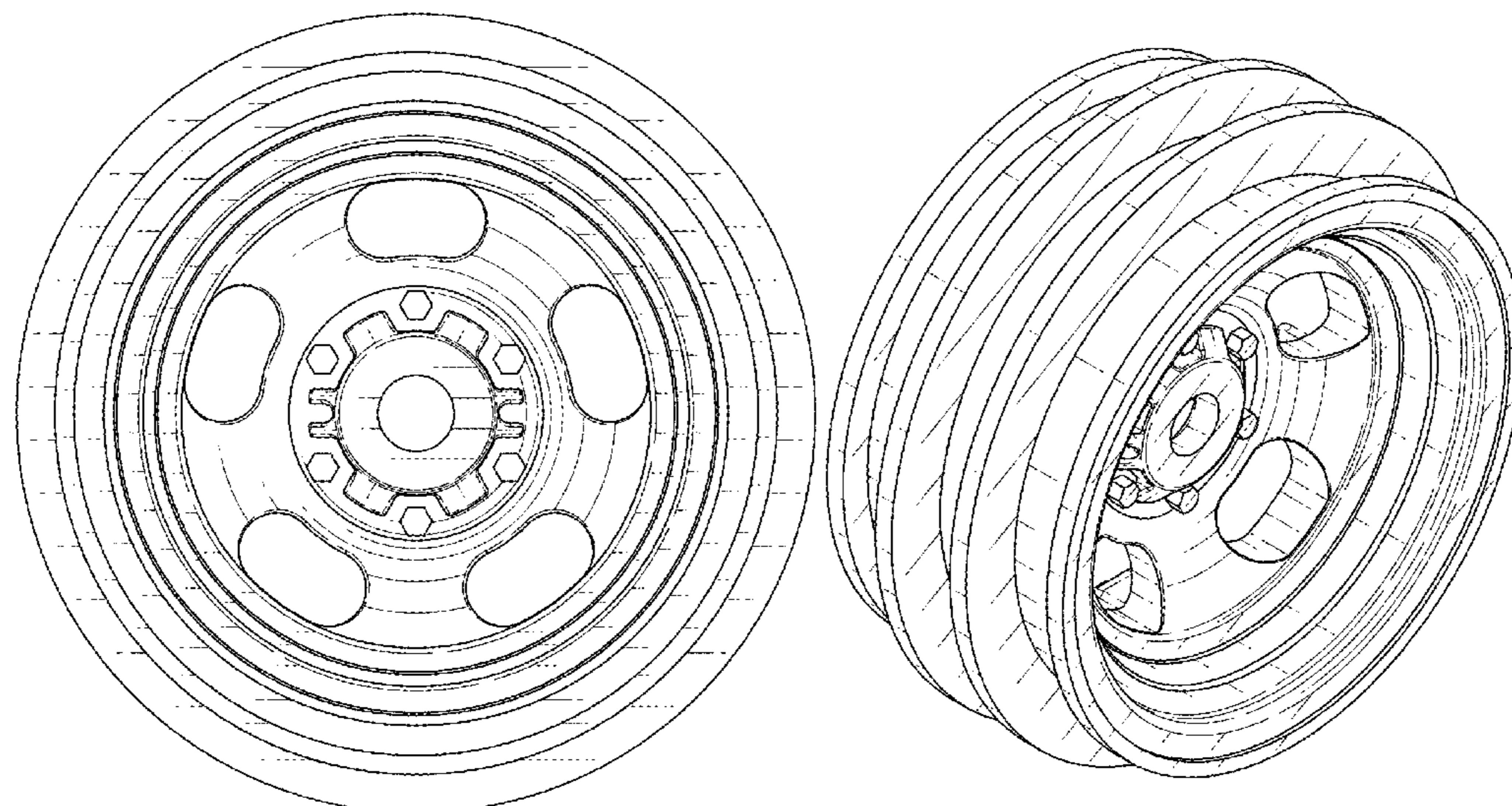
(57) **CLAIM**

The ornamental design for a model vehicle wheel as shown and described.

DESCRIPTION

FIG. 1 is a left side elevation view of a model vehicle wheel showing our new design;
FIG. 2 is a right side elevation view thereof;
FIG. 3 is a front elevation view thereof;
FIG. 4 is a rear side elevation view thereof;
FIG. 5 is an upper plan view thereof;
FIG. 6 is a lower plan view thereof;
FIG. 7 is an upper, left, rear perspective view thereof;
FIG. 8 is an upper, right, front perspective view thereof;
FIG. 9 is a lower, left, rear perspective view thereof, and,
FIG. 10 is a lower, right, front perspective view of the model vehicle wheel.

1 Claim, 7 Drawing Sheets



(56)

References Cited

U.S. PATENT DOCUMENTS

D285,676 S *	9/1986	Clark	D12/209	D753,048 S	4/2016	Chan	
D316,731 S	5/1991	Tsuchiya			D753,571 S	4/2016	Juergens et al.	
D333,648 S	3/1993	Schwenk			D769,169 S	10/2016	Kumeya et al.	
D361,546 S	8/1995	Weld			D769,785 S	10/2016	Wells	
D361,975 S	9/1995	Weld			D775,576 S	1/2017	Liffick	
D375,285 S	11/1996	Honer			D780,654 S	3/2017	Gallert	
D420,637 S	2/2000	Glade			D780,656 S	3/2017	Bjerke	
D427,960 S *	7/2000	Sacco	D12/209	D783,495 S	4/2017	Hale, Jr.	
6,089,671 A	7/2000	Iacovelli et al.			D784,238 S	4/2017	Chu et al.	
D444,118 S	6/2001	Chung			D784,462 S	4/2017	Barajas et al.	
D459,689 S	7/2002	Hieke			D787,407 S	5/2017	Chung	
6,439,670 B1	8/2002	Winters			D788,670 S	6/2017	Chung	
D466,067 S	11/2002	Muzzarelli			D790,427 S	6/2017	Palana	
D469,728 S	2/2003	Kataoka			D791,057 S	7/2017	Johnson	
D470,449 S	2/2003	Bernoni			D791,668 S	7/2017	Murase	
6,623,086 B1	9/2003	Goodman			D796,407 S	9/2017	Krause	
D481,982 S	11/2003	Takechi			D797,029 S	9/2017	Chung	
D483,313 S	12/2003	Lenz			D799,394 S	10/2017	Yamashita	
D488,760 S	4/2004	Kato			D801,253 S	10/2017	Taylor	
D492,234 S	6/2004	Kataoka			D802,685 S	11/2017	Barajas et al.	
D499,683 S	12/2004	Kushartanto			D803,130 S	11/2017	Taylor	
D500,006 S	12/2004	Cahyono			D805,455 S	12/2017	Kong	
D504,650 S	5/2005	Ishiwata			D805,990 S	12/2017	Mizutani	
D513,218 S	12/2005	Fitgerald			D806,628 S	1/2018	Schell et al.	
D524,216 S	7/2006	Scheu			D810,648 S	2/2018	Chung	
D530,757 S	10/2006	Jones			D824,314 S	7/2018	Chung	
D534,968 S	1/2007	Proch			D828,462 S	9/2018	Sprowl	
D536,293 S	2/2007	Brouillette et al.			D828,878 S	9/2018	Sprowl	
D539,203 S	3/2007	Danbom et al.			D829,152 S	9/2018	Caldwell	
D542,729 S	5/2007	Hieke			D833,942 S	11/2018	Chung	
D543,493 S	5/2007	Kim			D842,205 S	3/2019	Kraljevic	
D546,264 S	7/2007	Young			D842,795 S	3/2019	Groth	
7,246,860 B1	7/2007	Seitz			D845,861 S *	4/2019	Tran D12/209
D550,600 S	9/2007	Celik			D849,645 S	5/2019	Khachatryan	
D569,778 S	5/2008	Kim			D849,654 S	5/2019	Kong	
D570,758 S	6/2008	Bhambra			D849,657 S	5/2019	Kong	
D579,398 S	10/2008	Kim			D851,183 S	6/2019	Wood et al.	
D582,827 S	12/2008	Musser			D855,002 S	7/2019	Ranum	
D583,292 S	12/2008	Chung			D856,249 S *	8/2019	Haney D12/209
D587,181 S	2/2009	Musser			D856,893 S	8/2019	Ramthun	
D590,315 S	4/2009	Chung			D860,905 S	9/2019	Tran	
D590,322 S	4/2009	Rak			D862,612 S	10/2019	Sprowl et al.	
D597,012 S	7/2009	Chung			D865,080 S	10/2019	Sprowl et al.	
D603,778 S	11/2009	Chung			D865,621 S	11/2019	Han	
D614,108 S	4/2010	Varga			D883,168 S	5/2020	Sempek	
D617,722 S	6/2010	Zhao			D887,938 S	6/2020	Stone et al.	
D619,072 S	7/2010	Gallert			D889,565 S	7/2020	Sprowl	
D620,864 S	8/2010	Groom			D889,566 S	7/2020	Ewing et al.	
D627,698 S	11/2010	Zhang			D896,151 S	9/2020	Piscitelli	
D628,135 S	11/2010	Zhao			D896,725 S	9/2020	Valencia Pollex	
D633,028 S	2/2011	Kim			D897,452 S	9/2020	Lin	
D636,319 S	4/2011	Toth			D902,821 S	11/2020	Licklitter	
D639,220 S	6/2011	Zhao			D902,822 S *	11/2020	Carbis D12/209
D639,221 S	6/2011	Johnson			D906,938 S	1/2021	Sempek	
D662,021 S	6/2012	Grossenbacher			D909,269 S	2/2021	Fanizza	
D662,868 S	7/2012	Furst et al.			D910,524 S	2/2021	Han	
D663,668 S	7/2012	Pollmann			D913,894 S	3/2021	Lee	
D670,227 S	11/2012	Chung			D913,897 S	3/2021	VanRyn	
D671,875 S	12/2012	Camacho et al.			D917,368 S	4/2021	Kaneko et al.	
D680,938 S	4/2013	Hale, Jr.			D921,772 S	6/2021	Hagler et al.	
D688,188 S	8/2013	Baum			D921,773 S	6/2021	Hagler et al.	
D697,008 S	1/2014	Juergens et al.			D922,295 S	6/2021	Grand et al.	
D697,010 S	1/2014	Lorinser			D926,099 S	7/2021	Yeh	
D705,154 S	5/2014	Harriton			D926,265 S	7/2021	Ewing et al.	
D719,893 S	12/2014	Kim			D930,087 S	9/2021	Barajas et al.	
D722,937 S	2/2015	Johnson			D933,571 S	10/2021	Patel	
D725,567 S	3/2015	George et al.			D936,556 S	11/2021	Sempek	
D726,620 S	4/2015	Licklitter			D937,736 S	12/2021	Podlovits	
D727,822 S	4/2015	Wheel			D938,528 S	12/2021	Lin	
D727,829 S	4/2015	Chung			D941,728 S	1/2022	Kleinschuster et al.	
D729,721 S	5/2015	Fahr-Becker			D942,348 S	2/2022	Kleinschuster et al.	
D730,799 S	6/2015	Hans et al.			D944,335 S *	2/2022	Sprowl D21/563
D733,025 S	6/2015	Chung			D961,481 S	8/2022	Tran	
D741,240 S	10/2015	Melabiotis et al.			D966,984 S *	10/2022	Carbis D12/209
D743,315 S	11/2015	Perini			D969,702 S	11/2022	Sempek	
					D995,392 S	8/2023	Narciso	
					D997,820 S	9/2023	Ricehouse	
					D997,831 S	9/2023	Harriton et al.	
					D997,832 S	9/2023	Ricehouse	

(56)

References Cited

U.S. PATENT DOCUMENTS

D1,009,747	S	1/2024	Williams
D1,014,385	S	2/2024	Collins et al.
D1,017,499	S	3/2024	Han
2007/0018496	A1	1/2007	McCorquodale
2017/0080350	A1	3/2017	Allmendinger et al.
2020/0247179	A1	8/2020	Christensen et al.
2021/0291586	A1	9/2021	Wallace et al.

FOREIGN PATENT DOCUMENTS

CN	304967598	12/2018
CN	305062663	3/2019
DE	402017100863-0001	7/2018
EM	005817137-0004	11/2018
EM	007872338-0003	5/2020
GB	9007076641-0001	10/2019
GB	6258137	2/2023
GB	6291772	7/2023
GB	6339198	1/2024
JP	D1642070	9/2019
TW	D114104 S	12/2006
TW	D141989 S	8/2011
TW	D143556 S	11/2011
WO	2021046302	3/2021

OTHER PUBLICATIONS

KMD XD Series XD228 Machete Desert Beadlock Machined Custom Wheels Rims; <http://www.customwheelsexpress.com/custom-wheels-by-brand-xd-series-by-kmc-kmc-xd-series-xd228-machete-desert-beadlock-machined-custom-wheels-rims-p-2930.html>; Aug. 2016.

MSA M21 LOK (Beadlock); <https://msawheels.com/wheels/m21-lok/>; Aug. 2016.

OMF Performance Products; Beadlocked Wheels; https://www.omfperformance.com/beadlocked_wheels_uq.php; Aug. 2016.

Taiwan IPO Search Report; completed Aug. 4, 2016; regarding Taiwan Design Patent Application No. 105301436.

Zach, "Tires not glued the best," Aug. 25, 2018 (review with photo), amazon.com, site visited Dec. 13, 2021, URL: <https://www.amazon.com/Traxxas-Raptor-Slash-GOODRICH-Wheels/dp/B00ERU9RN0> (Year: 2018).

Andy Dunkin, "Great tires for the money," Apr. 12, 2019 (review with photo), amazon.com, site visited Dec. 13, 2021, URL: https://www.amazon.com/Traxxas-Goodrich-Terrain-Pre-Glued-Beadlock-Style/dp/B002U5BPPM/ref=sr_1_49?keywords=traxxas+maxx+tires&qid=1639427729&sr=8-49 (Year: 2019).

Rick, "Great wheels!" Jan. 24, 2019 (review with photo), amazon.com, site visited Dec. 14, 2021, URL: <https://www.amazon.com/dp/B07MH4GW4G/?th=1> (Year: 2019).

"Hot Rods by Boyd," Apr. 13, 2015, facebook.com, site visited Dec. 14, 2021, URL: <https://www.facebook.com/HOTRODSBYBOYD/photos/810287932358862> (Year: 2015).

Dave Arnouts, "This LT-Powered 1957 Chevy Built By BRP HotRods Is More Than Cool," Oct. 13, 2017, chevyhardcore.com, site visited Dec. 14, 2021, URL: <https://www.chevyhardcore.com/news/this-lt-powered-1957-chevy-built-by-brp-hotrods-is-more-than-cool/> (Year: 2017).

"Traxxas 8472 Desert Racer Wheels," May 16, 2018, amazon.ca, site visited Dec. 14, 2021, URL: https://www.amazon.ca/Traxxas-8472-Desert-Wheels-Bfgoodrich/dp/B07B6TS9B2/ref=sr_1_75?keywords=traxxas+wheels&qid=1639489322&sr=8-75 (Year: 2018).

"Hot Rods by Boyd," Aug. 26, 2019, facebook.com, site visited Dec. 14, 2021, URL: <https://www.facebook.com/HOTRODSBYBOYD/photos/2365060463548260> (Year: 2019).

Traxxas XRT 8S Extreme 4WD Brushless RTR Race Monster Truck (Green) w/TQi 2.4GHz Radio & TSM, as shown in www.hobbytown.com, Nov. 18, 2022, Part # TRA78086-4-GRN. (Year: 2022).

Traxxas XRT Wheels (Race Black) (2), as shown in www.hobbytown.com, May 22, 2023, Part # TRA7874. (Year: 2023).

Xrt, X-Maxx, Belted Tires, Wheels, as shown in www.amazon.com, Dec. 27, 2023, ASIN B0CR1YVL7D. (Year: 2023).

Traxxas Method 105 1.9" Beadlock Wheels (Black Chrome) (2), as shown in www.hobbytown.com, Jun. 15, 2018, Part # TRA8173. (Year: 2018).

Vanquish Products Method 105 1.9" Beadlock Crawler Wheels (Black/Silver) (2), as shown in www.hobbytown.com, Mar. 28, 2016, Part # VPS07911. (Year: 2016).

RCAWD Full Brass 1.0 Beadlock Wheel Rim & Wheel Lock Nut for Axial 1/24 SCX24 AX24 Upgrades Part, as shown in www.amazon.com, no date listed, date found Jun. 24, 2024, ASIN B0D2DFR1FM. (Year: 2024).

RT51 Black Daytona Beadlock, as shown in www.racelinewheels.com, no date listed, date found Jun. 24, 2024. (Year: 2024).

Method Race Wheels, MR305 NV, as shown in www.discounttire.com, no date listed, date found Jun. 24, 2024. (Year: 2024).

Injora 1.3 Beadlock Wheel Rims—Aluminum Wheel Rims 23g for SCX24 TRX4M Upgrade 1/24 1/18 RC Crawler Car (Black), as shown in www.amazon.com, Feb. 8, 2024, ASIN B0CQ8FS58X. (Year: 2024).

CrazyHobby, Aluminum 1.9 Beadlock Wheels and Tires for Traxxas TRX4 Axial SCX10 II III RR10 Wraith Redcat Gen 8 Gen 7 RC4WD 1/10 Scale RC Crawler Rocks Mud (Color 3), as shown in www.amazon.com, Aug. 30, 2022, ASIN B0BCHSXM3M. (Year: 2022).

Globact Aluminum 1.9 Inch Beadlock Wheels RC Wheel Rim Set Wheel Hub for 1/10 RC Crawler TRX4 TRX6 Axial SCX10 I II III 90046 AXI103007 Redcat GEN7 GEN8 RC4WD D90 12mm Hex (4Pcs Black Grey), as shown in www.amazon.com, Jul. 4, 2022, ASIN B09WHLLJ29. (Year: 2022).

Old School Aluminum Slotted Mag Wheels - Extreme Makeover Autogeek, posted Aug. 14, 10 [online], [retrieved Apr. 16, 24]. Retrieved from internet, <https://www.autogeekonline.net/forum/how-to-articles/27892-old-school-aluminum-slotted-mag-wheels-extreme-makeover.html> (Year: 2010).

Traxxas Ford F150 TRX-4 First Run—Unstoppable! YouTube, posted Feb. 15, 2023 [online], [retrieved Apr. 16, 2024]. Retrieved from internet, https://www.youtube.com/watch?v=CnKSmAJ_nCc (Year: 2023).

Pro-Line Slot Mag Drag Spec 2.2"/3.0" Grey Rear Wheels Euro RC, posting date N/A [online], [retrieved Apr. 16, 2024]. Retrieved from internet, <https://www.eurorc.com/product/32902/pro-line-slot-mag-drag-spec-2230-grey-rear-wheels---sc-drag---2> (Year: 2024).

Indy US Mags, posting date N/A [online], [retrieved Apr. 16, 2024]. Retrieved from internet, <https://www.us-mags.com/us-mag-1pc-indy> (Year: 2024).

1/25 Slot Car Jr Stock Car Dancing Bear, posting date N/A [online], [retrieved Apr. 16, 2024]. Retrieved from internet, <https://www.dancingbearscaledcomponents.com/125-slot-car-racing-wheels/125-slot-car-alpha-1-wheels-warzh-9p9gd-p5aec-x5cks> (Year: 2024).

Slot Car Racing Wheel Store, posted xx/xx/xx [online], [retrieved Nov. 14, 2023]. Retrieved from internet, <https://www.dancingbearscaledcomponents.com/125-slot-car-racing-wheels> (Year: 2023).

Vbestlife RC Car Tires, 4 Pcs RC Vehicle Wheels Rims, posted May 9, 2022 [online], [retrieved Nov. 14, 2023]. Retrieved from internet, <https://www.amazon.com/Vbestlife-Vehicle-Wheels-Aluminum-Titanium/dp/B09ZV43LPB/> (Year: 2022).

* cited by examiner

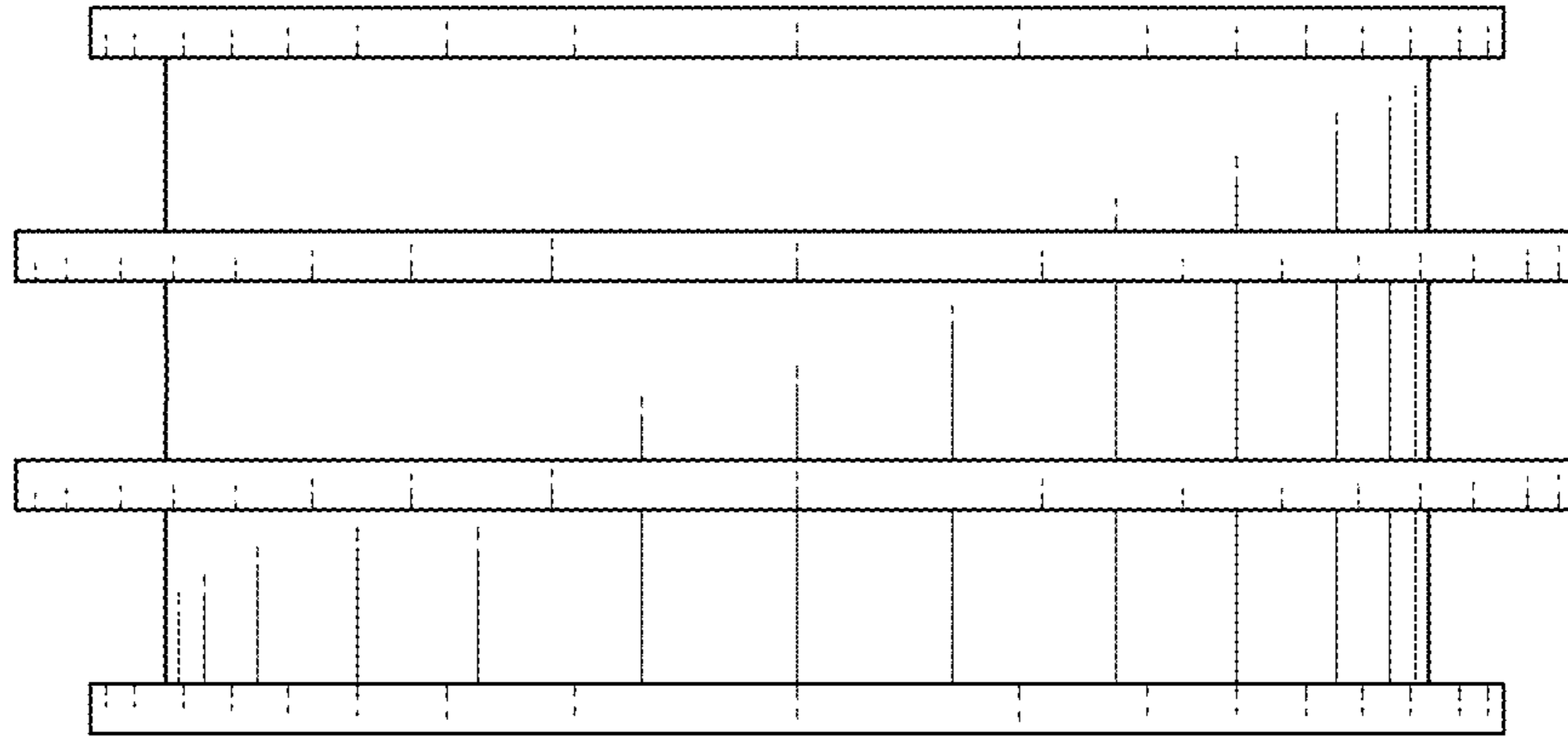


FIG. 1

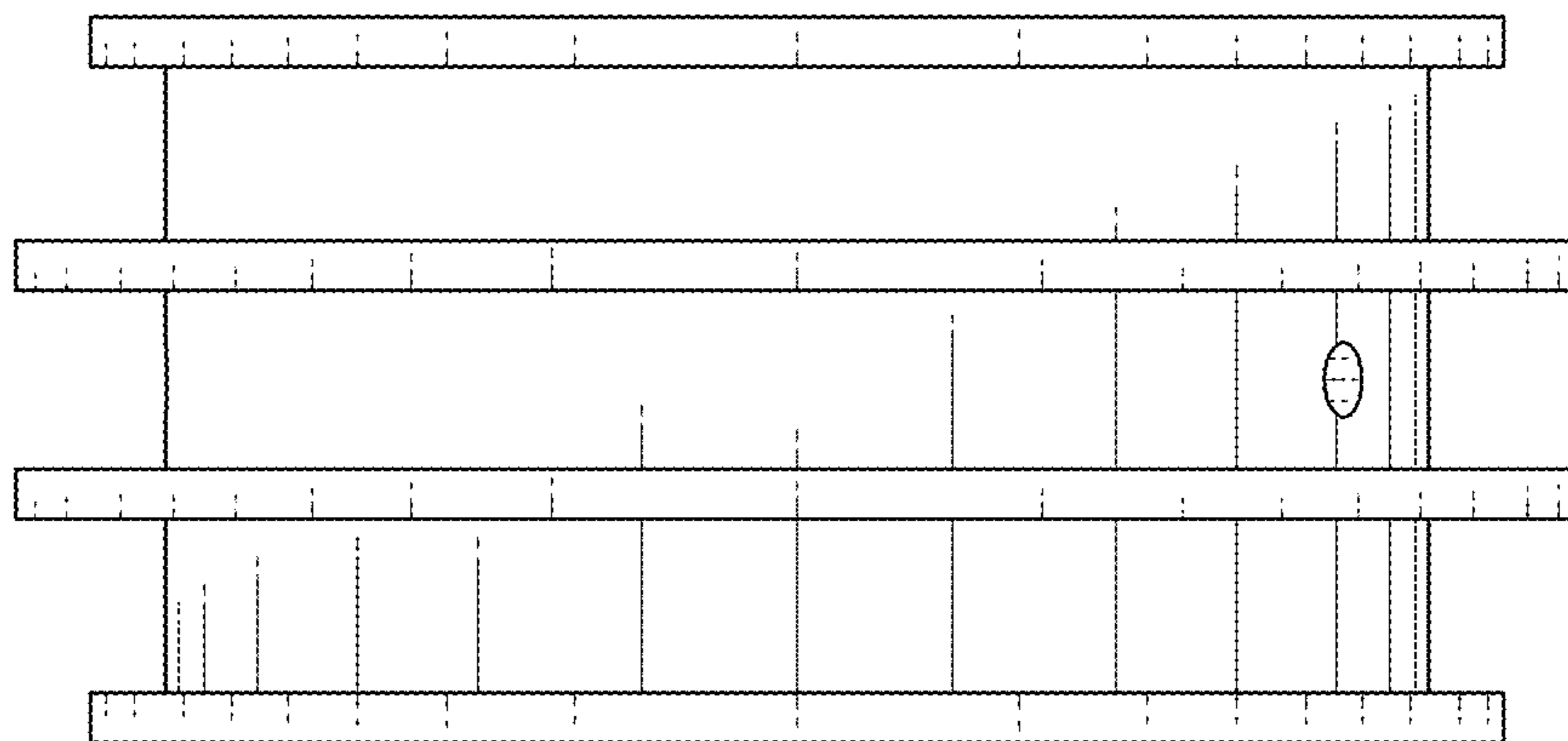


FIG. 2

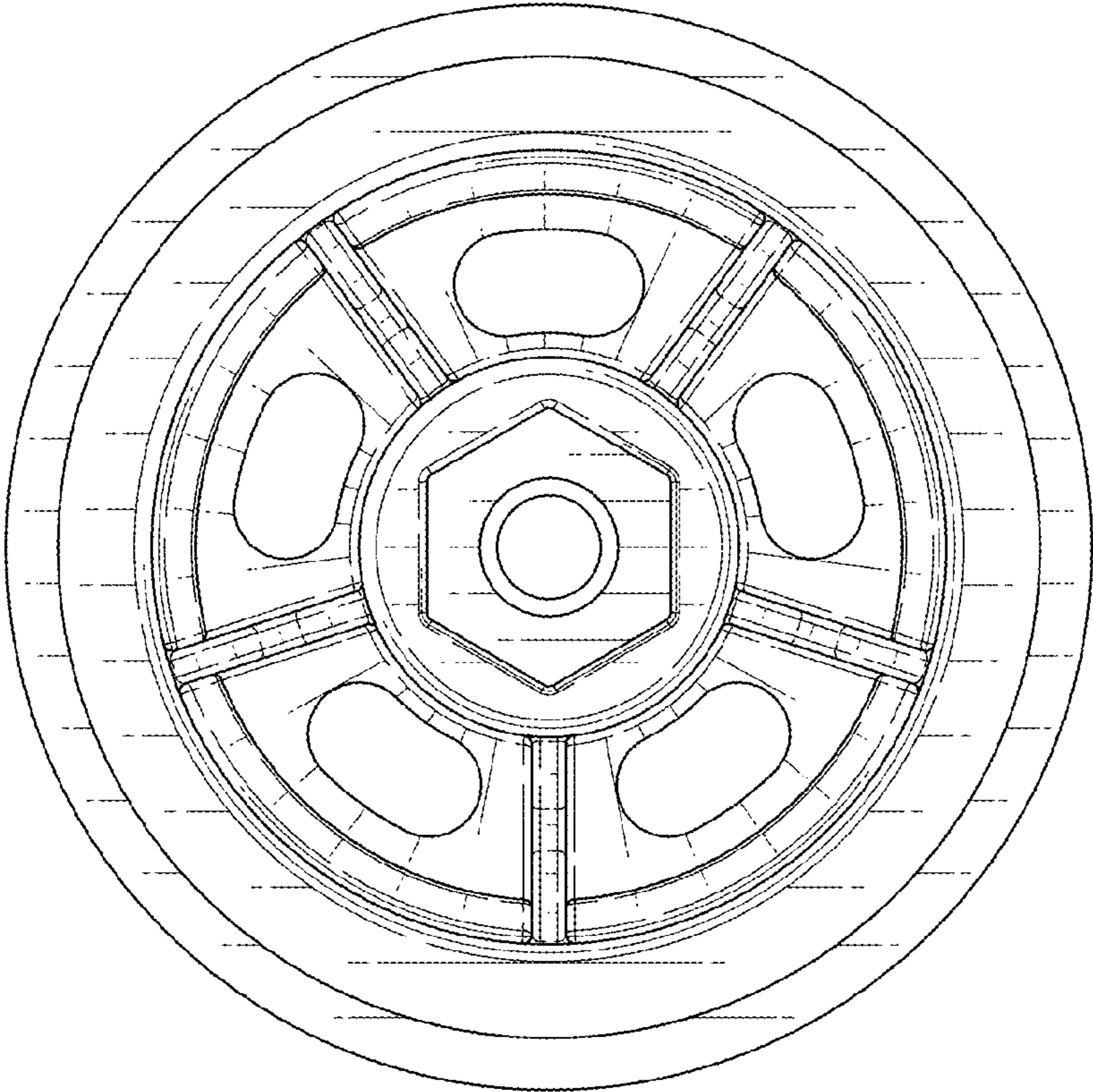


FIG. 3

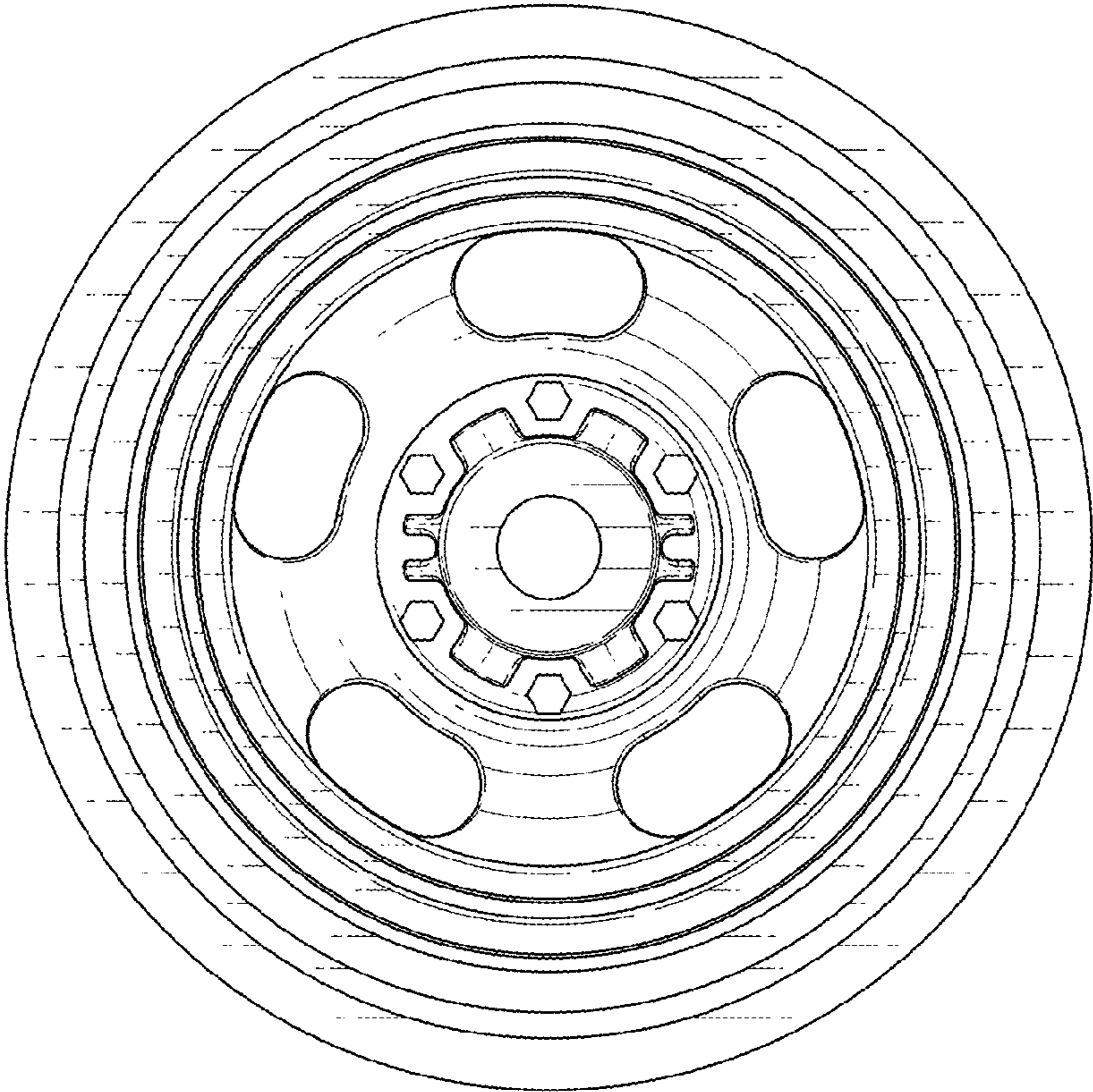


FIG. 4

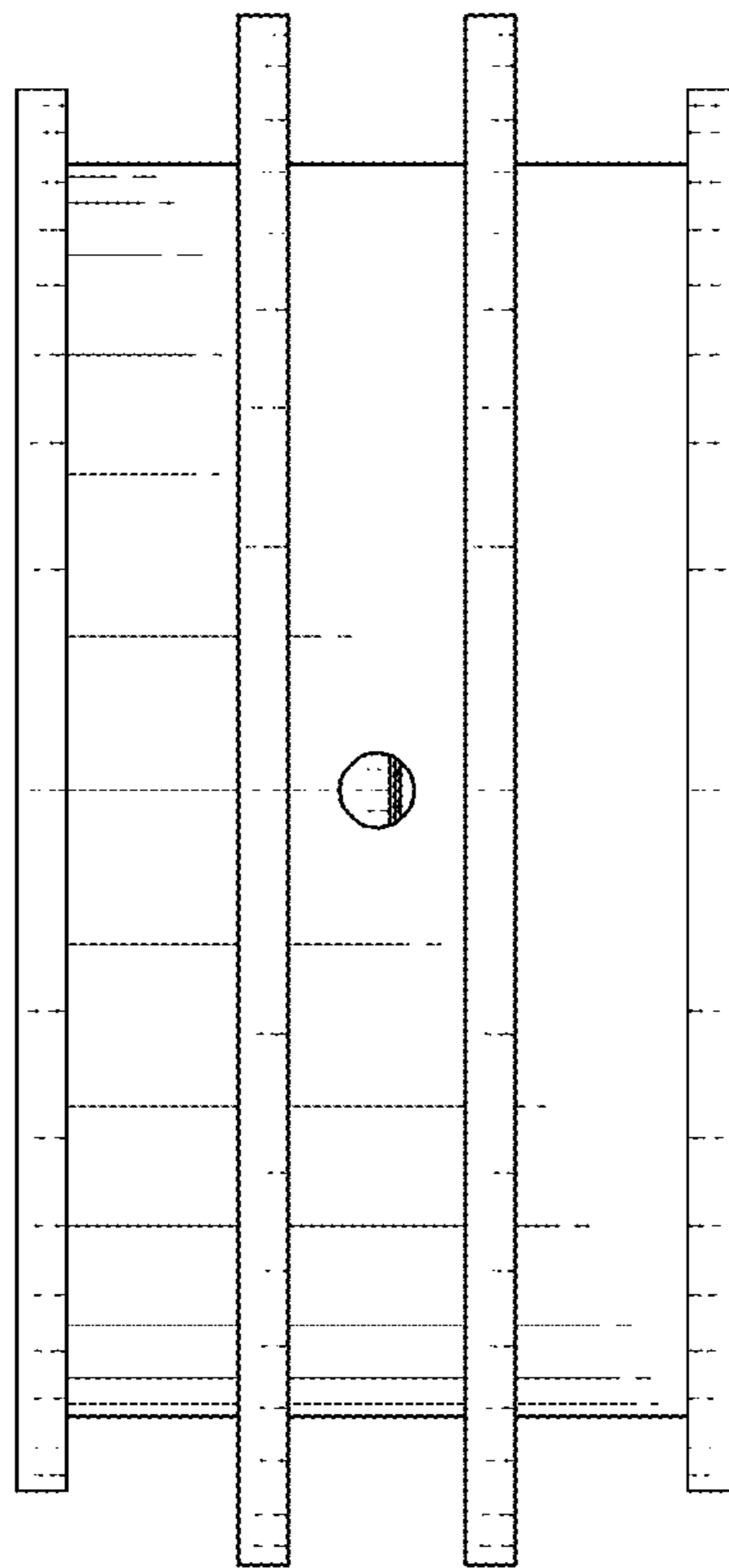


FIG. 5

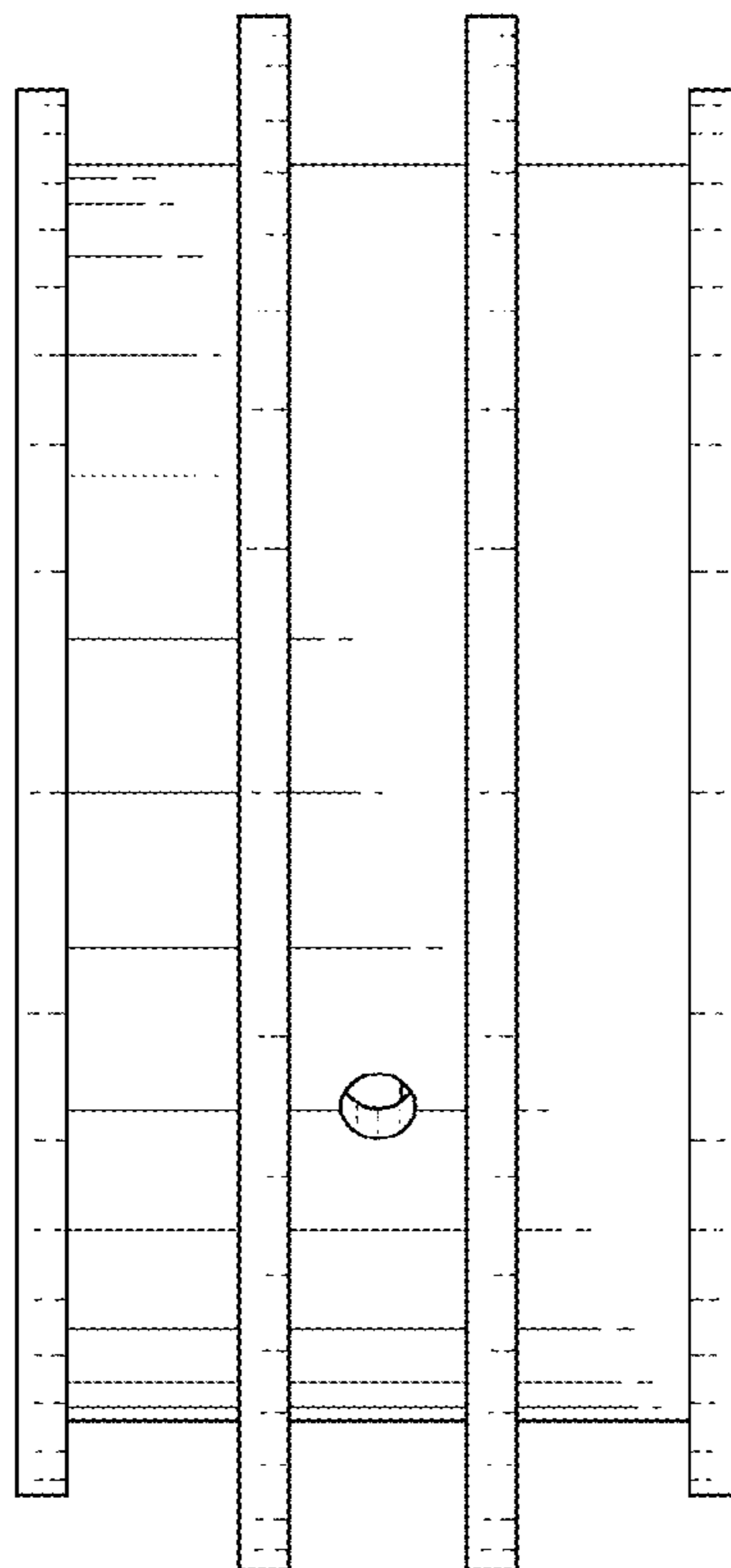


FIG. 6

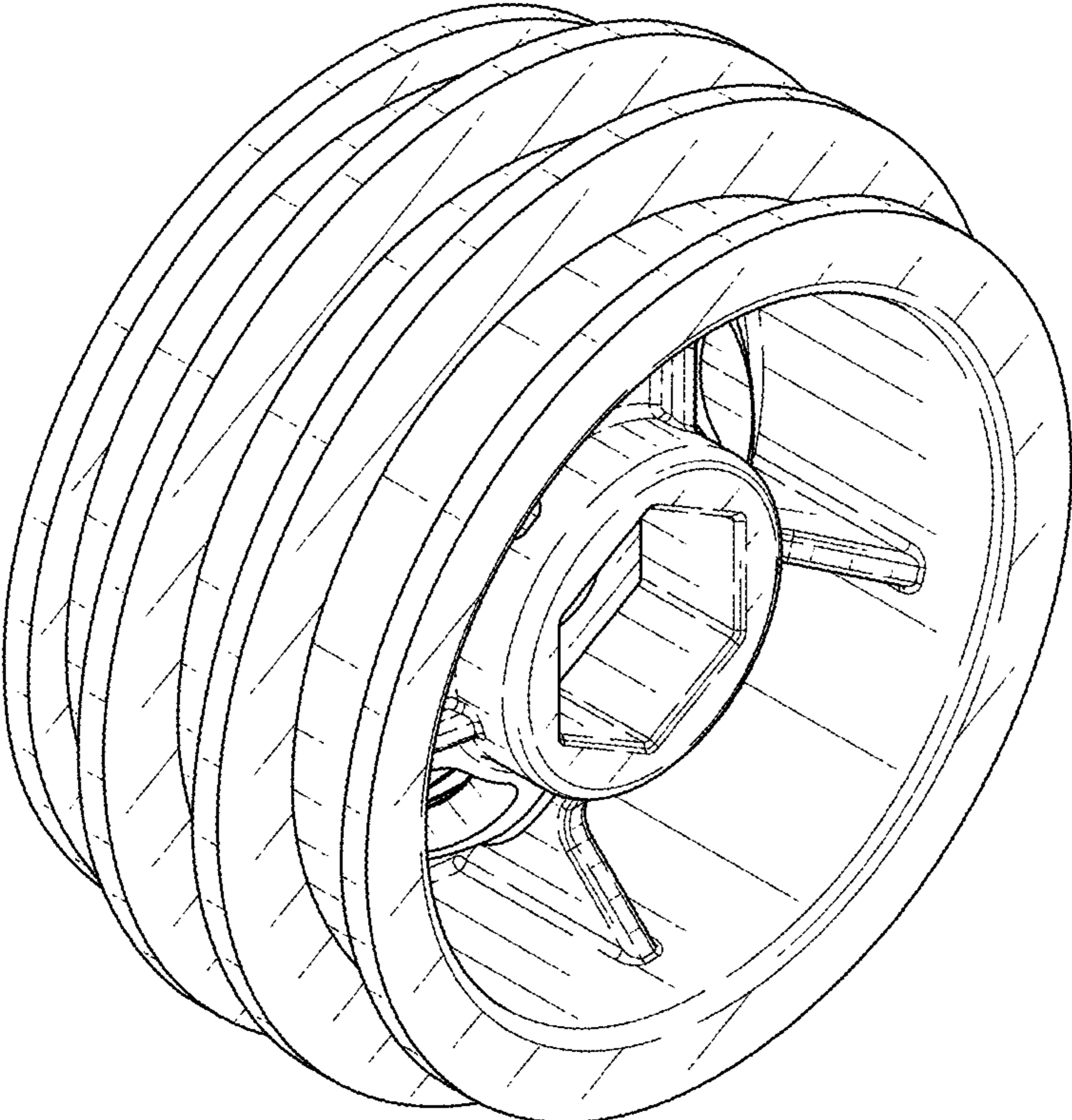


FIG. 7

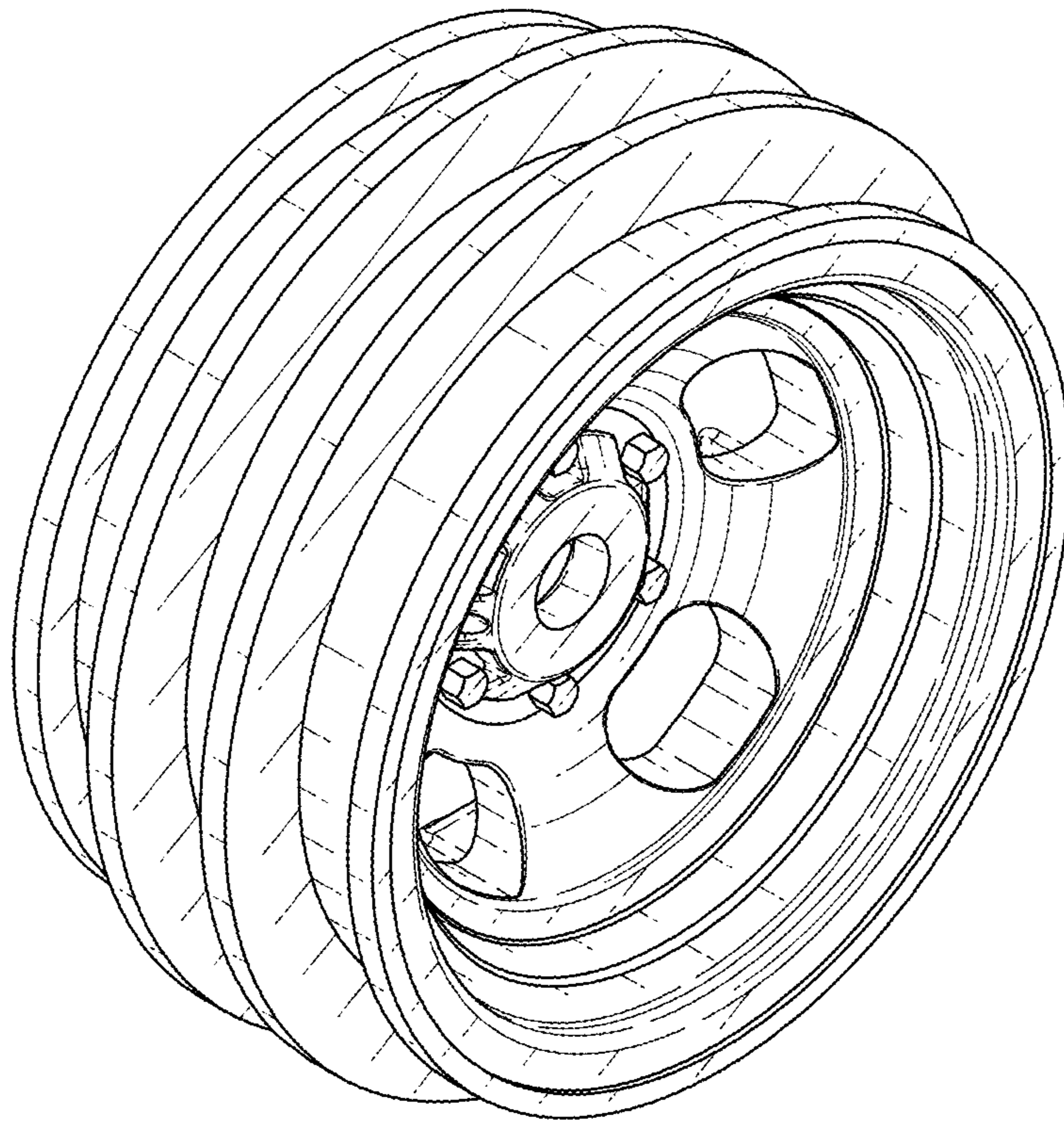


FIG. 8

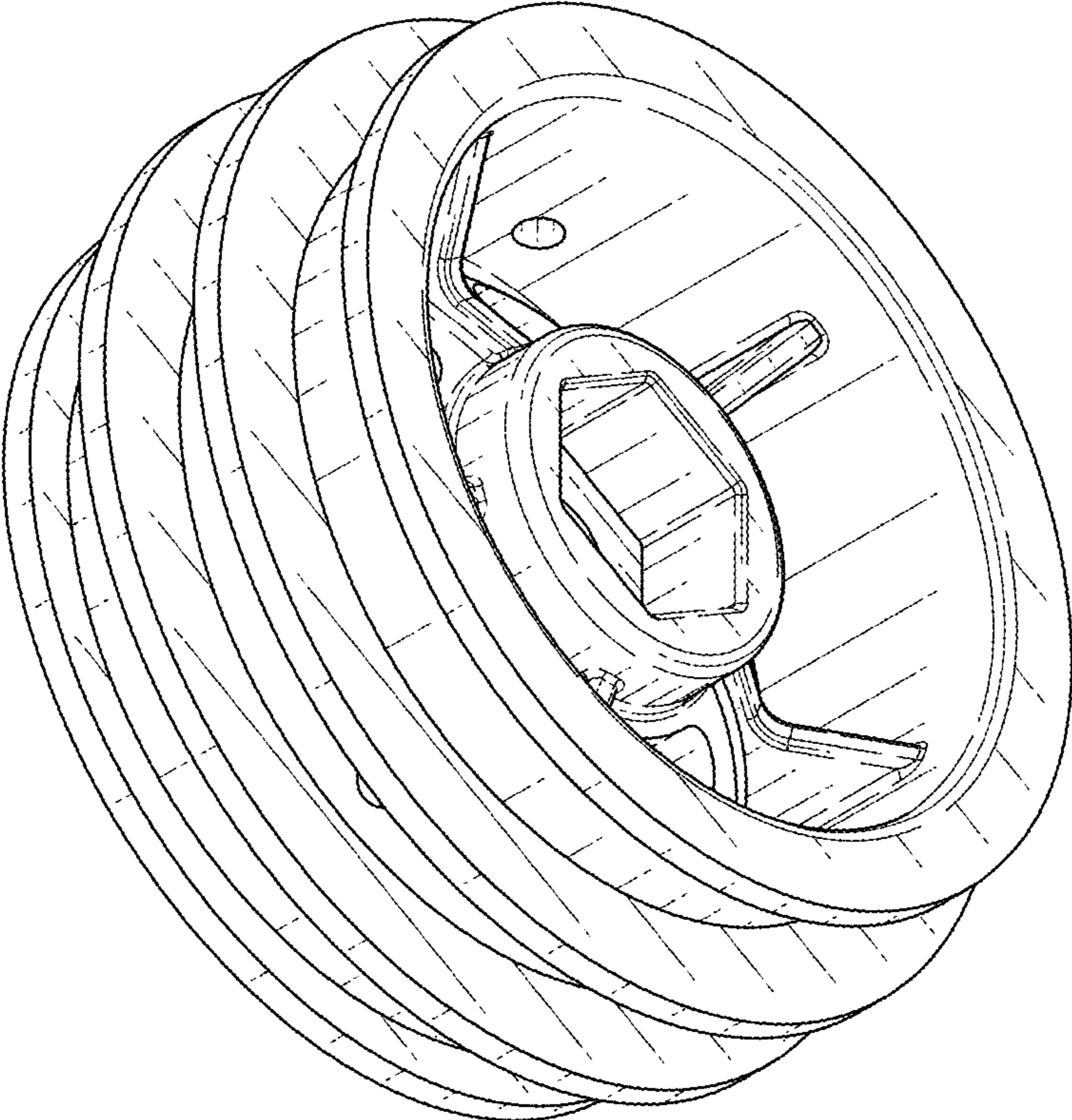


FIG. 9

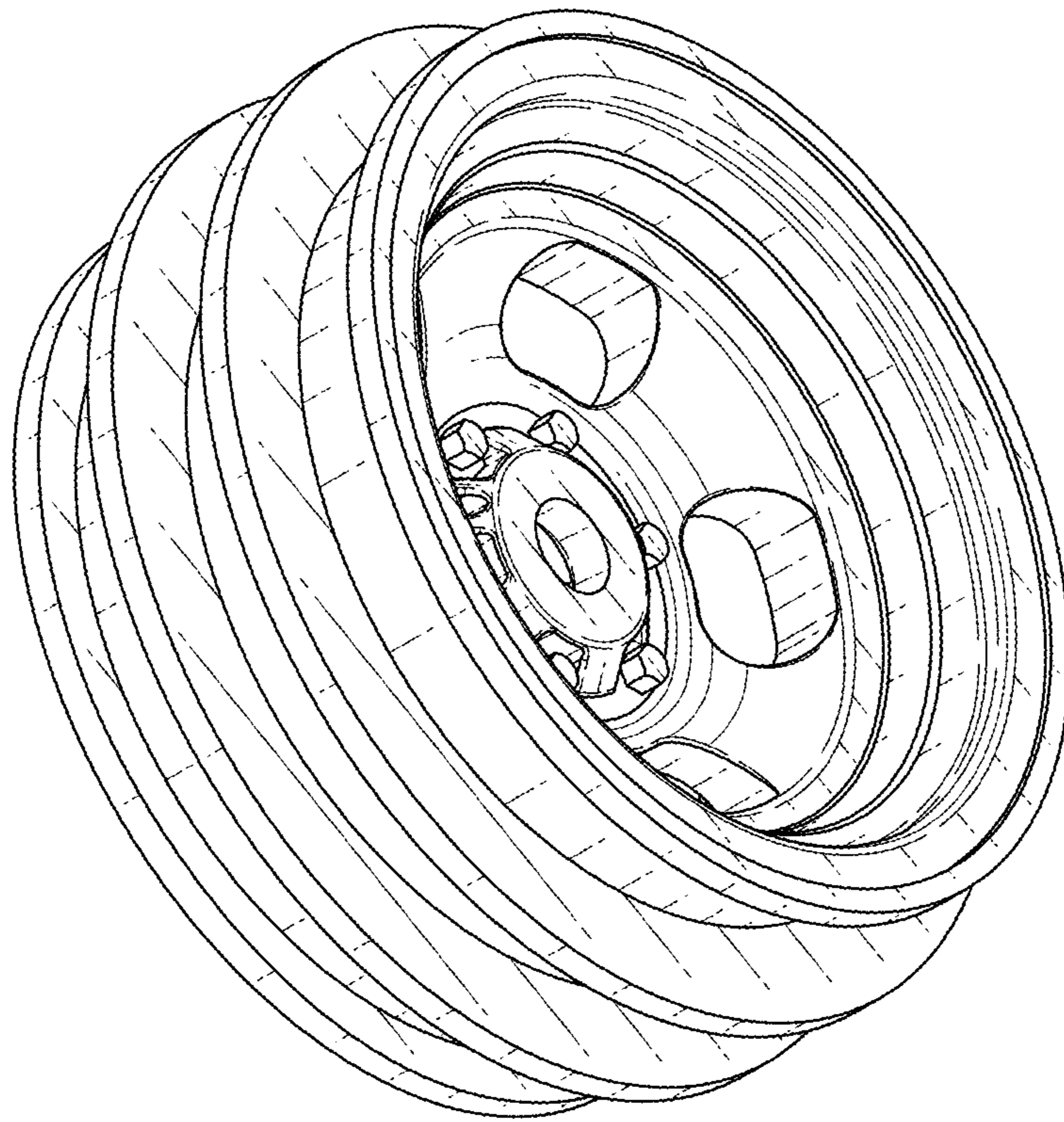


FIG. 10