



US0D1062416S

(12) **United States Design Patent**
Hix et al.

(10) **Patent No.:** **US D1,062,416 S**

(45) **Date of Patent:** **** Feb. 18, 2025**

(54) **MODEL VEHICLE WORK STAND SUPPORT**

(71) Applicant: **TRAXXAS, L.P.**, McKinney, TX (US)

(72) Inventors: **Caleb Hix**, McKinney, TX (US); **Adam Cole Ewing**, McKinney, TX (US); **Otto Karl Allmendinger**, Rowlett, TX (US); **Kent Poteet**, Lucas, TX (US); **Ross Martin**, Roanoke, TX (US)

(73) Assignee: **TRAXXAS, L.P.**, McKinney, TX (US)

(**) Term: **15 Years**

(21) Appl. No.: **29/886,188**

(22) Filed: **Mar. 6, 2023**

(51) **LOC (15) Cl.** **08-05**

(52) **U.S. Cl.**
USPC **D8/380**

(58) **Field of Classification Search**
USPC D8/349, 354, 373, 380, 381, 14, 71;
D6/682
CPC A63H 33/00; A63H 17/26; F16M 11/00;
F16M 11/20

See application file for complete search history.

(56) **References Cited**

U.S. PATENT DOCUMENTS

3,216,160	A	11/1965	Best	
D241,612	S	9/1976	Matousek et al.	
D241,613	S	* 9/1976	Matousek	D8/354
D242,766	S	12/1976	Neece	
D257,663	S	12/1980	McKee	
D257,664	S	12/1980	McKee	
4,582,500	A	4/1986	Hanson et al.	
D298,604	S	* 11/1988	Newton	D15/89
D342,011	S	12/1993	Maguire	
D425,403	S	* 5/2000	Medina	D8/354
D489,377	S	5/2004	van Kuijk	
D513,171	S	12/2005	Richardson	
D523,803	S	6/2006	Smith et al.	

D561,189	S	2/2008	Wohlford et al.
D579,402	S	10/2008	Ball et al.
D654,350	S	2/2012	Preda
D667,718	S	9/2012	Preda
8,430,710	B2	4/2013	Woessner et al.
D695,592	S	12/2013	White

(Continued)

OTHER PUBLICATIONS

Teiray RC Car Work Stand, posted Apr. 17, 2023 [online], [retrieved Dec. 10, 2024]. Retrieved from internet, <https://www.amazon.ca/dp/B0C2D3MVF4/> (Year: 2023).*

(Continued)

Primary Examiner — Calvin E Vansant
Assistant Examiner — Benjamin L. Gray

(74) *Attorney, Agent, or Firm* — Daryl R. Wright; Greg Carr

(57) **CLAIM**

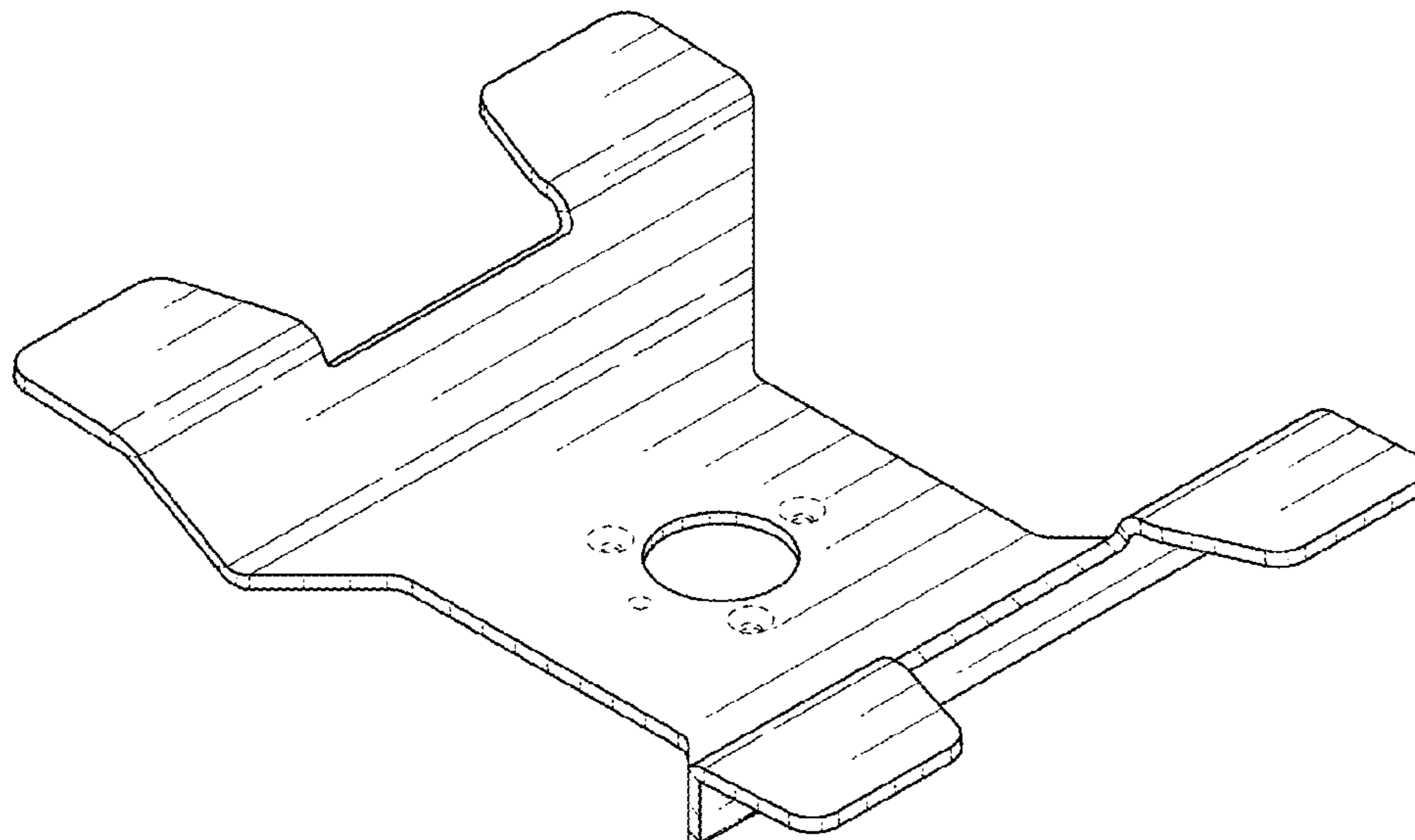
The ornamental design for a model vehicle work stand support as shown and described.

DESCRIPTION

FIG. 1 is an upper, left, front perspective view of a model vehicle work stand support showing our new design; FIG. 2 is a front elevation view thereof; FIG. 3 is a rear elevation view thereof; FIG. 4 is an upper plan view thereof; FIG. 5 is a lower plan view thereof; FIG. 6 is a right side elevation view thereof; FIG. 7 is a left side elevation view thereof; FIG. 8 is an upper, right, rear perspective view thereof; and, FIG. 9 is a lower, right, rear perspective view of the model vehicle work stand support.

In the drawings, the broken lines illustrate portions of the model vehicle work stand support that form no part of the claimed design.

1 Claim, 5 Drawing Sheets



(56)

References Cited

U.S. PATENT DOCUMENTS

D741,146 S * 10/2015 Delrue D8/349
 D767,973 S 10/2016 DeDios-Shirley et al.
 D821,851 S 7/2018 Stahl et al.
 D835,972 S 12/2018 Patil et al.
 D863,040 S 10/2019 DeDios-Shirley et al.
 D869,936 S 12/2019 Smith
 D886,569 S * 6/2020 Vlad D8/354
 D895,399 S * 9/2020 Ferreira D8/349
 D906,095 S 12/2020 DeDios-Shirley et al.
 D942,440 S * 2/2022 Chapuis D14/447
 D946,570 S 3/2022 Ded et al.
 D965,414 S 10/2022 Myers
 D970,602 S 11/2022 Stanley et al.
 D995,278 S * 8/2023 Buczynski D8/394
 D999,123 S 9/2023 Smith
 D1,018,268 S * 3/2024 Wojdyla D8/382
 D1,034,156 S * 7/2024 Hix D8/380
 D1,035,420 S * 7/2024 Hix D8/380
 D1,048,986 S * 10/2024 Hix D12/196
 D1,053,183 S * 12/2024 Shvartz D8/354
 2003/0138309 A1 7/2003 Kozak
 2003/0155474 A1 8/2003 Dean et al.
 2007/0084977 A1 4/2007 Hall et al.

OTHER PUBLICATIONS

Beyee RC Car Repair Station (online), (dated: Feb. 21, 2022)
 Retrieved from Internet (May 3, 2024), URL: <https://www.amazon.co.uk/dp/B09SYXTXLP> (2 pages) (Year: 2022).

EcoPower Rotating Aluminum Car Stand (online), (dated: Aug. 8, 2020) Retrieved from Internet (May 2, 2024), URL: <https://www.amainhobbies.com/ecopower-rotating-1-10-1-8-aluminum-car-stand-w-shock-holder-ecp-3001/p1154834#tab-feedback> (2 pages) (Year: 2020).
 Hobbypark RC Car Work Stand Repair Workstation (online), (dated: Feb. 11, 2020) Retrieved from Internet (May 3, 2024), URL: <https://www.amazon.com/dp/B07QL21HM7> (4 pages) (Year: 2020).
 Nuofan RC Car Work Stand Aluminum Repair Workstation (online), (dated: Jul. 26, 2022) Retrieved from Internet (May 3, 2024), URL: <https://www.amazon.com/dp/B08G55KQ7L> (3 pages) (Year: 2022).
 QUE-T Aluminum Rotating RC Car Stand (online), (dated: Apr. 25, 2020) Retrieved from Internet (May 2, 2024), URL: <https://www.amazon.com/dp/B073F7KLVV> (3 pages) (Year: 2020).
 Traxxas 8796 Blue Aluminum Scale RC Car Stand (online), (dated: Oct. 24, 2023) Retrieved from Internet (May 3, 2024), URL: <https://www.amazon.com/dp/B0CJP3C7SC> (3 pages) (Year: 2023).
 Traxxas Aluminum RC Car Stand model 8796—blue (online), (dated: Nov. 1, 2023) Retrieved from Internet (May 3, 2024), URL: <https://traxxas.com/products/parts/8796-BLUE> (3 pages) (Year: 2023).
 Traxxas X-Truck Stand Model No. 8797—Blue (online), (dated: Nov. 1, 2023) Retrieved from Internet (May 3, 2024), URL: <https://traxxas.com/products/parts/8797-BLUE> (2 pages) (Year: 2023).
 Fastrax Black Anodised Aluminum Car Pit Stand (online), (dated: Jan. 18, 2018) Retrieved from Internet (May 2, 2024), URL: <https://www.amazon.co.uk/dp/B06X1FM8G6> (2 pages) (Year: 2018).
 JConcepts Metal Car Stand Black JCO29032 (online), (dated: Mar. 25, 2023) Retrieved from Internet (May 2, 2024), URL: <https://www.horizonhobby.com/product/jconcepts-metal-car-stand-black/JCO29032.html> (2 pages) (Year: 2023).

* cited by examiner

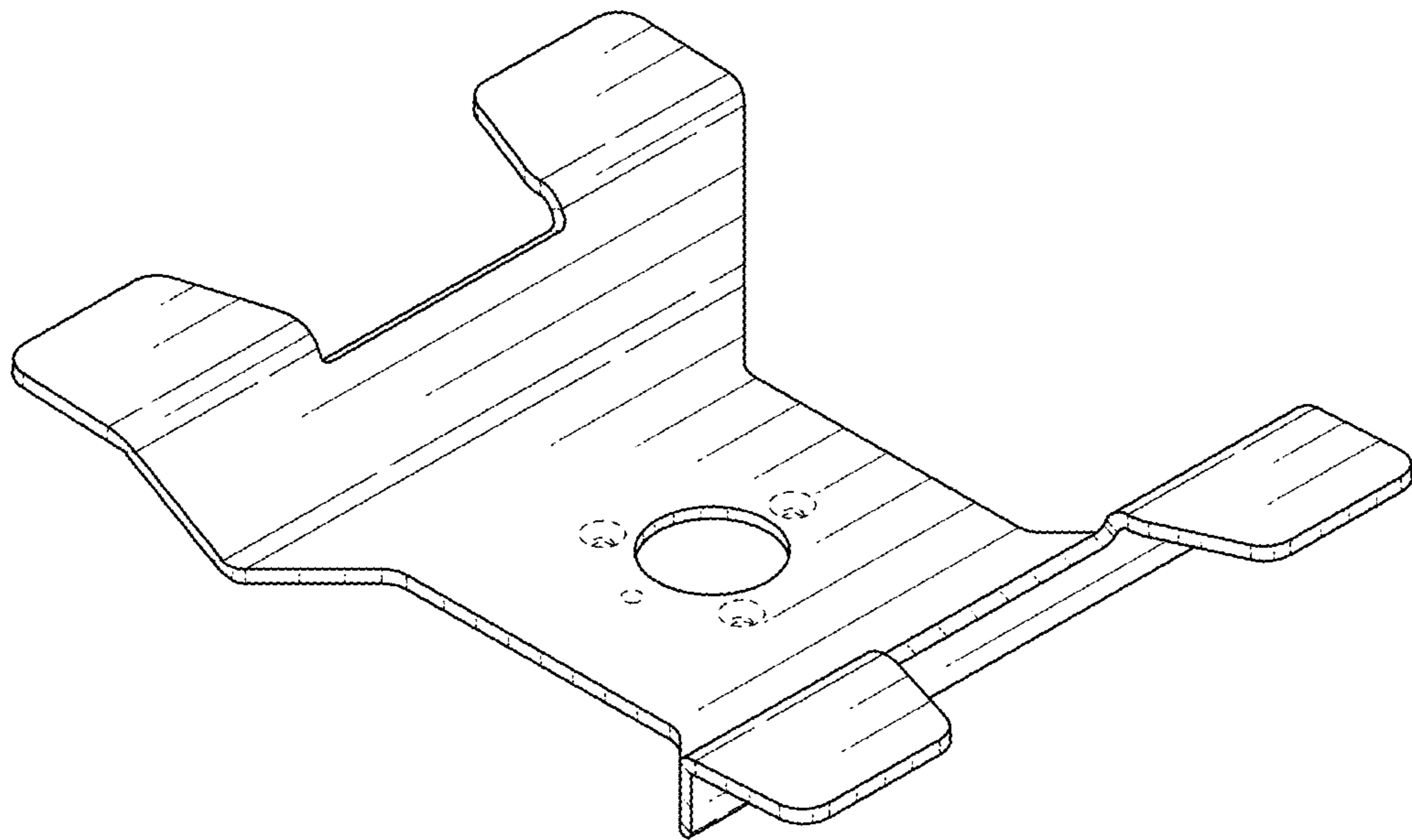


FIG. 1

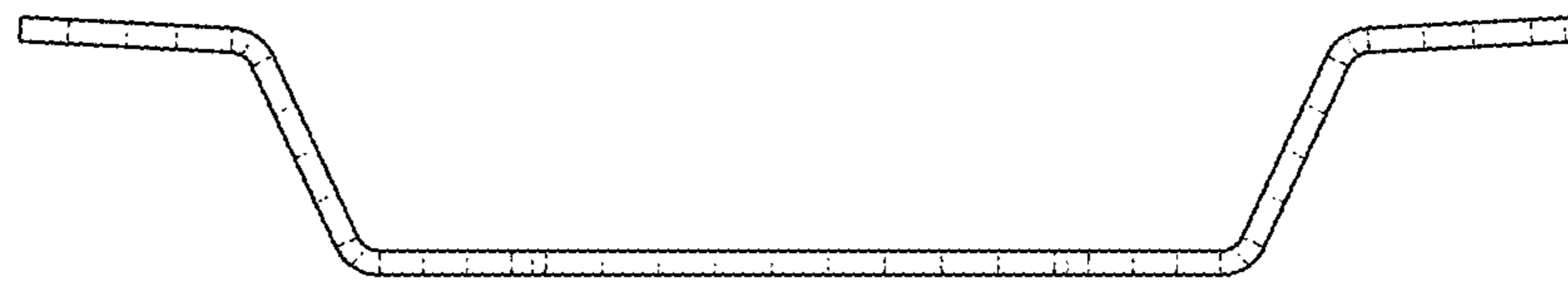


FIG. 2



FIG. 3

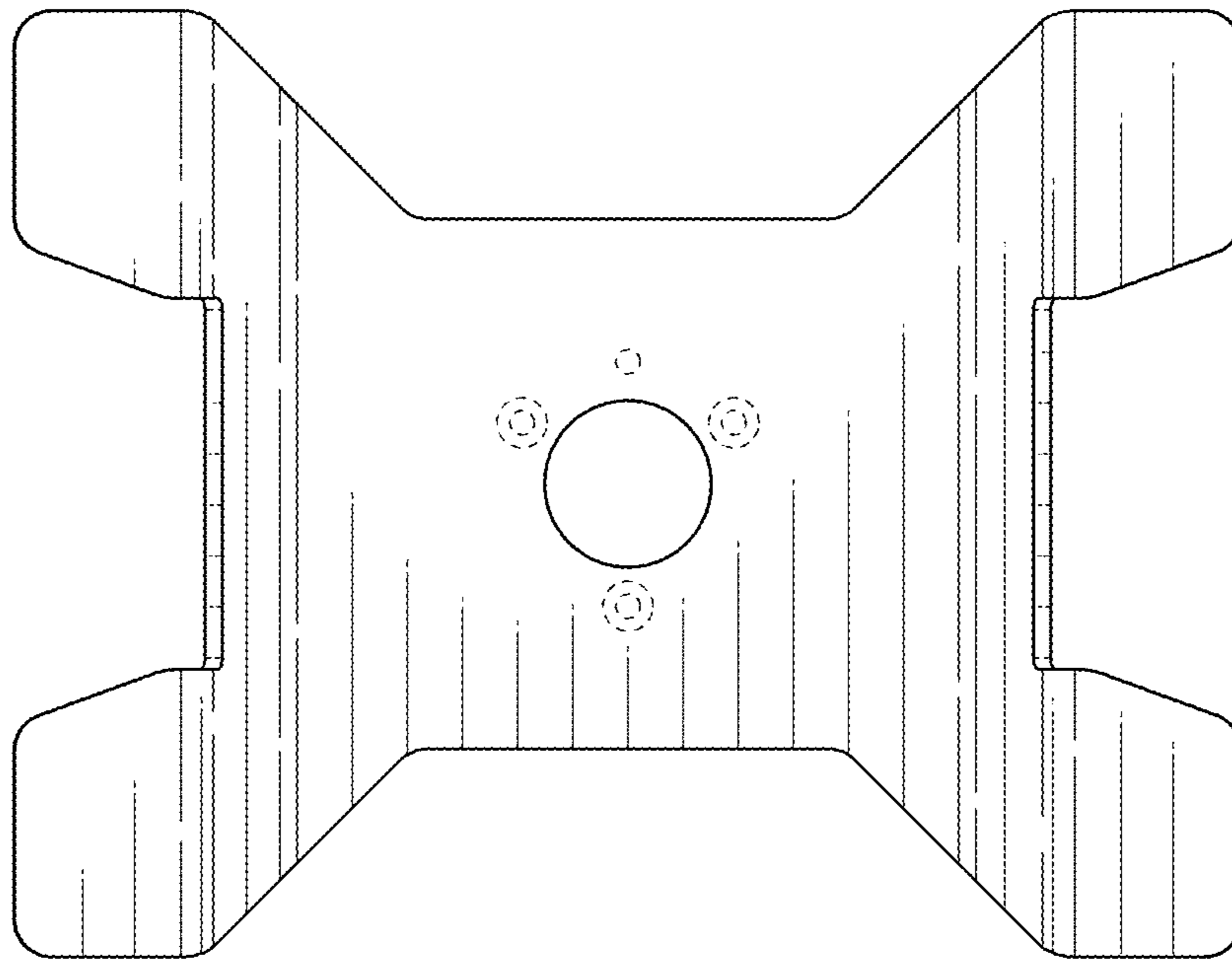


FIG. 4

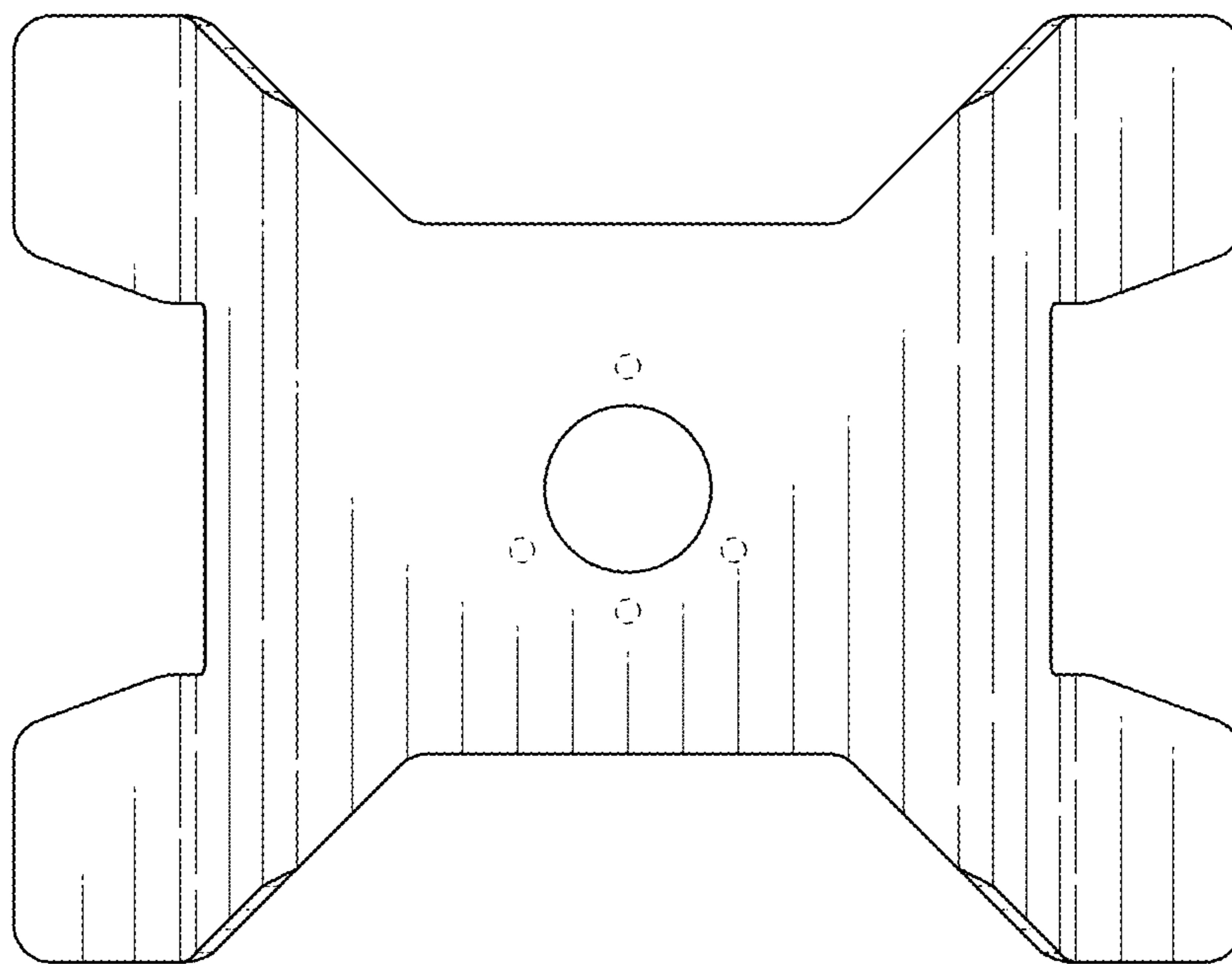


FIG. 5

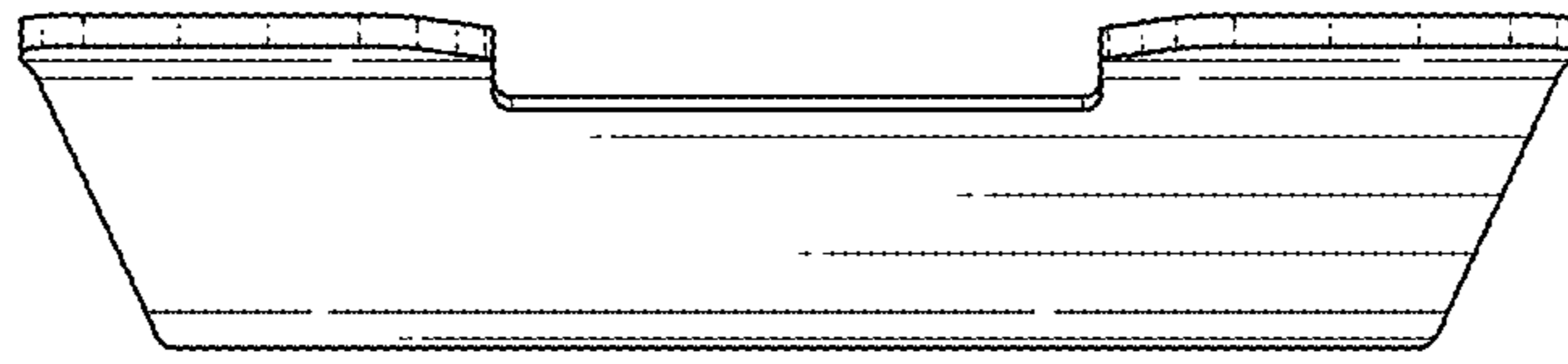


FIG. 6

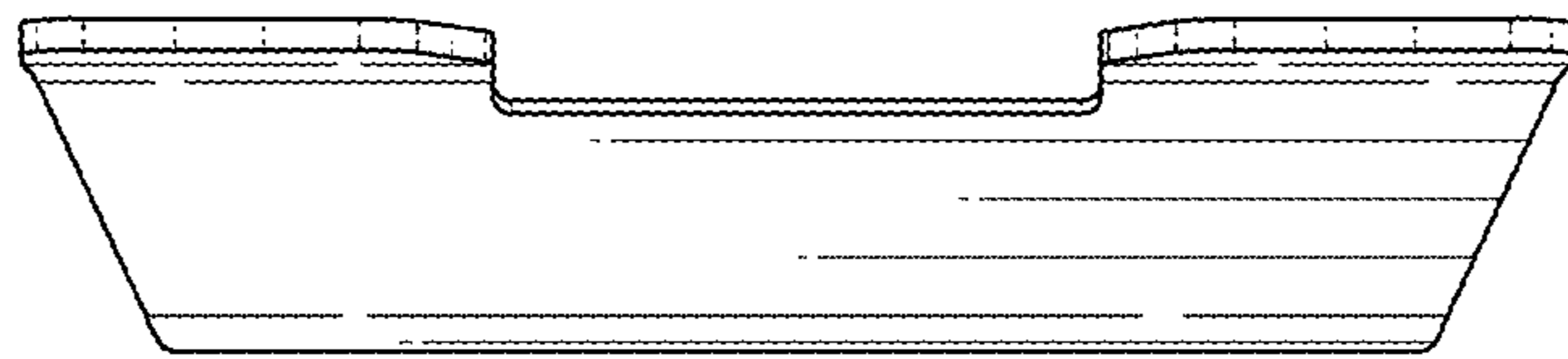


FIG. 7

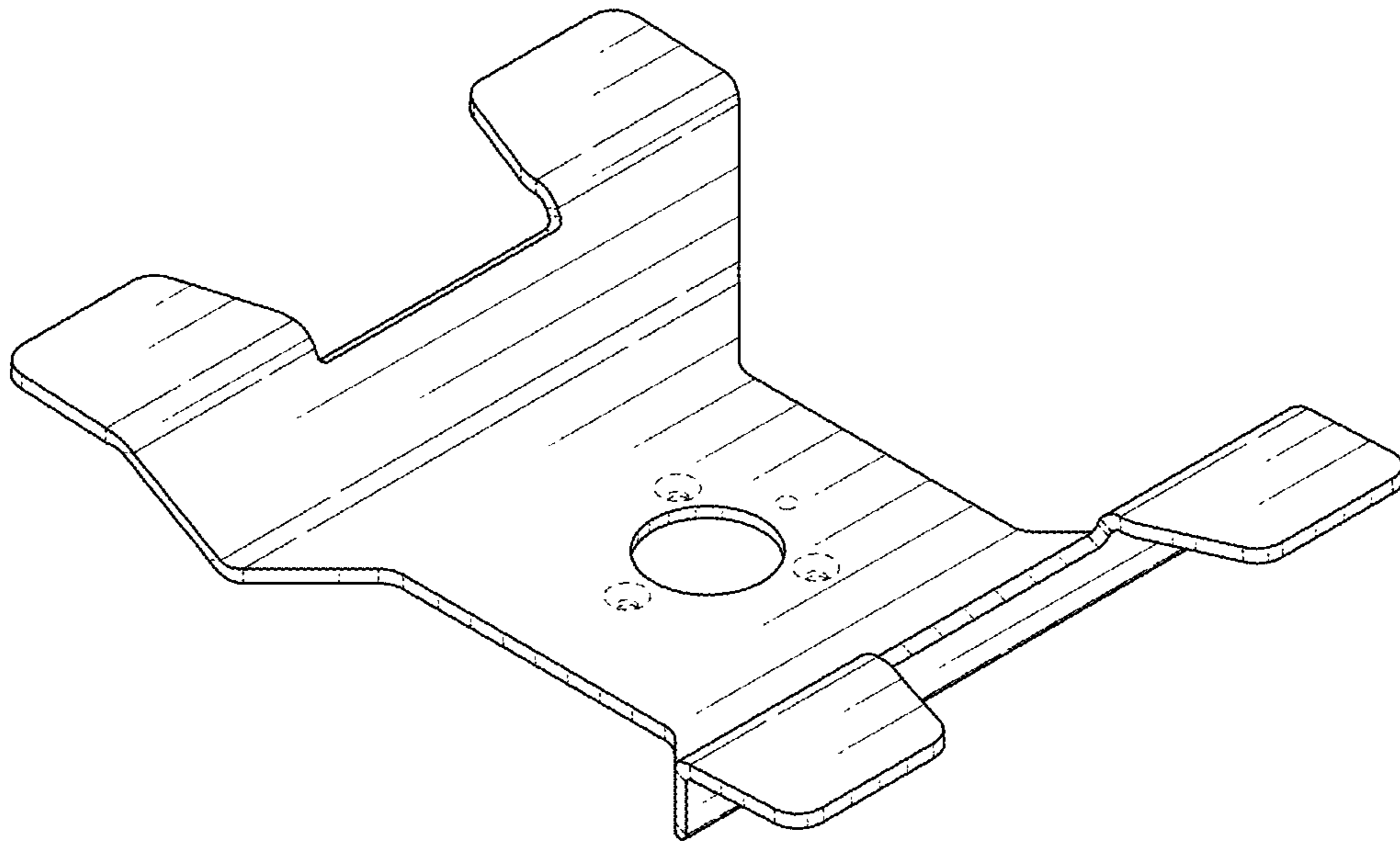


FIG. 8

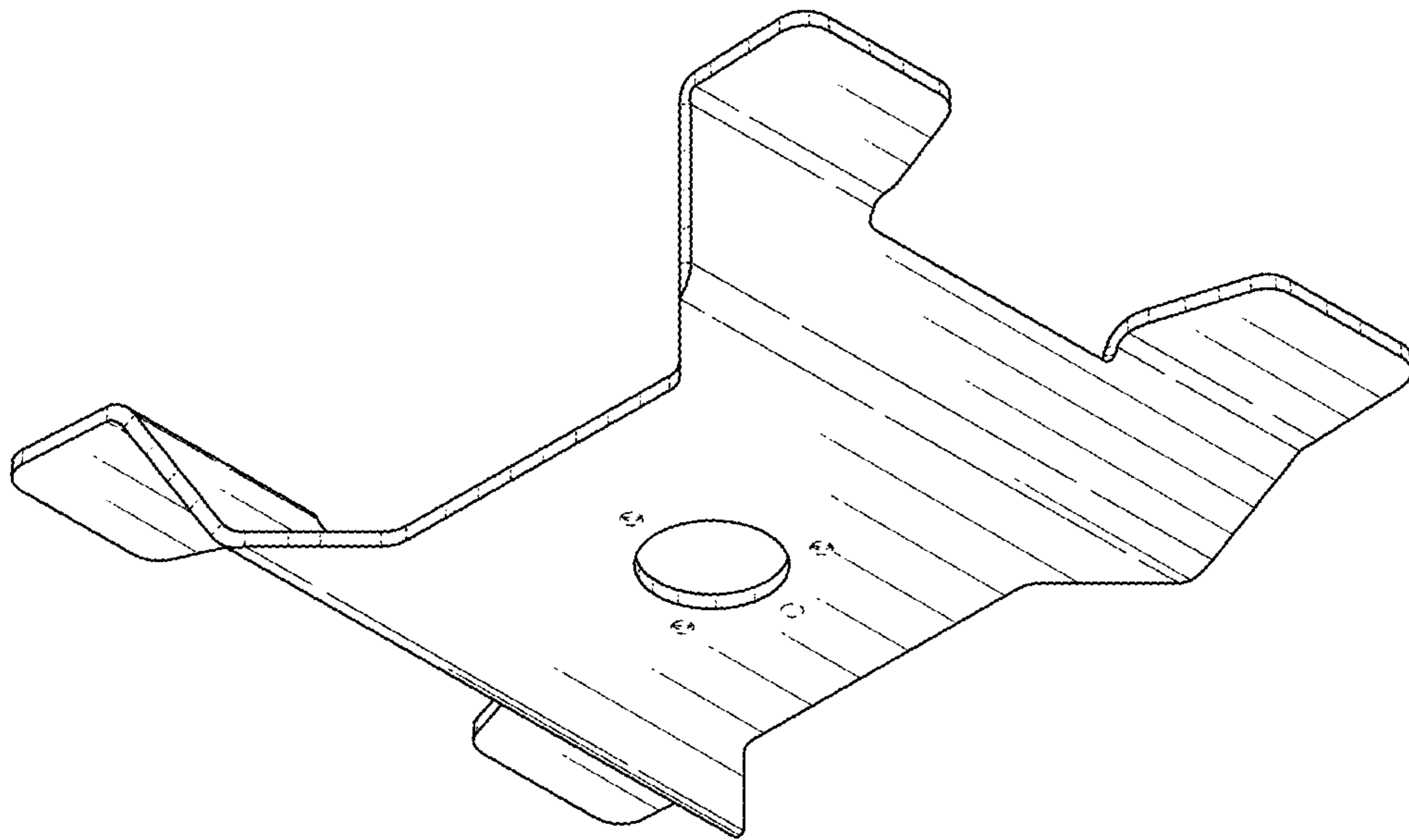


FIG. 9