



US0D1061881S

(12) **United States Design Patent** (10) **Patent No.:** **US D1,061,881 S**  
**Huggard et al.** (45) **Date of Patent:** **\*\* Feb. 11, 2025**

(54) **SAFETY CAP FOR A MEDICAL INJECTOR**

OTHER PUBLICATIONS

- (71) Applicant: **Becton, Dickinson and Company**, Franklin Lakes, NJ (US)
- (72) Inventors: **Elaine Huggard**, Rathgar (IE); **Daniel Gurovich**, Fort Lee, NJ (US); **Malcolm Stanley Boyd**, Wellesbourne (GB); **John Adams**, Killester (IE); **James Leslie Rhodri Jones**, Pencader (GB)
- (73) Assignee: **Becton, Dickinson and Company**, Franklin Lakes, NJ (US)

BD Evolve, posted at bd.com, first date unavailable, retrieved, Oct. 31, 2024, online, URL: <https://www.bd.com/content/dam/bd-assets/na/pharmaceutical-systems/documents/brochure/bd-evolve-on-body-injector.pdf> (Year: 2024).\*

*Primary Examiner* — Jennifer L Rempfer  
*Assistant Examiner* — Michelle Marquart Christeon  
(74) *Attorney, Agent, or Firm* — The Webb Law Firm

(\*\*) Term: **15 Years**

(21) Appl. No.: **29/854,546**

(22) Filed: **Sep. 26, 2022**

(51) **LOC (15) Cl.** ..... **24-02**

(52) **U.S. Cl.**  
USPC ..... **D24/130**

(58) **Field of Classification Search**  
USPC ..... D24/112–114, 108, 133, 130, 127, 186; 606/181, 185; 604/264, 272, 187, 181, 604/184, 227  
CPC ..... A61M 5/178; A61M 3/00; A61M 5/20; A61M 5/31; A61M 5/3146; A61M 5/3129; A61M 5/3148; A61M 5/315  
See application file for complete search history.

(56) **References Cited**

U.S. PATENT DOCUMENTS

D568,469 S *	5/2008	Sudo	.....	D24/130
D741,996 S *	10/2015	Strong	.....	D24/130
D779,057 S *	2/2017	Wohlfahrt	.....	D24/130
D783,816 S *	4/2017	Wohlfahrt	.....	D24/130
D831,198 S *	10/2018	Ross	.....	D24/127
D834,187 S *	11/2018	Ryan	.....	A61B 90/70 D24/130
D929,581 S *	8/2021	Jones	.....	D24/130
D931,443 S *	9/2021	Bainton	.....	D24/130
D931,444 S *	9/2021	Bainton	.....	D24/130

(Continued)

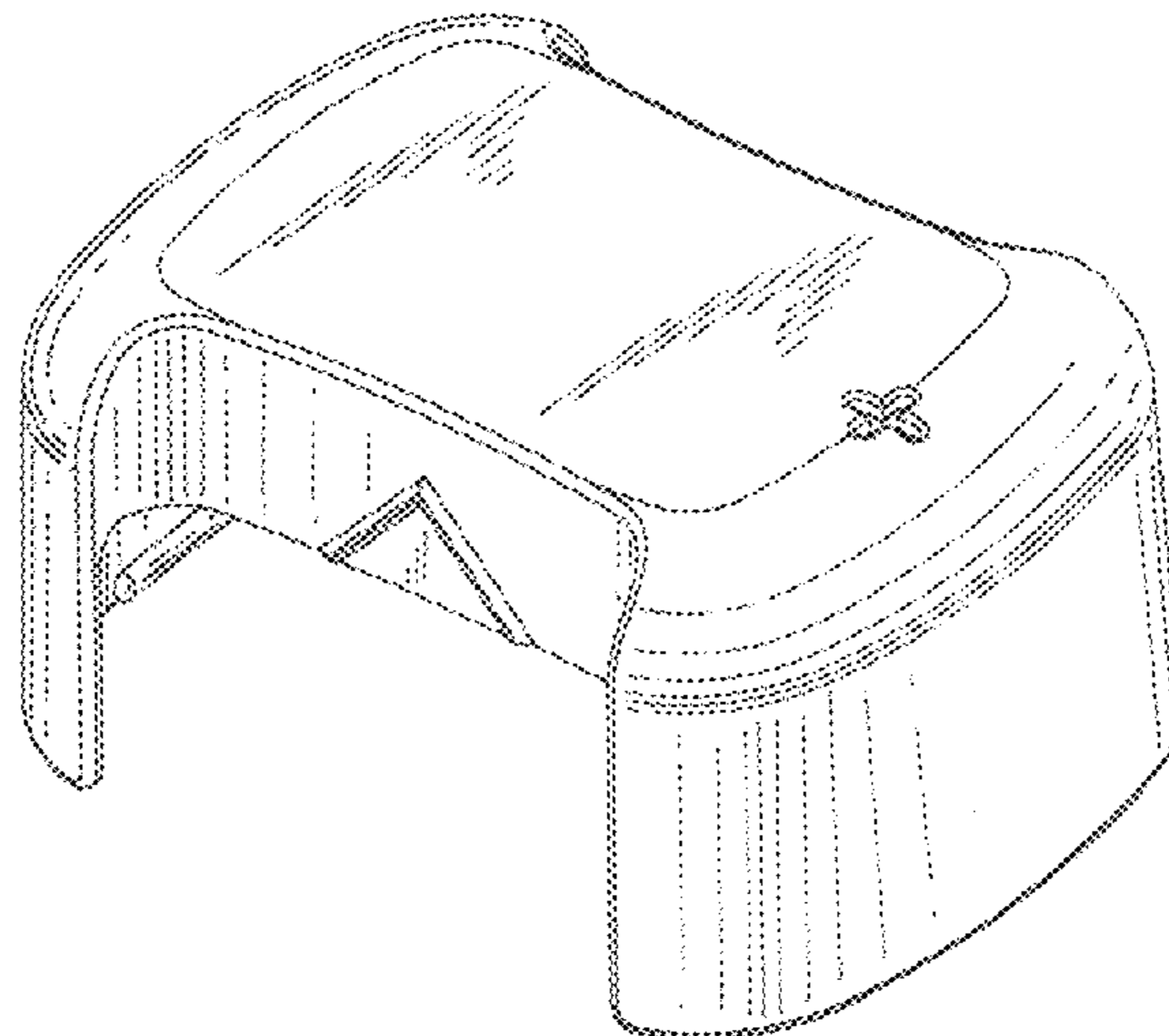
(57) **CLAIM**

The ornamental design for a safety cap for a medical injector, as shown and described.

**DESCRIPTION**

FIG. 1 is a top perspective view of a safety cap for a medical injector showing our new design; FIG. 2 is a bottom perspective view thereof; FIG. 3 is a front elevation view thereof; FIG. 4 is a top plan view thereof; FIG. 5 is a left side elevation view thereof; FIG. 6 is a right side elevation view thereof; FIG. 7 is a rear elevation view thereof; FIG. 8 is a bottom plan view thereof; FIG. 9 is a top perspective view of the safety cap for a medical injector of FIG. 1 mounted to a medical injector; FIG. 10 is a bottom perspective view thereof; FIG. 11 is a front elevation view thereof; FIG. 12 is a top plan view thereof; FIG. 13 is a left side elevation view thereof; FIG. 14 is a right side elevation view thereof; FIG. 15 is a rear elevation view thereof; and, FIG. 16 is a bottom plan view thereof. Portions of the safety cap for a medical injector shown in dashed lines in FIGS. 9-16 depict unclaimed portions of the safety cap for a medical injector that are included for environmental purposes only.

**1 Claim, 8 Drawing Sheets**



(56)

**References Cited**

U.S. PATENT DOCUMENTS

D931,445 S *	9/2021	Jones .....	D24/130
D931,446 S *	9/2021	Jones .....	D24/130
D944,976 S *	3/2022	Bainton .....	D24/130
D1,021,082 S *	4/2024	Ikushima .....	D24/130

\* cited by examiner

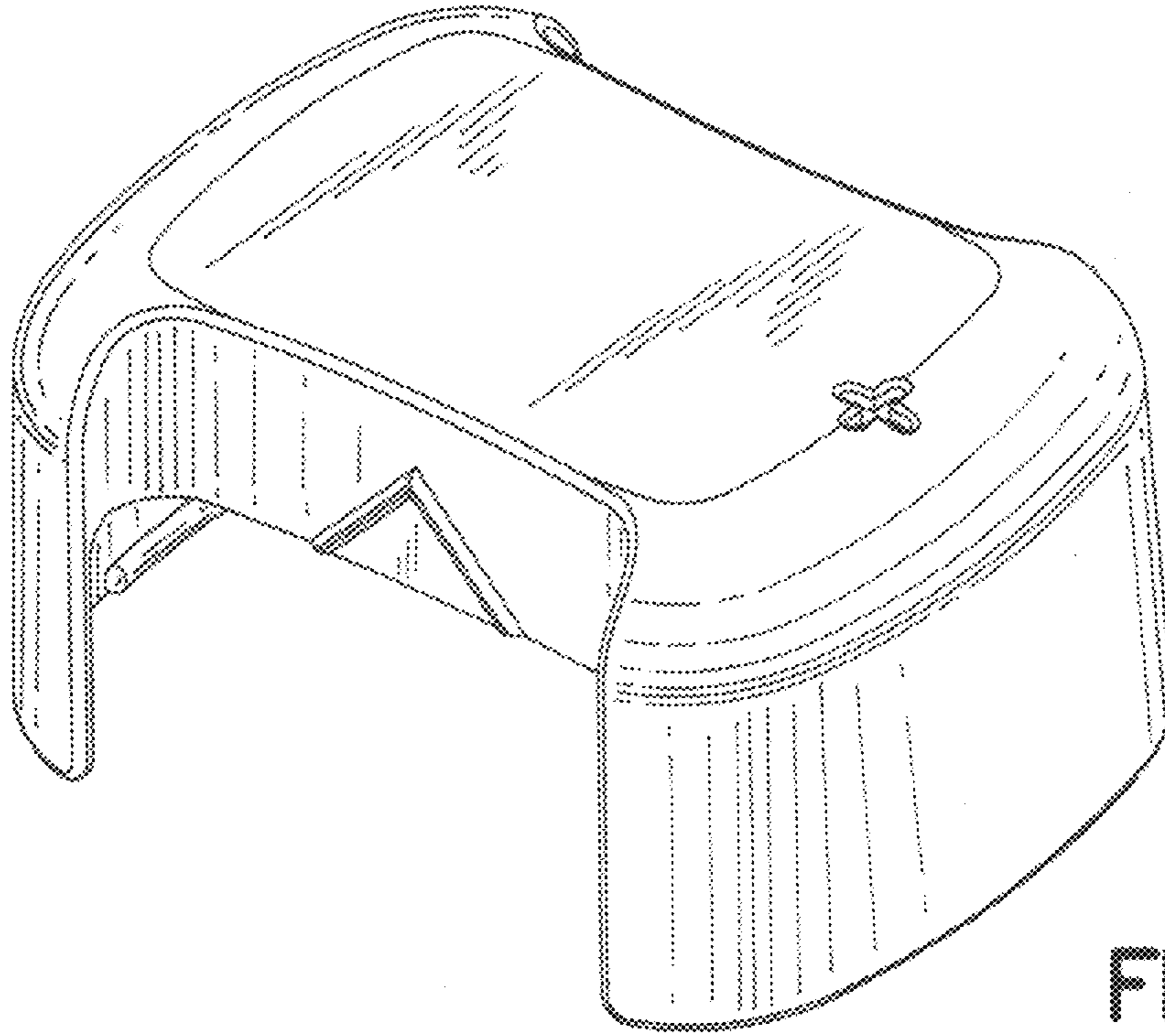


FIG. 1

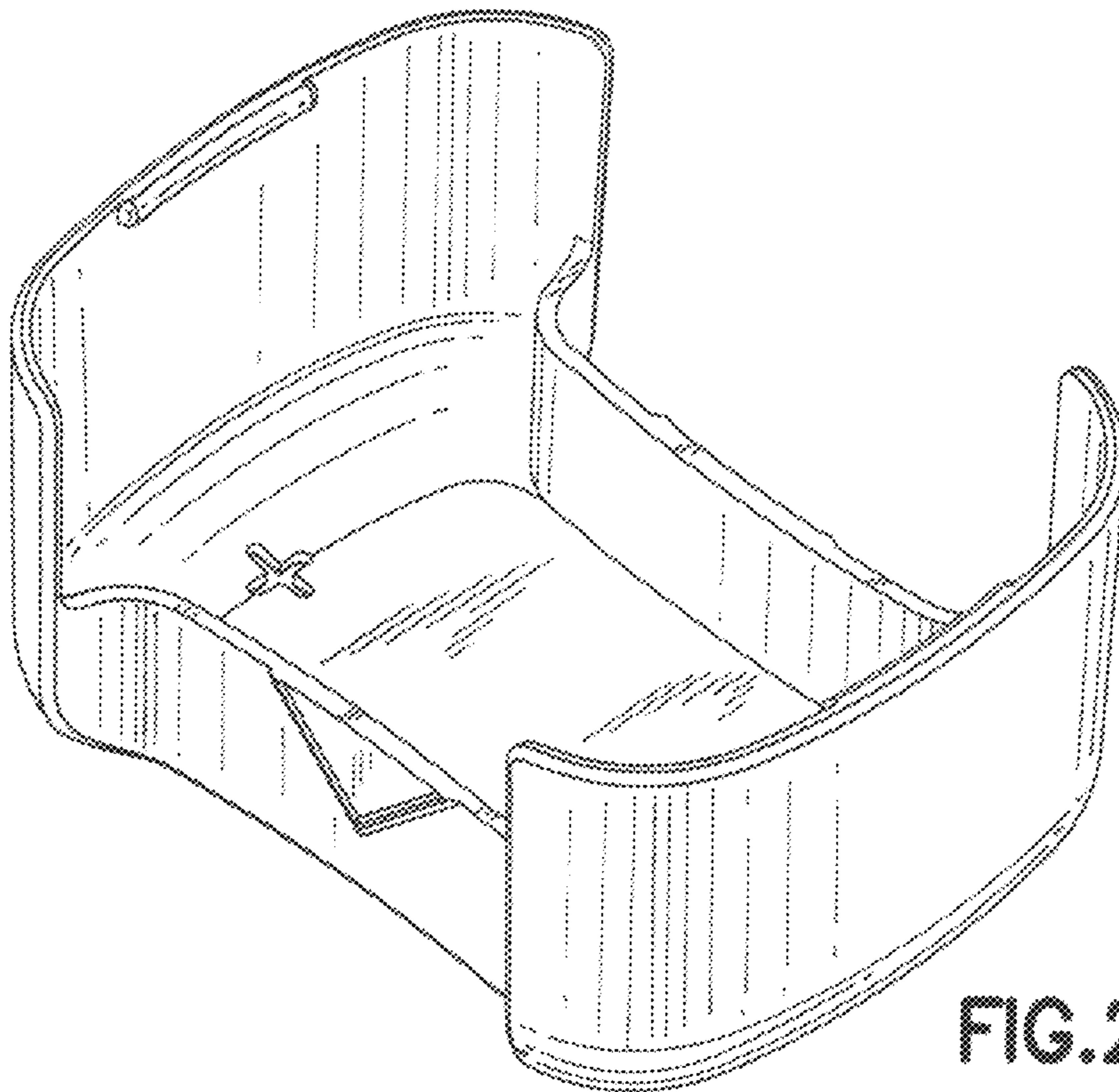


FIG. 2

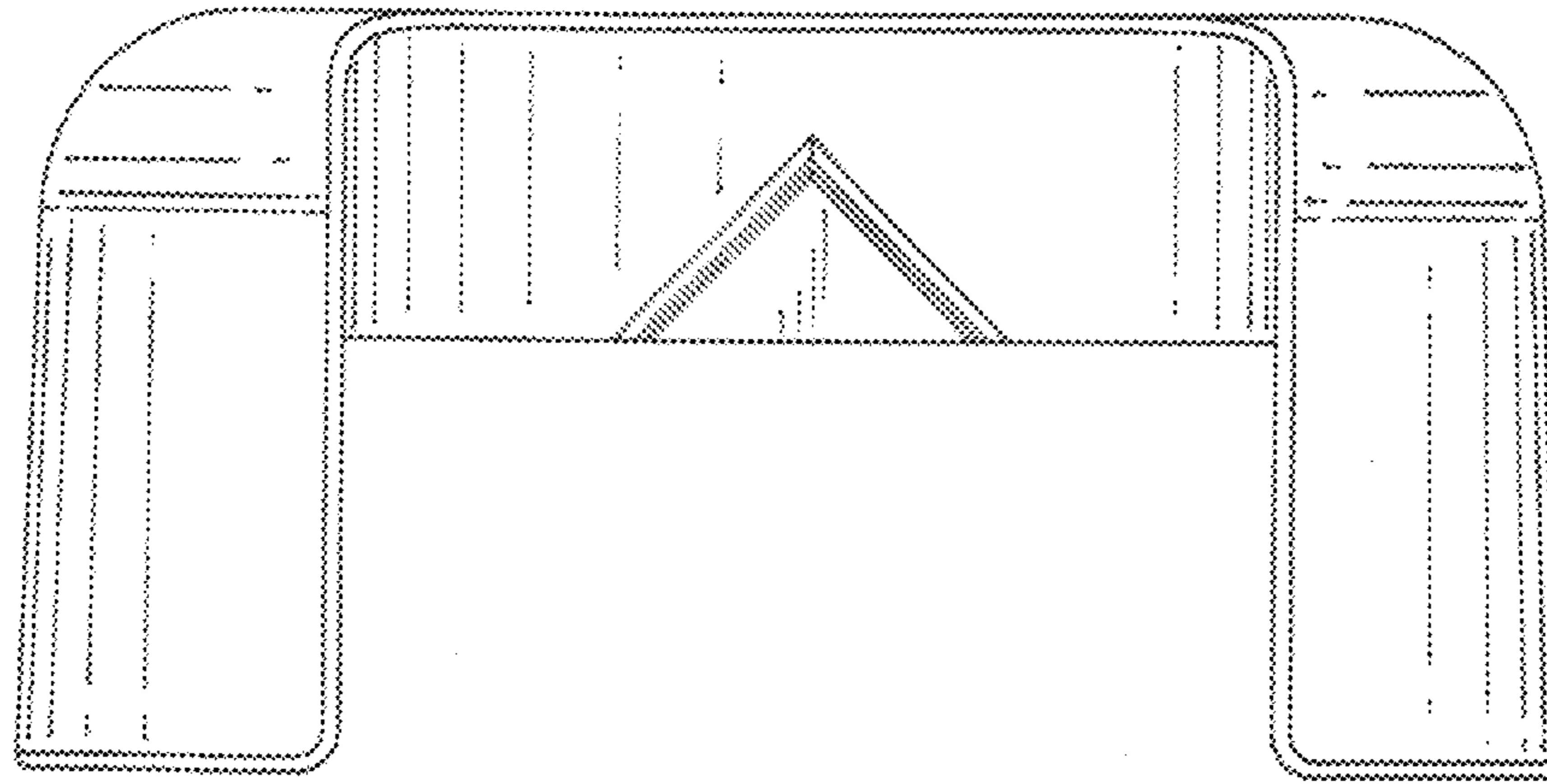


FIG. 3

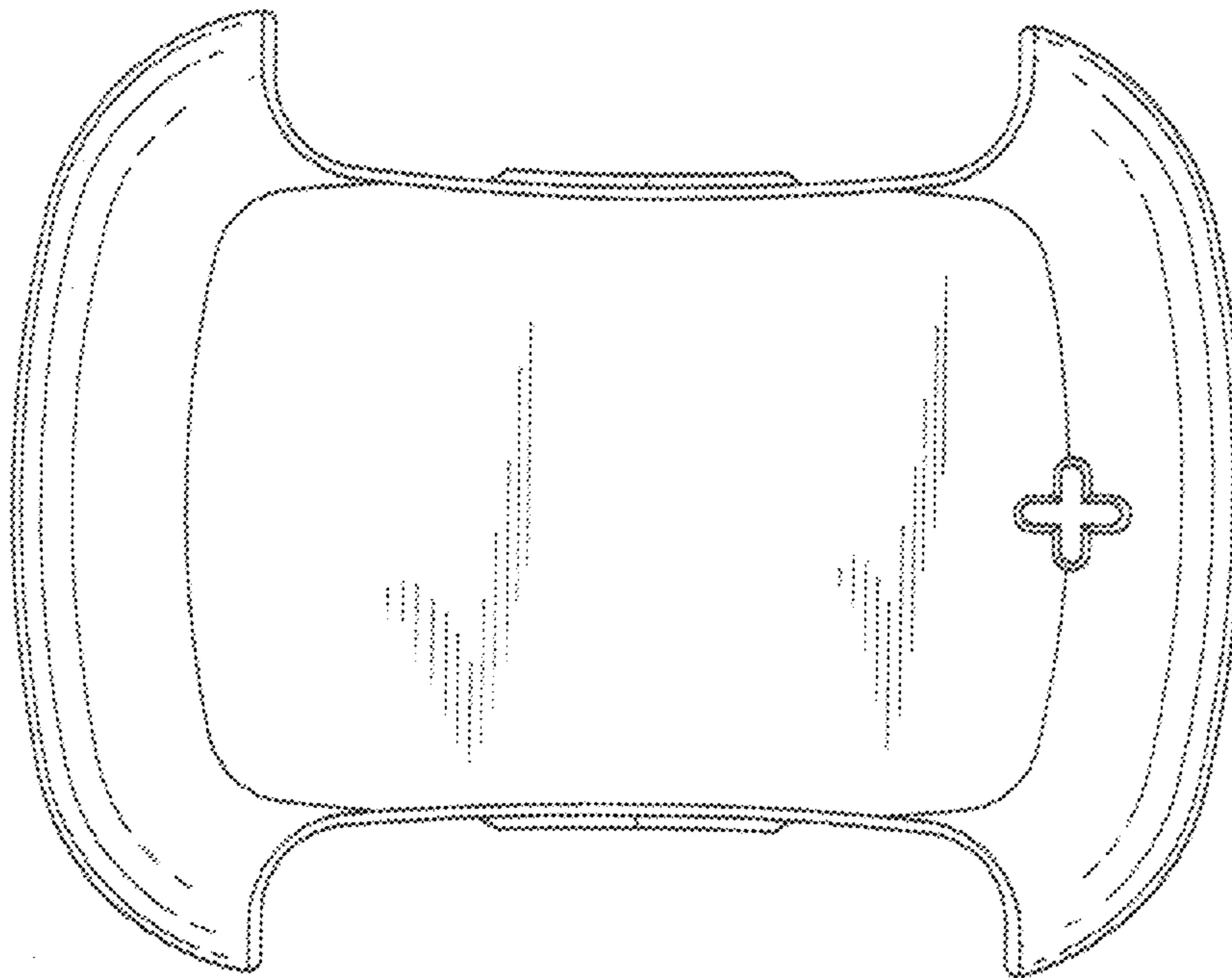


FIG. 4

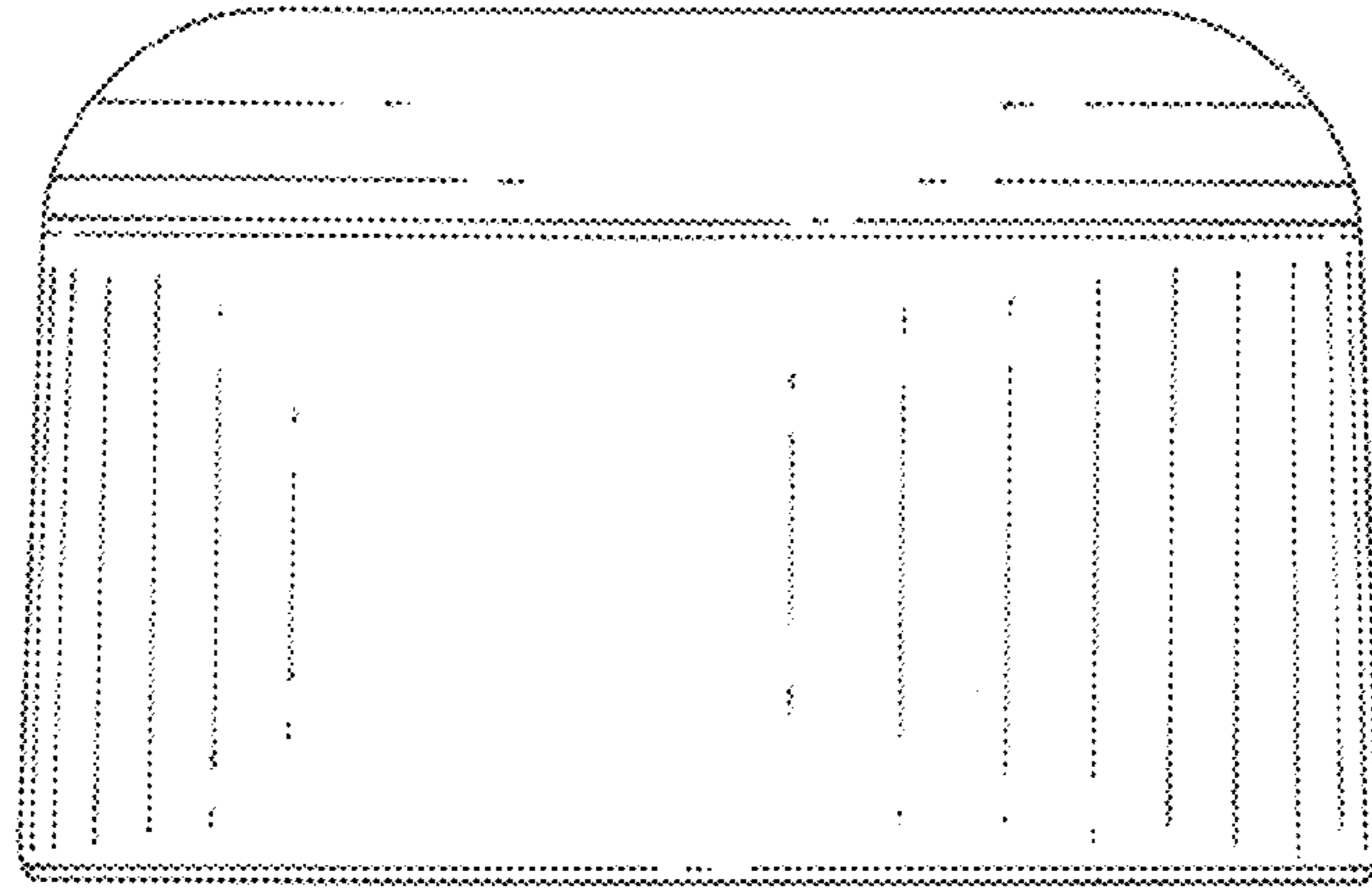


FIG. 5

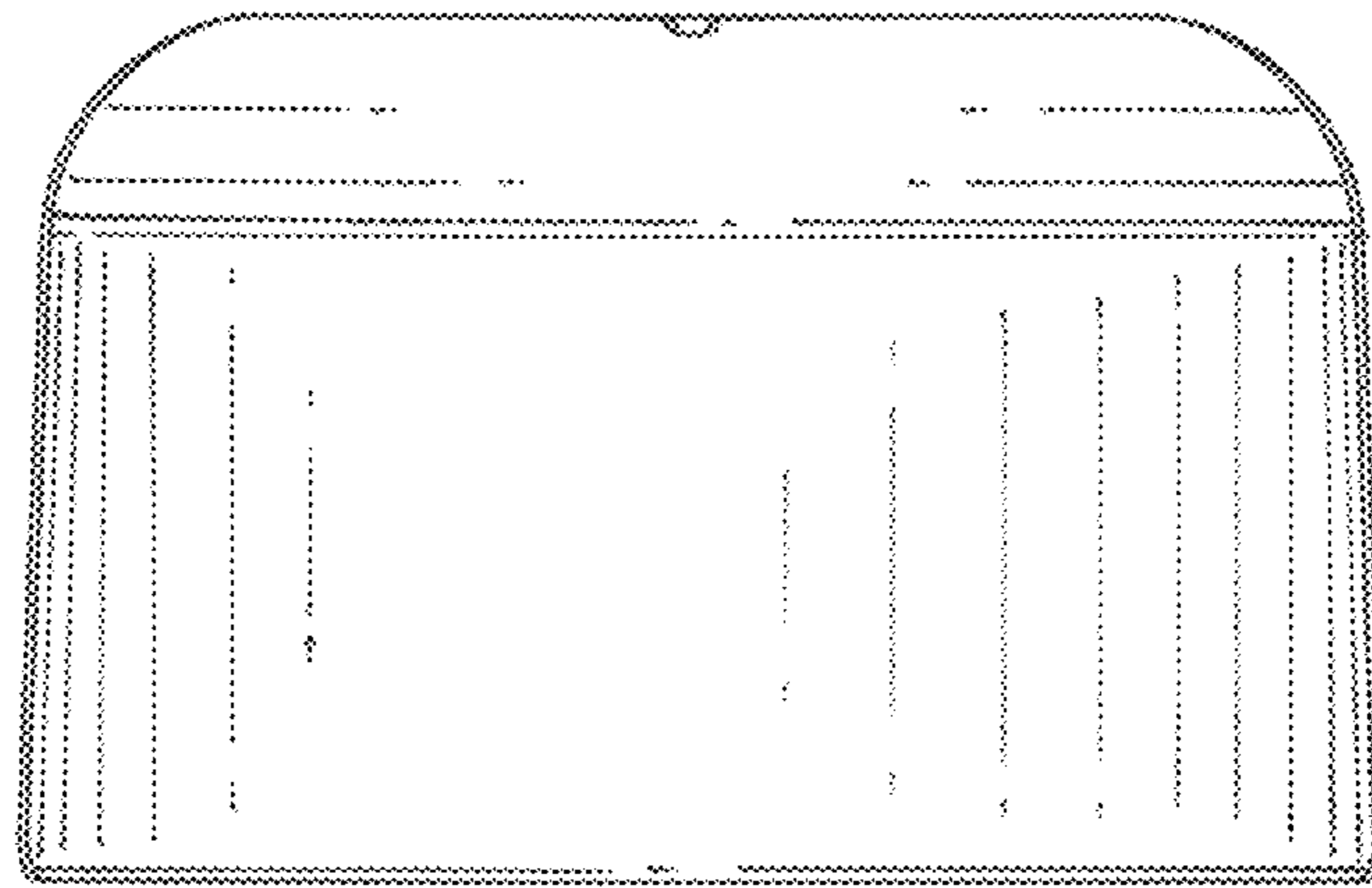


FIG. 6

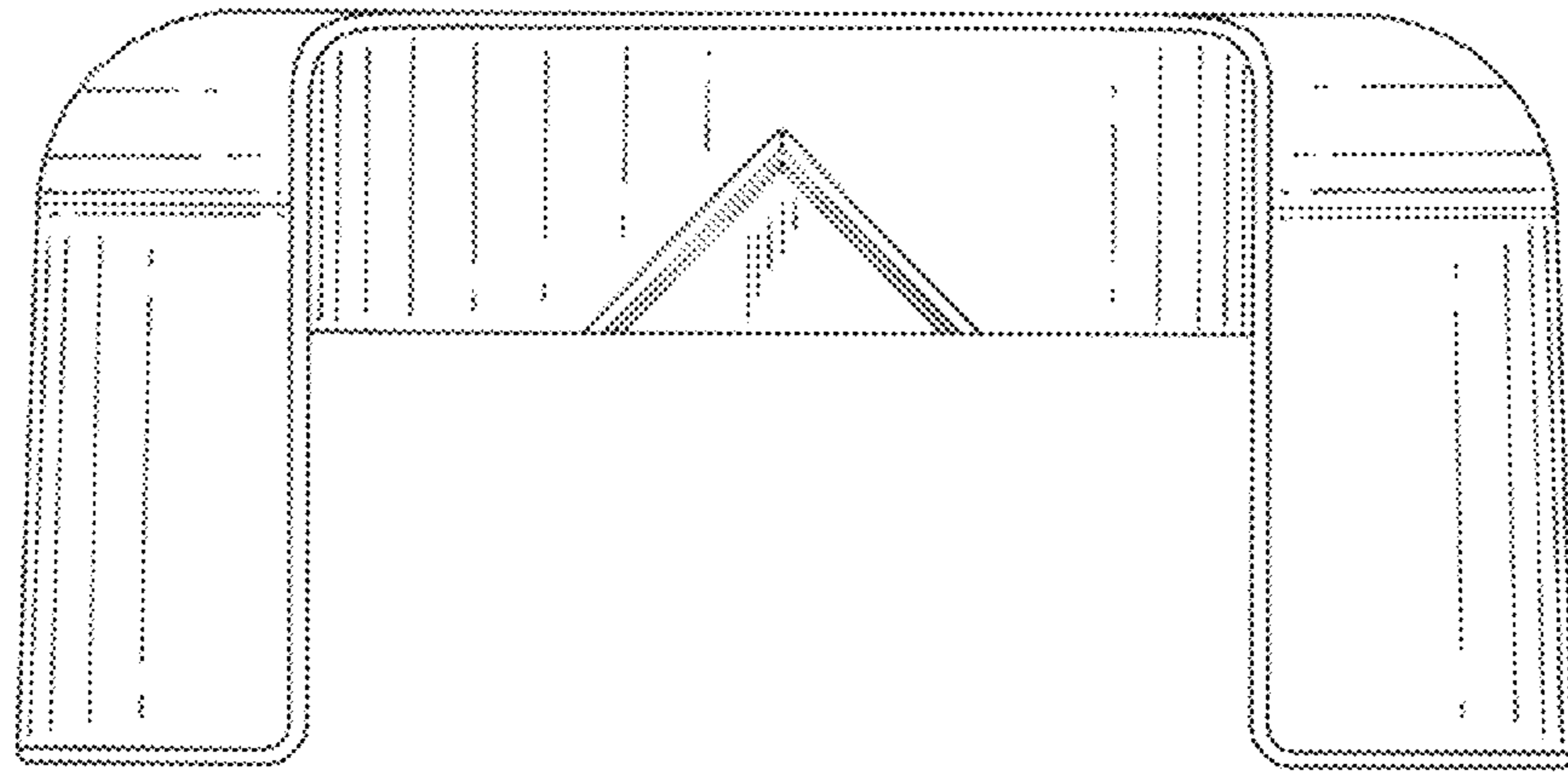


FIG. 7

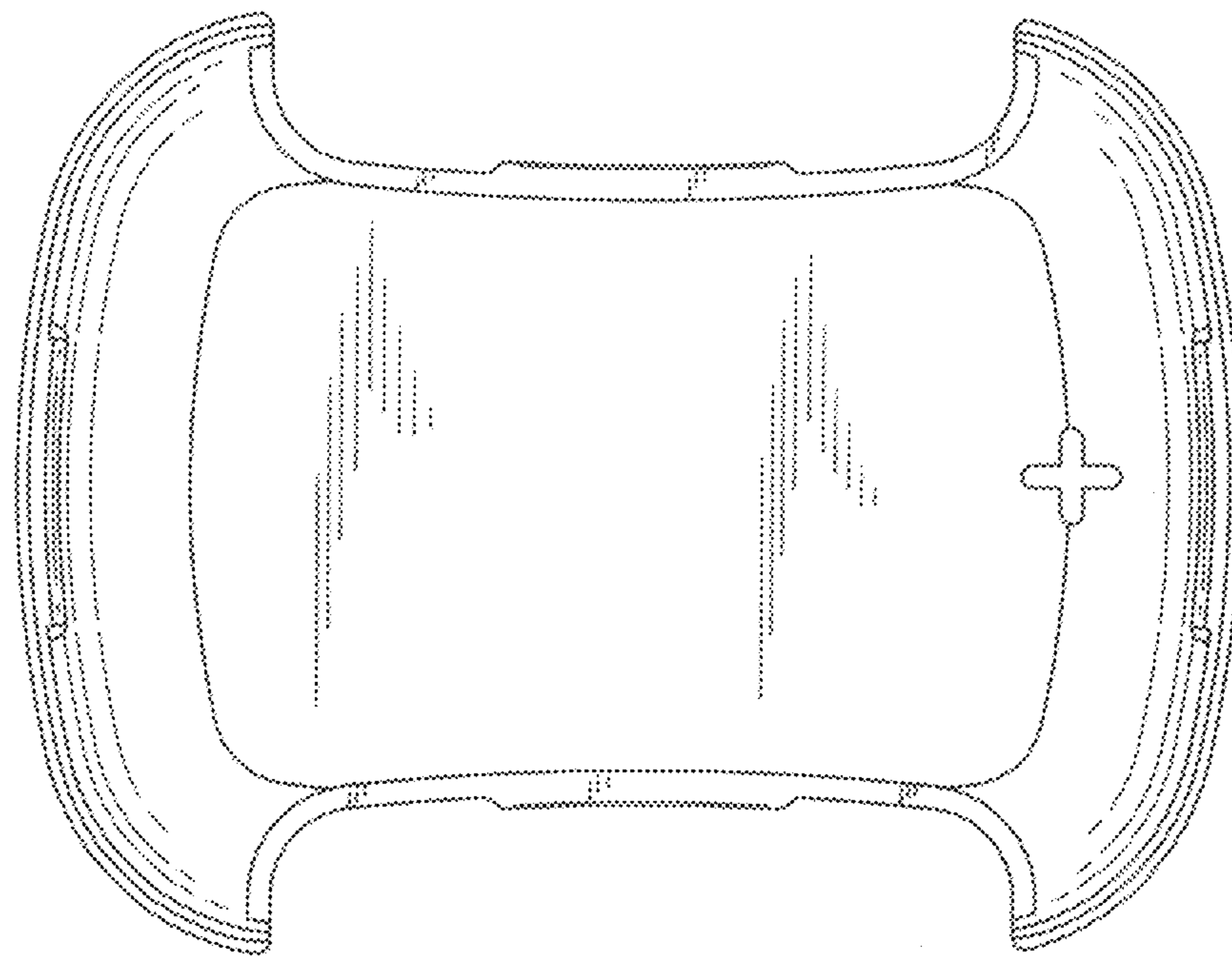


FIG. 8

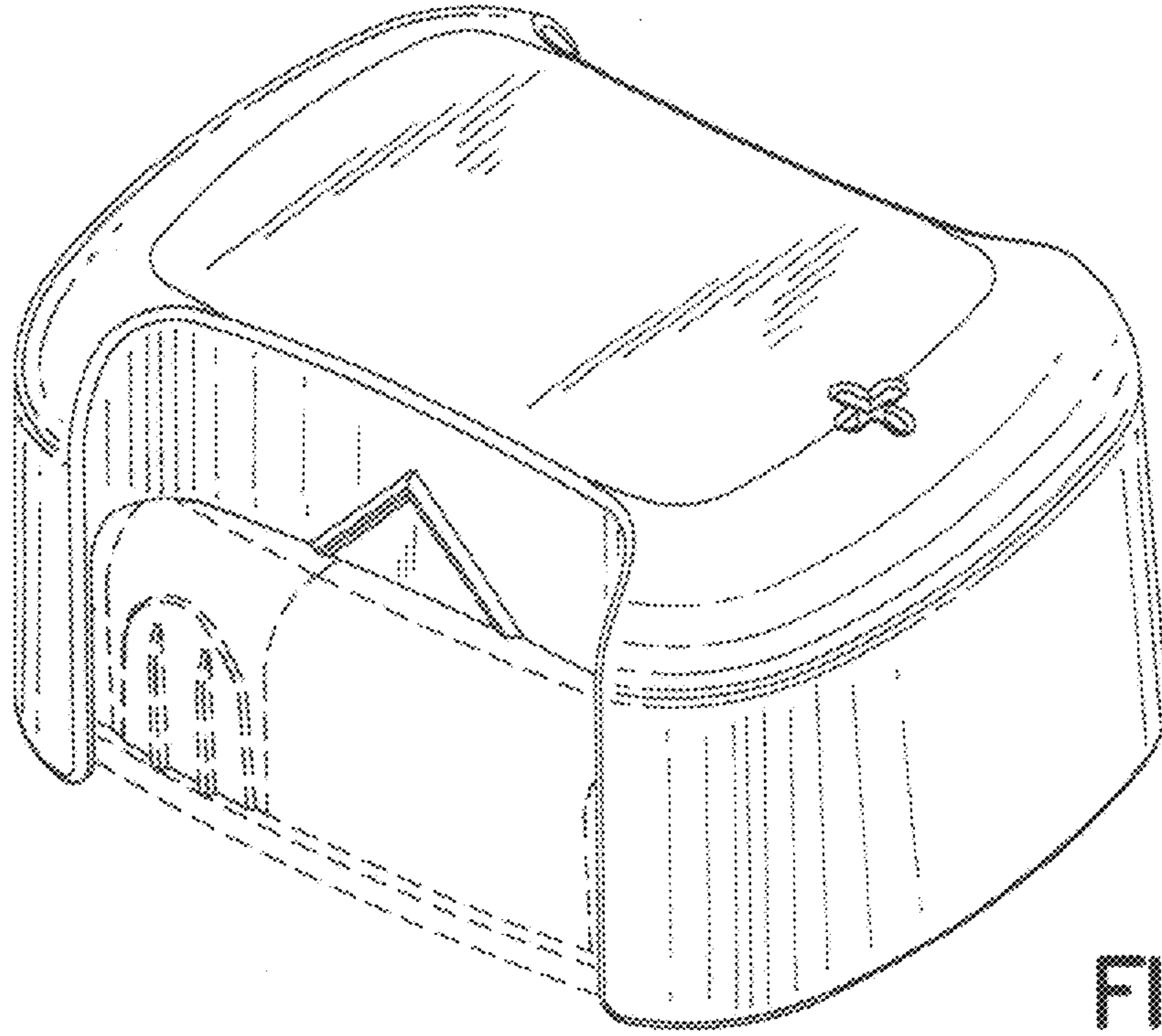


FIG. 9

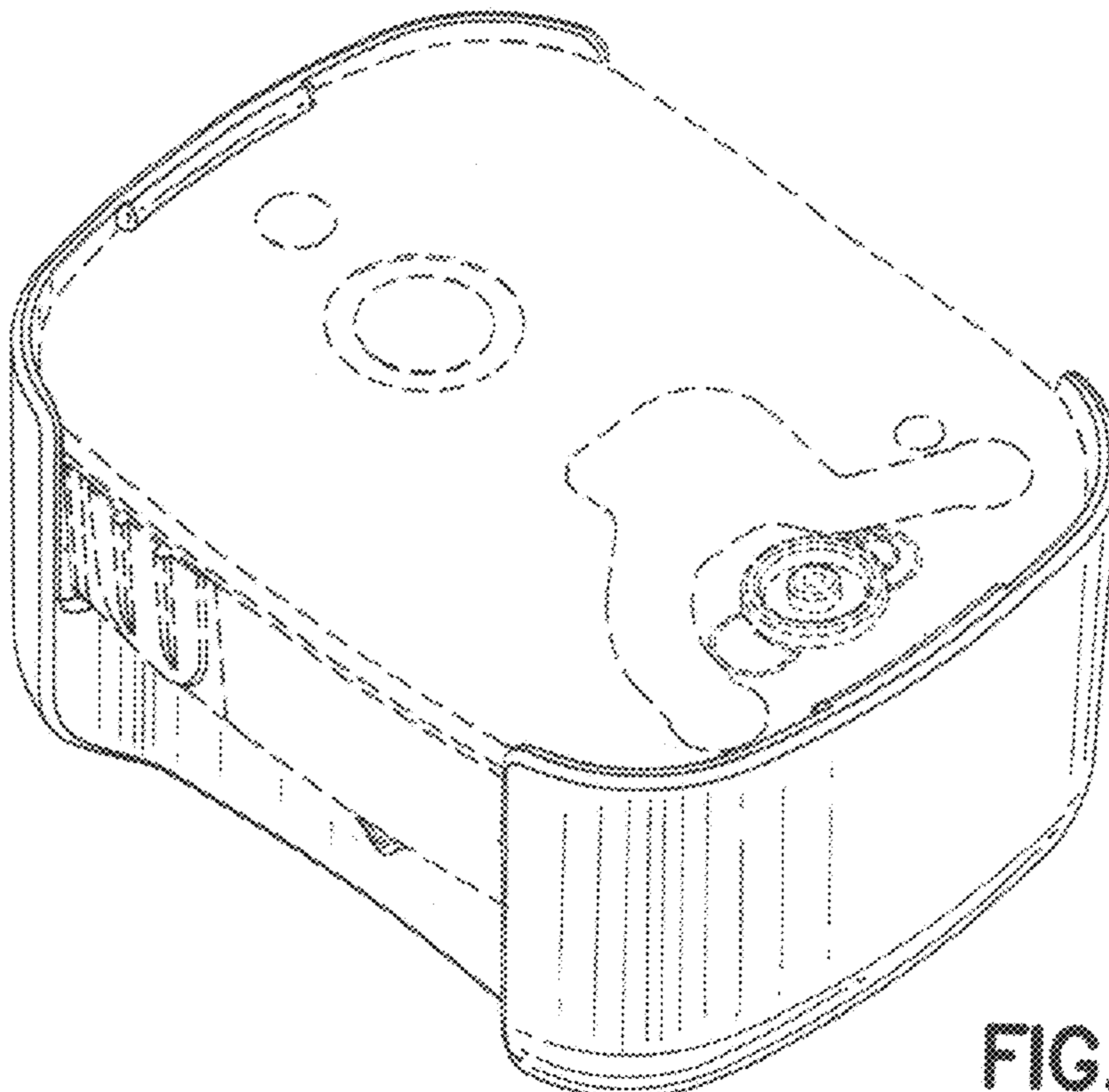


FIG. 10

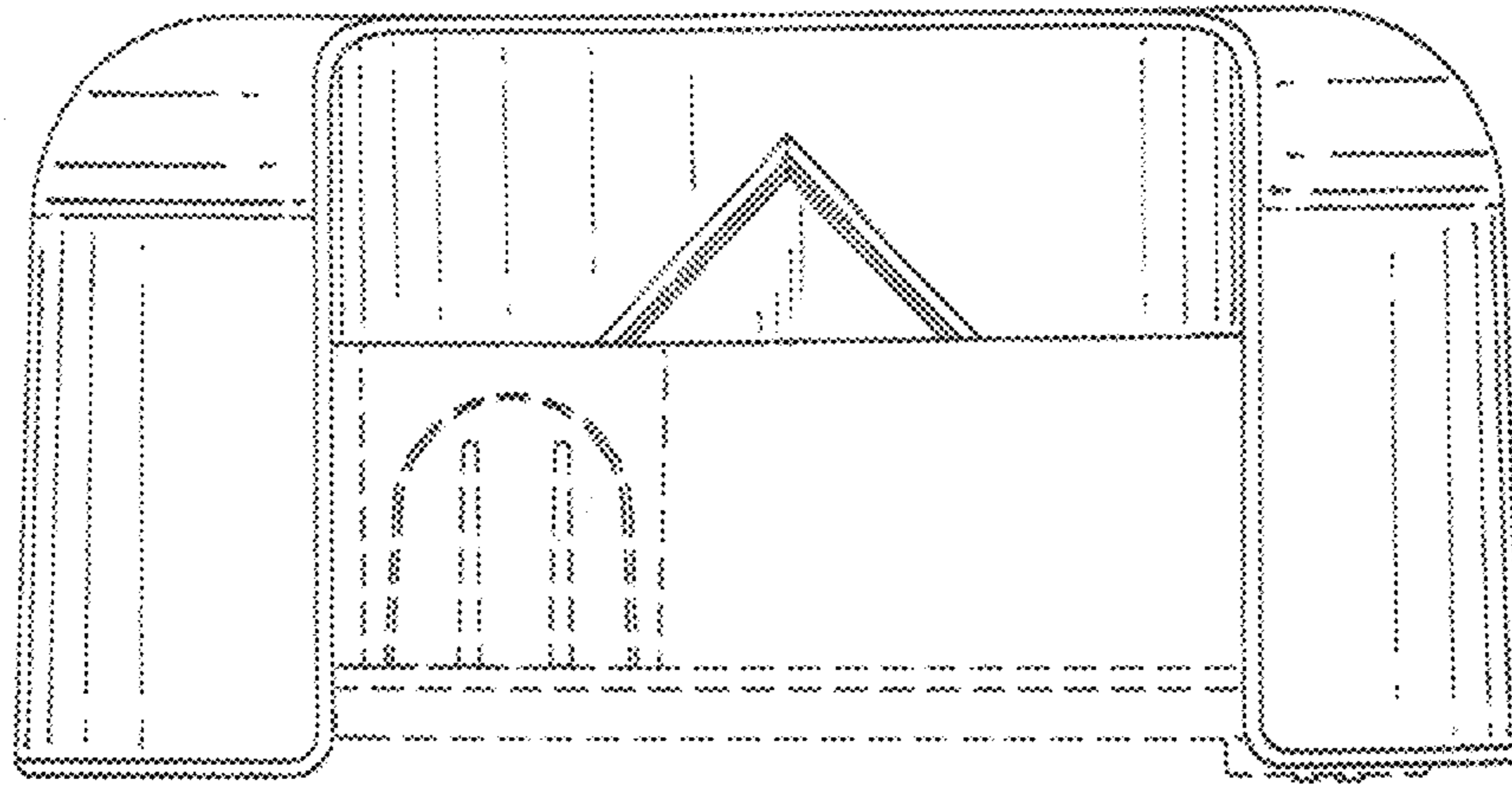


FIG. 11

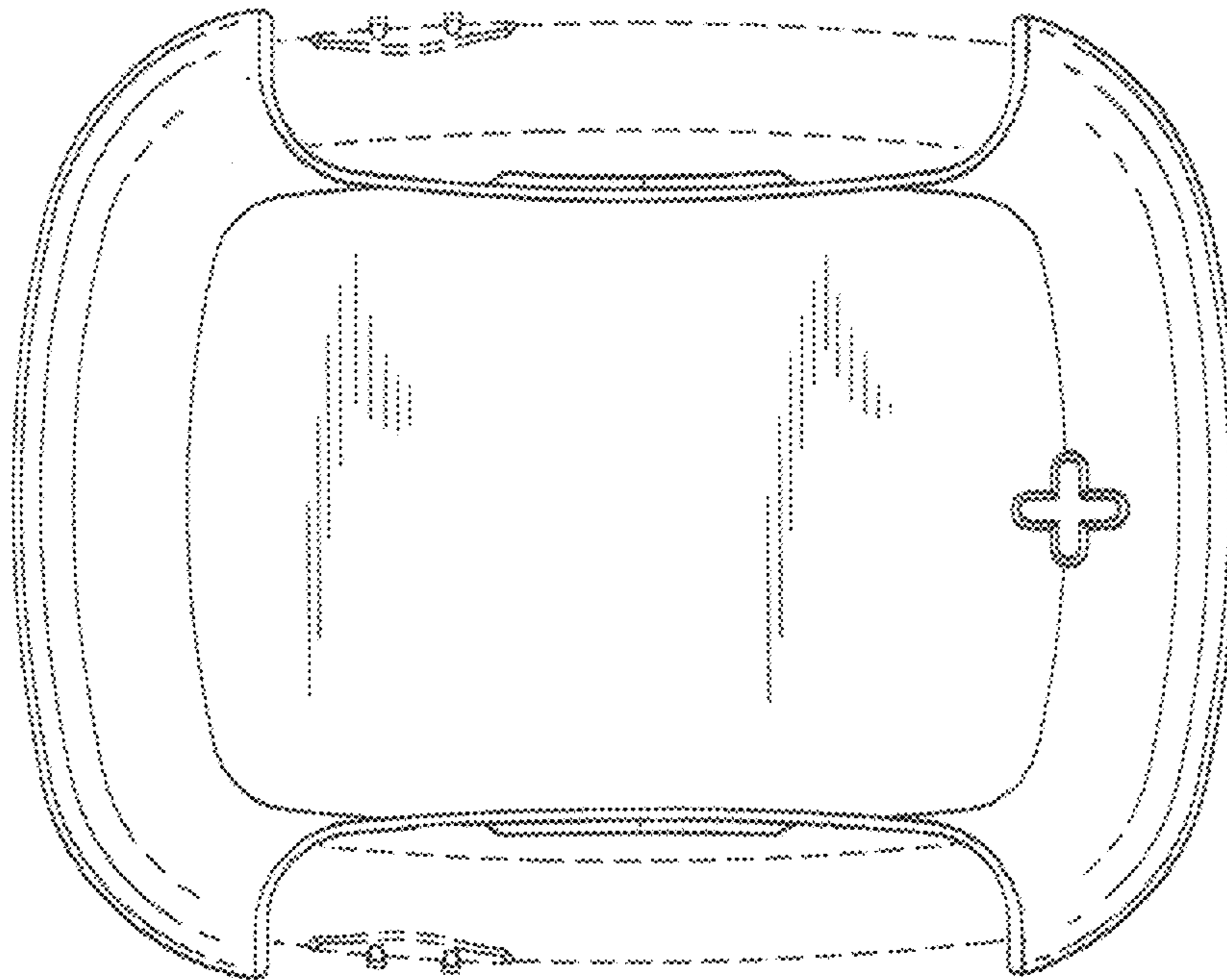


FIG. 12



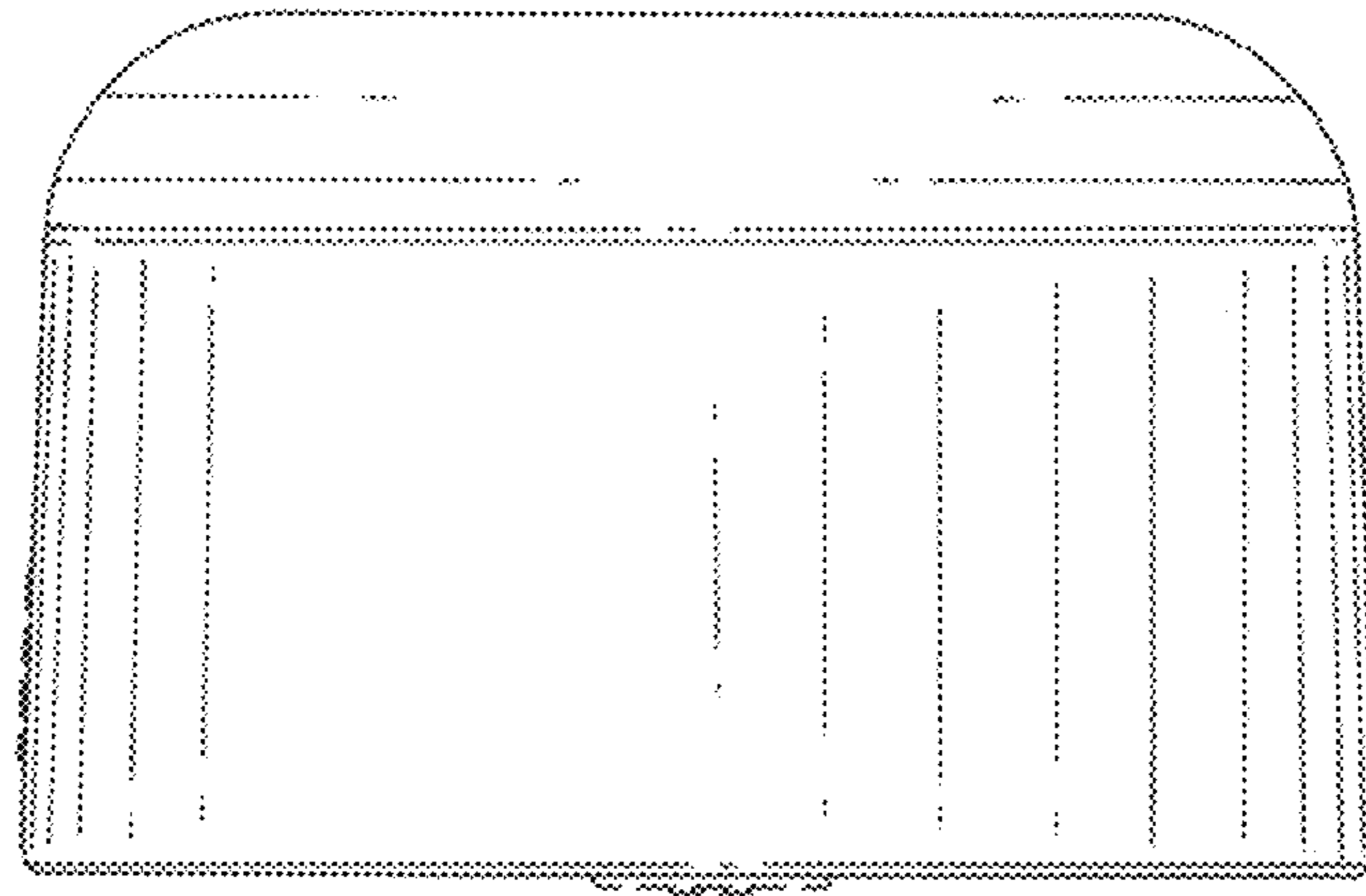


FIG. 13

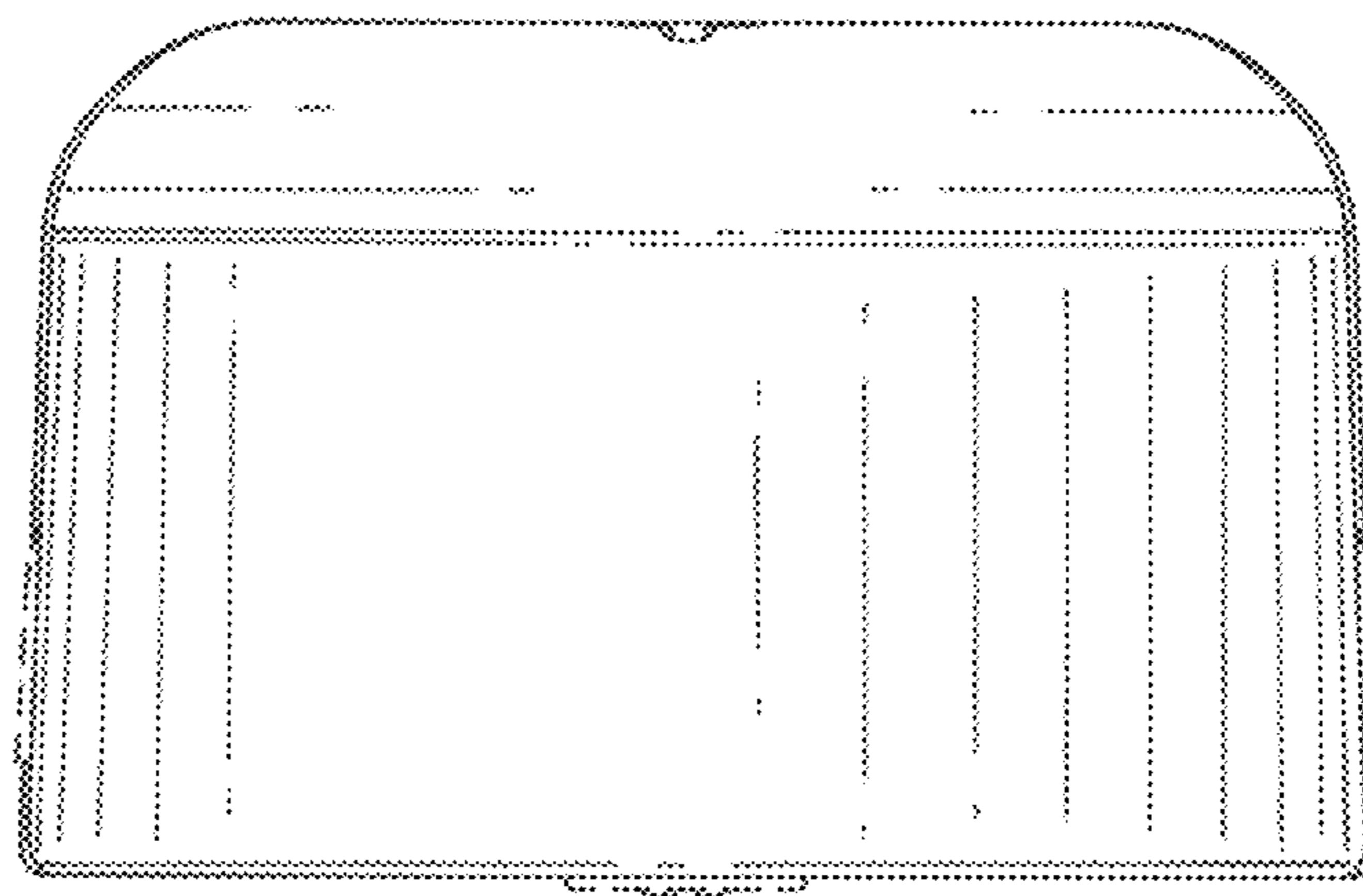


FIG. 14

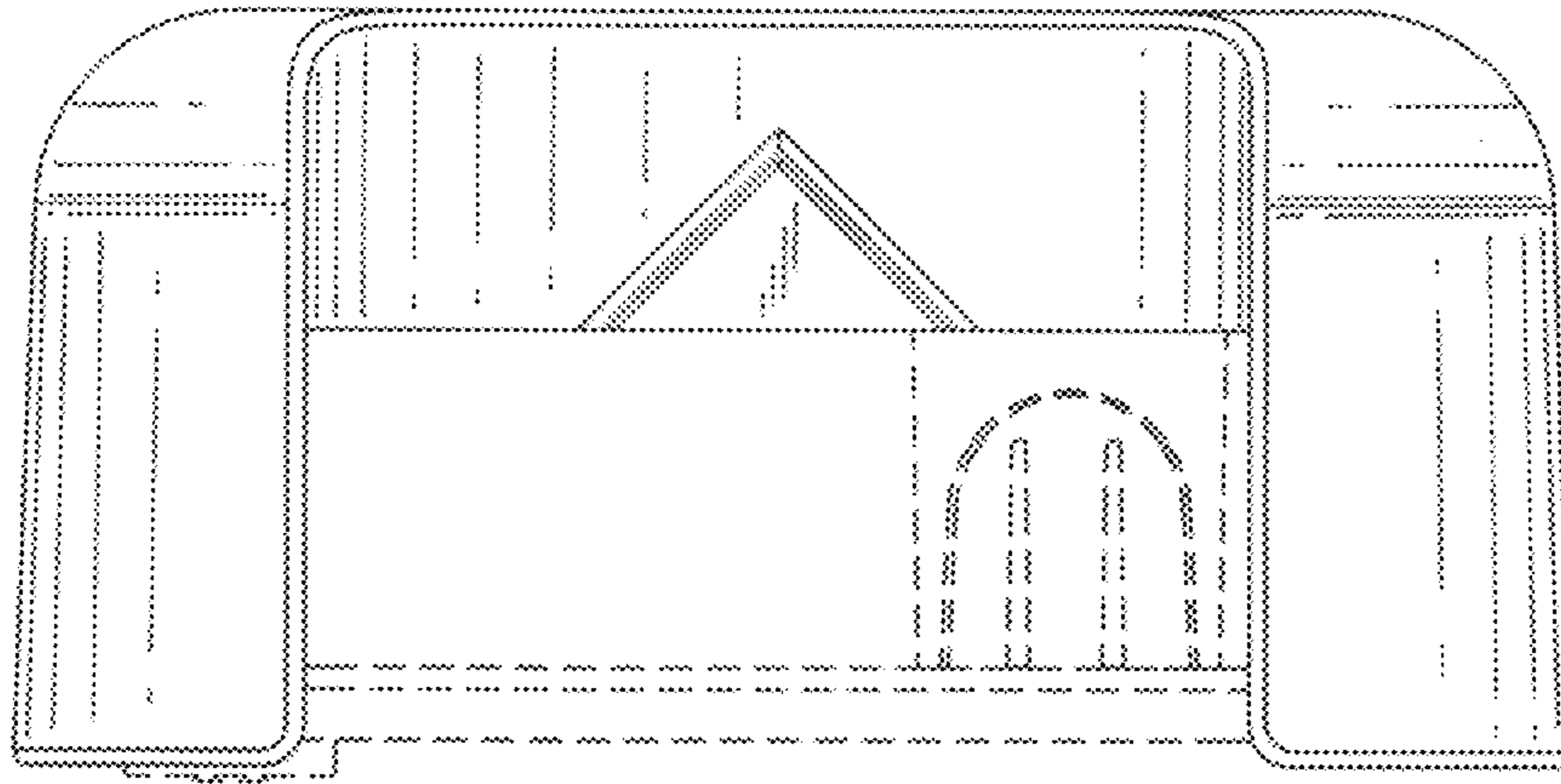


FIG. 15

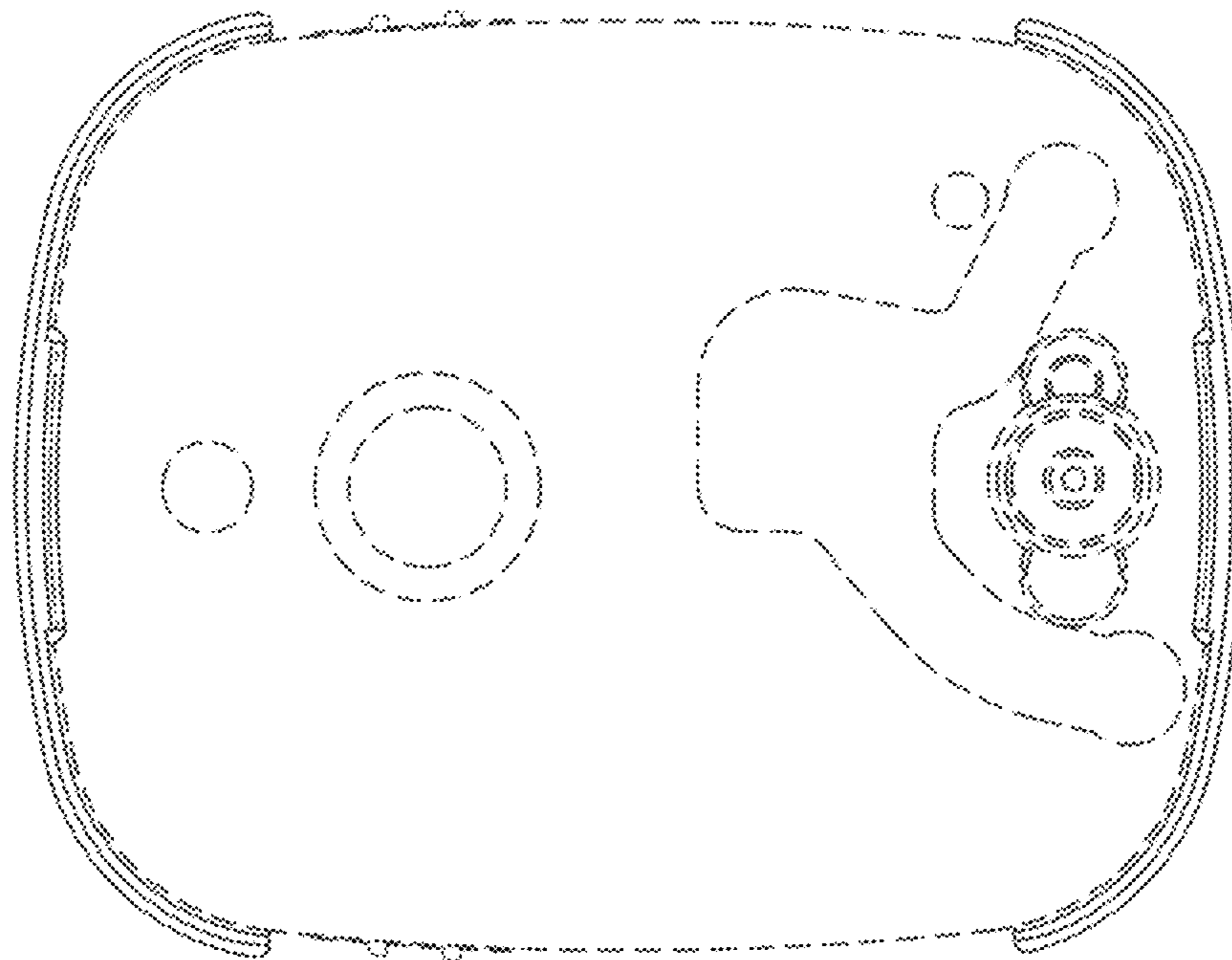


FIG. 16