



US0D1060812S

(12) **United States Design Patent** (10) **Patent No.:** **US D1,060,812 S**  
**Reaux** (45) **Date of Patent:** **\*\* \*Feb. 4, 2025**

- (54) **SMOKING ARTICLE ASHTRAY**
- (71) Applicant: **Brian K. Reaux**, Red Oak, TX (US)
- (72) Inventor: **Brian K. Reaux**, Red Oak, TX (US)
- (\*) Notice: This patent is subject to a terminal disclaimer.
- (\*\*) Term: **15 Years**
- (21) Appl. No.: **29/793,605**
- (22) Filed: **Jul. 21, 2023**
- (51) **LOC (15) Cl.** ..... **27-03**
- (52) **U.S. Cl.**  
USPC ..... **D27/106**
- (58) **Field of Classification Search**  
USPC ..... D27/106, 102, 108, 110, 111, 125, 127,  
D27/137, 138  
CPC ..... A24F 19/00; A24F 19/02; A24F 19/10;  
A24F 19/14; A24F 19/0035; A24F  
19/0078; A24F 19/0085; A24F 19/0092  
See application file for complete search history.

D989,389 S *	6/2023	Chen	.....	D27/187
D991,552 S *	7/2023	Chen	.....	D27/187
D1,020,063 S *	3/2024	Chen	.....	D27/102
D1,021,222 S *	4/2024	Yao	.....	D27/102
D1,028,333 S *	5/2024	Rogen	.....	D27/102

**OTHER PUBLICATIONS**

Hat Ashtray By: SmokeBazar found on Ebay (Jul. 8, 2024) <https://www.ebay.com/itm/266878963895> (Dec. 2010).\*

\* cited by examiner

*Primary Examiner* — Rebecca Tsehaye

(57) **CLAIM**

The ornamental design for a smoking article ashtray, as shown and described.

**DESCRIPTION**

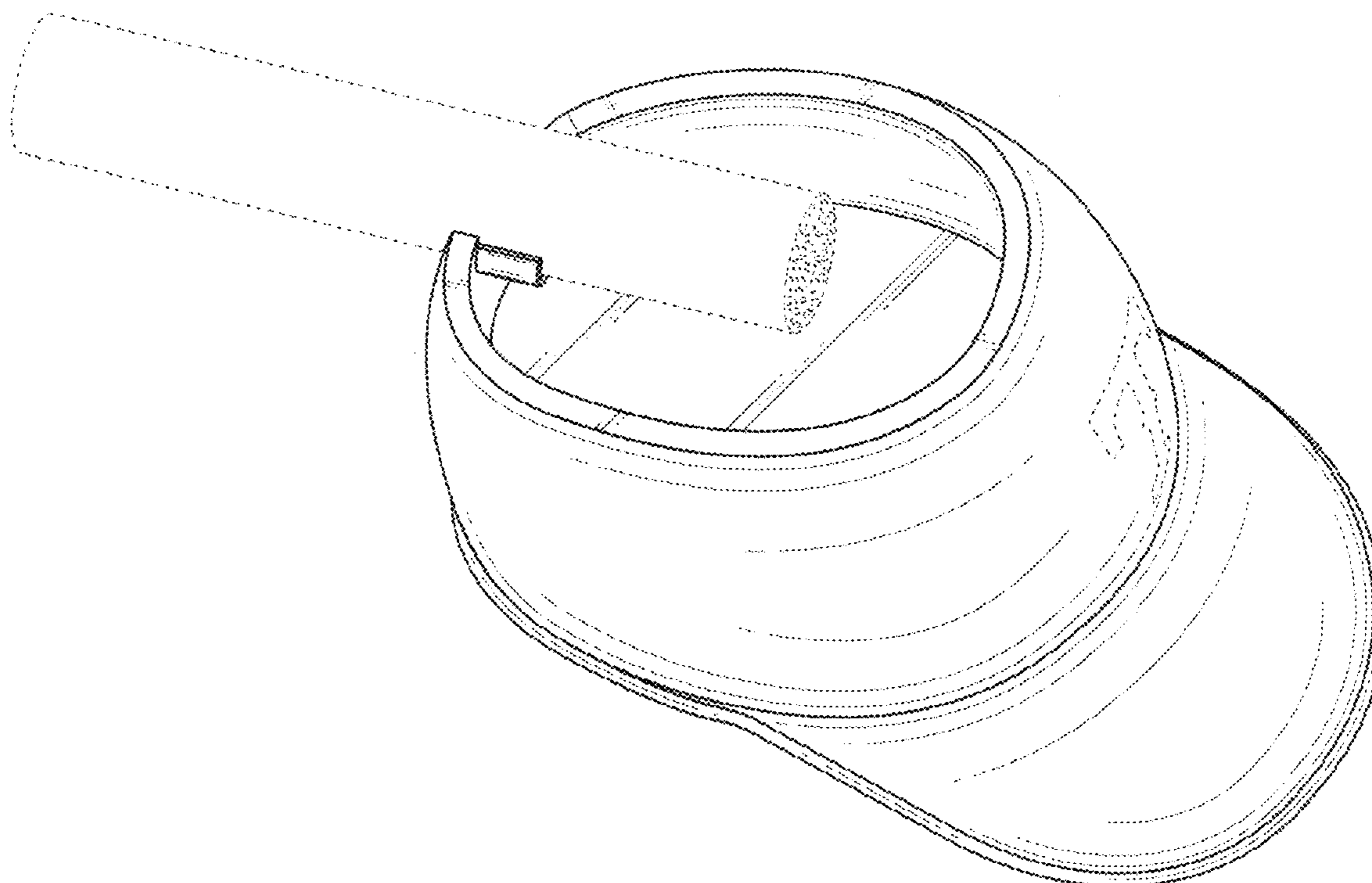
FIG. 1 is a top, front perspective view of the smoking article ashtray, showing my new design;  
FIG. 2 is a right side view of the smoking article ashtray, and the left side being a mirror image, showing my new design;  
FIG. 3 is a left side rear view thereof, and the right side rear being a mirror image; and,  
FIG. 4 is a plan rear view of the smoking article ashtray.  
The broken lines in the drawings depict portions of the smoking article ashtray that form no part of the claimed design.

**1 Claim, 4 Drawing Sheets**

(56) **References Cited**

**U.S. PATENT DOCUMENTS**

D243,025 S *	1/1977	Sickul	.....	D27/120
D399,024 S *	9/1998	Hicaro, Jr.	.....	D27/102
D432,712 S *	10/2000	Perrier	.....	D27/102
D780,992 S *	3/2017	Lozier	.....	D27/125
D877,973 S *	3/2020	Yohanan	.....	D27/106
D901,759 S *	11/2020	Dinkins	.....	D27/102
D969,397 S *	11/2022	Saleh	.....	D27/102
D977,185 S *	1/2023	Wang	.....	D27/102



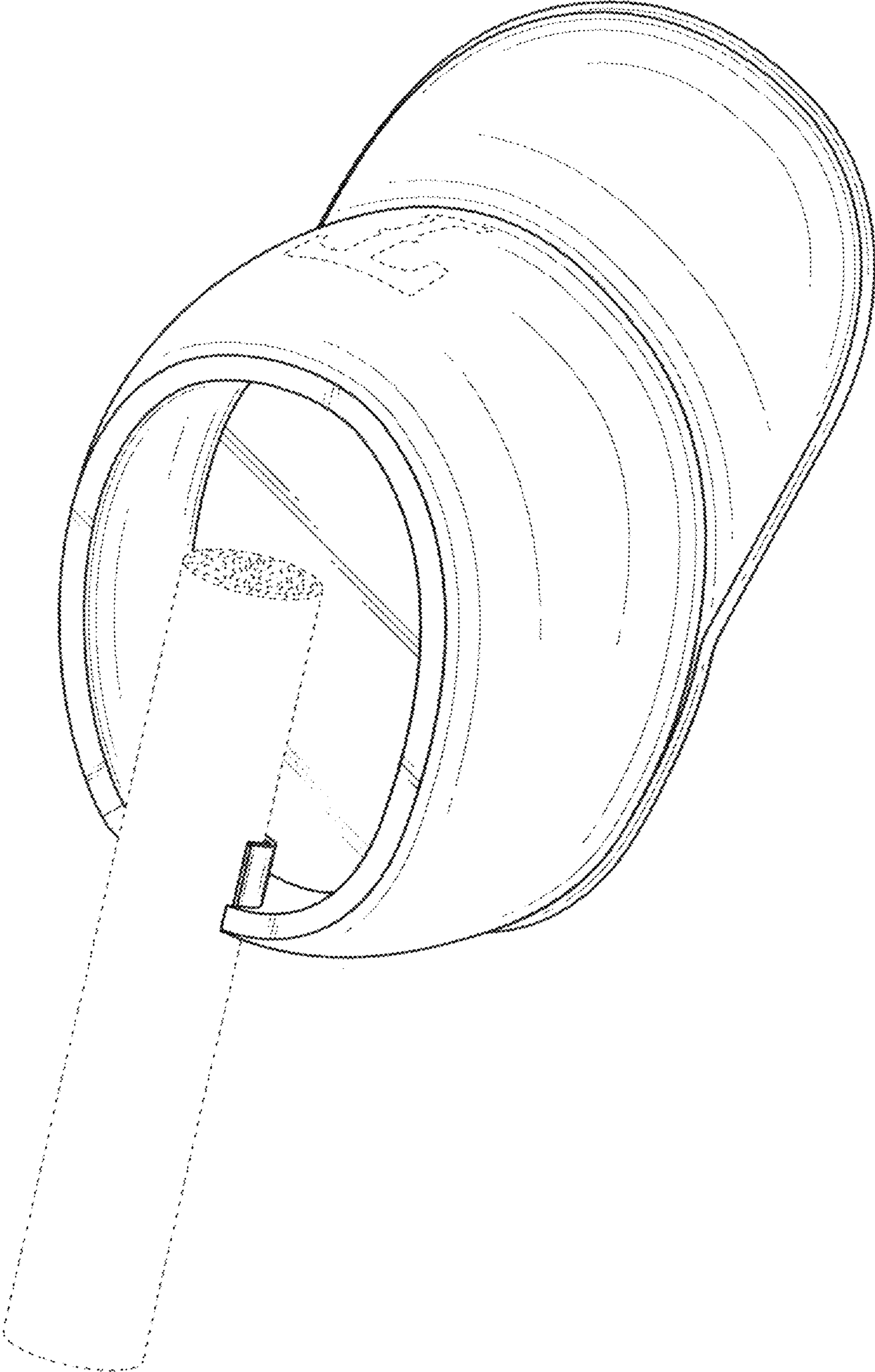


FIG. 1

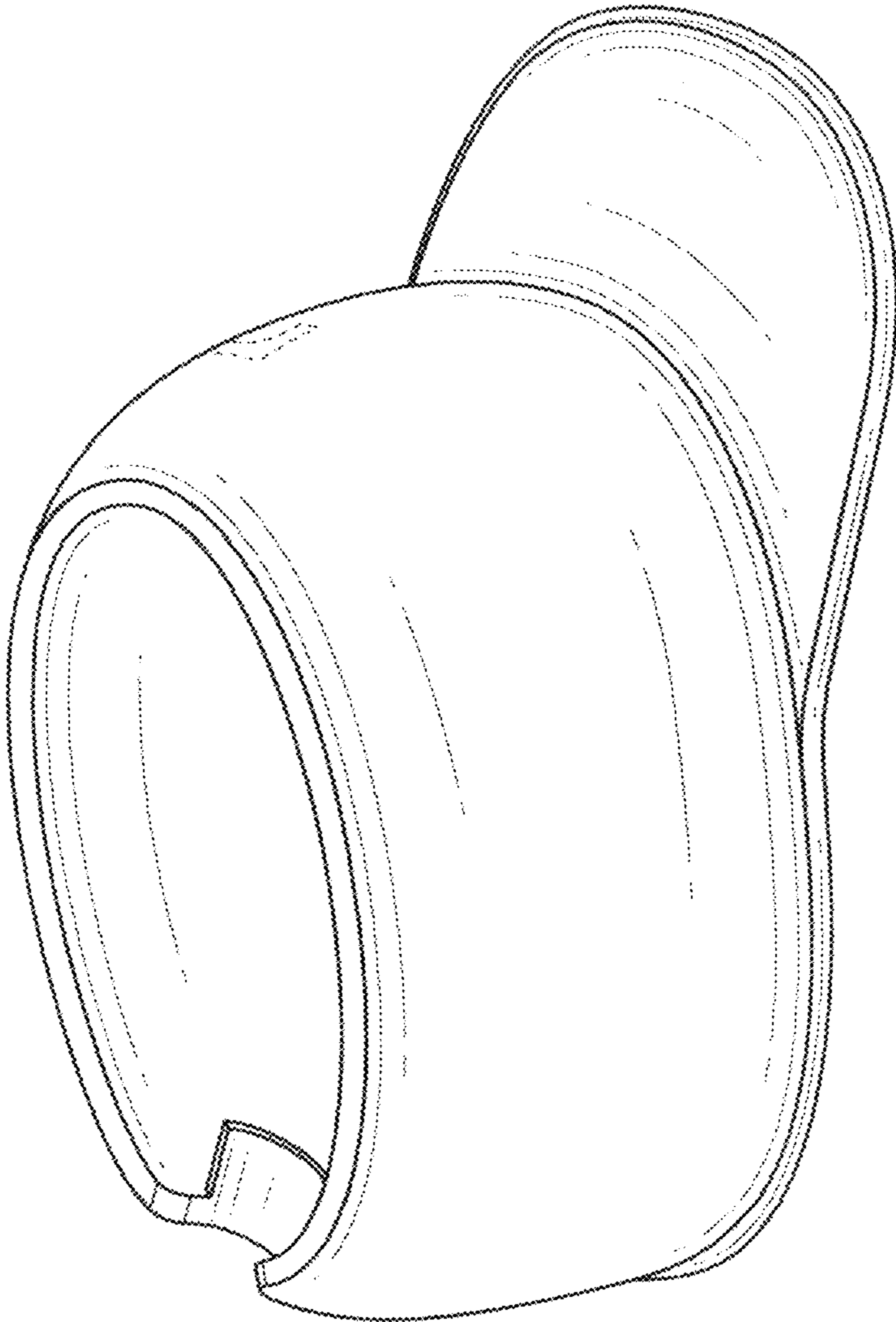


FIG. 2

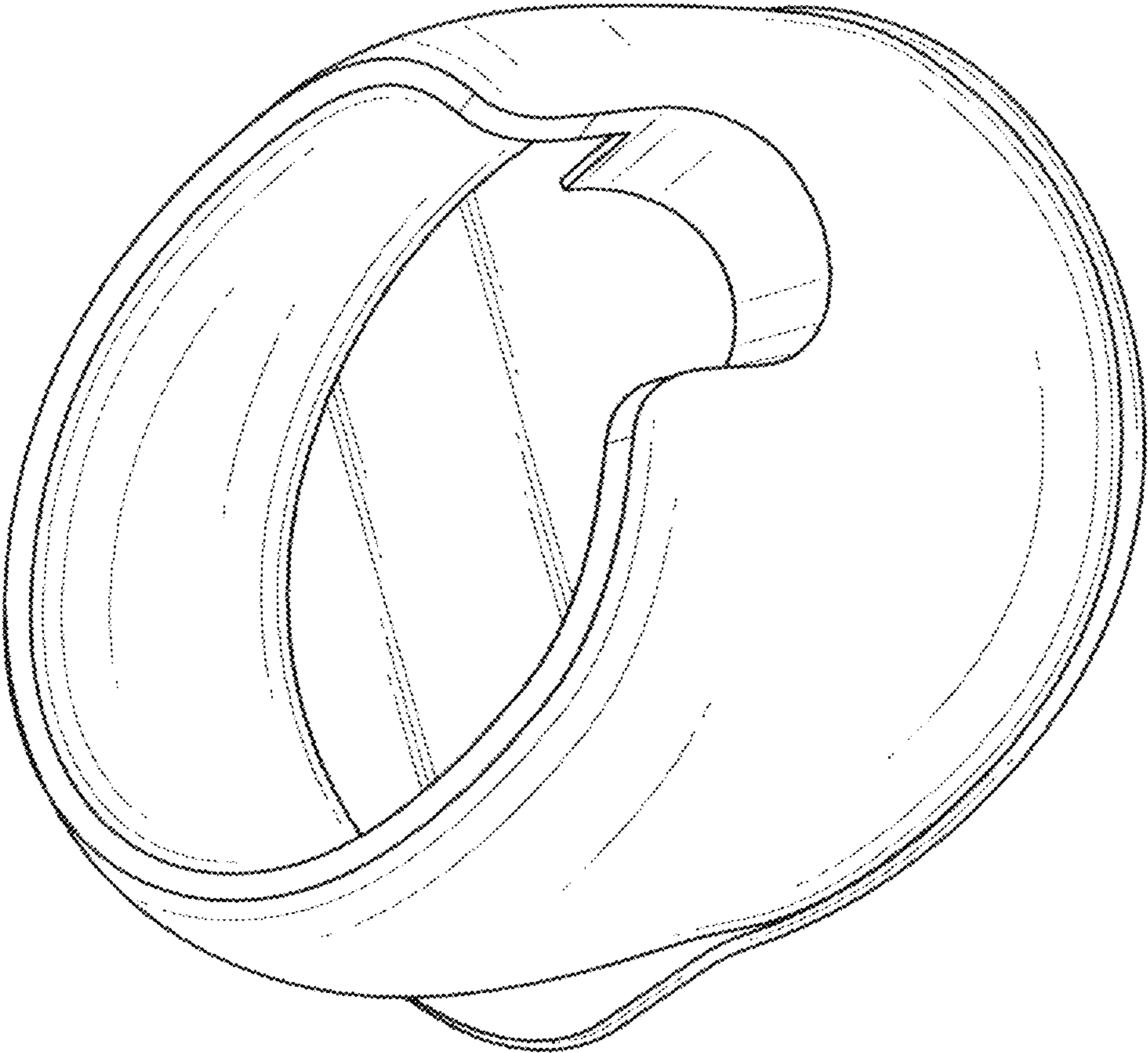


FIG. 3



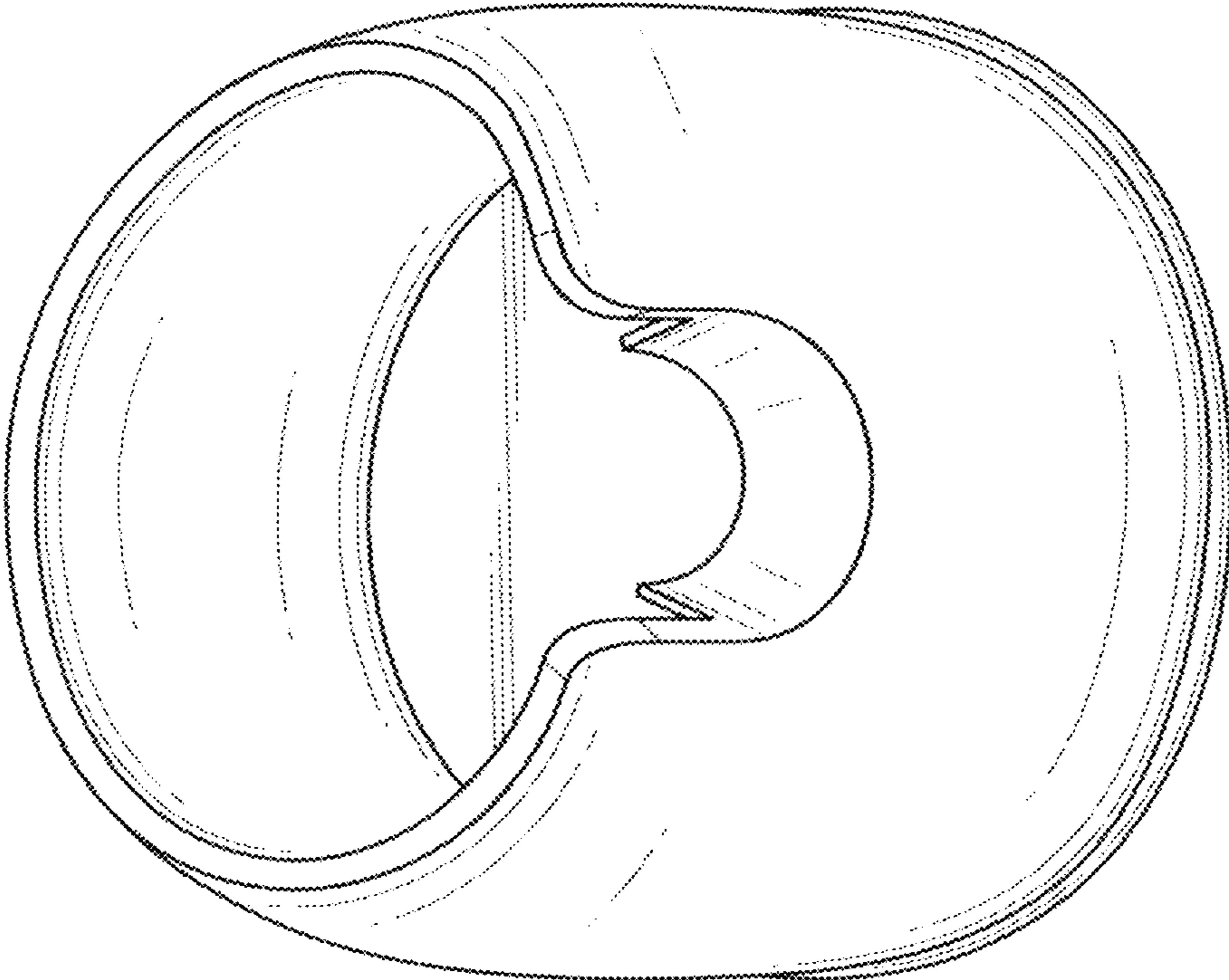


FIG. 4