



US0D1060809S

(12) **United States Design Patent** (10) **Patent No.:** **US D1,060,809 S**  
**Kennedy** (45) **Date of Patent:** **\*\* Feb. 4, 2025**

(54) **LIGHT STAKE**

(71) Applicant: **Canny Systems, LLC**, Mansfield, TX (US)

(72) Inventor: **Stacy L. Kennedy**, Mansfield, TX (US)

(73) Assignee: **Canny Systems, LLC**, Mansfield, TX (US)

(\*\*) Term: **15 Years**

(21) Appl. No.: **29/953,232**

(22) Filed: **Jul. 19, 2024**

**Related U.S. Application Data**

(62) Division of application No. 29/791,567, filed on Jan. 18, 2022, now Pat. No. Des. 1,036,760.

(51) **LOC (15) Cl.** ..... **26-05**

(52) **U.S. Cl.**  
USPC ..... **D26/142**

(58) **Field of Classification Search**  
USPC ..... D26/67, 138, 142, 153; D8/356, 395, D8/396; D21/840

(Continued)

(56) **References Cited**

**U.S. PATENT DOCUMENTS**

891,448 A \* 6/1908 Sinder ..... E02D 5/801  
52/165  
3,255,565 A \* 6/1966 Menzel ..... E04C 5/206  
52/678

(Continued)

**FOREIGN PATENT DOCUMENTS**

HK 1100285-0001 \* 6/2011  
JP D1725151 \* 9/2022  
JP D1755126 \* 10/2023

**OTHER PUBLICATIONS**

“Canny Systems—11" Ground Stake”, available in christmasdesigners.com, first available online Sep. 29, 2022 (per Wayback Machine),

site visited Feb. 26, 2024, Internet URL: <https://web.archive.org/web/20220929204722/https://www.christmasdesigners.com/canny-systems-11-ground-stake-bag-of-25.html> (Year: 2022).\*

(Continued)

*Primary Examiner* — Samantha Wood

*Assistant Examiner* — Anthony Vincent Rotolo

(74) *Attorney, Agent, or Firm* — Ice Miller, LLP; Justin Swindells

(57) **CLAIM**

The ornamental design for a light stake as shown and described.

**DESCRIPTION**

FIG. 1 is a front perspective of a light stake according to the claimed design.

FIG. 2 is a back perspective view of the light stake shown in FIG. 1.

FIG. 3 is a front view of the light stake shown in FIG. 1.

FIG. 4 is a back view of the light stake shown in FIG. 1.

FIG. 5 is a left view of the light stake shown in FIG. 1.

FIG. 6 is a right view of the light stake shown in FIG. 1.

FIG. 7 is a top view of the light stake shown in FIG. 1, and

FIG. 8 is a bottom view of the light stake shown in FIG. 1.

FIG. 9 is a front perspective of a light stake, in accordance with a second embodiment.

FIG. 10 is a back perspective view of the light stake shown in FIG. 9.

FIG. 11 is a front view of the light stake shown in FIG. 9.

FIG. 12 is a back view of the light stake shown in FIG. 9.

FIG. 13 is a left view of the light stake shown in FIG. 9.

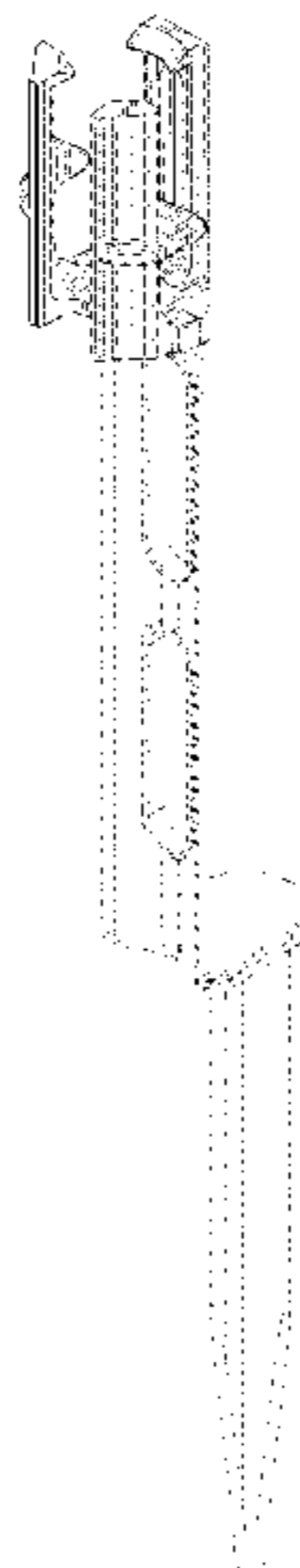
FIG. 14 is a right view of the light stake shown in FIG. 9.

FIG. 15 is a top view of the light stake shown in FIG. 9; and,

FIG. 16 is a bottom view of the light stake shown in FIG. 9.

The broken lines shown in dash-dash form are dashed lines that show unclaimed portions and form no part of the claimed design. The broken lines shown in dot-dash form are boundary lines that do not exist in reality in the light stake embodying the design and show bounds of the claimed

(Continued)



design. It is understood that the claimed design extends to the boundary lines, but does not include the boundary lines.

**1 Claim, 14 Drawing Sheets**

**(58) Field of Classification Search**

CPC ..... F21S 4/10; F21S 9/00; F21S 9/03; F21S 9/035; F21S 9/037; F21V 21/08; F21V 21/088; F21V 21/0824; F21W 2131/109

See application file for complete search history.

**(56)**

**References Cited**

**U.S. PATENT DOCUMENTS**

D365,169	S	*	12/1995	Fillipp	.....	D21/718
5,562,269	A	*	10/1996	Protz, Jr.	.....	F21V 19/0005 248/205.5
5,570,952	A	*	11/1996	Protz, Jr.	.....	F21V 21/116 248/74.1

6,040,514	A	*	3/2000	Liao	.....	G10D 13/28 84/421
D570,675	S	*	6/2008	Snider	.....	D23/209
D710,677	S	*	8/2014	Frandsen	.....	D8/356
D939,335	S	*	12/2021	Kennedy	.....	D8/395
D957,929	S	*	7/2022	Kennedy	.....	D8/395
D1,036,760	S	*	7/2024	Kennedy	.....	D26/142
2018/0112855	A1	*	4/2018	Adams, IV	.....	F21V 17/164
2023/0167969	A1	*	6/2023	Kennedy	.....	F21S 4/10 362/396
2023/0366528	A1	*	11/2023	Nichols	.....	F21V 31/005
2024/0133545	A1	*	4/2024	Limber	.....	F16B 2/22

**OTHER PUBLICATIONS**

“100-Pack Plastic Light Stakes, 4.5 Inch”, available in Amazon.com, first available online Unknown, site visited Feb. 26, 2024, Internet URL: [https://www.amazon.com/dp/B0817RF7V9?ref\\_=cm\\_sw\\_r\\_cp\\_ud\\_dp\\_1AHDKDAJX229ZM2GG3YF&th=1](https://www.amazon.com/dp/B0817RF7V9?ref_=cm_sw_r_cp_ud_dp_1AHDKDAJX229ZM2GG3YF&th=1) (Year: 2024).\*

\* cited by examiner

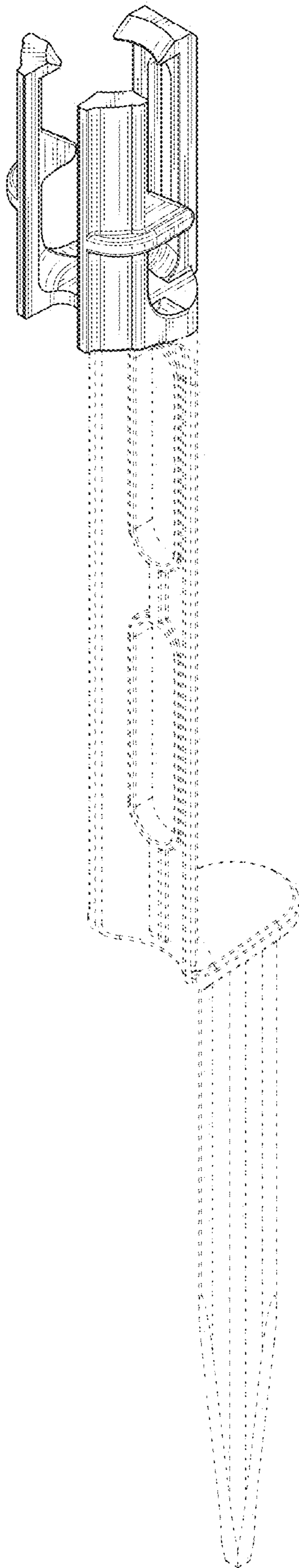


FIG. 1

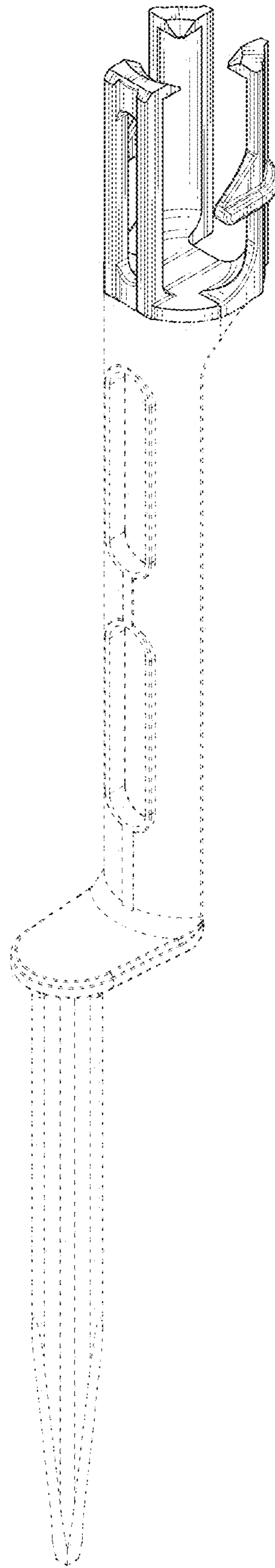


FIG. 2

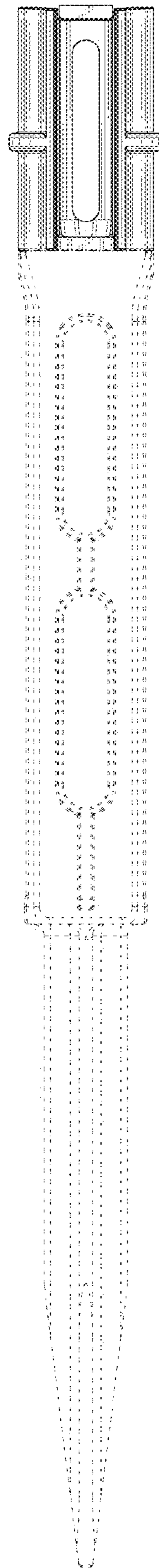


FIG. 3

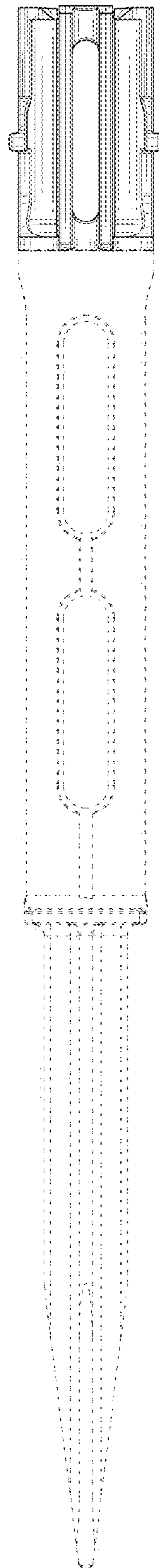


FIG. 4

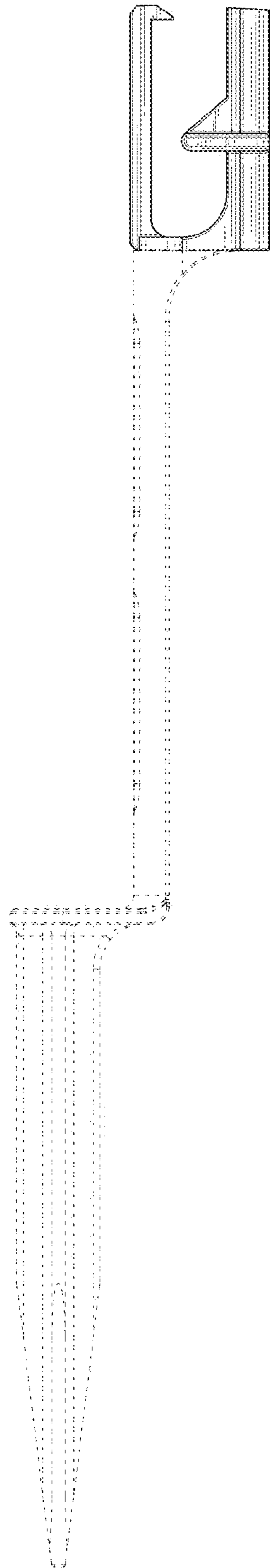


FIG. 5

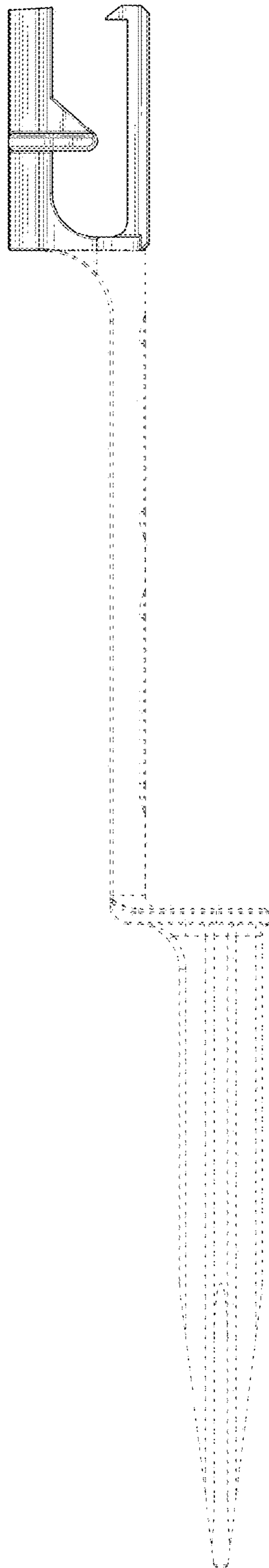


FIG. 6



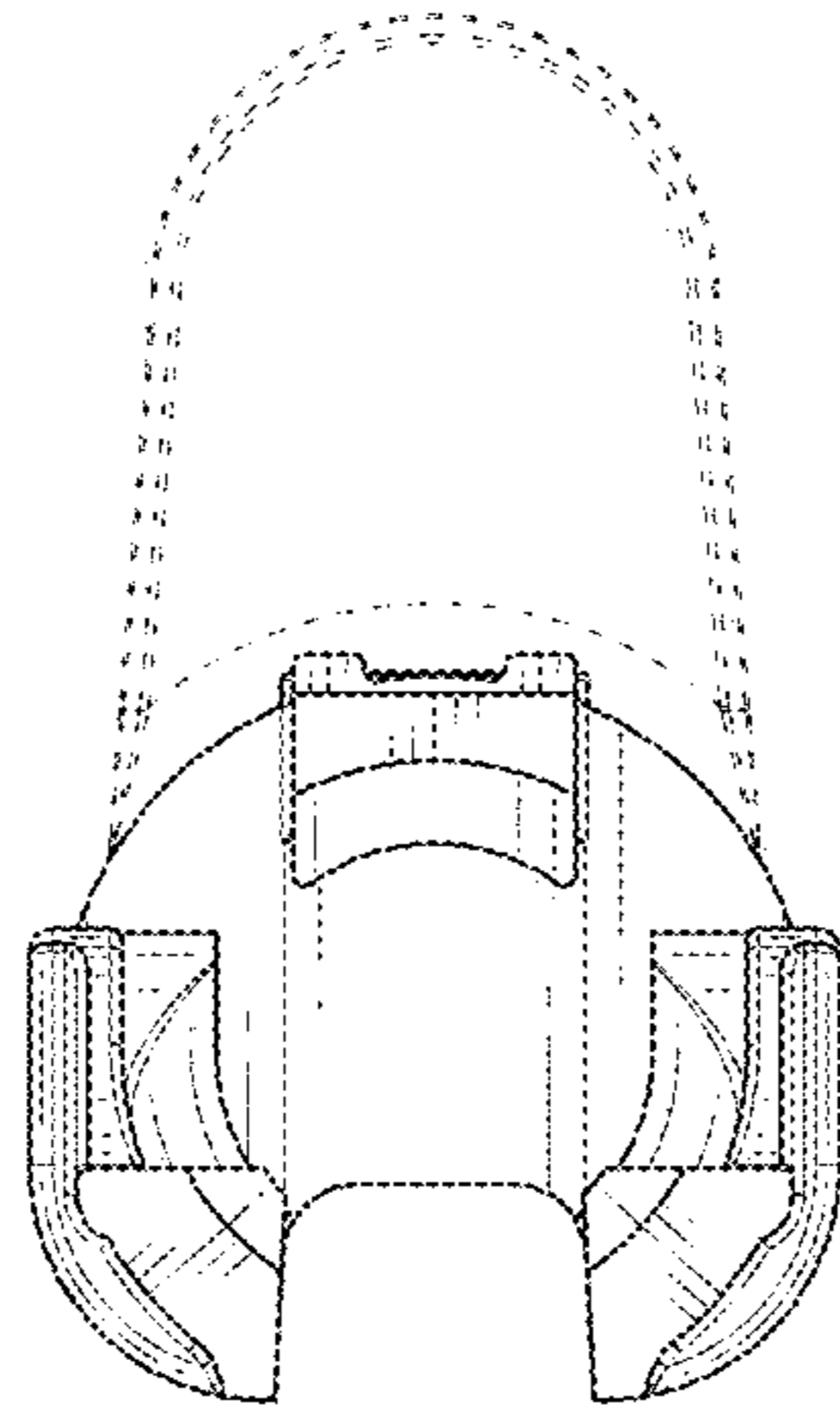


FIG. 7

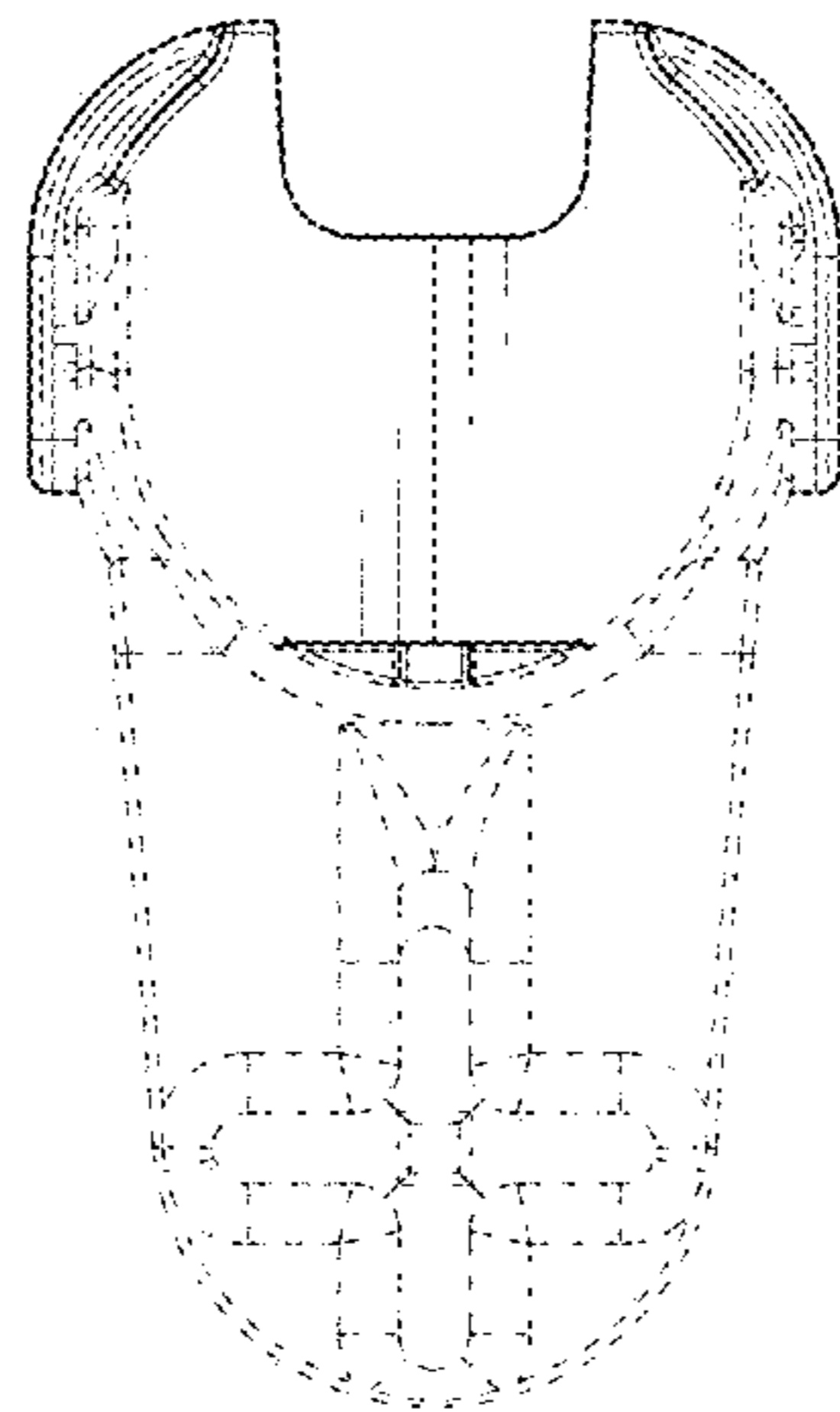


FIG. 8

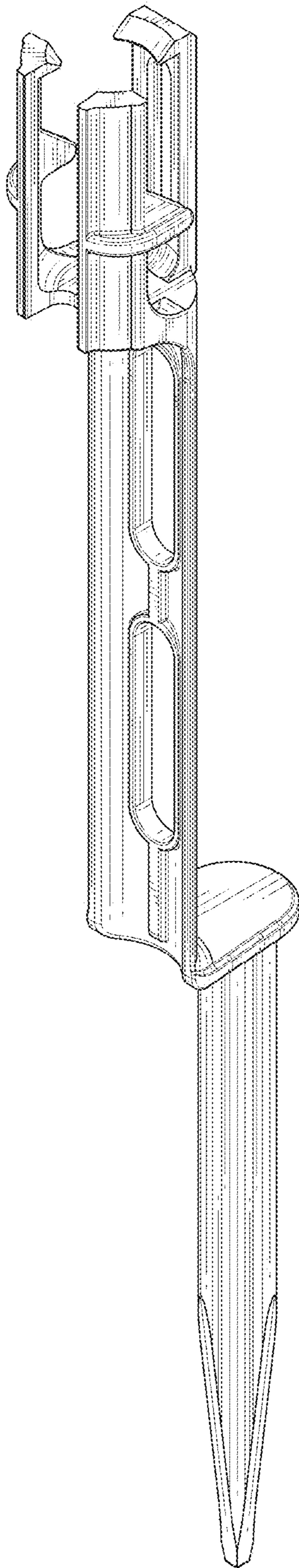


FIG. 9

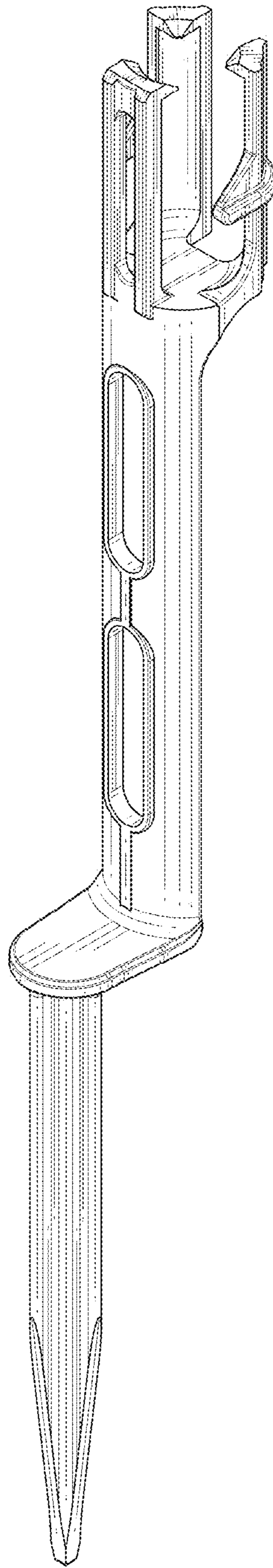


FIG. 10

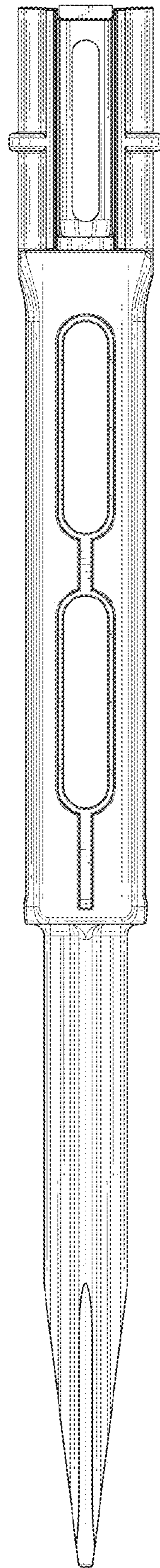


FIG. 11

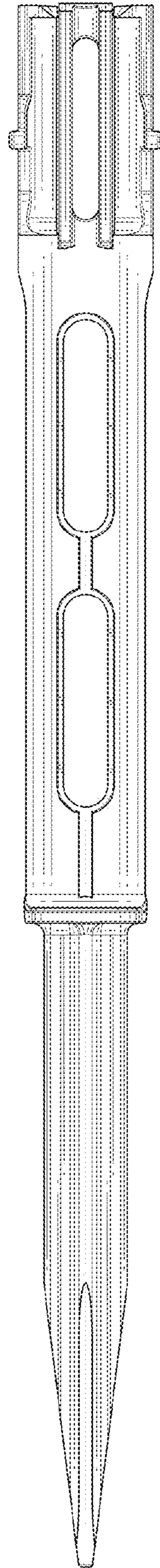


FIG. 12

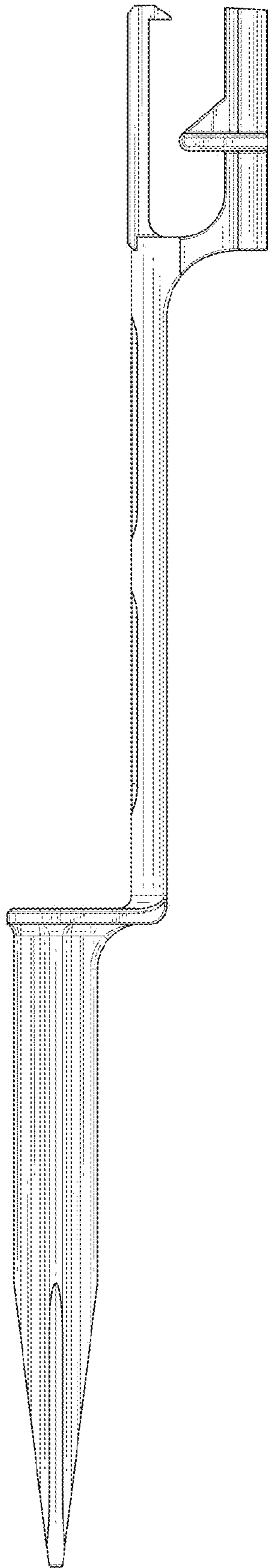


FIG. 13

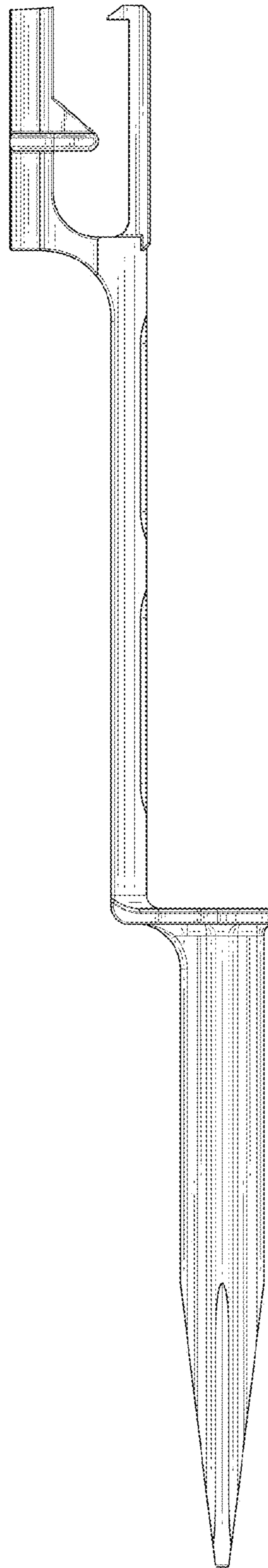


FIG. 14

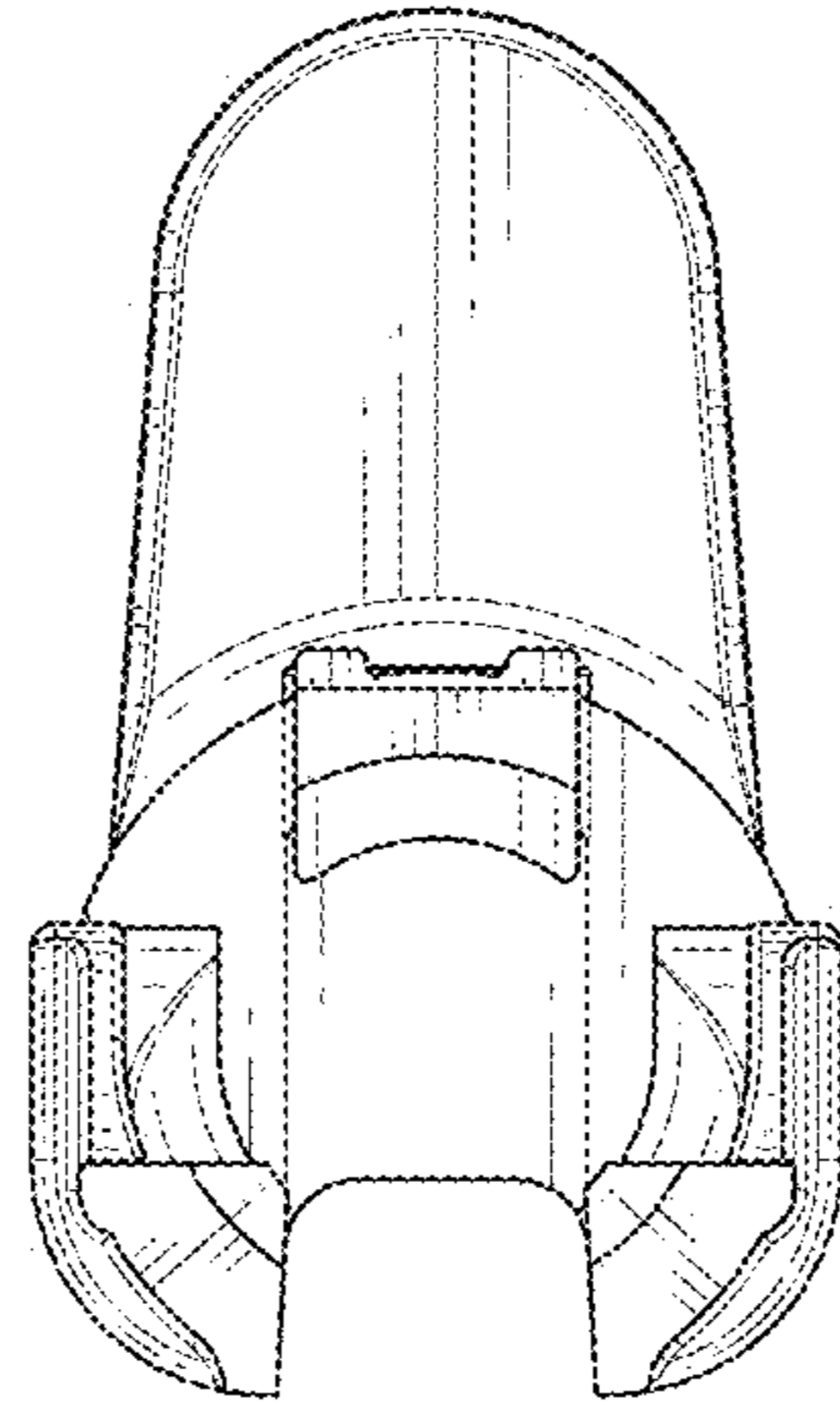


FIG. 15

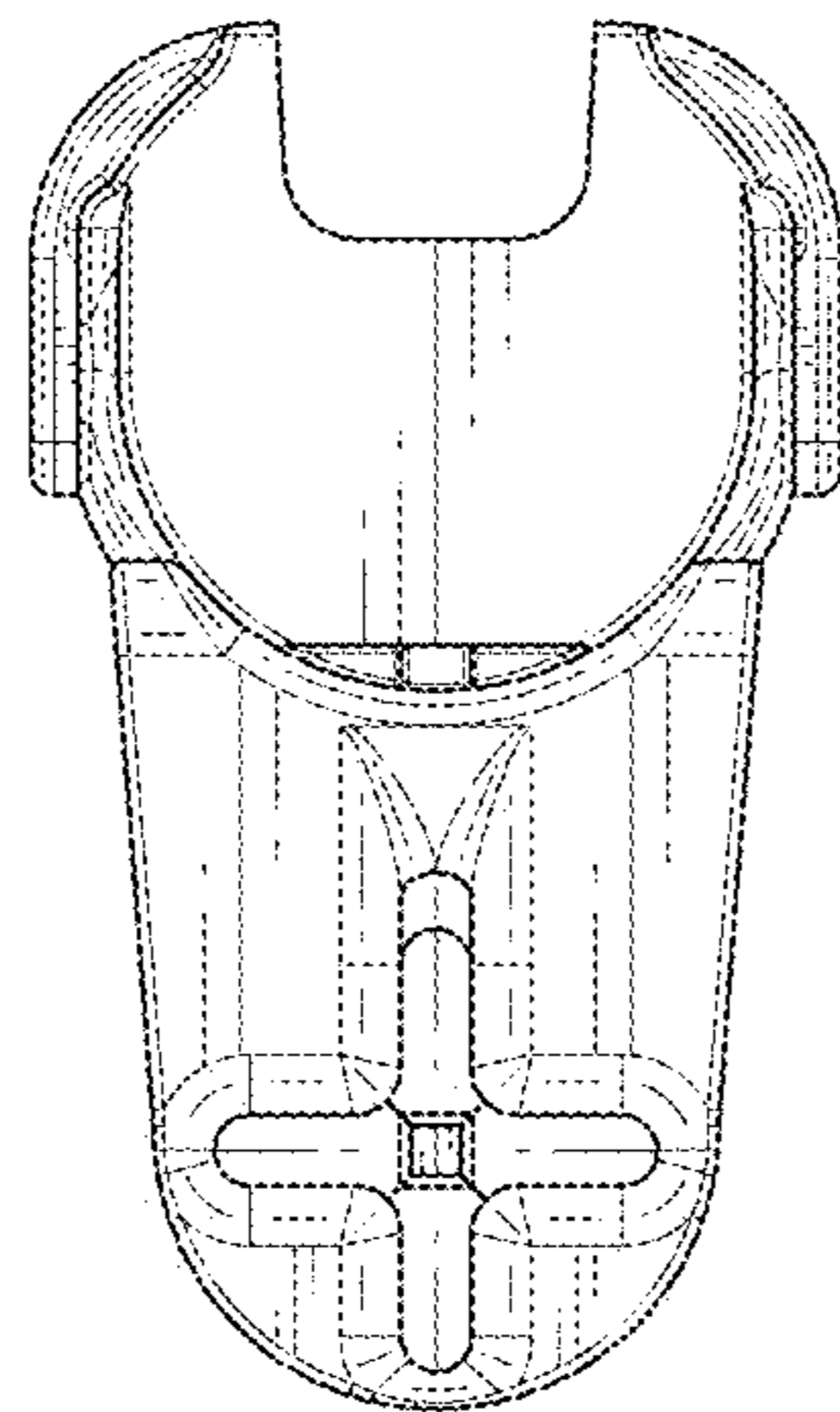


FIG. 16