



US0D1060249S

(12) **United States Design Patent** (10) **Patent No.: US D1,060,249 S**  
**De Jong et al.** (45) **Date of Patent: \*\* Feb. 4, 2025**

(54) **MULTIFIBER CONNECTOR FOR MAKING OPTICAL CONNECTIONS**

(71) Applicant: **Corning Research & Development Corporation**, Corning, NY (US)

(72) Inventors: **Michael De Jong**, Colleyville, TX (US); **Ashley Wesley Jones**, Denton, TX (US); **Gordon Mueller-Schlomka**, Berlin (DE); **Joel Christopher Rosson**, Hickory, NC (US)

(73) Assignee: **CORNING RESEARCH & DEVELOPMENT CORPORATION**, Corning, NY (US)

(\*\*) Term: **15 Years**

(21) Appl. No.: **29/805,721**

(22) Filed: **Aug. 30, 2021**

(51) **LOC (15) Cl.** ..... **13-03**

(52) **U.S. Cl.**  
USPC ..... **D13/133**

(58) **Field of Classification Search**  
USPC ..... D13/103, 107, 108, 110, 112, 118, 119, D13/133, 134, 145, 147, 149-157, 162, D13/182, 362; D14/139, 251, 252, 253, D14/358, 432, 433, 434, 447; D10/111, D10/114; D15/103-115, 320  
CPC . H01L 33/62; H01L 2924/0002; H01R 12/63; H01R 12/728; H01R 12/732; H01R 12/613; H01R 12/00; H01R 12/70; H01R 12/71; H01R 12/77; H01R 12/78; H01R 12/79; H01R 12/772; H01R 12/774; H01R 13/62; H01R 13/5812; H01R 24/00; H01R

(Continued)

(56) **References Cited**

U.S. PATENT DOCUMENTS

5,212,752 A 5/1993 Stephenson et al.  
5,315,679 A \* 5/1994 Baldwin ..... G02B 6/3869  
385/76

(Continued)

FOREIGN PATENT DOCUMENTS

CN 110608208 A 12/2019  
EP 3234672 A1 10/2017

(Continued)

OTHER PUBLICATIONS

Digital Optical Audio Cable Toslink Cable. Date: Jun. 27, 2019 [online], [Site visited Mar. 2, 2021], Available from Internet URL: <https://www.amazon.com/dp/B07TJMP4TP/> (Year: 2019).

(Continued)

*Primary Examiner* — Shawn T Gingrich

*Assistant Examiner* — Caleb M Baker

(74) *Attorney, Agent, or Firm* — Michael E. Carroll, Jr.

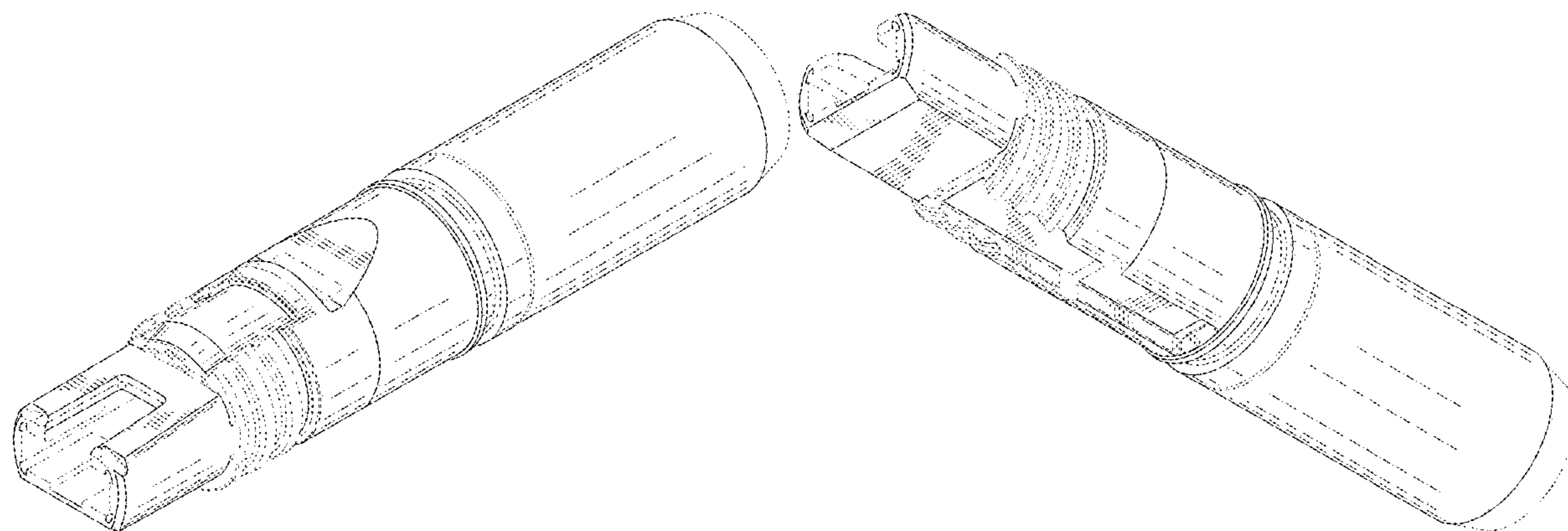
(57) **CLAIM**

The ornamental design for a multifiber connector for making optical connections as shown and described.

**DESCRIPTION**

FIG. 1 is a top perspective view of a first embodiment of a multifiber connector for making optical connections showing our new design; FIG. 2 is a bottom perspective view thereof of FIG. 1; FIG. 3 is a front view thereof of FIG. 1; FIG. 4 is a rear view thereof of FIG. 1; FIG. 5 is a left side view thereof of FIG. 1; FIG. 6 is a right side view thereof of FIG. 1; FIG. 7 is a top view thereof of FIG. 1; and, FIG. 8 is a bottom view thereof of FIG. 1. In FIGS. 1-8, the evenly-spaced broken lines in the drawings illustrate portions of the multifiber connector for making optical connections that form no part of the claimed design.

**1 Claim, 7 Drawing Sheets**



(58) **Field of Classification Search**

CPC ..... 12/592; H01R 13/6594; H01R 4/2433;  
 H01R 112/716; H01R 13/6461; H01R  
 13/506; H01R 13/639; H01R 13/5837;  
 H01R 13/16582; F21K 9/20; F21Y  
 2103/10; F21Y 2115/10; F21V 23/06;  
 H01M 10/46; H01M 10/425; H01M  
 2/1022; H02J 7/0044; H02J 7/045; H02J  
 7/0003; H02J 7/0013; H02J 7/0045; H02J  
 201/006; G02B 6/241; G02B 6/3817;  
 G02B 6/3893; G02B 6/406; G02B 6/42;  
 G02B 6/4246; G02B 6/4278

See application file for complete search history.

(56) **References Cited**

U.S. PATENT DOCUMENTS

|              |      |         |                  |                       |
|--------------|------|---------|------------------|-----------------------|
| 5,673,346    | A    | 9/1997  | Iwano et al.     |                       |
| D460,043     | S    | 7/2002  | Fan Wong         |                       |
| 6,918,704    | B2   | 7/2005  | Marrs et al.     |                       |
| 7,277,614    | B2   | 10/2007 | Cody et al.      |                       |
| D574,775     | S    | 8/2008  | Amidon           |                       |
| 7,572,065    | B2 * | 8/2009  | Lu .....         | G02B 6/3825<br>385/86 |
| 7,811,006    | B2   | 10/2010 | Milette et al.   |                       |
| D626,506     | S *  | 11/2010 | Giefers .....    | D13/133               |
| D711,320     | S    | 8/2014  | Yang et al.      |                       |
| D712,360     | S *  | 9/2014  | Su .....         | D13/147               |
| 9,081,154    | B2   | 7/2015  | Zimmel et al.    |                       |
| D741,803     | S    | 10/2015 | Davidson, Jr.    |                       |
| D749,519     | S *  | 2/2016  | Su .....         | D13/147               |
| D783,618     | S    | 4/2017  | Wu et al.        |                       |
| 9,910,224    | B2   | 3/2018  | Liu et al.       |                       |
| 10,288,821   | B2   | 5/2019  | Isenhour         |                       |
| 10,359,577   | B2 * | 7/2019  | Dannoux .....    | G02B 6/3841           |
| D880,423     | S    | 4/2020  | Obata et al.     |                       |
| D982,519     | S *  | 4/2023  | Gaidosch .....   | D13/133               |
| D1,041,419   | S *  | 9/2024  | Katagiyama ..... | D13/133               |
| 2005/0213897 | A1   | 9/2005  | Palmer et al.    |                       |
| 2008/0044137 | A1   | 2/2008  | Luther et al.    |                       |
| 2008/0175541 | A1   | 7/2008  | Lu et al.        |                       |
| 2010/0040338 | A1   | 2/2010  | Sek              |                       |
| 2010/0303416 | A1   | 12/2010 | Danley et al.    |                       |
| 2012/0057830 | A1   | 3/2012  | Taira et al.     |                       |
| 2013/0051734 | A1   | 2/2013  | Shen et al.      |                       |
| 2014/0044397 | A1   | 2/2014  | Hikosaka et al.  |                       |
| 2014/0079356 | A1   | 3/2014  | Pepin et al.     |                       |
| 2015/0286011 | A1   | 10/2015 | Nhep             |                       |

|              |      |         |                 |                       |
|--------------|------|---------|-----------------|-----------------------|
| 2016/0349458 | A1   | 12/2016 | Murray et al.   |                       |
| 2016/0356963 | A1   | 12/2016 | Liu et al.      |                       |
| 2017/0139158 | A1   | 5/2017  | Coenegracht     |                       |
| 2017/0307828 | A1 * | 10/2017 | Elenbaas .....  | G02B 6/3817           |
| 2018/0003902 | A1   | 1/2018  | Rosson et al.   |                       |
| 2018/0321448 | A1   | 11/2018 | Wu et al.       |                       |
| 2019/0004256 | A1   | 1/2019  | Rosson          |                       |
| 2019/0004258 | A1 * | 1/2019  | Dannoux .....   | G02B 6/3826           |
| 2019/0014987 | A1   | 1/2019  | Sasaki et al.   |                       |
| 2019/0033531 | A1   | 1/2019  | Taira et al.    |                       |
| 2019/0162914 | A1   | 5/2019  | Baca et al.     |                       |
| 2019/0258010 | A1   | 8/2019  | Anderson et al. |                       |
| 2019/0361177 | A1   | 11/2019 | Aoshima et al.  |                       |
| 2020/0124805 | A1   | 4/2020  | Rosson et al.   |                       |
| 2020/0150356 | A1   | 5/2020  | Lu              |                       |
| 2020/0174201 | A1   | 6/2020  | Cote et al.     |                       |
| 2020/0183097 | A1   | 6/2020  | Chang et al.    |                       |
| 2021/0288609 | A1 * | 9/2021  | Yan .....       | H01R 13/6273          |
| 2023/0095739 | A1 * | 3/2023  | Rosson .....    | G02B 6/3869<br>385/78 |
| 2023/0204868 | A1 * | 6/2023  | Baca .....      | G02B 6/3851<br>385/60 |

FOREIGN PATENT DOCUMENTS

|    |             |    |        |  |
|----|-------------|----|--------|--|
| GB | 6192781     | *  | 2/2022 |  |
| GB | 6192782     | *  | 2/2022 |  |
| GB | 6192783     | *  | 2/2022 |  |
| GB | 6192784     | *  | 2/2022 |  |
| WO | 2016/095213 | A1 | 6/2016 |  |

OTHER PUBLICATIONS

Gold Plated Toslink. Date: Feb. 5, 2015. [online], [Site visited Mar. 2, 2021], Available from Internet URL: <https://www.amazon.com/dp/B00T8HWV62/> (Year: 2015).

Optical connector. (Design—(Copyrights) Questel) orbit.com. [Online PDF compilation of references 20 pgs. Print Dates Range Mar. 9, 2003-May 25, 2015. [Retrieved Feb. 3, 2021] <https://www.orbit.com/export/UCZAH96B/pdf4/81c7766a-d250-4555-a8f1-3bdf9dc1bd6c-185304.pdf> (Year: 2021).

UPC Optic Fiber Quick Connector. Date: May 13, 2016 [online], [Site visited Mar. 2, 2021], Available from Internet URL: <https://www.amazon.com/dp/B01FLUV5DE/> (Year: 2016).

International Search Report and Written Opinion of the International Searching Authority; PCT/US2021/048139; dated Nov. 10, 2021; 15 pages; European Patent Office.

\* cited by examiner



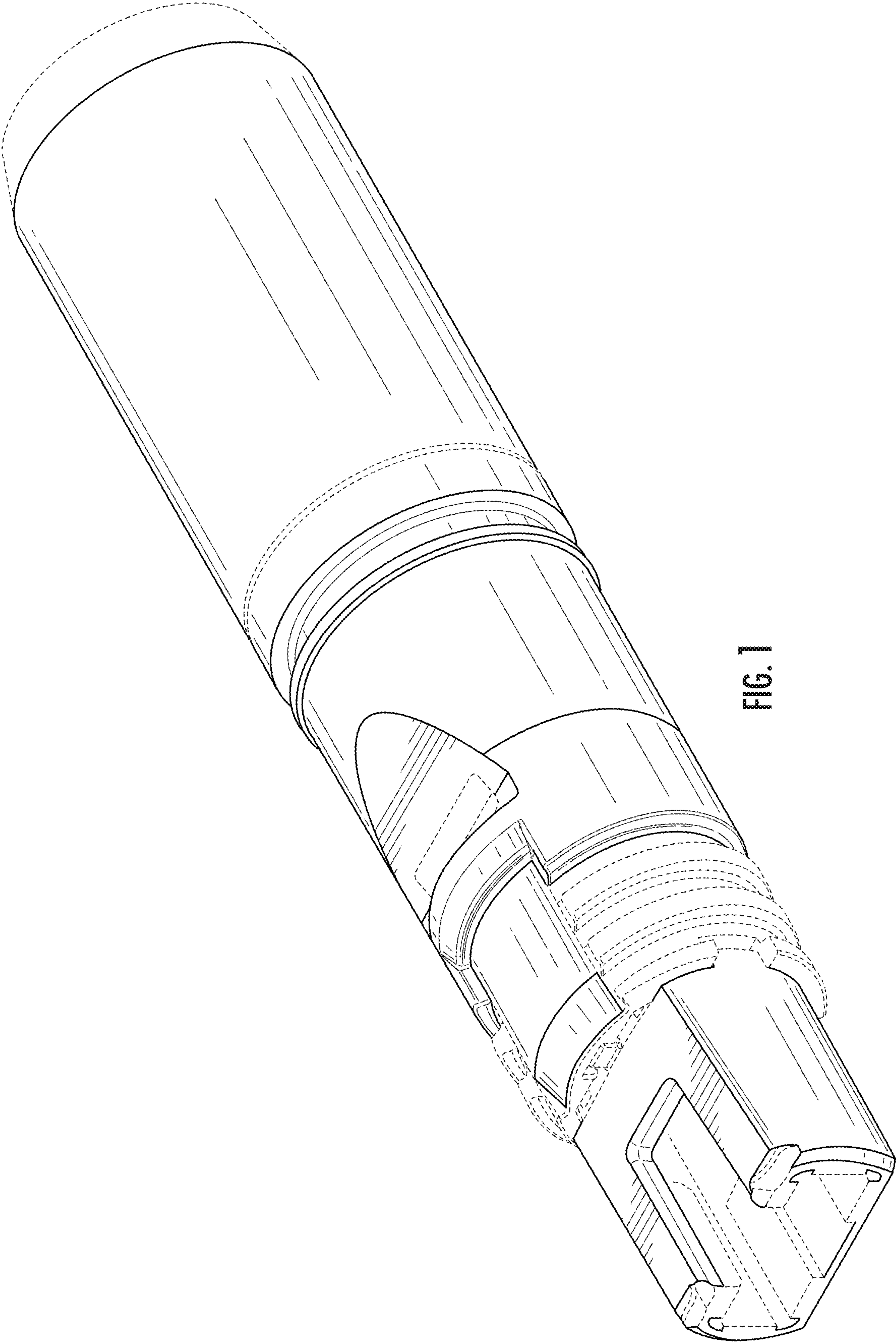


FIG. 1

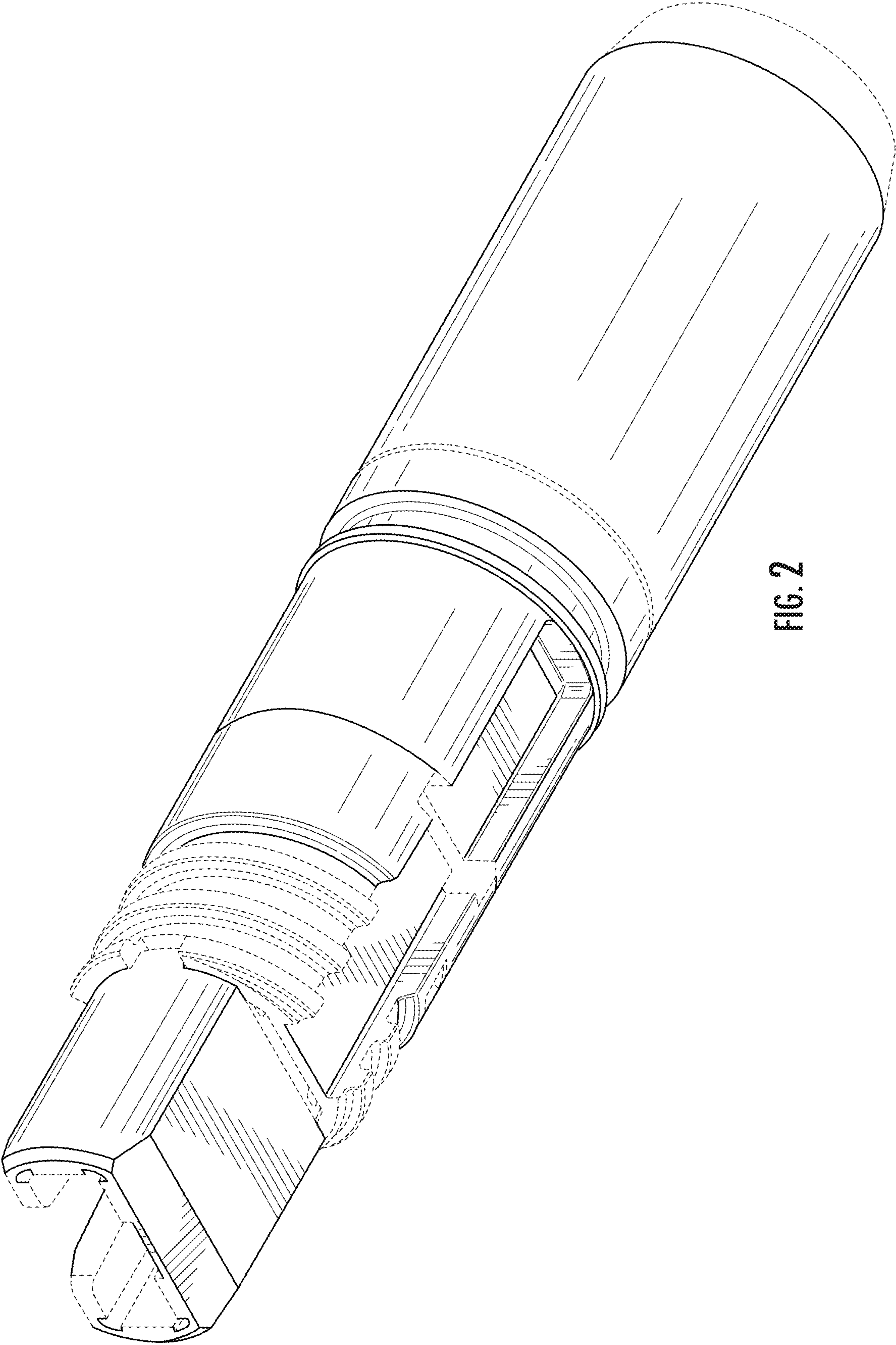


FIG. 2

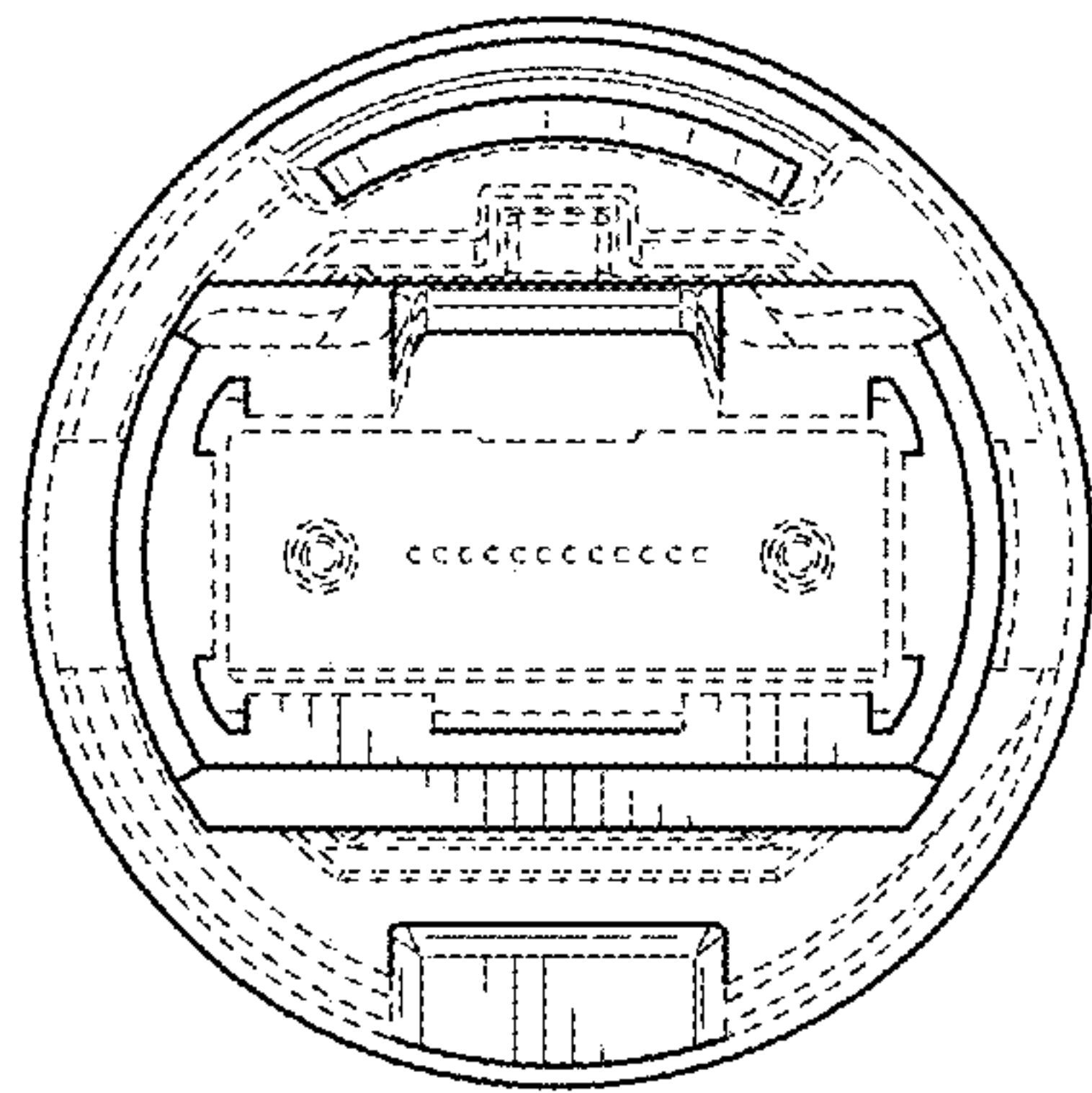


FIG. 3

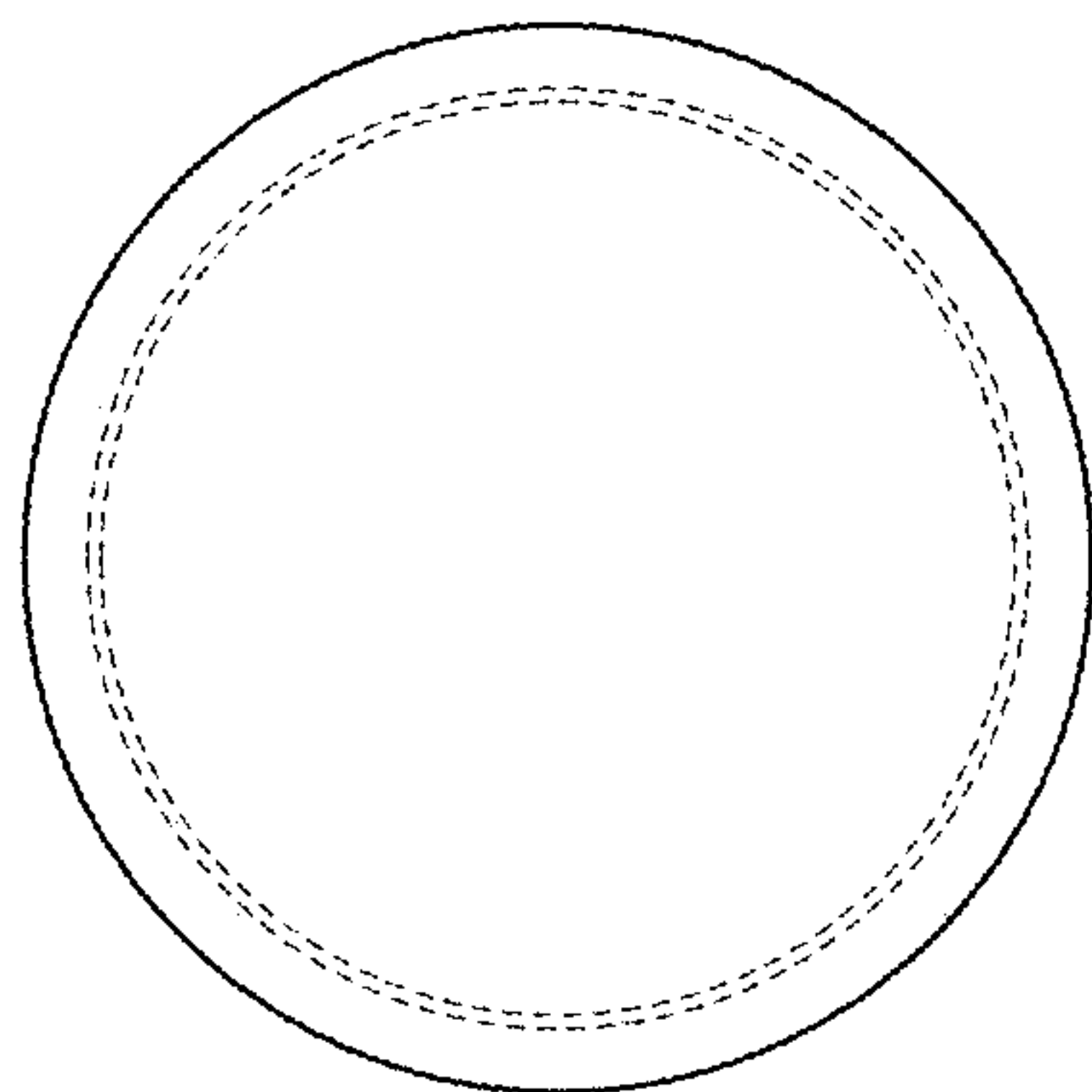


FIG. 4

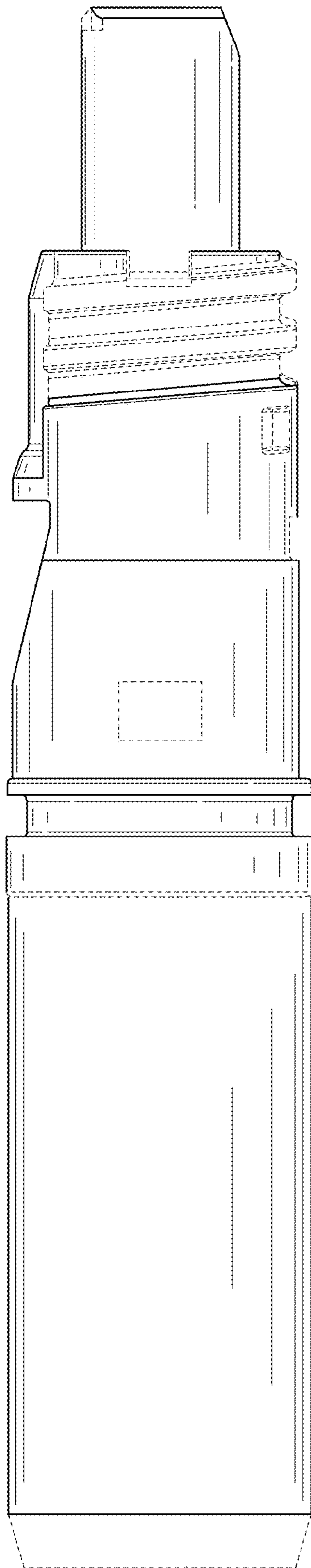


FIG. 5

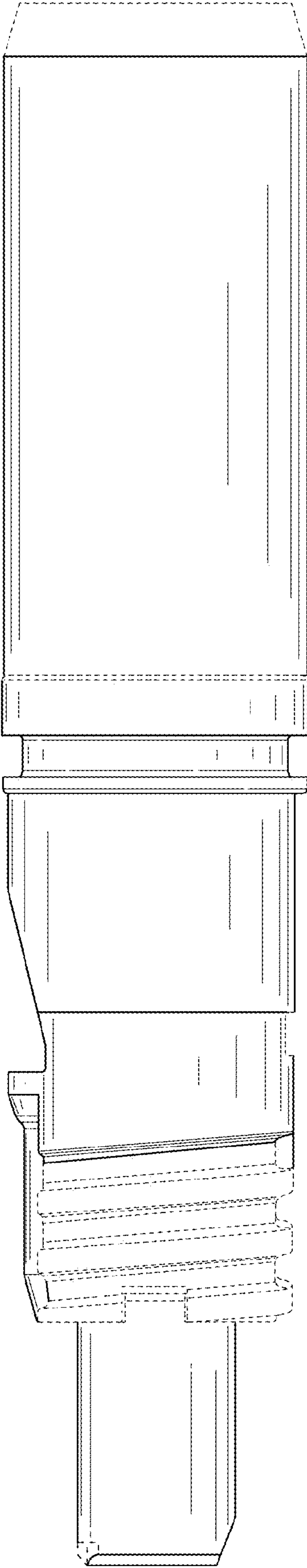


FIG. 6

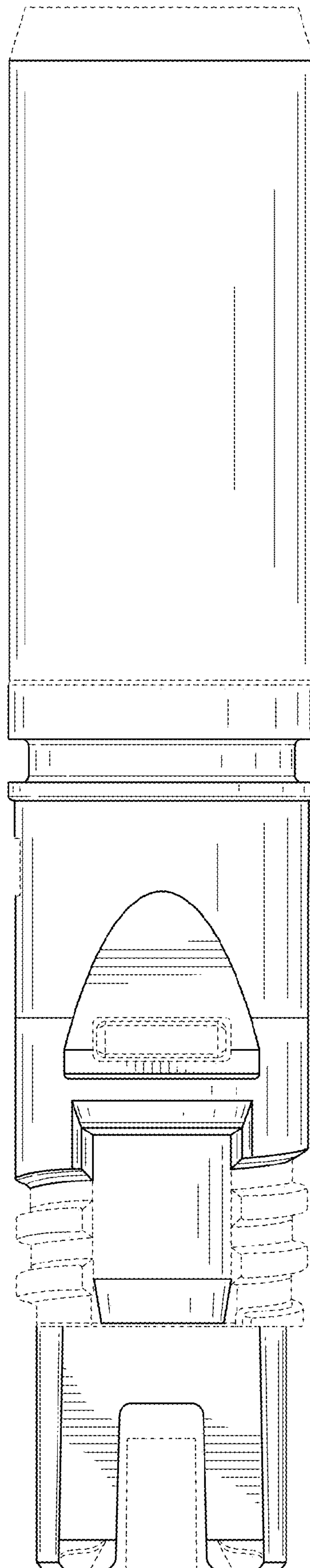


FIG. 7



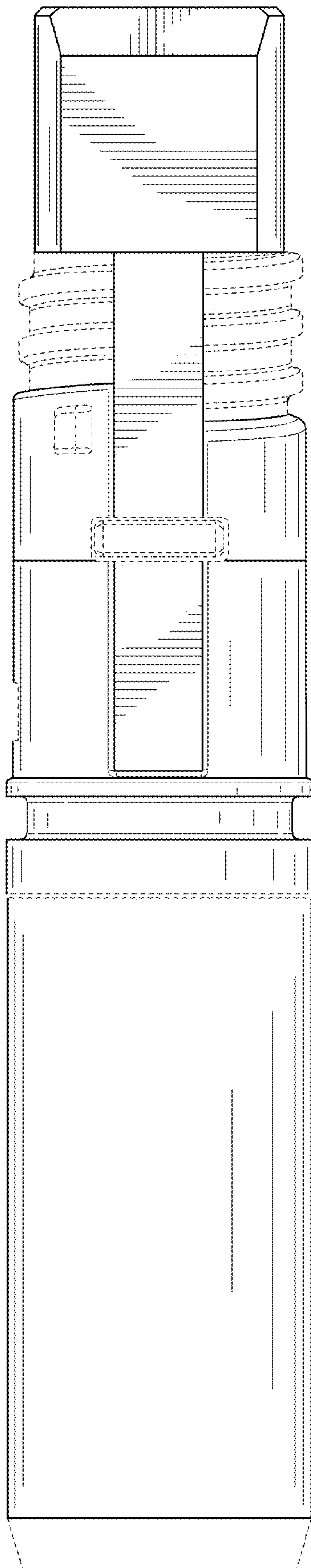


FIG. 8