



US0D1060186S

(12) **United States Design Patent** (10) **Patent No.:** **US D1,060,186 S**
Voss (45) **Date of Patent:** **** Feb. 4, 2025**

(54) **DOOR FOR A SIDE PANEL OF A VEHICLE CANOPY**

(71) Applicant: **Rock Solid Industries International (Pty) Ltd, Pietermaritzburgh (ZA)**

(72) Inventor: **Michael Voss, Aledo, TX (US)**

(73) Assignee: **Rock Solid Industries International (Pty) Ltd, Pietermaritzburgh (ZA)**

(**) Term: **15 Years**

(21) Appl. No.: **29/896,833**

(22) Filed: **Jul. 7, 2023**

Related U.S. Application Data

(63) Continuation of application No. 29/773,561, filed on Mar. 10, 2021, now Pat. No. Des. 1,018,430.

(30) **Foreign Application Priority Data**

Sep. 10, 2020 (ZA) A2020/01224

(51) **LOC (15) Cl.** **12-16**

(52) **U.S. Cl.**
USPC **D12/401**

(58) **Field of Classification Search**
USPC D3/323; D6/631, 661, 663, 671;
D12/111, 401, 400, 403, 404, 406, 407,
D12/408, 412, 414
CPC B60J 7/1607; B60H 3/0641; B60R 9/058
See application file for complete search history.

(56) **References Cited**

U.S. PATENT DOCUMENTS

D334,453 S 3/1993 Koloski
D732,321 S 6/2015 Choi
D773,377 S 12/2016 Choi
D907,563 S 1/2021 Shi
D909,950 S 2/2021 Johnson

D924,120 S 7/2021 Voss
D930,551 S 9/2021 Suckling
D932,417 S 10/2021 Voss
D961,490 S * 8/2022 Voss D12/404
D961,491 S * 8/2022 Voss D12/404
D964,253 S * 9/2022 Voss D12/404
D969,058 S * 11/2022 Voss D12/404
D998,534 S * 9/2023 Voss D12/412

(Continued)

OTHER PUBLICATIONS

U.S. Appl. No. 29/681,185, filed Feb. 22, 2019 “Modular Flat Deck, Skirting, And Canopy For A Vehicle, Truck, Or The Like”.

(Continued)

Primary Examiner — Susan E Krakower

Assistant Examiner — Jerry Shiuan-Hua Hsu

(74) *Attorney, Agent, or Firm* — K&L Gates LLP

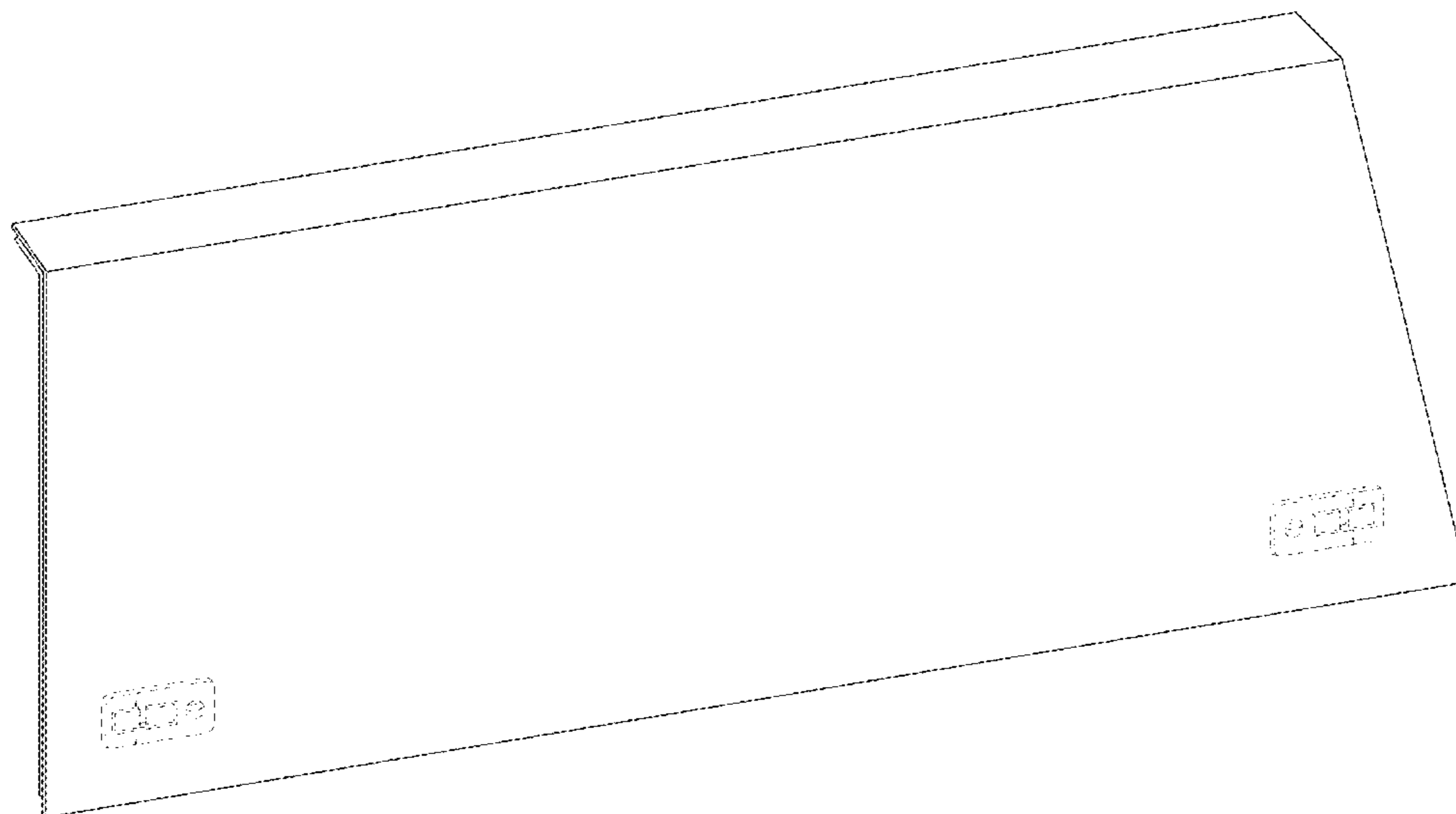
(57) **CLAIM**

The ornamental design for a door for a side panel of a vehicle canopy as shown and described.

DESCRIPTION

FIG. 1 is a front, right perspective view of a door for a side panel of a vehicle canopy, showing my new design;
FIG. 2 is a rear left perspective view thereof;
FIG. 3 is a rear elevation view thereof;
FIG. 4 is a front elevation view thereof;
FIG. 5 is a left side elevation view thereof;
FIG. 6 is a front, left perspective view thereof, shown in a closed position of use; and,
FIG. 7 is a front, left perspective view thereof, shown in an open position of use.
The broken lines illustrating a canopy in FIGS. 6 and 7 depict environmental structure that forms no part of the claimed design. The broken lines on the door show portions of the door for a side panel of a vehicle canopy which form no part of the claimed design.

1 Claim, 7 Drawing Sheets



(56)

References Cited

U.S. PATENT DOCUMENTS

D1,015,989 S * 2/2024 Voss D12/404
D1,015,991 S * 2/2024 Voss D12/404
D1,017,516 S * 3/2024 Voss D12/404
D1,018,430 S * 3/2024 Voss D12/401
D1,028,851 S * 5/2024 Zou D12/412
D1,040,730 S * 9/2024 Watts D12/404
2020/0398644 A1 12/2020 Voss
2021/0129643 A1 5/2021 Voss
2024/0278730 A1* 8/2024 Voss B60R 9/058

OTHER PUBLICATIONS

U.S. Appl. No. 29/681,255, filed Feb. 22, 2019 “Canopy For A Vehicle, Truck, Or The Like And Components And Accessories Related Thereto”.
U.S. Appl. No. 29/681,188, filed Feb. 22, 2019 “Canopy For A Vehicle, Truck, Or The Like”.
U.S. Appl. No. 29/707,698, filed Sep. 30, 2019 “Canopy For A Vehicle, Truck, Light Delivery Vehicle or Similar Vehicle”.
U.S. Appl. No. 29/707,700, filed Sep. 30, 2019 “Canopy For A Vehicle, Truck, Light Delivery Vehicle or Similar Vehicle”.
U.S. Appl. No. 29/707,699, filed Sep. 30, 2019 “Canopy For A Vehicle, Truck, Light Delivery Vehicle or Similar Vehicle”.
U.S. Appl. No. 29/724,879, filed Feb. 20, 2020 “Canopy For A Vehicle, Truck, Light Delivery Vehicle or Similar Vehicle”.
U.S. Appl. No. 29/738,788, filed Jun. 19, 2020, “Canopy For A Vehicle, Truck, Light Delivery Vehicle or Similar Vehicle”.

* cited by examiner

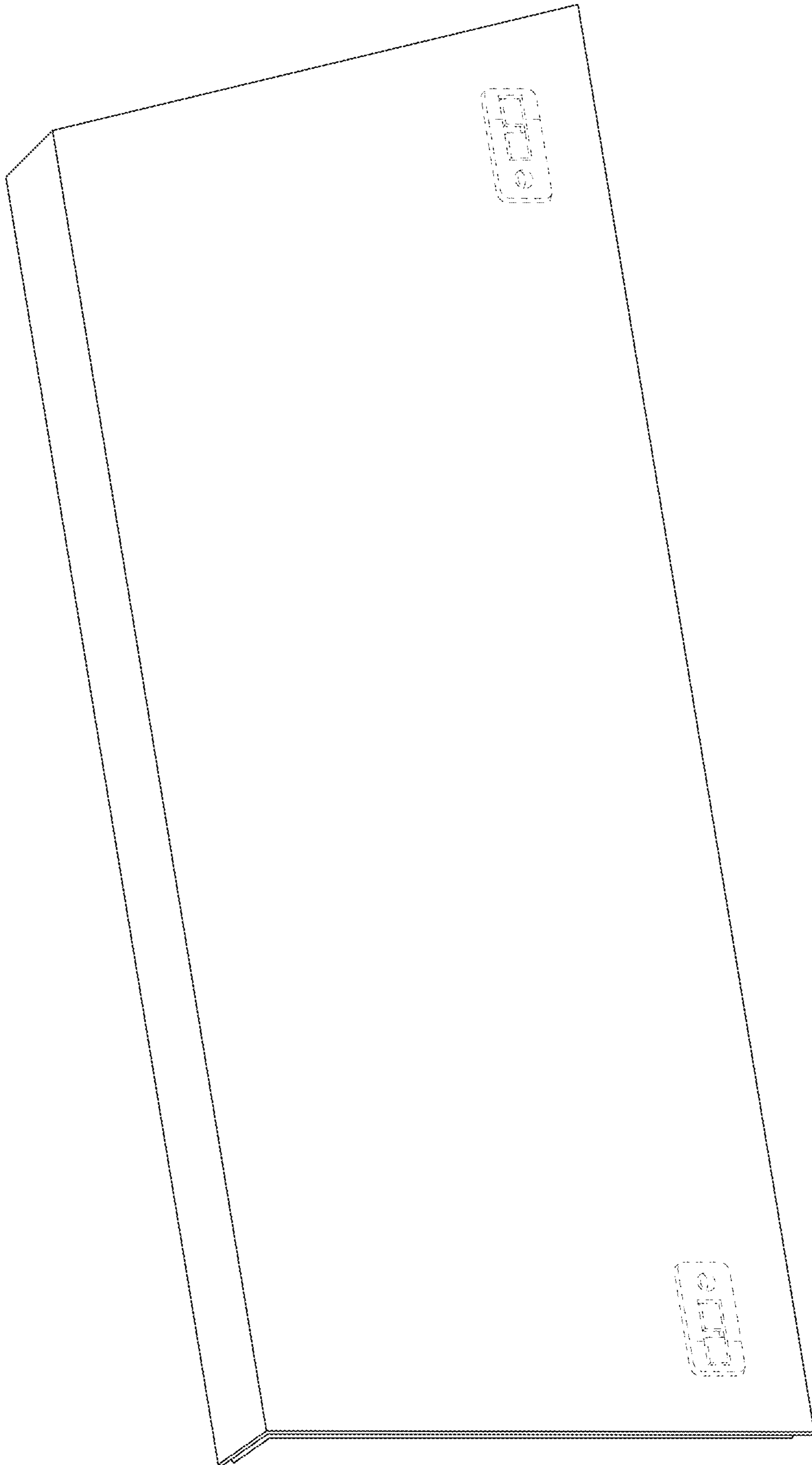


FIG. 1

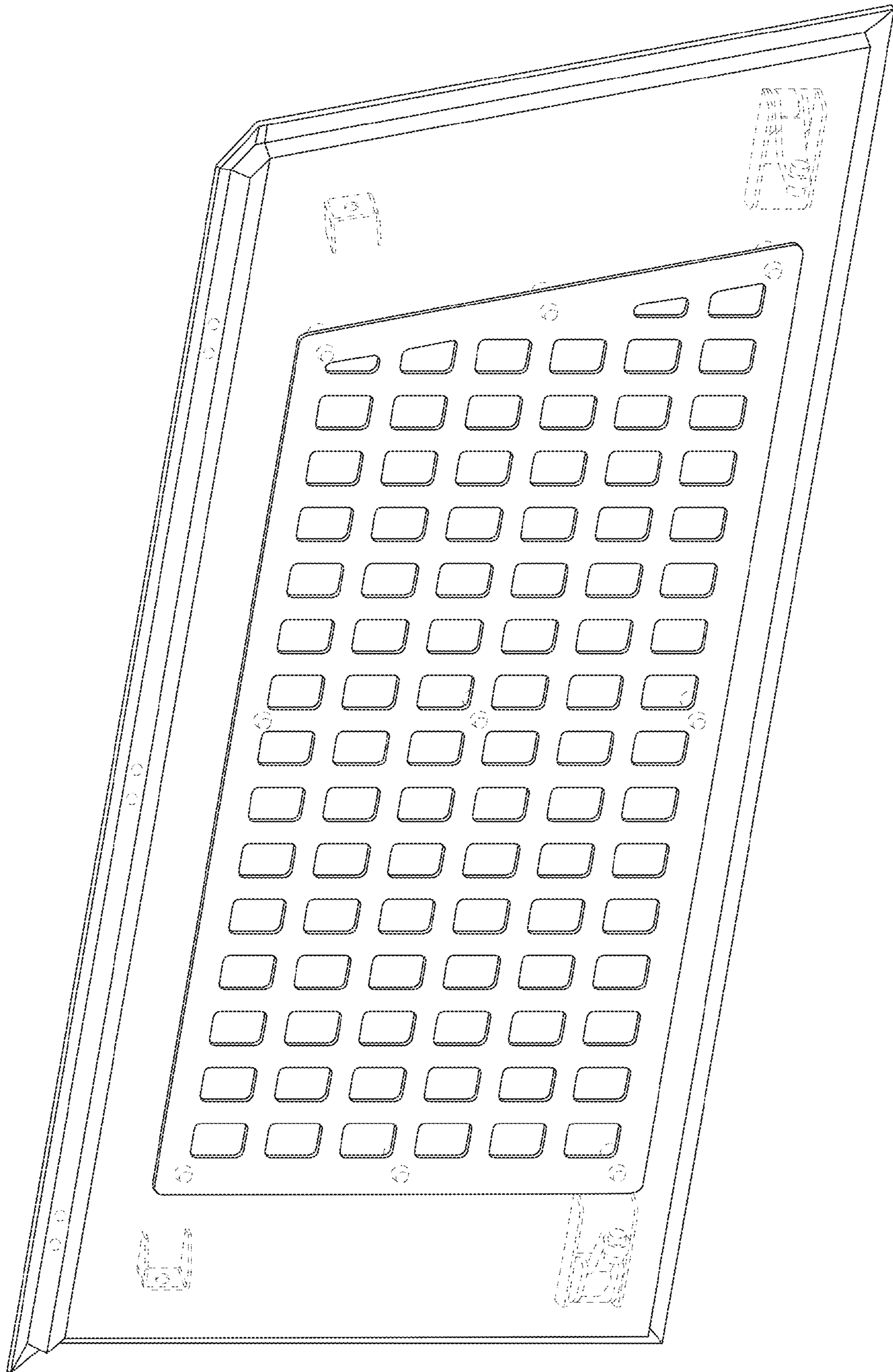


FIG. 2

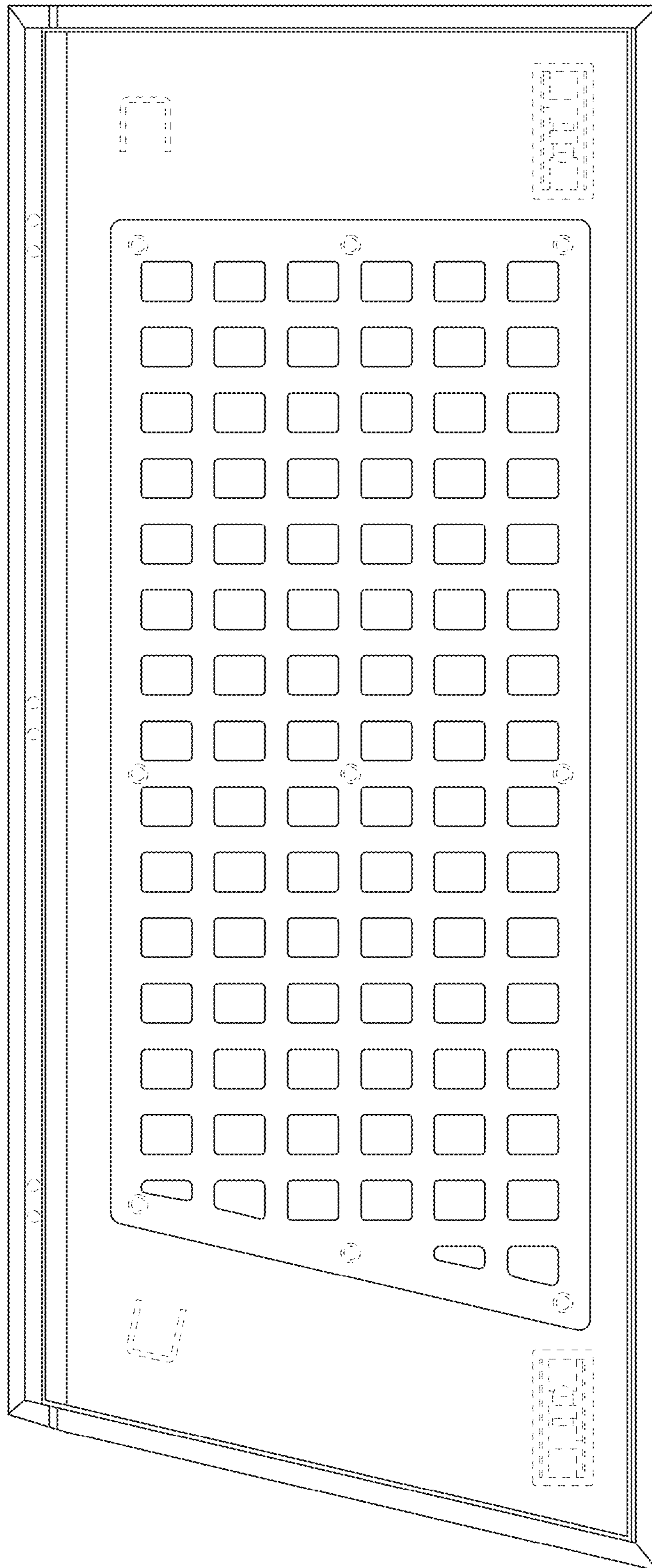


FIG. 3

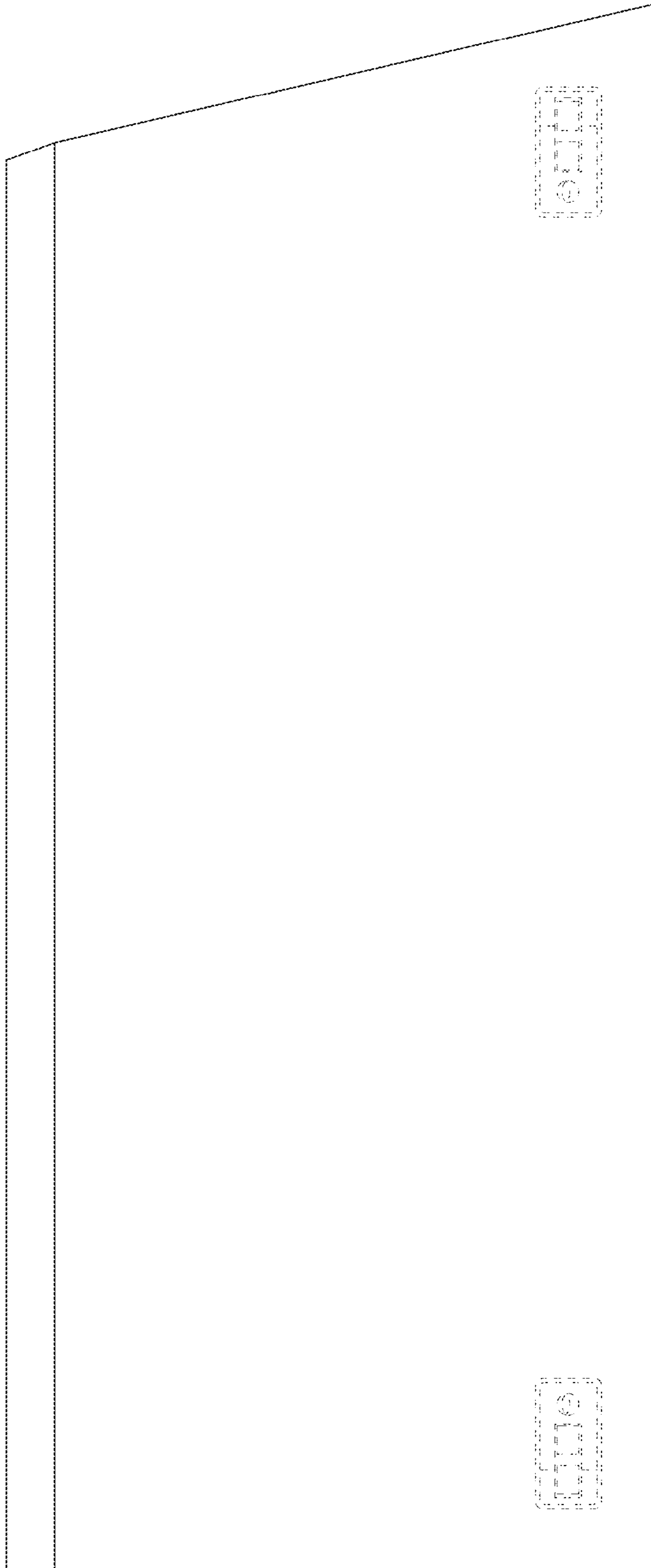


FIG. 4

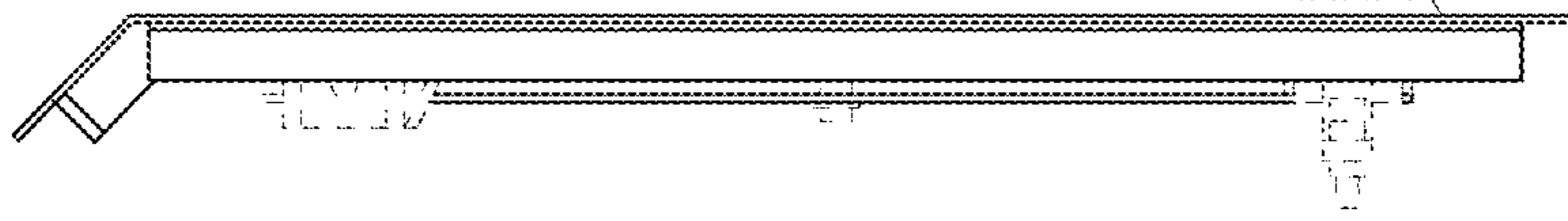


FIG. 5

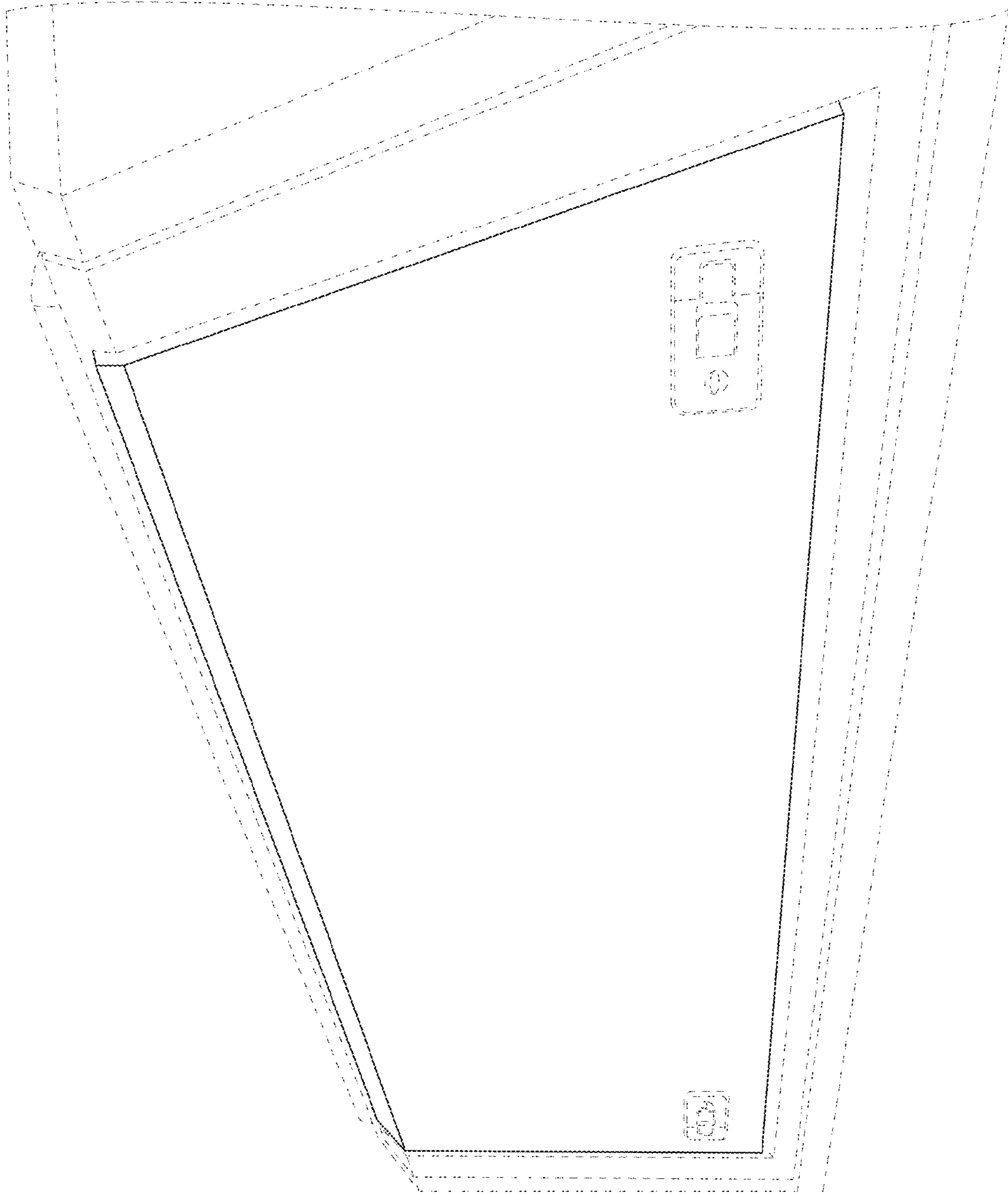


FIG. 6

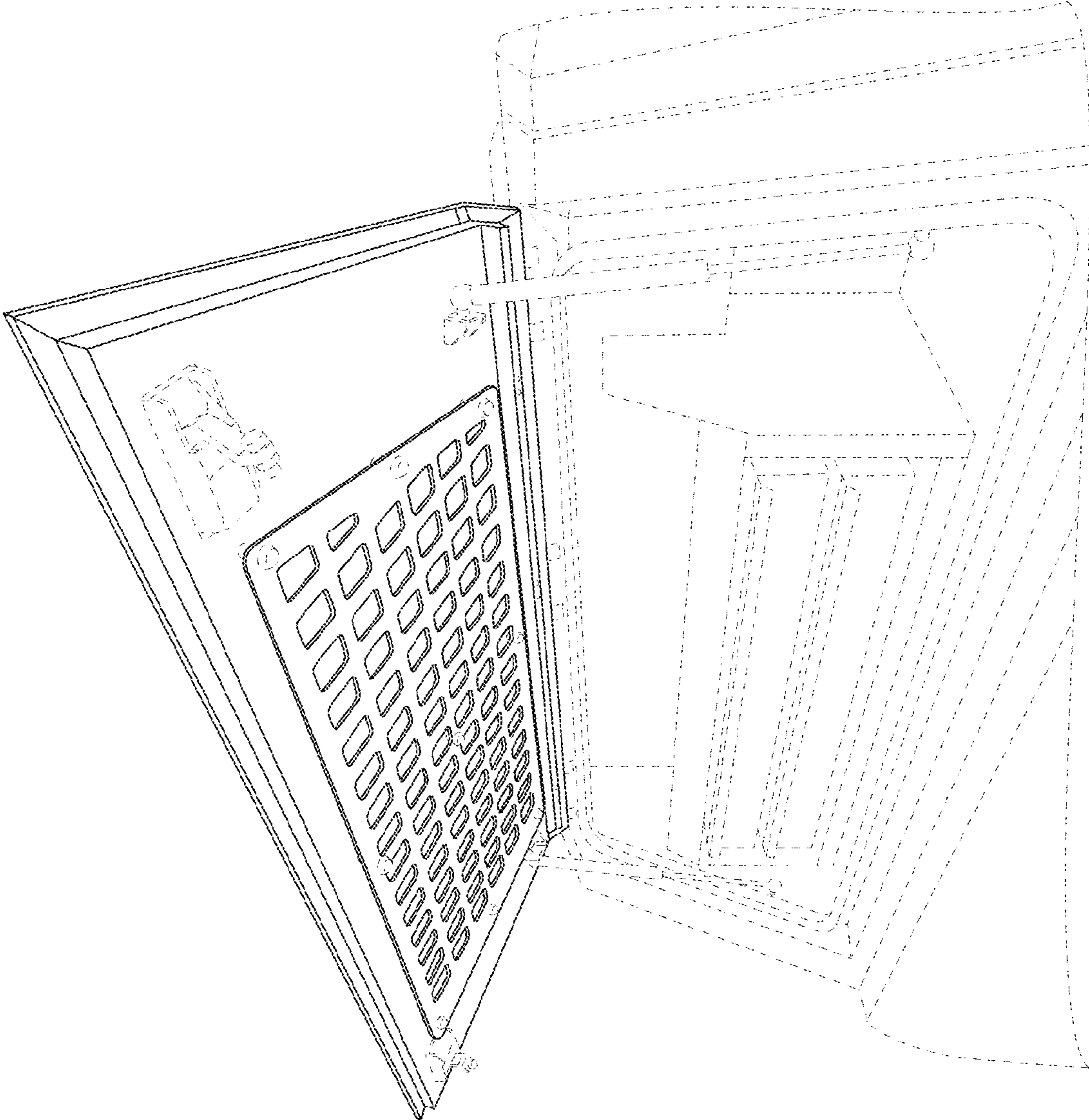


FIG. 7