



US0D1060183S

(12) **United States Design Patent** (10) **Patent No.:** **US D1,060,183 S**
Echazabal et al. (45) **Date of Patent:** **** Feb. 4, 2025**

(54) **VEHICLE WHEEL**

(71) Applicant: **Toyota Motor North America, Inc.**,
Plano, TX (US)

(72) Inventors: **Alberto Echazabal**, Prosper, TX (US);
Jakin C. Wilson, Prosper, TX (US)

(73) Assignee: **Toyota Motor North America, Inc.**,
Plano, TX (US)

(**) Term: **15 Years**

(21) Appl. No.: **29/892,536**

(22) Filed: **May 18, 2023**

(51) **LOC (15) Cl.** **12-16**

(52) **U.S. Cl.**
USPC **D12/209**

(58) **Field of Classification Search**
USPC D12/204, 205, 206, 207, 208, 209–213;
D15/10, 33; D21/561, 563
CPC B60B 1/00; B60B 1/08; B60B 1/10; B60B
1/12; B60B 3/02; B60B 3/04; B60B 3/06;
B60B 3/10; B60B 7/00; B60B 7/01;
B60B 7/02; B60B 7/04
See application file for complete search history.

(56) **References Cited**

U.S. PATENT DOCUMENTS

D395,031 S	6/1998	Timm
D402,952 S	12/1998	Sycha
D453,492 S	2/2002	Laengerer
D475,336 S	6/2003	Larson
D495,649 S	9/2004	Schell et al.
D496,623 S	9/2004	Elmitt
D526,265 S	8/2006	Muzzarelli
D541,205 S	4/2007	Plumer et al.
D548,665 S	8/2007	Sanschagrín et al.
D554,035 S	10/2007	Groom
D572,185 S	7/2008	Pollmann

D579,397 S	10/2008	Osborne
D580,335 S	11/2008	Choi et al.
D581,338 S	11/2008	Imai
D586,715 S	2/2009	Cortes
D589,427 S	3/2009	Scheu
D625,238 S	10/2010	Zhao
D628,135 S	11/2010	Zhao
D629,732 S	12/2010	Tirado
D644,587 S	9/2011	Gotschke
D656,448 S	3/2012	Zhao

(Continued)

OTHER PUBLICATIONS

Toyota Genuine 17_ Bronze TRD PRO Wheel Set, posted Aug. 28, 2020 [online], [retrieved Sep. 17, 2024]. Retrieved from internet, <https://www.amazon.com/TOYOTA-Genuine-Bronze-PTR20-35110-F5-PT076-60200-02/dp/B08GYNMNML> (Year: 2020).*

(Continued)

Primary Examiner — Darlington Ly

Assistant Examiner — Jeremy Koenig

(74) *Attorney, Agent, or Firm* — Dinsmore & Shohl LLP

(57) **CLAIM**

The ornamental design for a vehicle wheel as shown and described.

DESCRIPTION

FIG. 1 is a front perspective view of a vehicle wheel illustrating our new design;

FIG. 2 is a rear perspective view thereof;

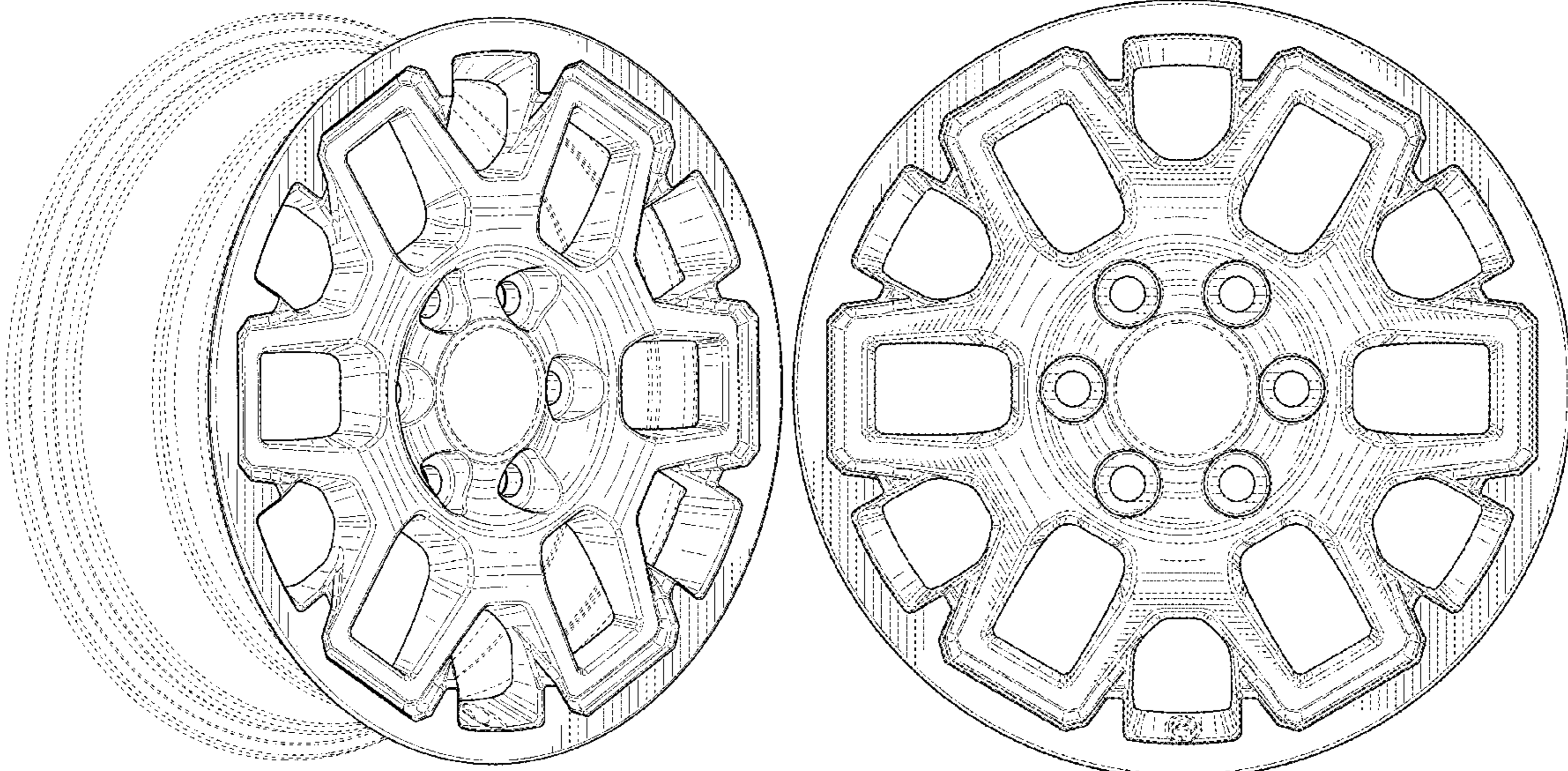
FIG. 3 is a front elevation view thereof;

FIG. 4 is a rear elevation view thereof; and,

FIG. 5 is a side elevation view thereof.

The broken lines in the drawings illustrate portions of the vehicle wheel that form no part of the claimed design. The dot-dashed lines are included for the purpose of illustrating boundary lines and form no part of the claimed design.

1 Claim, 5 Drawing Sheets



(56)

References Cited

U.S. PATENT DOCUMENTS

D670,227 S 11/2012 Chung
 D687,756 S 8/2013 Campbell et al.
 D688,187 S 8/2013 McMath
 D706,198 S 6/2014 Chung
 D712,330 S 9/2014 Chung
 D731,946 S 6/2015 Chung
 D733,027 S 6/2015 Chung
 D734,702 S 7/2015 Hale
 D750,004 S 2/2016 Chung
 D758,948 S 6/2016 Trpinac
 D765,002 S 8/2016 Hoste et al.
 D767,468 S 9/2016 Stone et al.
 D781,199 S * 3/2017 Dionisopoulos D12/209
 D783,496 S * 4/2017 Glover D12/209
 D786,165 S 5/2017 Hale, Jr.
 D787,405 S 5/2017 Nakamura
 D787,406 S 5/2017 Piscitelli et al.
 D791,036 S 7/2017 Owens et al.
 D791,037 S * 7/2017 Macey D12/209
 D792,827 S 7/2017 Chung
 D799,399 S 10/2017 Chung
 D800,044 S 10/2017 Ghobrial et al.
 D817,846 S 5/2018 Stone et al.
 D835,024 S 12/2018 Han
 D847,070 S * 4/2019 Grewer D12/209
 D849,660 S 5/2019 Ranum
 D854,487 S 7/2019 Hale

D876,309 S 2/2020 Echazabal
 D885,284 S 5/2020 Han
 D885,297 S 5/2020 Hale
 D889,360 S 7/2020 Ninov et al.
 D906,928 S 1/2021 Ma
 D908,580 S 1/2021 Mukti
 D919,540 S 5/2021 Kangas et al.
 D922,290 S * 6/2021 Kaoud D12/209
 D935,973 S * 11/2021 Kangas D12/209
 D944,706 S * 3/2022 Echazabal D12/209
 D944,707 S 3/2022 Echazabal et al.
 D970,421 S * 11/2022 Zhang D12/211
 D971,114 S * 11/2022 Arias D12/209
 D981,313 S * 3/2023 Carbis D12/209
 D987,517 S * 5/2023 Echazabal D12/209
 D1,015,981 S * 2/2024 Baaske D12/204
 D1,015,982 S * 2/2024 Kraljevic D12/204
 D1,018,415 S * 3/2024 Badstuebner D12/209
 D1,034,388 S * 7/2024 Echazabal D12/209

OTHER PUBLICATIONS

Toyota Wheels F086 20x9 6x139.7 Matte Black fit 4Runner FJ Cruiser Seq, posted date unknown [online], [retrieved Sep. 17, 2024]. Retrieved from internet, <https://wheelplususa.com/products/toyota-wheels-f086-20-9-6-139-7-matte-black-fit-4runner-fj-cruiser-sequoia-tacoma-trd-style> (Year: 2024).*

* cited by examiner

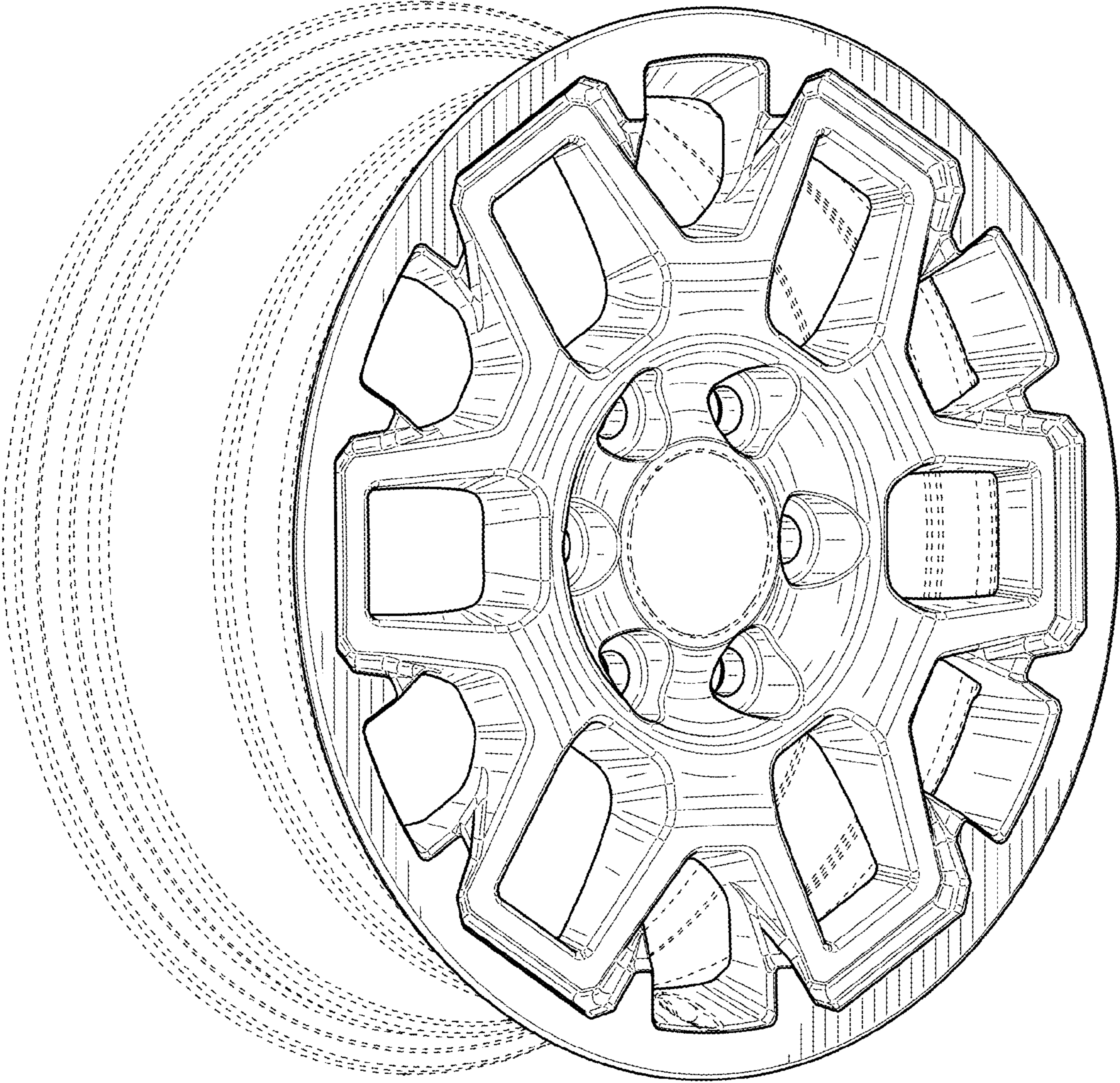


FIG. 1

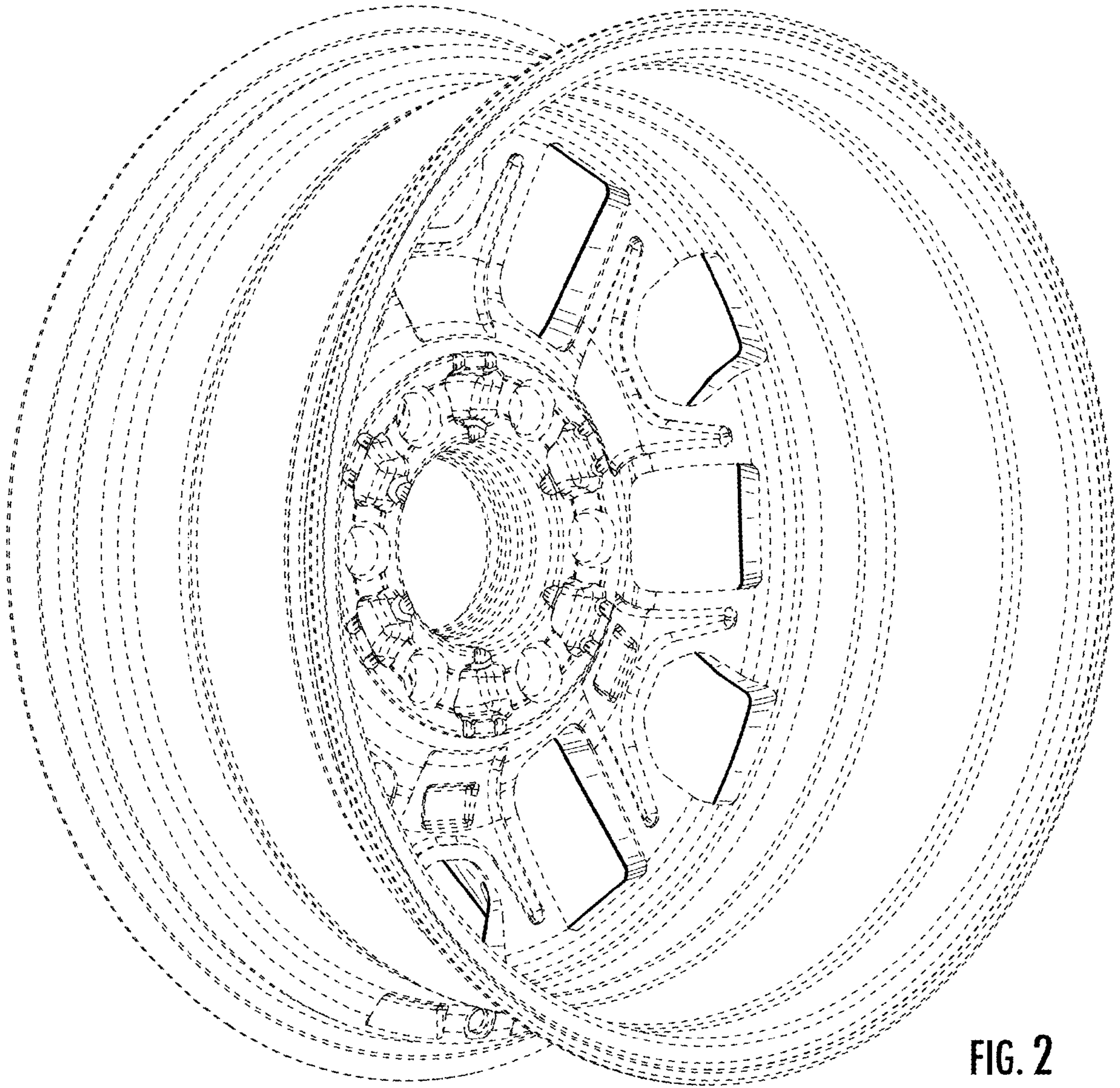


FIG. 2

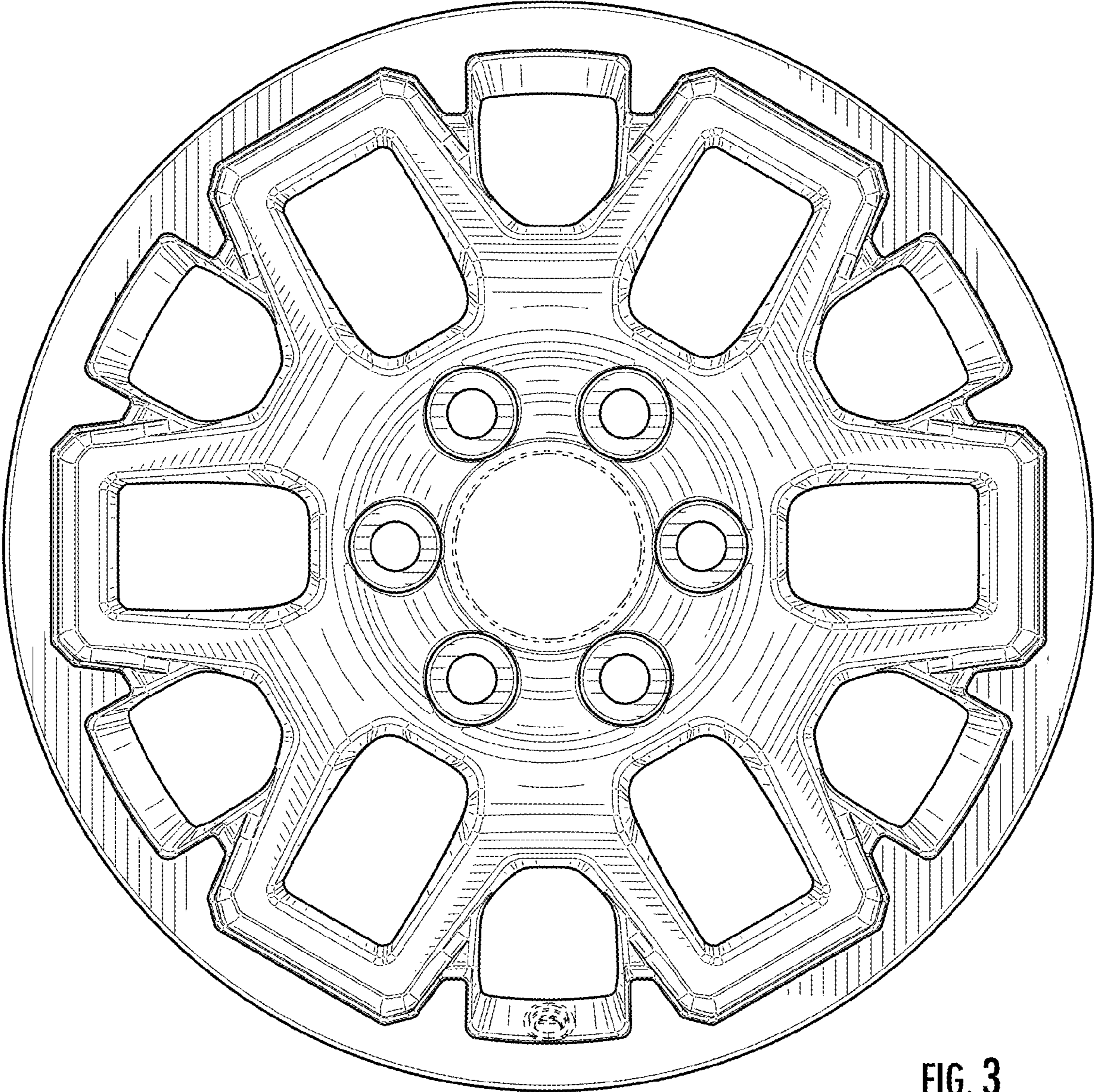


FIG. 3

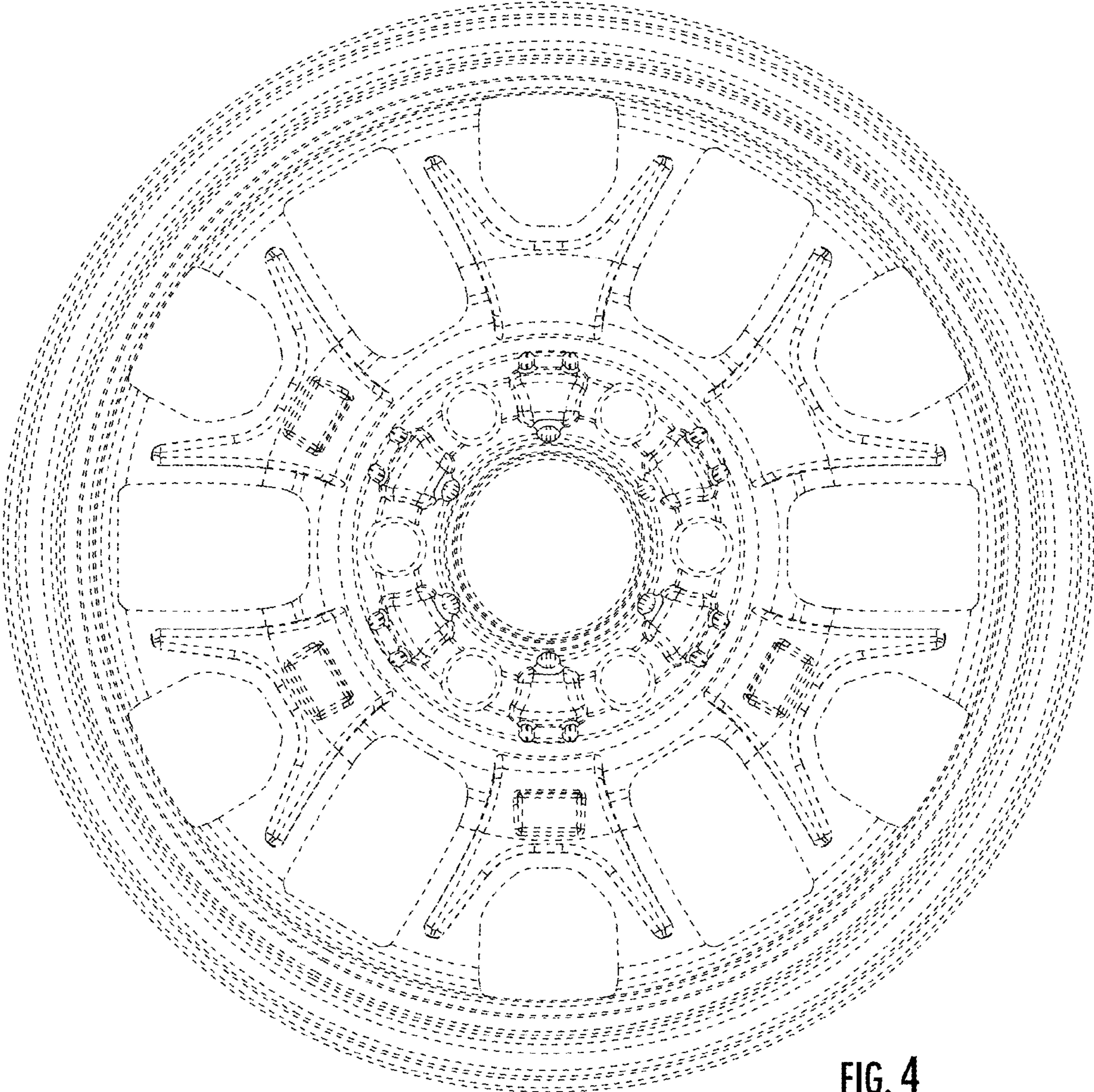


FIG. 4

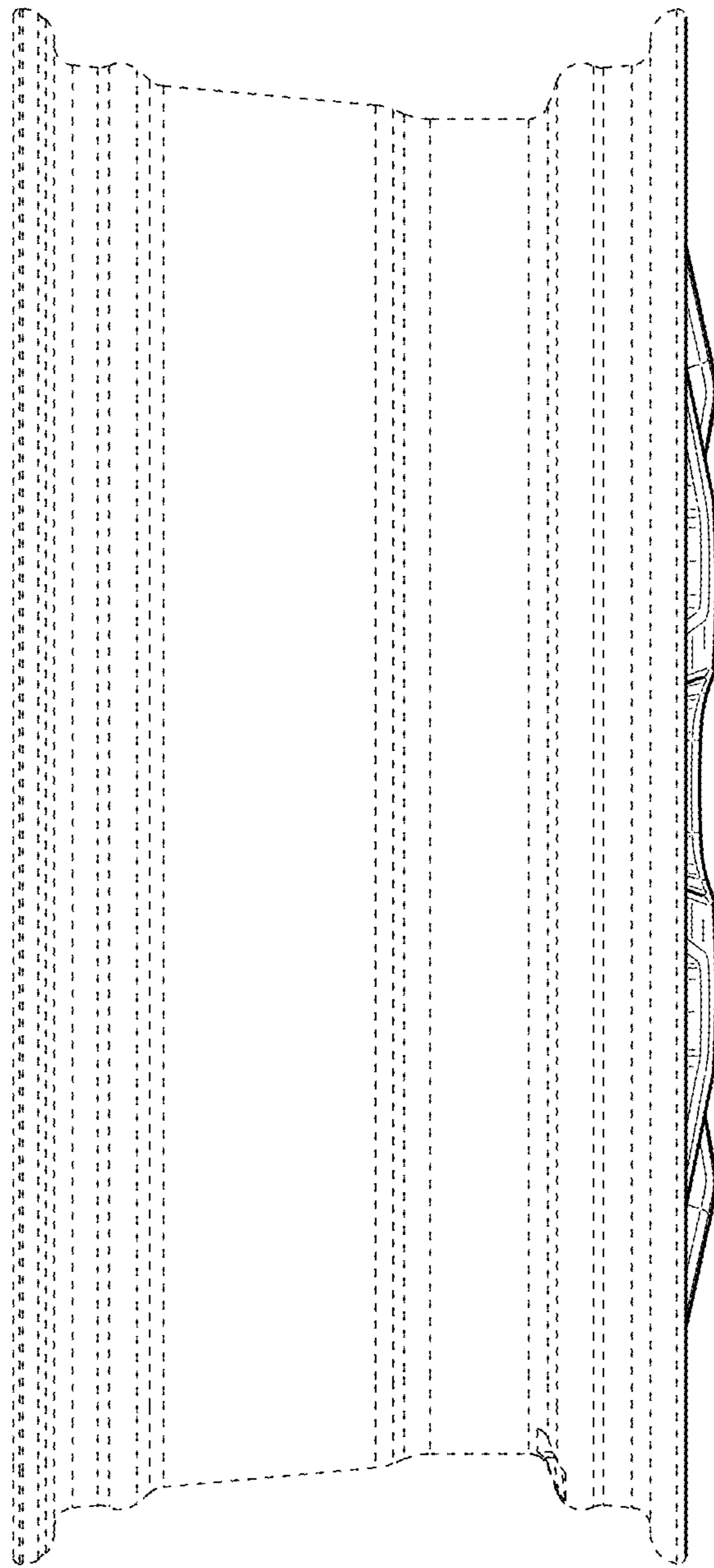


FIG. 5