



US0D1060182S

(12) **United States Design Patent**
Echazabal et al.

(10) **Patent No.:** **US D1,060,182 S**

(45) **Date of Patent:** **** Feb. 4, 2025**

(54) **VEHICLE WHEEL**

(71) Applicant: **Toyota Motor North America, Inc.**,
Plano, TX (US)

(72) Inventors: **Alberto Echazabal**, Prosper, TX (US);
Jakin C. Wilson, Prosper, TX (US)

(73) Assignee: **Toyota Motor North America, Inc.**,
Plano, TX (US)

(**) Term: **15 Years**

(21) Appl. No.: **29/892,534**

(22) Filed: **May 18, 2023**

(51) **LOC (15) Cl.** **12-16**

(52) **U.S. Cl.**
USPC **D12/209**

(58) **Field of Classification Search**
USPC D12/204, 205, 206, 207, 208, 209–213;
D15/10, 33; D21/561, 563
CPC B60B 1/00; B60B 1/08; B60B 1/10; B60B
1/12; B60B 3/02; B60B 3/04; B60B 3/06;
B60B 3/10; B60B 7/00; B60B 7/01;
B60B 7/02; B60B 7/04
See application file for complete search history.

(56) **References Cited**

U.S. PATENT DOCUMENTS

D395,031 S	6/1998	Timm	
D402,952 S	12/1998	Sycha	
D475,336 S *	6/2003	Larson D12/209
D496,623 S	9/2004	Elmitt	
D554,035 S	10/2007	Groom	
D572,185 S	7/2008	Pollmann	
D579,397 S	10/2008	Osborne	
D586,715 S	2/2009	Cortes	
D589,427 S	3/2009	Scheu	
D593,018 S	5/2009	Juergens et al.	
D625,238 S	10/2010	Zhao	
D628,135 S	11/2010	Zhao	

D629,347 S *	12/2010	Kim D12/211
D629,732 S	12/2010	Tirado	
D644,587 S *	9/2011	Gotschke D12/209
D656,448 S	3/2012	Zhao	
D669,009 S *	10/2012	Chung D12/211
D670,227 S	11/2012	Chung	
D687,756 S *	8/2013	Campbell D12/209
D688,187 S	8/2013	McMath	
D690,642 S	10/2013	Kito	

(Continued)

OTHER PUBLICATIONS

Toyota 4 Runner 75154 Machined Black HOL.75154-MBM-A,
posted date unknown [online], [retrieved Sep. 16, 2024]. Retrieved
from internet, <https://www.detroitwheelandtire.com/toyota-4-runner-wheel-rim-wheel-rim-stock-genuine-factory-oem-used-replacement-75154-machined-black-hol-75154-mbm-a.html> (Year: 2024).*

(Continued)

Primary Examiner — Darlington Ly
Assistant Examiner — Jeremy Koenig
(74) *Attorney, Agent, or Firm* — Dinsmore & Shohl LLP

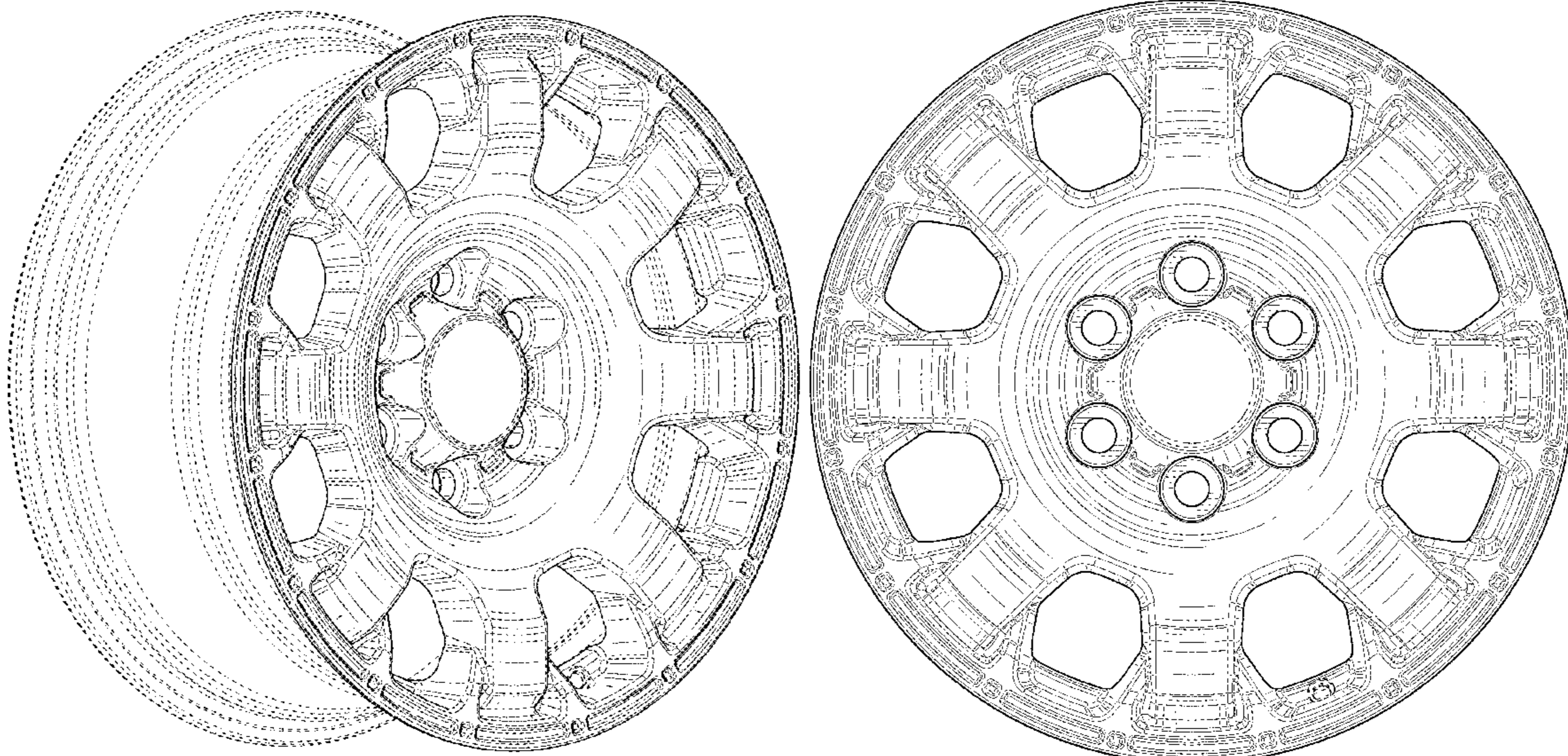
(57) **CLAIM**

The ornamental design for a vehicle wheel as shown and described.

DESCRIPTION

FIG. 1 is a front perspective view of a vehicle wheel illustrating our new design;
FIG. 2 is a rear perspective view thereof;
FIG. 3 is a front elevation view thereof;
FIG. 4 is a rear elevation view thereof; and,
FIG. 5 is a side elevation view thereof.
The broken lines in the drawings illustrate portions of the vehicle wheel that form no part of the claimed design. The dot-dashed lines are included for the purpose of illustrating boundary lines and form no part of the claimed design.

1 Claim, 5 Drawing Sheets



(56)

References Cited

U.S. PATENT DOCUMENTS

D695,195 S * 12/2013 Chung D12/211
 D706,198 S 6/2014 Chung
 D731,946 S 6/2015 Chung
 D733,027 S 6/2015 Chung
 D735,631 S * 8/2015 Chung D12/211
 D750,004 S 2/2016 Chung
 D758,948 S 6/2016 Trpinac
 D765,002 S 8/2016 Hoste et al.
 D767,468 S 9/2016 Stone et al.
 D781,199 S 3/2017 Dionisopoulos et al.
 D781,766 S 3/2017 Galante et al.
 D782,383 S 3/2017 Owens et al.
 D783,496 S 4/2017 Glover et al.
 D786,165 S 5/2017 Hale, Jr.
 D787,405 S 5/2017 Nakamura
 D791,036 S 7/2017 Owens et al.
 D791,043 S * 7/2017 Johnson D12/209
 D792,827 S 7/2017 Chung
 D799,399 S 10/2017 Chung
 D800,044 S 10/2017 Ghobrial et al.
 D817,846 S 5/2018 Stone et al.
 D835,024 S 12/2018 Han
 D849,660 S 5/2019 Ranum

D854,487 S 7/2019 Hale
 D856,246 S * 8/2019 Liffick D12/209
 D876,309 S 2/2020 Echazabal
 D882,481 S * 4/2020 Sempek D12/209
 D885,297 S 5/2020 Hale
 D888,642 S 6/2020 Ninov et al.
 D896,147 S 9/2020 Hoste et al.
 D896,155 S * 9/2020 Echazabal D12/213
 D904,272 S 12/2020 Licklitter
 D908,580 S * 1/2021 Mukti D12/209
 D910,525 S 2/2021 Tran
 D919,540 S * 5/2021 Kangas D12/209
 D922,290 S 6/2021 Kaoud et al.
 D935,973 S 11/2021 Kangas et al.
 D944,706 S * 3/2022 Echazabal D12/209
 D987,517 S 5/2023 Echazabal et al.

OTHER PUBLICATIONS

New 16_ 2016-2023 Toyota Tacoma Replacement Alloy Wheel—
 75189, posted date unknown [online], [retrieved Sep. 16, 2024].
 Retrieved from internet, [https://www.factorywheelreplacement.com/
 products/2016-2019toyotatacoma75189u30](https://www.factorywheelreplacement.com/products/2016-2019toyotatacoma75189u30) (Year: 2024).*

* cited by examiner

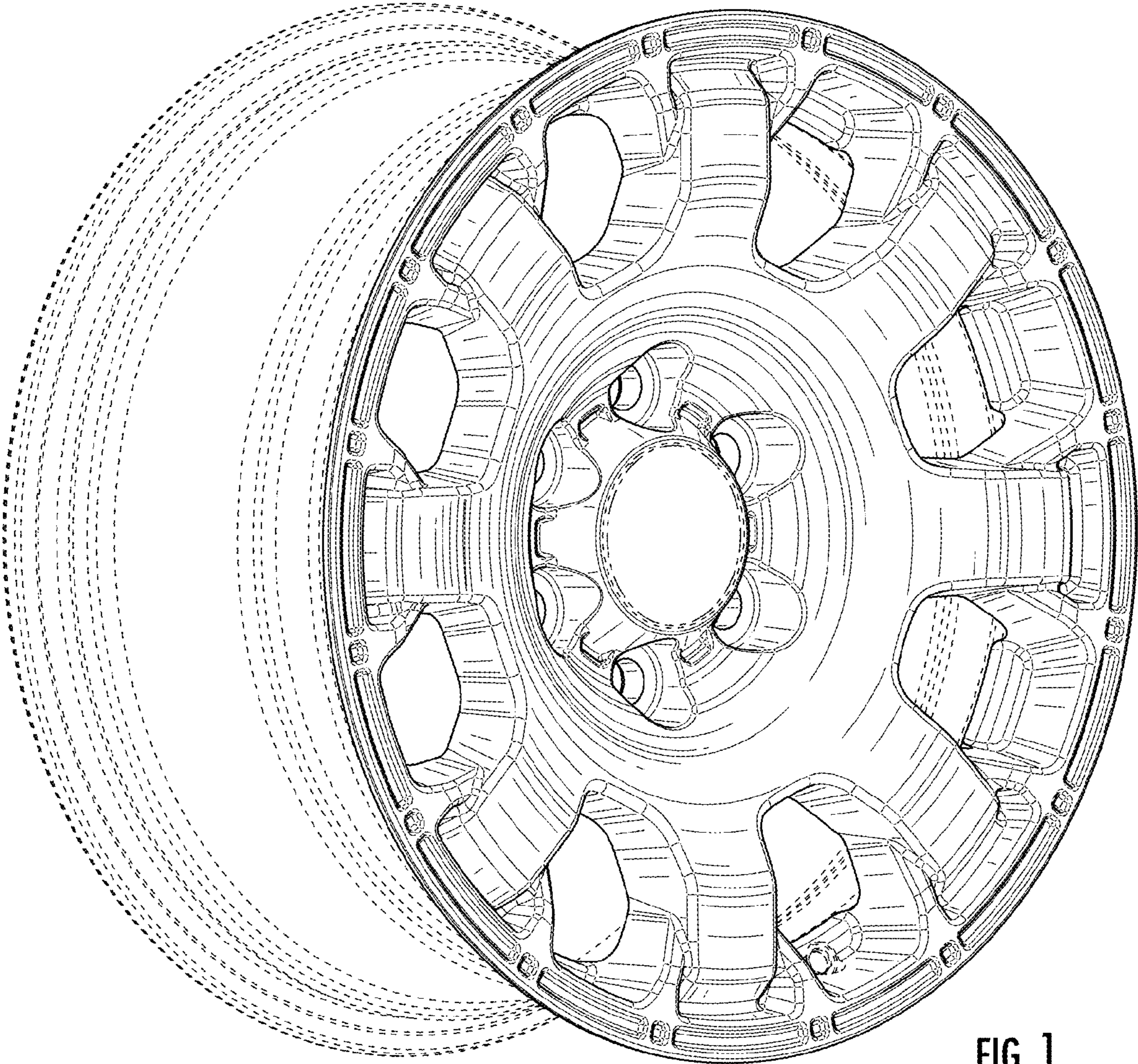


FIG. 1

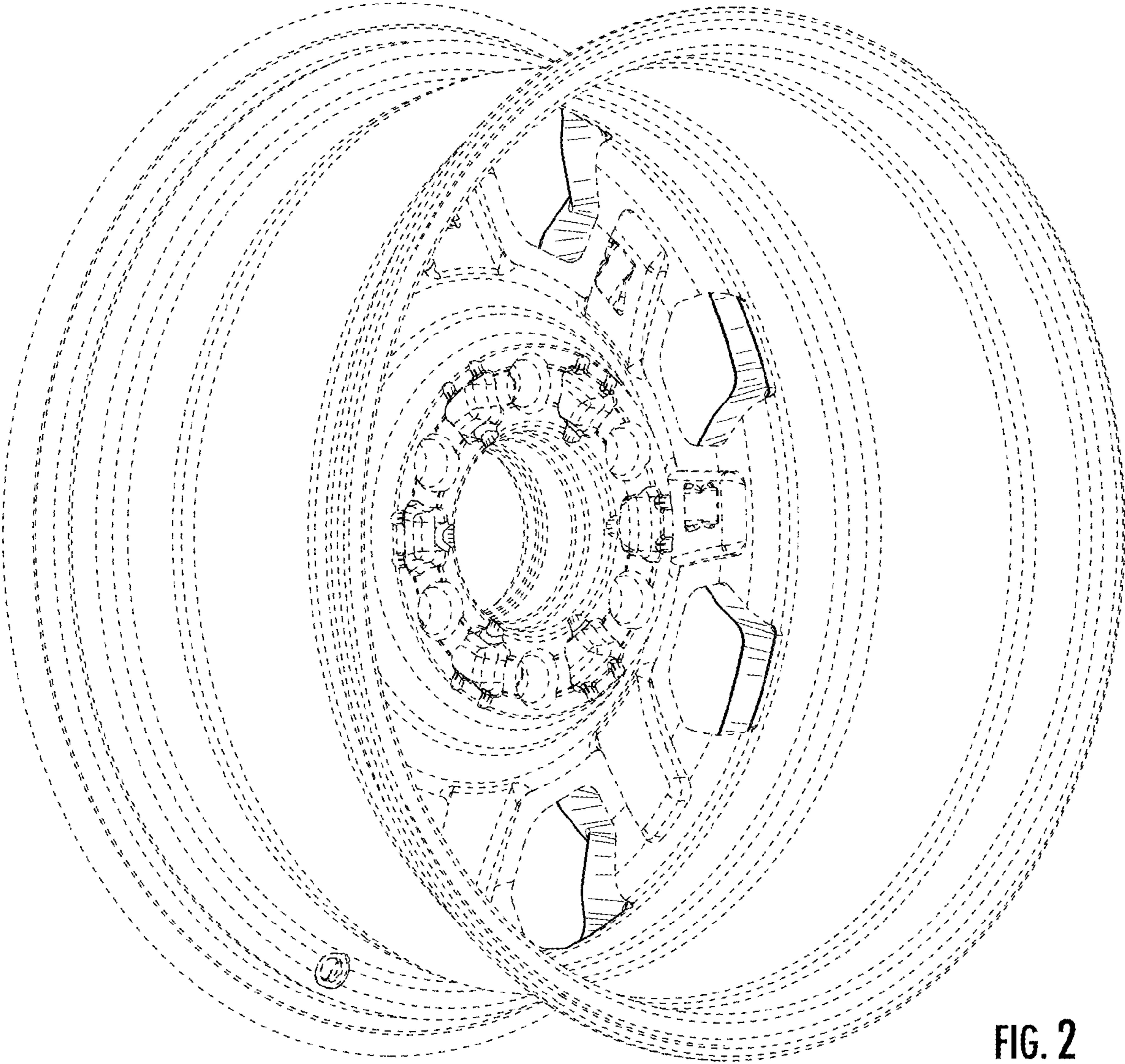


FIG. 2

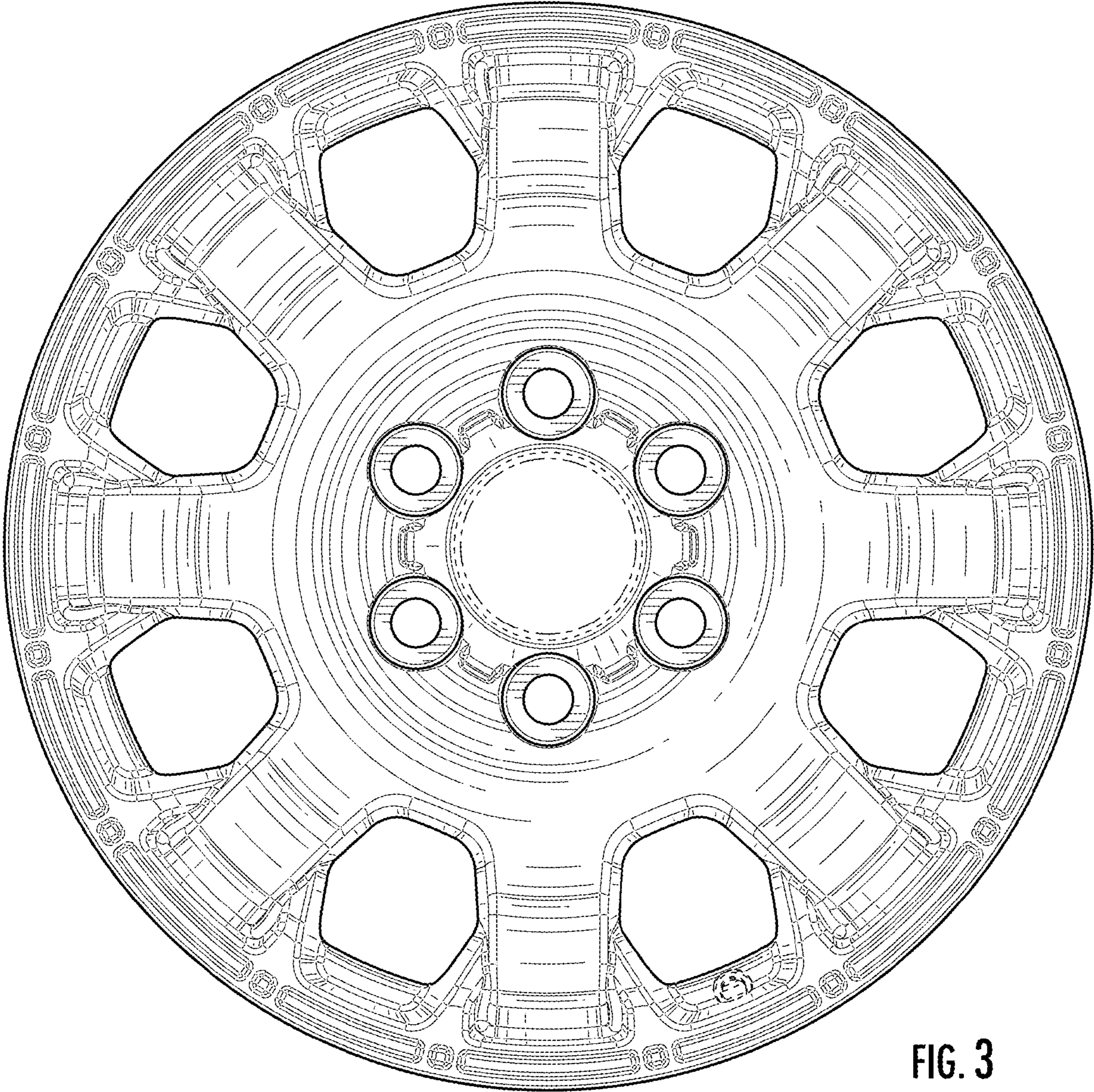


FIG. 3

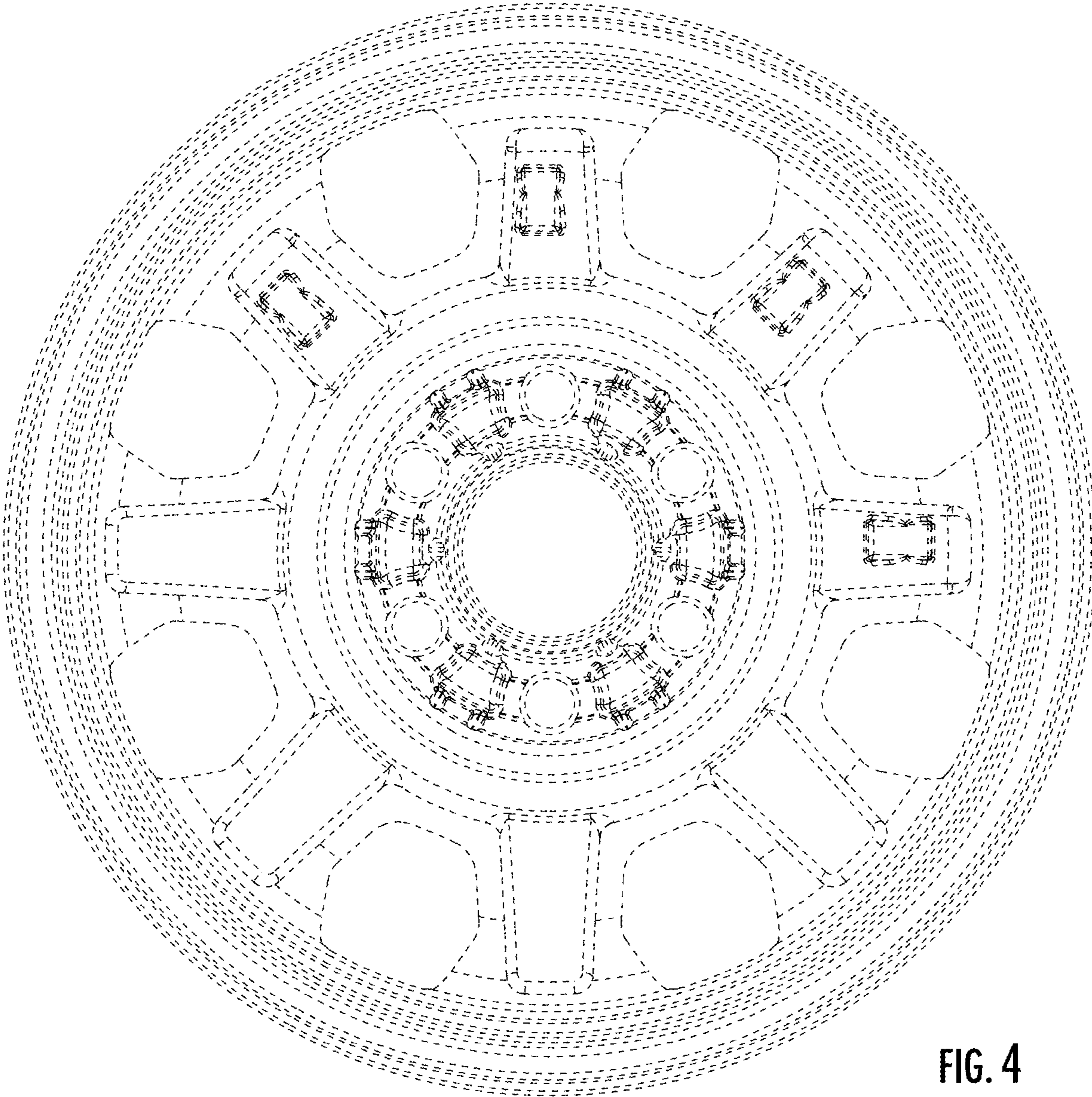


FIG. 4

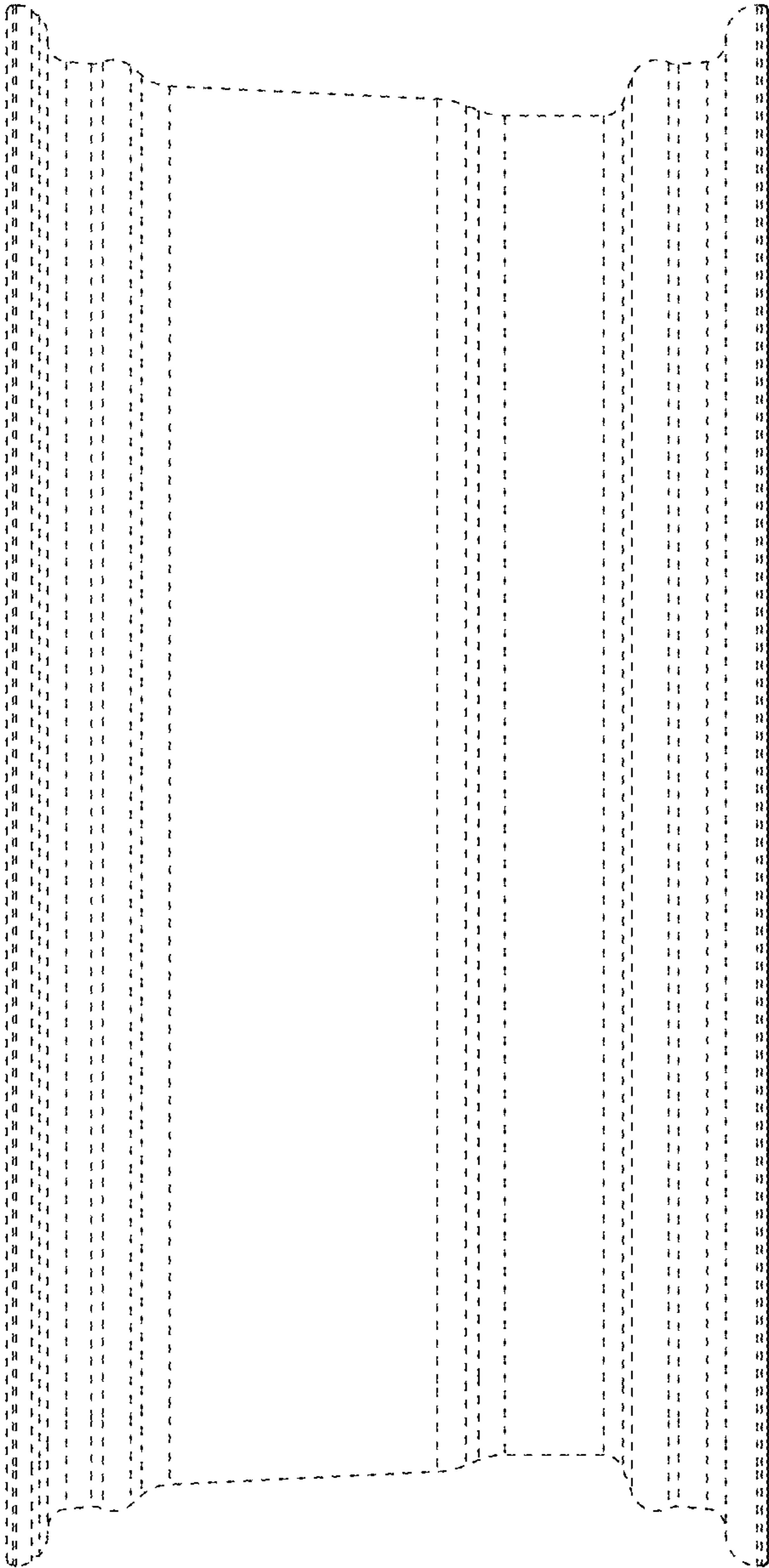


FIG. 5