



US0D1059642S

(12) **United States Design Patent** (10) **Patent No.:** **US D1,059,642 S**
Anderson et al. (45) **Date of Patent:** **** Jan. 28, 2025**

(54) **SHINGLE**

(71) Applicant: **BMIC LLC**, Dallas, TX (US)

(72) Inventors: **Eric Anderson**, Montclair, NJ (US);
Olan Thomas Leitch, Mt. Juliet, TN (US); **Ming-Liang Shiao**, Collegeville, PA (US)

(73) Assignee: **BMIC LLC**, Dallas, TX (US)

(**) Term: **15 Years**

(21) Appl. No.: **29/857,188**

(22) Filed: **Oct. 20, 2022**

(51) **LOC (15) Cl.** **25-01**

(52) **U.S. Cl.**
USPC **D25/139**

(58) **Field of Classification Search**
USPC D25/138-141, 143, 56, 102, 125
(Continued)

(56) **References Cited**

U.S. PATENT DOCUMENTS

3,479,130 A * 11/1969 Rapaport E04D 13/002
424/641
D254,991 S * 5/1980 Falcq D25/164
(Continued)

OTHER PUBLICATIONS

Laminate Architectural Shingles, announced in YouTube on Dec. 7, 2018 [online], [site visited Feb. 29, 2024], Available from the internet URL: <https://www.youtube.com/watch?app=desktop&v=VPHJUvRRfJY> (Year: 2018).*

(Continued)

Primary Examiner — Justin M Jonaitis

Assistant Examiner — Jasmine L. Comedy

(74) *Attorney, Agent, or Firm* — Venable LLP

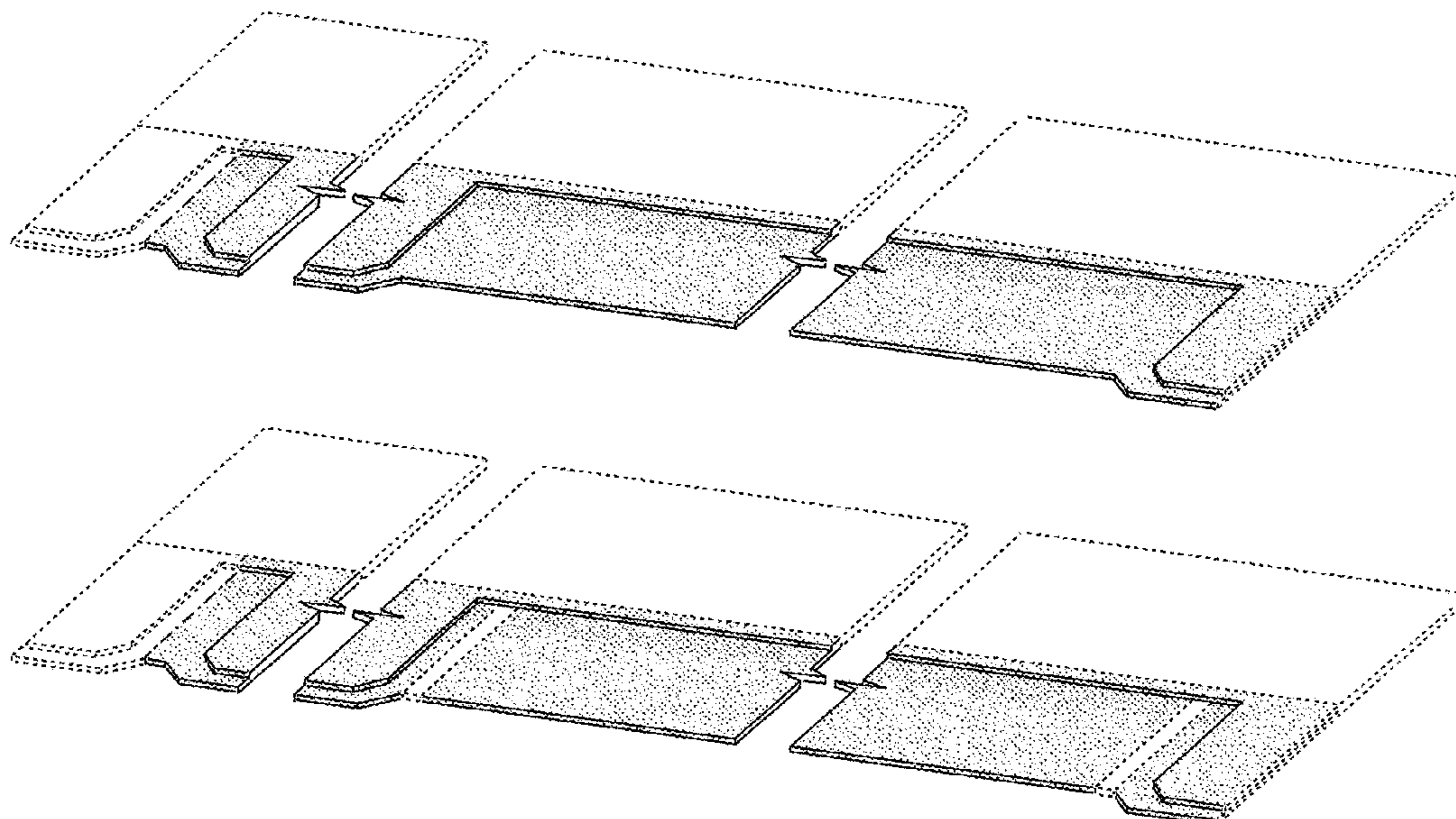
(57) **CLAIM**

The ornamental design for a shingle, as shown and described.

DESCRIPTION

FIG. 1 is a top perspective view of an embodiment of a shingle;
FIG. 2 is a top view of the embodiment shown in FIG. 1;
FIG. 3 is a bottom view of the embodiment shown in FIG. 1;
FIG. 4 is a left side view of the embodiment shown in FIG. 1;
FIG. 5 is a right side view of the embodiment shown in FIG. 1;
FIG. 6 is a rear view of the embodiment shown in FIG. 1;
FIG. 7 is a front view of the embodiment shown in FIG. 1;
FIG. 8 is a top perspective view of another embodiment of a shingle;
FIG. 9 is a top view of the embodiment shown in FIG. 8;
FIG. 10 is a bottom view of the embodiment shown in FIG. 8;
FIG. 11 is a left side view of the embodiment shown in FIG. 8;
FIG. 12 is a right side view of the embodiment shown in FIG. 8;
FIG. 13 is a rear view of the embodiment shown in FIG. 8; and,
FIG. 14 is a front view of the embodiment shown in FIG. 8.
The broken lines depict portions of the shingle that form no part of the claimed design.
The drawings contain symbolic break lines in FIGS. 1-3, 6-10 and 13-14. The portion between the break lines forms no part of the claimed design.
The dashed-dot lines illustrate unclaimed boundary lines.

1 Claim, 14 Drawing Sheets



(58) **Field of Classification Search**

CPC .. E04D 1/26; E04D 1/265; E04D 1/12; E04D
1/02; E04D 13/002; E04D 1/22; E04D
1/30; E04D 2001/308; E04D 1/125; E04D
1/28; E04D 2001/005

See application file for complete search history.

2004/0103611 A1* 6/2004 King E04D 1/26
428/141
2006/0168899 A1* 8/2006 Buckenmaier E04D 13/002
52/24
2017/0101783 A1* 4/2017 Edgson E04D 1/30

OTHER PUBLICATIONS

Owens Corning Roofing, announced in YouTube on Jul. 18, 2019 [online], [site visited Feb. 29, 2024], Available from the internet URL: <https://www.youtube.com/watch?v=Pd23nKadCrl> (Year: 2019).*

Composite Asphalt Shingle Roof, available in website.com, date first available Feb. 5, 2019 [online], [site visited Mar. 4, 2024], Available from the internet URL: <https://rhodenroofing.com/impact-of-hail-on-asphalt-roof/> (Year: 2019).*

Architectural Shingles, available in website.com, date first available Apr. 23, 2017 [online], [site visited Mar. 4, 2024], Available from the internet URL: <https://www.popularmechanics.com/home/outdoor-projects/a26126/architectural-shingles-roof/> (Year: 2017).*

OC Devonshire Castle shingles, date first available Nov. 24, 2020 [online], Available from the internet URL: <https://www.roofingtalk.com/threads/looking-for-oc-devonshire-castle-shingles.10331/> (Year: 2020).*

Camelot II Royal Slate Designer Laminated Architectural Shingles, customer review oldest date Sep. 20, 2017 [online], Available from the internet URL: <https://www.homedepot.com/p/GAF-Camelot-II-Royal-Slate-Designer-Laminated-Architectural-Shingles-25-sq-ft-per-Bundle-14-pieces-0692695/206598879> (Year: 2017).*

* cited by examiner

(56) **References Cited**

U.S. PATENT DOCUMENTS

D265,510 S * 7/1982 Bedwell, Jr. D25/139
5,216,864 A * 6/1993 Urgero A01N 59/16
52/515
5,666,776 A * 9/1997 Weaver E04D 1/26
52/518
6,195,951 B1 * 3/2001 Stahl E04D 1/26
52/316
D603,071 S * 10/2009 Fifield D25/141
D658,787 S * 5/2012 Westfall D25/143
D668,795 S * 10/2012 Thompson D25/141
D699,867 S * 2/2014 Thompson D25/141
D867,623 S * 11/2019 Grubka D25/139
D1,025,406 S * 4/2024 Anderson D25/139
D1,026,259 S * 5/2024 Anderson D25/139
2003/0150170 A1* 8/2003 Weber E04D 13/00
52/518

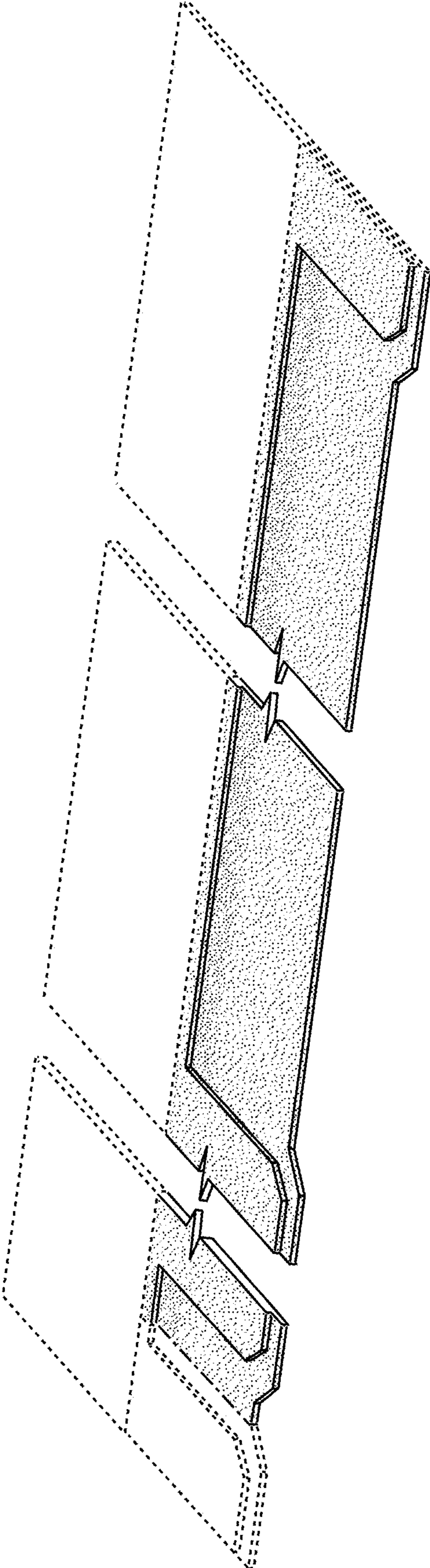


FIG. 1

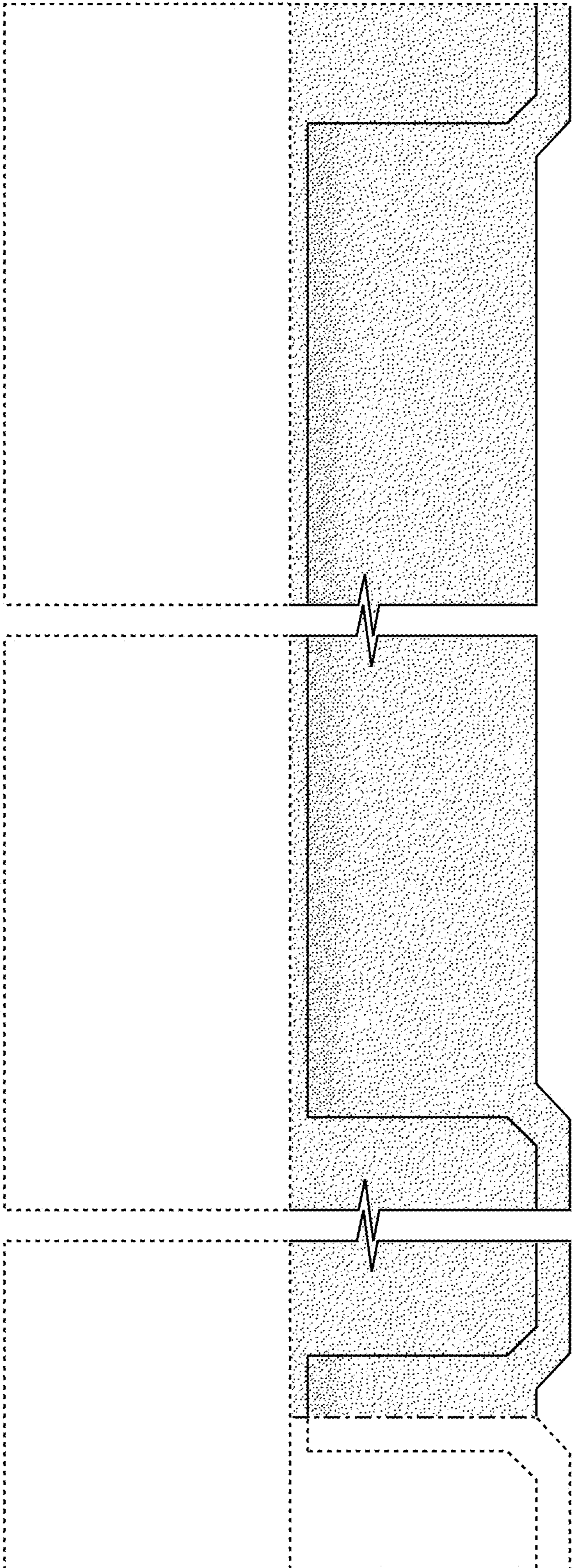


FIG. 2

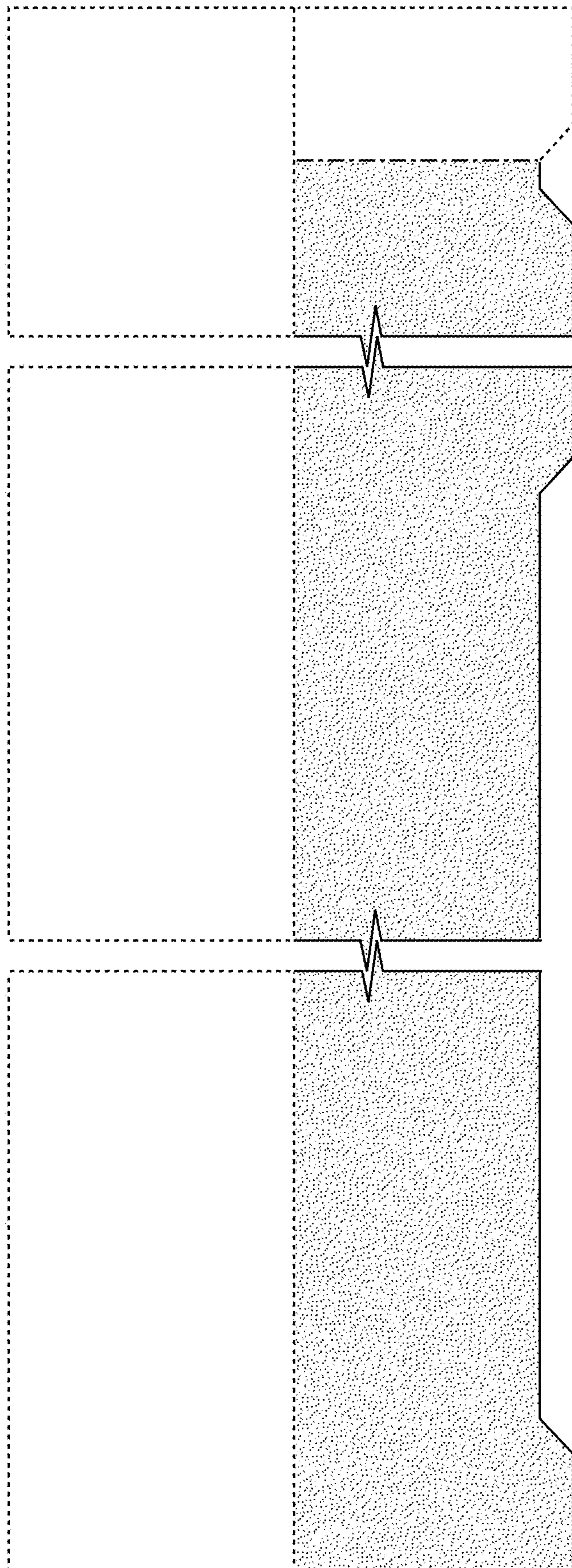


FIG. 3

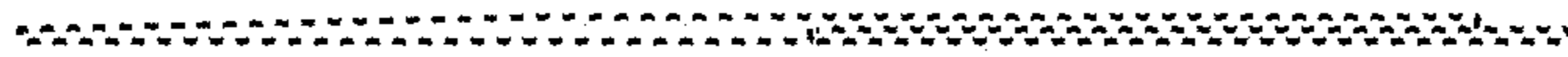


FIG. 4

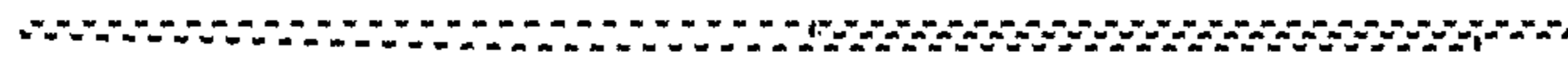


FIG. 5



FIG. 6



FIG. 7

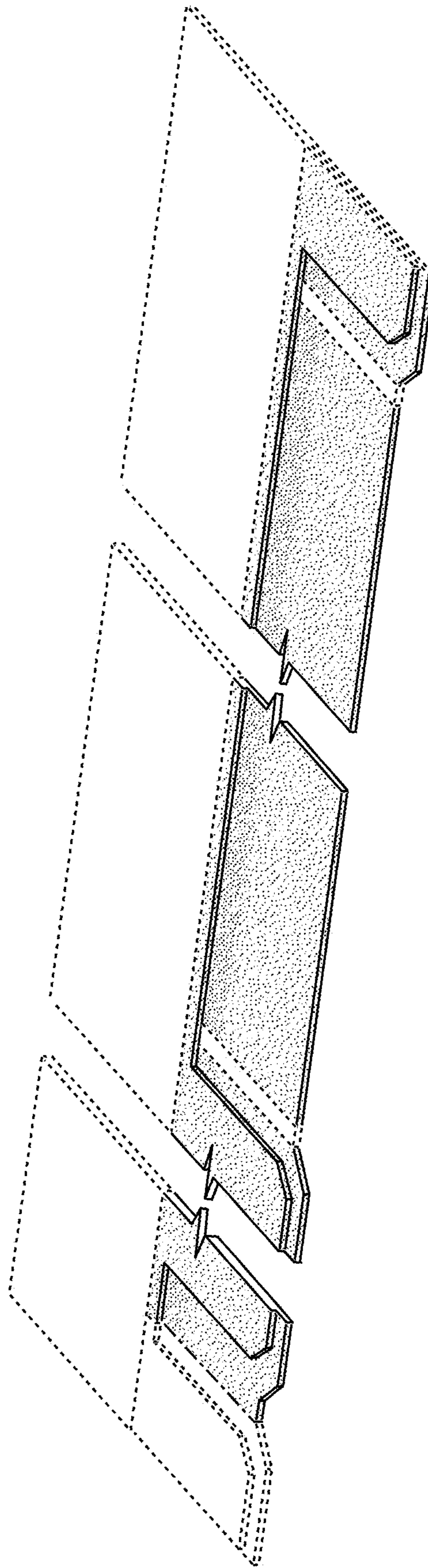


FIG. 8

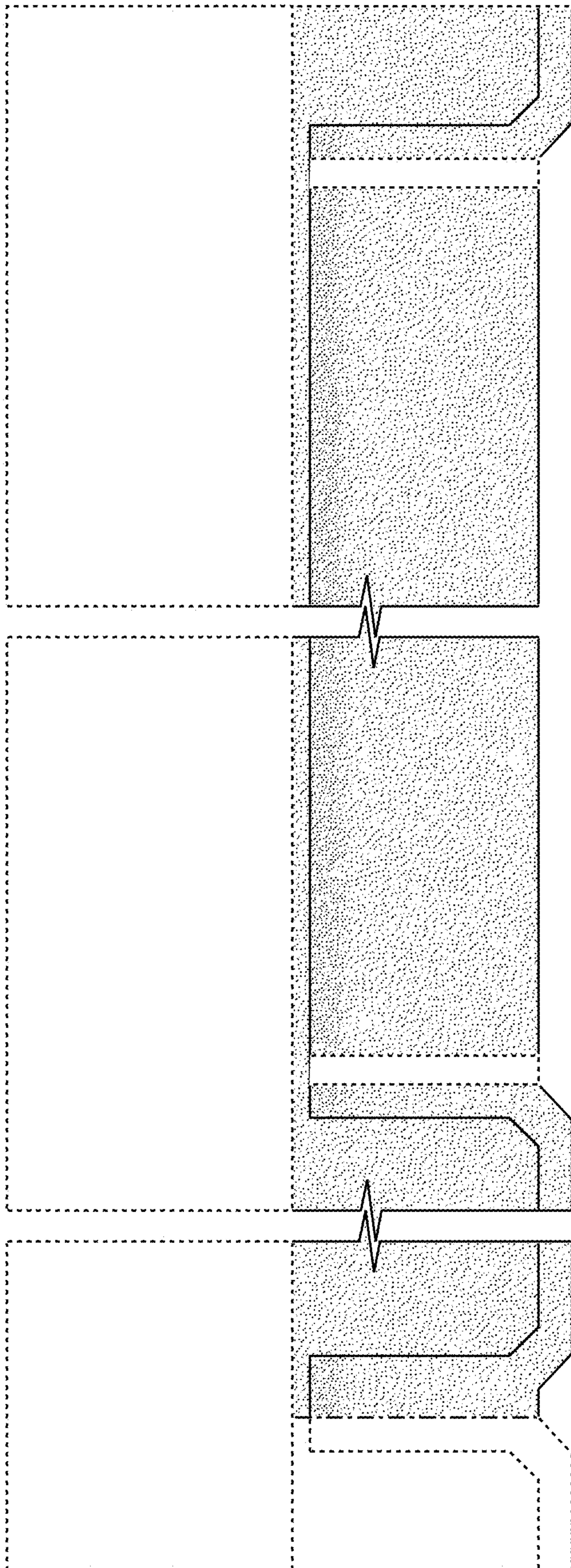


FIG. 9

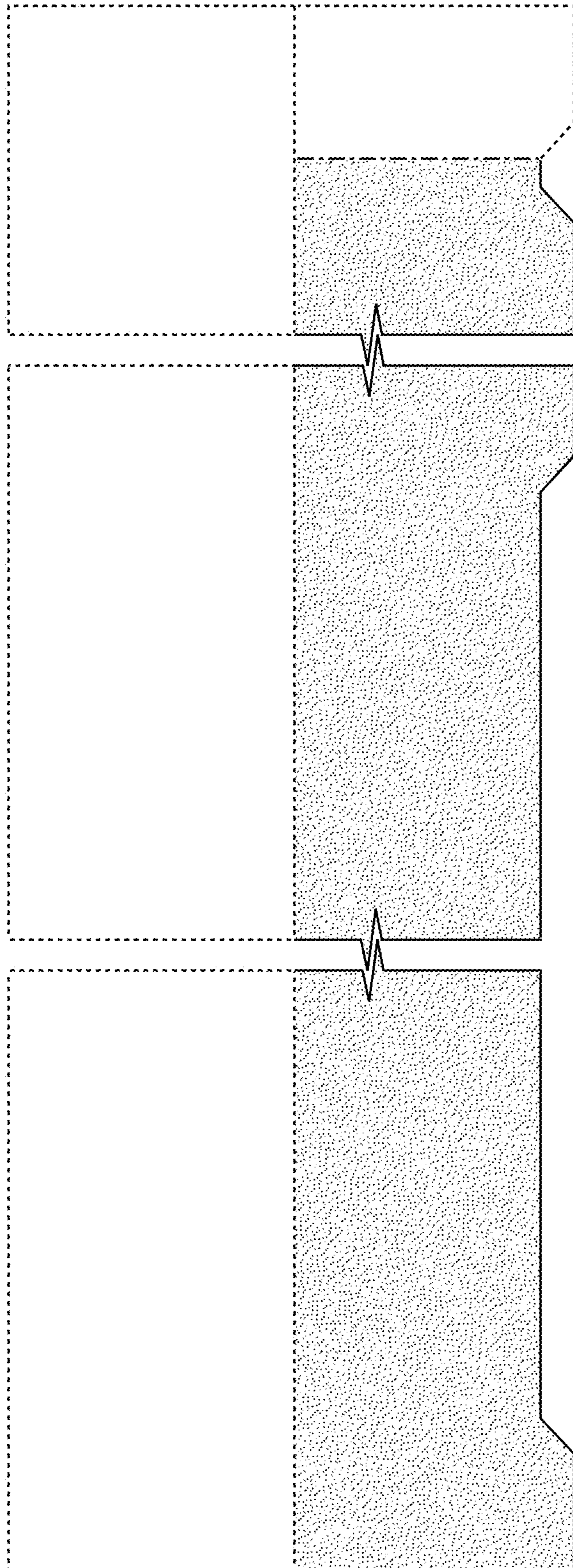


FIG. 10

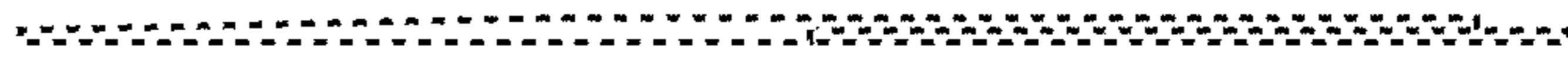


FIG. 11

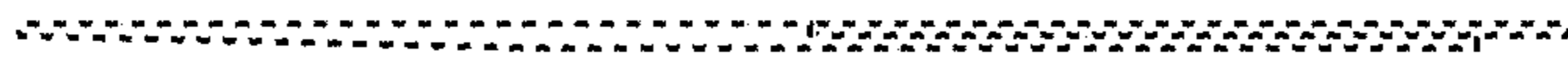


FIG. 12



FIG. 13



FIG. 14