



US0D1059529S

(12) **United States Design Patent**
Schneider

(10) **Patent No.: US D1,059,529 S**

(45) **Date of Patent: ** Jan. 28, 2025**

(54) **BOW HOLDER**

(71) Applicant: **Tristan Monroe Schneider**, Fort Worth, TX (US)

(72) Inventor: **Tristan Monroe Schneider**, Fort Worth, TX (US)

(**) Term: **15 Years**

(21) Appl. No.: **29/890,710**

(22) Filed: **Apr. 26, 2023**

(51) **LOC (15) Cl.** **22-01**

(52) **U.S. Cl.**
USPC **D22/107**

(58) **Field of Classification Search**
USPC D22/107; D8/367, 371, 373
CPC F41B 5/14; F41B 5/1453; F41B 5/1461;
F41B 5/063; F41B 5/066
See application file for complete search history.

(56) **References Cited**

U.S. PATENT DOCUMENTS

D207,320 S *	4/1967	Klaurens	D22/107
3,661,136 A *	5/1972	Bradshaw	F41B 5/1469
				124/35.2
D266,374 S *	10/1982	Drake	D8/367
D522,083 S *	5/2006	Afshari	D22/107
D542,878 S *	5/2007	Gray	D22/106
10,907,926 B1	2/2021	Alba		

OTHER PUBLICATIONS

“Bow Spider Bow Holder Carrier | Archery Sling Holster | Bow Hanger”, retrieved on Apr. 10, 2023 from: <https://bowspider.com/>; publication date unknown; 14 pp. total.

“The Mule Stabilizer”, retrieved on Apr. 10, 2023 from: <https://aimforapassthrough.com/>; publication date unknown; 8 pp. total.

* cited by examiner

Primary Examiner — Michael A. Pratt

(74) *Attorney, Agent, or Firm* — Law Office of Sam Sokhansanj PLLC

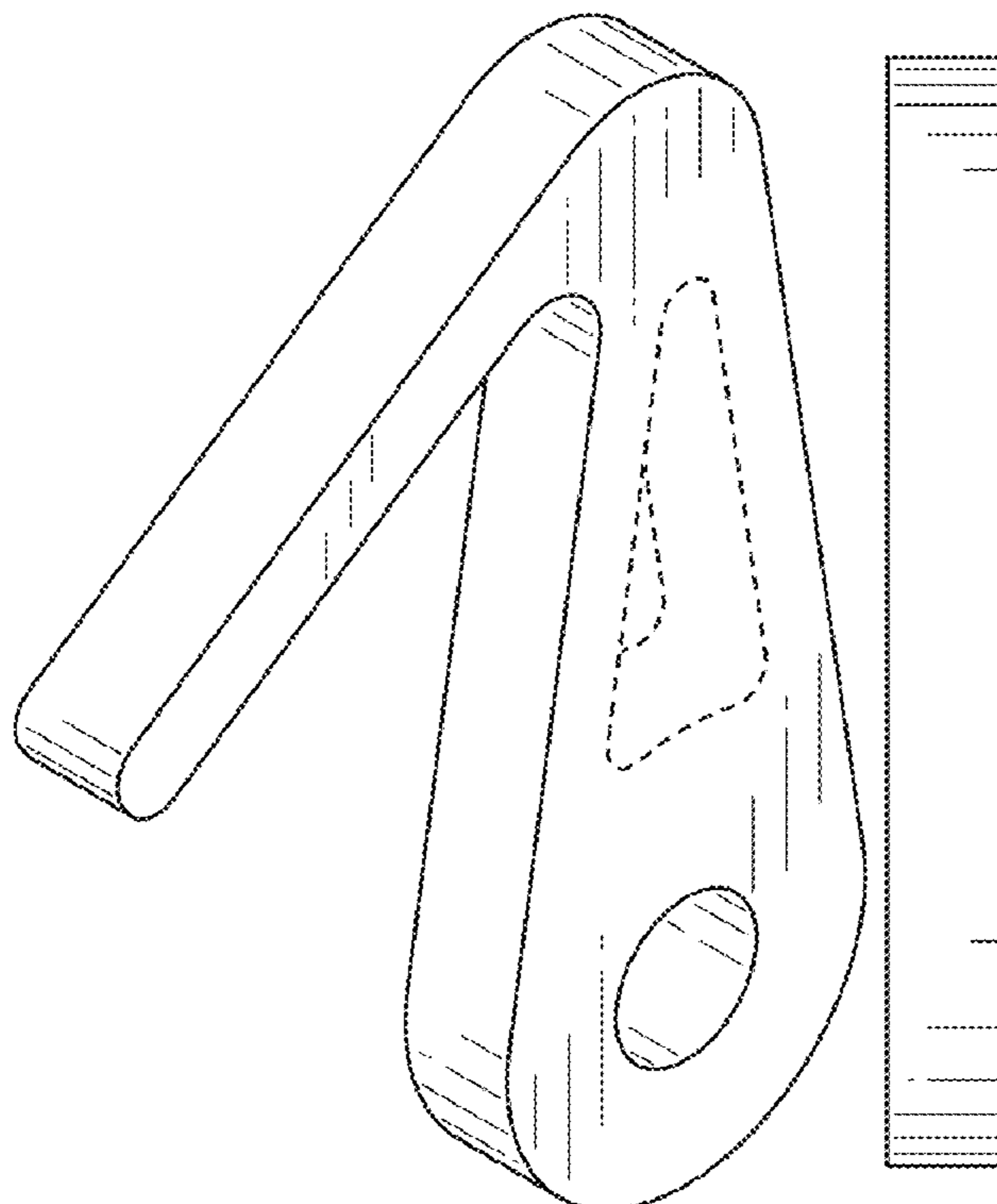
(57) **CLAIM**

The ornamental design for a bow holder as shown and described.

DESCRIPTION

FIG. 1 illustrates a perspective view for a bow holder.
 FIG. 2 illustrates a left side view for the bow holder of FIG. 1.
 FIG. 3 illustrates a right side view for the bow holder of FIG. 1.
 FIG. 4 illustrates a top view for the bow holder of FIG. 1.
 FIG. 5 illustrates a bottom view for the bow holder of FIG. 1.
 FIG. 6 illustrates a front view for the bow holder of FIG. 1.
 FIG. 7 illustrates a rear view for the bow holder of FIG. 1; and,
 FIG. 8 illustrates an environmental view for the bow holder of FIG. 1.
 The broken lines show portions of the bow holder and environmental matter which form no part of the claimed design.

1 Claim, 4 Drawing Sheets



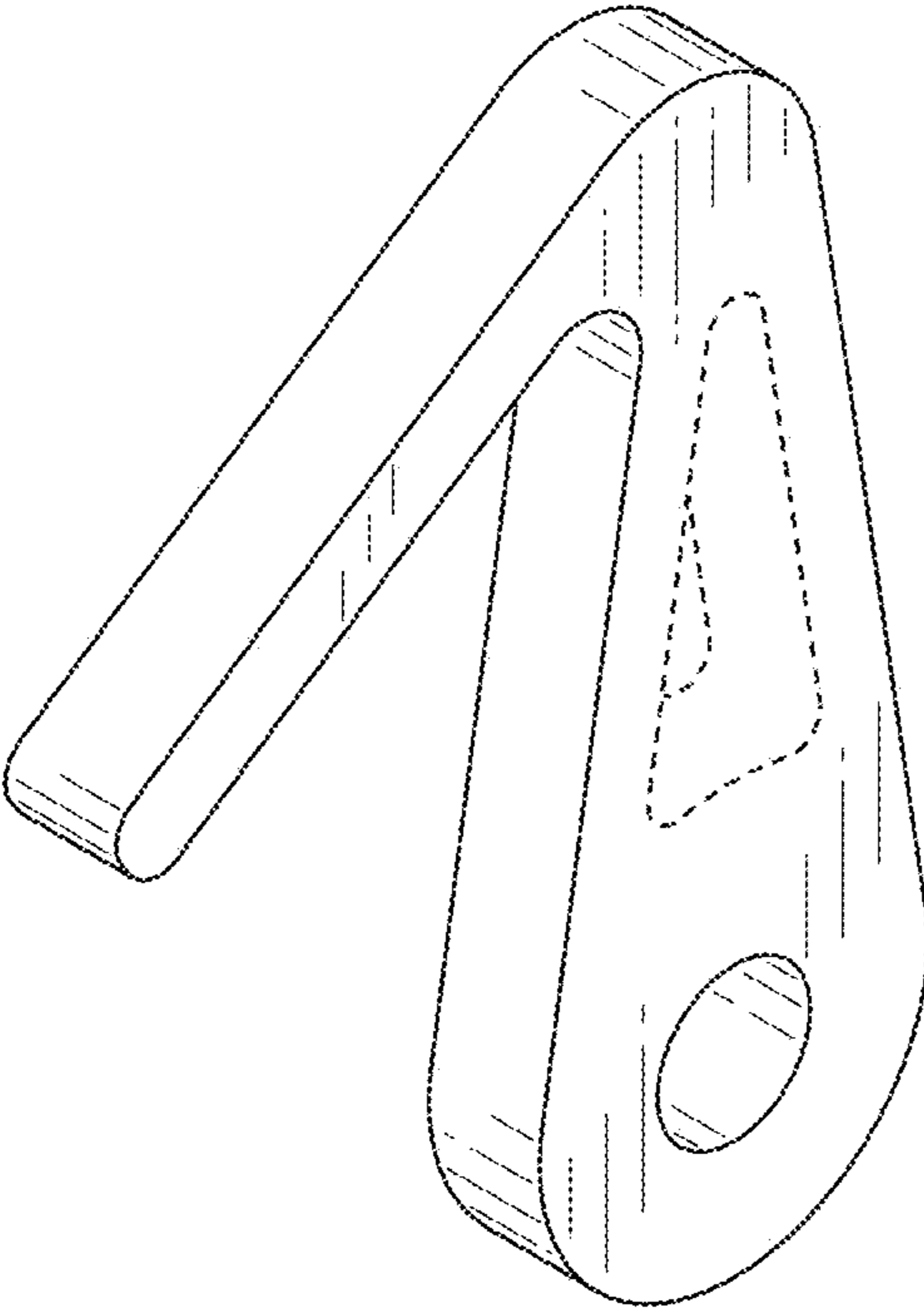


FIG. 1

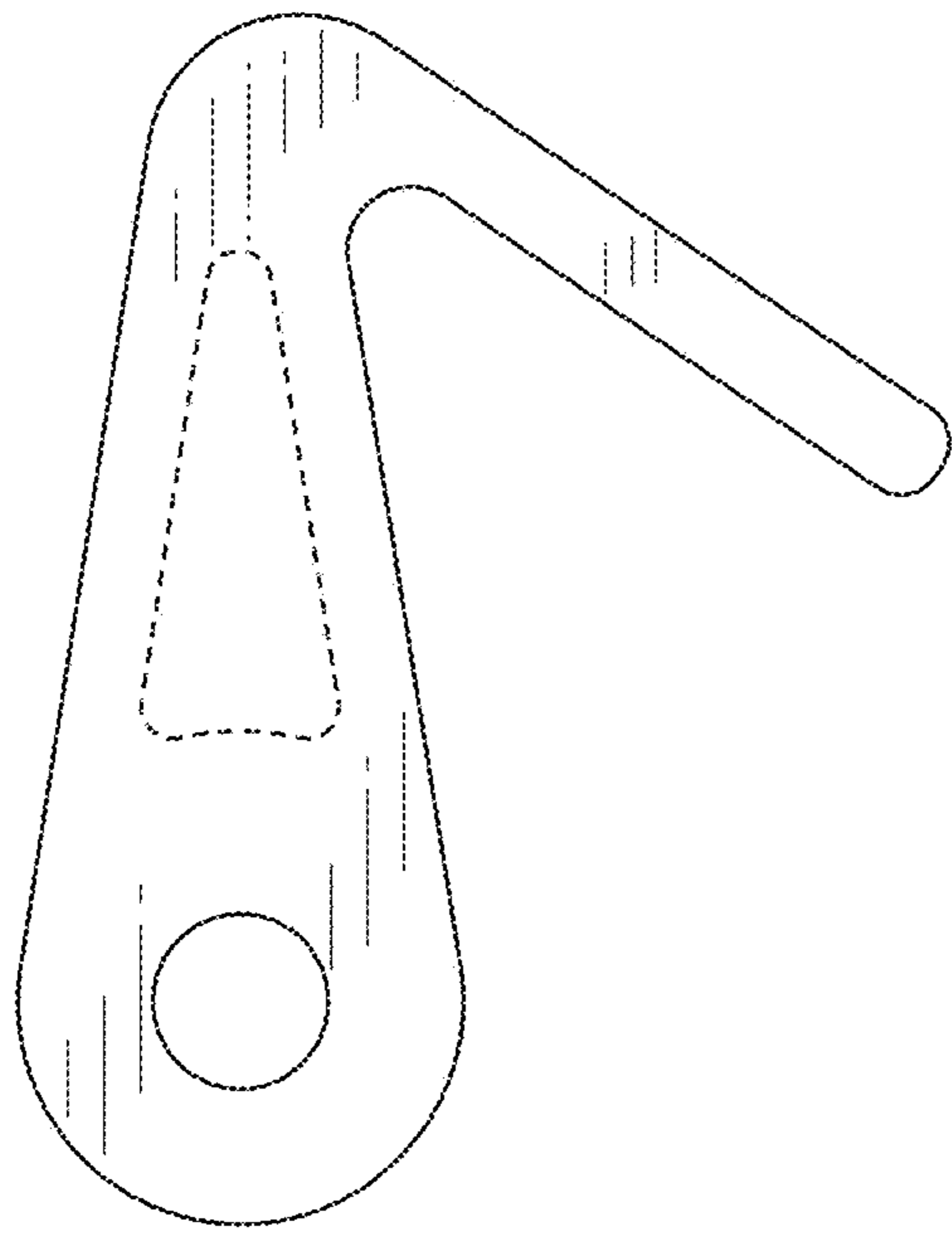


FIG. 2

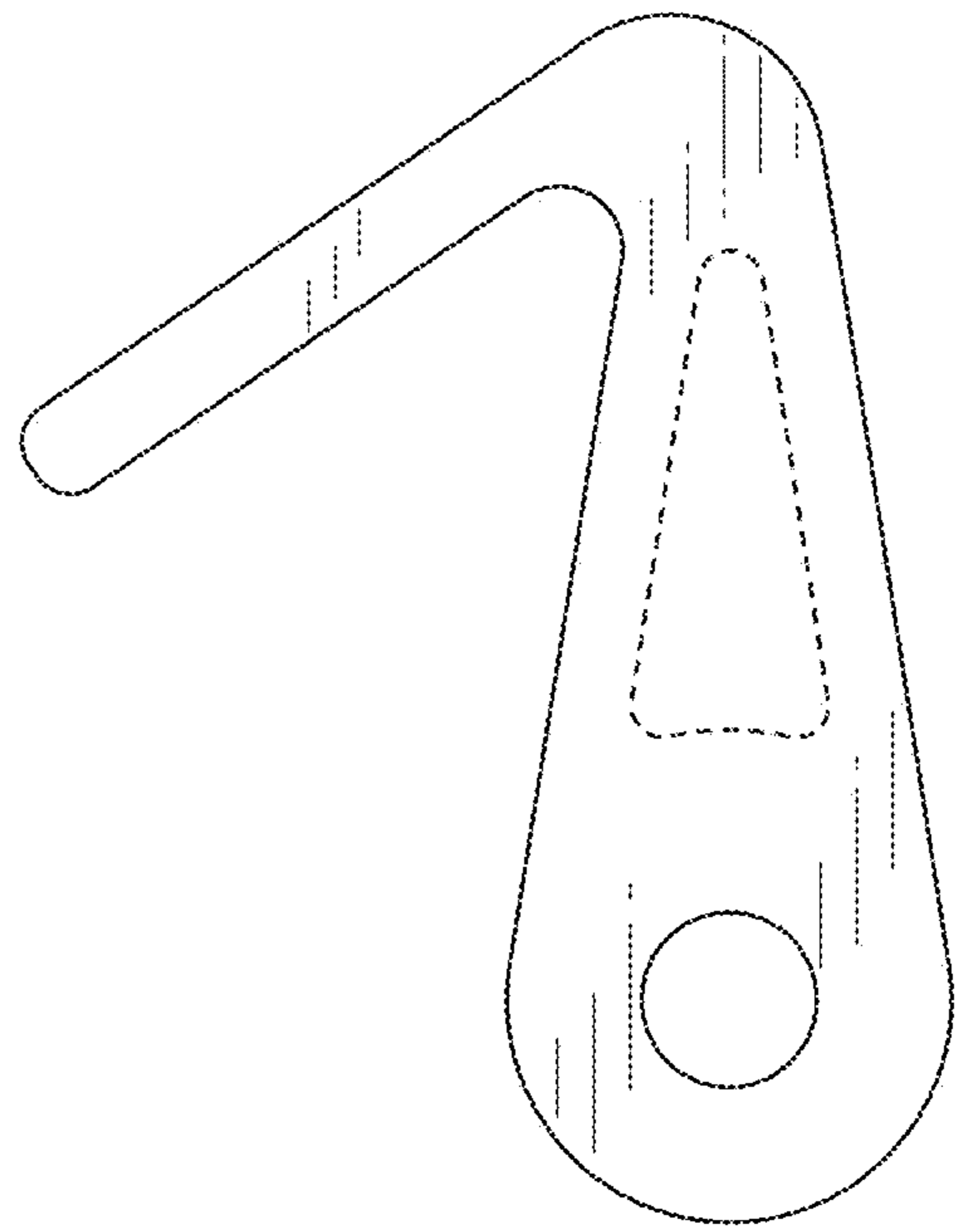


FIG. 3

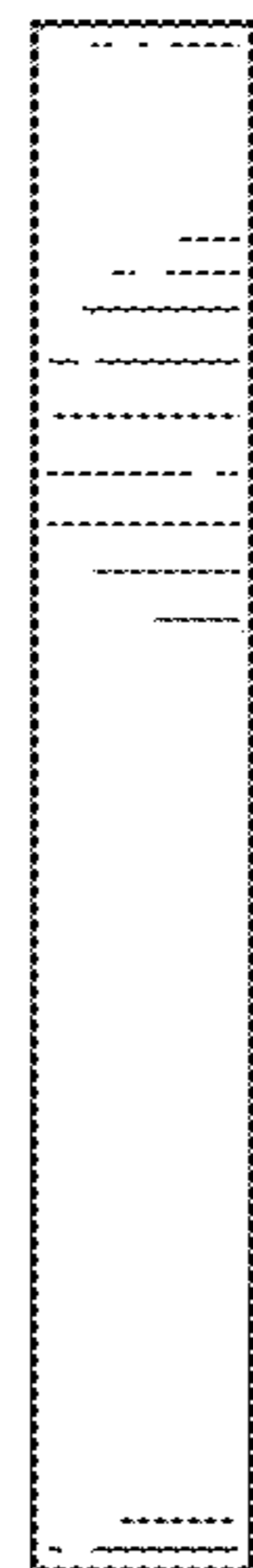


FIG. 4

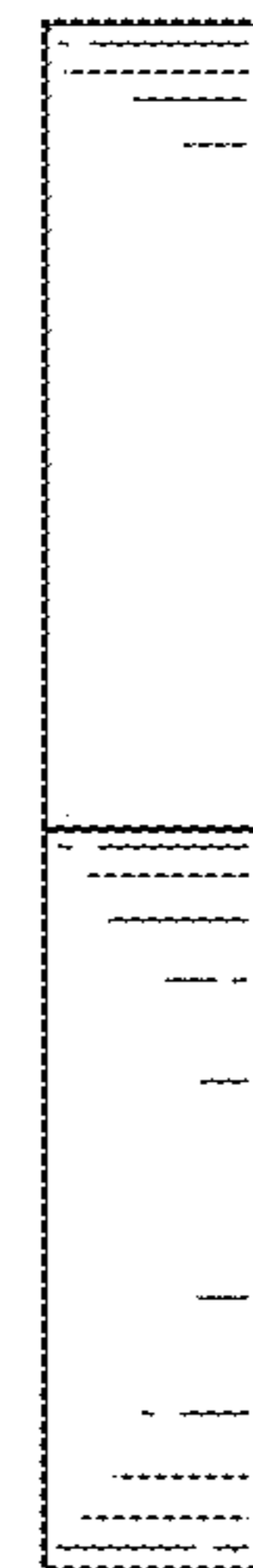


FIG. 5



FIG. 6



FIG. 7

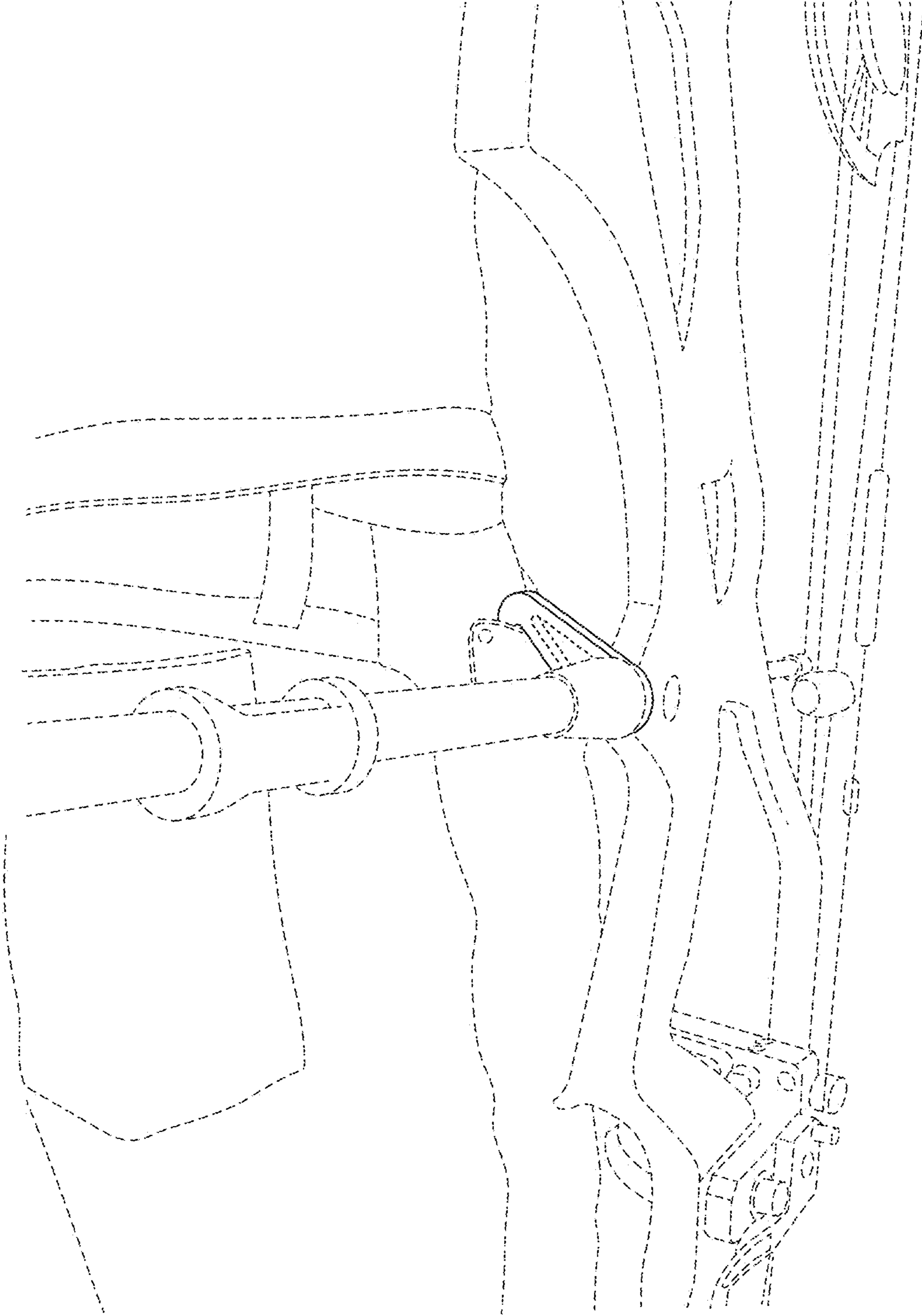


FIG. 8