



(12) **United States Design Patent**  
**Hagler et al.**

(10) **Patent No.:** **US D1,059,501 S**  
(45) **Date of Patent:** **\*\* Jan. 28, 2025**

(54) **MODEL VEHICLE WHEEL**  
(71) Applicant: **TRAXXAS, L.P.**, McKinney, TX (US)  
(72) Inventors: **Skylar Hagler**, Anna, TX (US); **Jaime Felix Barajas**, Dallas, TX (US); **Jory Sprowl**, Honey Grove, TX (US); **Casey Christen Jens Christensen**, McKinney, TX (US); **Otto Karl Allmendinger**, Rowlett, TX (US); **Adam Cole Ewing**, McKinney, TX (US); **Kent Poteet**, Lucas, TX (US)

D223,534 S 5/1972 Reid  
D225,842 S 1/1973 Clement  
D226,376 S 2/1973 Main et al.  
(Continued)

**FOREIGN PATENT DOCUMENTS**

CA 181803 \* 3/2019  
CA 007872338 \* 3/2019  
(Continued)

**OTHER PUBLICATIONS**

Autogeek, posted Aug. 14, 2010 [online], [retrieved Apr. 16, 2024]. Retrieved from internet, <https://www.autogeekonline.net/forum/how-to-articles/27892-old-school-aluminum-slotted-mag-wheels-extreme-makeover.html> (Year: 2010).\*

(Continued)

*Primary Examiner* — Garth Rademaker  
*Assistant Examiner* — Aaron C Fowler

(74) *Attorney, Agent, or Firm* — Daryl R. Wright; Greg Carr

(73) Assignee: **TRAXXAS, L.P.**, McKinney, TX (US)

(\*\*) Term: **15 Years**

(21) Appl. No.: **29/881,286**

(22) Filed: **Dec. 29, 2022**

(51) **LOC (15) Cl.** ..... **21-01**

(52) **U.S. Cl.**  
USPC ..... **D21/563**; D12/204

(58) **Field of Classification Search**  
USPC ..... D12/202, 204, 205, 206, 207, 208, 209, D12/210, 211, 212, 213; D21/563  
CPC ..... B60B 3/00; B60B 3/001; B60B 3/002; B60B 3/02; B60B 3/10; B60B 7/00; B60B 7/0013; B60B 7/0006; B60B 7/0066; B60B 7/008; A63C 17/002; A63C 17/006; A63C 17/22; A63C 2203/14; B60Q 1/326

See application file for complete search history.

(56) **References Cited**

**U.S. PATENT DOCUMENTS**

1,978,026 A 10/1934 Miller  
2,731,301 A 1/1956 Lyon  
D206,873 S 2/1967 Reid  
D207,951 S 6/1967 Hibbard  
D221,934 S 9/1971 Main et al.

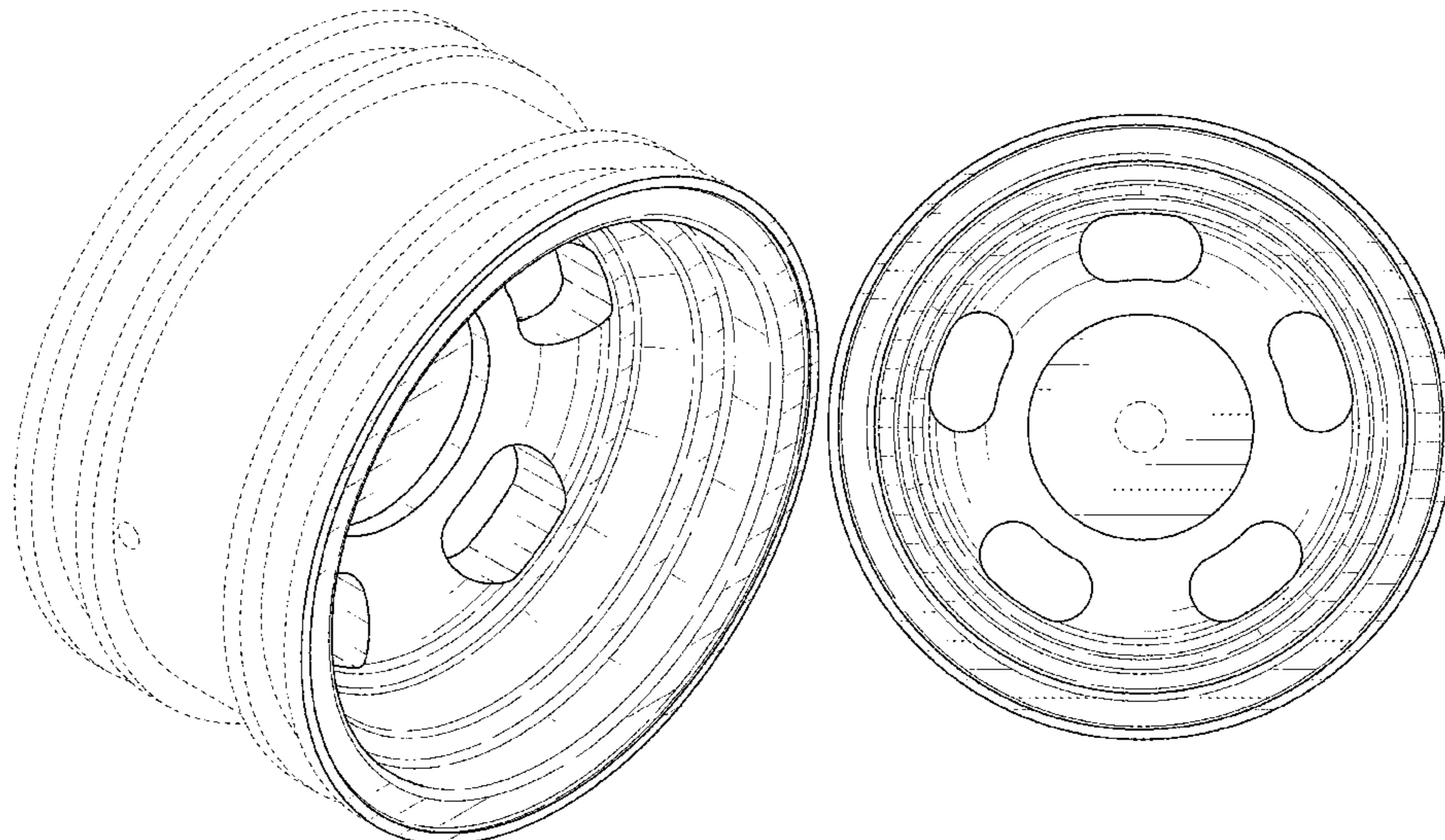
(57) **CLAIM**

The ornamental design for a model vehicle wheel as shown and described.

**DESCRIPTION**

FIG. 1 is an upper, right, front perspective view of a model vehicle wheel showing our new design; FIG. 2 is an upper, left, rear perspective view thereof; FIG. 3 is a front elevation view thereof; FIG. 4 is a rear elevation view thereof; FIG. 5 is a right side elevation view thereof; FIG. 6 is a left side elevation view thereof; FIG. 7 is an upper plan view thereof; and, FIG. 8 is a lower plan view of the model vehicle wheel. In the drawings, the broken lines illustrate portions of the model vehicle wheel that form no part of the claimed design.

**1 Claim, 5 Drawing Sheets**



(56)

References Cited

U.S. PATENT DOCUMENTS

3,767,267	A *	10/1973	Clement	.....	B60B 3/12 301/63.109
D231,656	S *	5/1974	Ishibashi	.....	D12/211
D237,067	S	10/1975	Sandberg		
D238,063	S *	12/1975	Clement	.....	D12/209
D285,676	S	9/1986	Clark		
D316,731	S	5/1991	Tsuchiya		
D333,648	S	3/1993	Schwenk		
D361,546	S *	8/1995	Weld	.....	D12/209
D361,975	S	9/1995	Weld		
D375,285	S *	11/1996	Honer	.....	D12/206
D420,637	S	2/2000	Glade		
6,089,671	A	7/2000	Iacovelli et al.		
D444,118	S	6/2001	Chung		
D459,689	S	7/2002	Hieke		
6,439,670	B1	8/2002	Winters		
D466,067	S	11/2002	Muzzarelli		
D469,728	S	2/2003	Kataoka		
D470,449	S	2/2003	Bernoni		
6,623,086	B1 *	9/2003	Goodman	.....	B60B 3/044 301/63.102
D481,982	S	11/2003	Takechi		
D483,313	S	12/2003	Lenz		
D488,760	S	4/2004	Kato		
D492,234	S	6/2004	Kataoka		
D499,683	S	12/2004	Kushartanto		
D500,006	S	12/2004	Cahyono		
D504,650	S	5/2005	Ishiwata		
D513,218	S	12/2005	Fitgerald		
D524,216	S	7/2006	Scheu		
D530,757	S	10/2006	Jones		
D534,968	S	1/2007	Proch		
D536,293	S	2/2007	Brouillette et al.		
D539,203	S	3/2007	Danbom et al.		
D542,729	S	5/2007	Hieke		
D543,493	S	5/2007	Kim		
D546,264	S	7/2007	Young		
7,246,860	B1	7/2007	Seitz		
D550,600	S	9/2007	Celik		
D569,778	S	5/2008	Kim		
D570,758	S	6/2008	Bhambra		
D579,398	S	10/2008	Kim		
D582,827	S	12/2008	Musser		
D583,292	S	12/2008	Chung		
D587,181	S	2/2009	Musser		
D590,315	S	4/2009	Chung		
D590,322	S	4/2009	Rak		
D597,012	S	7/2009	Chung		
D603,778	S	11/2009	Chung		
D614,108	S	4/2010	Varga		
D617,722	S	6/2010	Zhao		
D619,072	S	7/2010	Gallert		
D620,864	S	8/2010	Groom		
D627,698	S	11/2010	Zhang		
D628,135	S	11/2010	Zhao		
D633,028	S	2/2011	Kim		
D636,319	S	4/2011	Toth		
D639,220	S	6/2011	Zhao		
D639,221	S	6/2011	Johnson		
D662,021	S *	6/2012	Grossenbacher	.....	D12/209
D662,868	S	7/2012	Furst et al.		
D663,668	S	7/2012	Pollmann		
D670,227	S	11/2012	Chung		
D671,875	S	12/2012	Camacho et al.		
D680,938	S	4/2013	Hale, Jr.		
D688,188	S	8/2013	Baum		
D697,008	S	1/2014	Juergens et al.		
D697,010	S	1/2014	Lorinser		
D705,154	S	5/2014	Harriton		
D719,893	S	12/2014	Kim		
D722,937	S	2/2015	Johnson		
D725,567	S	3/2015	George et al.		
D726,620	S	4/2015	Lickliter		
D727,822	S	4/2015	Wheel		
D727,829	S	4/2015	Chung		
D729,721	S	5/2015	Fahr-Becker		
D730,799	S	6/2015	Hans et al.		
D733,025	S	6/2015	Chung		
D741,240	S	10/2015	Melabiotis et al.		
D743,315	S	11/2015	Perini		
D753,048	S	4/2016	Chan		
D753,571	S	4/2016	Juergens et al.		
D769,169	S	10/2016	Kumeya et al.		
D769,785	S	10/2016	Wells		
D775,576	S	1/2017	Liffick		
D780,654	S	3/2017	Gallert		
D780,656	S	3/2017	Bjerke		
D783,495	S	4/2017	Hale, Jr.		
D784,238	S	4/2017	Chu et al.		
D784,462	S	4/2017	Barajas et al.		
D787,407	S	5/2017	Chung		
D788,670	S	6/2017	Chung		
D790,427	S	6/2017	Palana		
D791,057	S	7/2017	Johnson		
D791,668	S	7/2017	Murase		
D796,407	S	9/2017	Krause		
D797,029	S	9/2017	Chung		
D799,394	S	10/2017	Yamashita		
D801,253	S	10/2017	Taylor		
D802,685	S	11/2017	Barajas et al.		
D803,130	S	11/2017	Taylor		
D805,455	S	12/2017	Kong		
D805,990	S	12/2017	Mizutani		
D806,628	S	1/2018	Schell et al.		
D810,648	S	2/2018	Chung		
D824,314	S	7/2018	Chung		
D828,462	S	9/2018	Sprowl		
D828,878	S	9/2018	Sprowl		
D829,152	S	9/2018	Caldwell		
D833,942	S	11/2018	Chung		
D842,205	S	3/2019	Kraljevic		
D842,795	S	3/2019	Groth		
D845,861	S	4/2019	Tran		
D849,645	S	5/2019	Khachatryan		
D849,654	S	5/2019	Kong		
D849,657	S	5/2019	Kong		
D851,183	S	6/2019	Wood et al.		
D855,002	S	7/2019	Ranum		
D856,249	S	8/2019	Haney		
D856,893	S	8/2019	Ramthun		
D860,905	S	9/2019	Tran		
D862,612	S	10/2019	Sprowl et al.		
D865,080	S	10/2019	Sprowl et al.		
D865,621	S	11/2019	Han		
D883,168	S	5/2020	Sempek		
D887,938	S	6/2020	Stone et al.		
D889,565	S	7/2020	Sprowl		
D889,566	S	7/2020	Ewing et al.		
D896,151	S	9/2020	Piscitelli		
D896,725	S	9/2020	Valencia Pollex		
D897,452	S	9/2020	Lin		
D902,821	S	11/2020	Lickliter		
D902,822	S	11/2020	Carbis et al.		
D906,938	S	1/2021	Sempek		
D909,269	S	2/2021	Fanizza		
D910,524	S	2/2021	Han		
D913,894	S	3/2021	Lee		
D913,897	S	3/2021	VanRyn		
D917,368	S	4/2021	Kaneko et al.		
D921,772	S	6/2021	Hagler et al.		
D921,773	S	6/2021	Hagler et al.		
D922,295	S	6/2021	Grand et al.		
D926,099	S	7/2021	Yeh		
D926,265	S	7/2021	Ewing et al.		
D930,087	S	9/2021	Barajas et al.		
D933,571	S	10/2021	Patel		
D936,556	S	11/2021	Sempek		
D937,736	S	12/2021	Podlovits		
D938,528	S	12/2021	Lin		
D941,728	S	1/2022	Kleinschuster et al.		
D942,348	S	2/2022	Kleinschuster et al.		
D944,335	S *	2/2022	Sprowl	.....	D21/563
D961,481	S	8/2022	Tran		
D969,702	S	11/2022	Sempek		

(56)

**References Cited**

## U.S. PATENT DOCUMENTS

D995,392 S	8/2023	Narciso
D997,820 S	9/2023	Ricehouse
D997,831 S	9/2023	Harriton et al.
D997,832 S	9/2023	Ricehouse
D1,009,747 S	1/2024	Williams
D1,014,385 S	2/2024	Collins et al.
D1,017,499 S	3/2024	Han
2007/0018496 A1	1/2007	McCorquodale
2017/0080350 A1	3/2017	Allmendinger et al.
2020/0247179 A1	8/2020	Christensen et al.
2021/0291586 A1	9/2021	Wallace et al.

## FOREIGN PATENT DOCUMENTS

CN	200530094761	*	7/2006
CN	304967598		12/2018
CN	305062663		3/2019
DE	402017100863-0001		7/2018
EM	005817137-0004		11/2018
GB	9007076641-0001		10/2019
GB	6258137		2/2023
GB	6291772	*	7/2023
GB	6339198	*	1/2024
JP	D1642070		9/2019
TW	D114104 S		12/2006
TW	D141989 S		8/2011
TW	D143556 S		11/2011
WO	2021046302 A1		3/2021

## OTHER PUBLICATIONS

YouTube, posted Feb. 15, 2023 [online], [retrieved Apr. 16, 2024]. Retrieved from internet, [https://www.youtube.com/watch?v=CnKSmAJ\\_nCc](https://www.youtube.com/watch?v=CnKSmAJ_nCc) (Year: 2023).\*

Euro RC, posting date N/A [online], [retrieved Apr. 16, 2024]. Retrieved from internet, <https://www.eurorc.com/product/32902/pro-line-slot-mag-drag-spec-2230-grey-rear-wheels---sc-drag---2> (Year: 2024).\*

US Mags, posting date N/A [online], [retrieved Apr. 16, 2024]. Retrieved from internet, <https://www.us-mags.com/us-mag-1pc-indy> (Year: 2024).\*

Dancing Bear, posting date N/A [online], [retrieved Apr. 16, 2024]. Retrieved from internet, <https://www.dancingbearscaledcomponents.com/125-slot-car-racing-wheels/125-slot-car-alpha-1-wheels-warzh-9p9gd-p5aec-x5cks> (Year: 2024).\*

Slot Car Racing Wheel Store, posted xx/xx/xx [online], [retrieved Nov. 14, 2023]. Retrieved from internet, <https://www.dancingbearscaledcomponents.com/125-slot-car-racing-wheels> (Year: 2023).

Vbestlife RC Car Tires, 4 Pcs RC Vehicle Wheels Rims, posted May 9, 2022 [online], [retrieved Nov. 14, 2023]. Retrieved from internet, <https://www.amazon.com/Vbestlife-Vehicle-Wheels-Aluminum-Titanium/dp/B09ZV43LPB/> (Year: 2022).

KMD XD Series XD228 Machete Desert Beadlock Machined Custom Wheels Rims; <http://www.customwheelsexpress.com/custom-wheels-by-brand-xd-series-by-kmc-kmc-xd-series-xd228-machete-desert-beadlock-machined-custom-wheels-rims-p-2930.html>; Aug. 2016.

MSA M21 Lok (Beadlock); <https://msawheels.com/wheels/m21-lok/>; Aug. 2016.

OMF Performance Products; Beadlocked Wheels; [https://www.omfperformance.com/beadlocked\\_wheels\\_uq.php](https://www.omfperformance.com/beadlocked_wheels_uq.php); Aug. 2016.

Taiwan IPO Search Report; completed Aug. 4, 2016; regarding Taiwan Design Patent Application No. 105301436.

Zach, "Tires not glued the best," Aug. 25, 2018 (review with photo), amazon.com, site visited Dec. 13, 2021, URL: <https://www.amazon.com/Traxxas-Raptor-Slash-GOODRICH-Wheels/dp/B00ERU9RN0> (Year: 2018).

Andy Dunkin, "Great tires for the money," Apr. 12, 2019 (review with photo), amazon.com, site visited Dec. 13, 2021, URL: [https://www.amazon.com/Traxxas-Goodrich-Terrain-Pre-Glued-Beadlock-Style/dp/B002U5BPPM/ref=sr\\_1\\_49?keywords=traxxas+maxx+tires&qid=1639427729&sr=8-49](https://www.amazon.com/Traxxas-Goodrich-Terrain-Pre-Glued-Beadlock-Style/dp/B002U5BPPM/ref=sr_1_49?keywords=traxxas+maxx+tires&qid=1639427729&sr=8-49) (Year: 2019).

Rick, "Great wheels!" Jan. 24, 2019 (review with photo), amazon.com, site visited Dec. 14, 2021, URL: <https://www.amazon.com/dp/B07MH4GW4G/?th=1> (Year: 2019).

"Hot Rods by Boyd," Apr. 13, 2015, facebook.com, site visited Dec. 14, 2021, URL: <https://www.facebook.com/HOTRODSBYBOYD/photos/810287932358862> (Year: 2015).

Dave Arnouts, "This LT-Powered 1957 Chevy Built By BRP HotRods Is More Than Cool," Oct. 13, 2017, chevyhardcore.com, site visited Dec. 14, 2021, URL: <https://www.chevyhardcore.com/news/this-lt-powered-1957-chevy-built-by-brp-hotrods-is-more-than-cool/> (Year: 2017).

"Traxxas 8472 Desert Racer Wheels," May 16, 2018, amazon.ca, site visited Dec. 14, 2021, URL: [https://www.amazon.ca/Traxxas-8472-Desert-Wheels-Bfgoodrich/dp/B07B6TS9B2/ref=sr\\_1\\_75?keywords=traxxas+wheels&qid=1639489322&sr=8-75](https://www.amazon.ca/Traxxas-8472-Desert-Wheels-Bfgoodrich/dp/B07B6TS9B2/ref=sr_1_75?keywords=traxxas+wheels&qid=1639489322&sr=8-75) (Year: 2018).

"Hot Rods by Boyd," Aug. 26, 2019, facebook.com, site visited Dec. 14, 2021, URL: <https://www.facebook.com/HOTRODSBYBOYD/photos/2365060463548260> (Year: 2019).

Traxxas XRT 8S Extreme 4WD Brushless RTR Race Monster Truck (Green) w/TQi 2.4GHz Radio & TSM, as shown in www.hobbytown.com, Nov. 18, 2022, Part # TRA78086-4-GRN. (Year: 2022).

Traxxas XRT Wheels (Race Black) (2), as shown in www.hobbytown.com, May 22, 2023, Part # TRA7874. (Year: 2023).

XRT, X-Maxx, Belted Tires, Wheels, as shown in www.amazon.com, Dec. 27, 2023, ASIN B0CR1YVL7D. (Year: 2023).

Traxxas Method 105 1.9" Beadlock Wheels (Black Chrome) (2), as shown in www.hobbytown.com, Jun. 15, 2018, Part # TRA8173. (Year: 2018).

Vanquish Products Method 105 1.9" Beadlock Crawler Wheels (Black/Silver) (2), as shown in www.hobbytown.com, Mar. 28, 2016, Part # VPS07911. (Year: 2016).

RCAWD Full Brass 1.0 Beadlock Wheel Rim & Wheel Lock Nut for Axial 1/24 SCX24 AX24 Upgrades Part, as shown in www.amazon.com, no date listed, date found Jun. 24, 2024, ASIN B0D2DFR1FM. (Year: 2024).

RT51 Black Daytona Beadlock, as shown in www.racelinewheels.com, no date listed, date found Jun. 24, 2024. (Year: 2024).

Method Race Wheels, MR305 NV, as shown in www.discounttire.com, no date listed, date found Jun. 24, 2024. (Year: 2024).

Injora 1.3 Beadlock Wheel Rims—Aluminum Wheel Rims 23g for SCX24 TRX4M Upgrade 1/24 1/18 RC Crawler Car (Black), as shown in www.amazon.com, Feb. 8, 2024, ASIN B0CQ8FS58X. (Year: 2024).

Crazyhobby, Aluminum 1.9 Beadlock Wheels and Tires for Traxxas TRX4 Axial SCX10 II III RR10 Wraith Redcat Gen 8 Gen 7 RC4WD 1/10 Scale RC Crawler Rocks Mud (Color 3), as shown in www.amazon.com, Aug. 30, 2022, ASIN B0BCHSXM3M. (Year: 2022).

Globact Aluminum 1.9 Inch Beadlock Wheels RC Wheel Rim Set Wheel Hub for 1/10 RC Crawler TRX4 TRX6 Axial SCX10 I II III 90046 AXI103007 Redcat GEN7 GEN8 RC4WD D90 12mm Hex (4Pcs Black Grey), as shown in www.amazon.com, Jul. 4, 2022, ASIN B09WHLLJ29. (Year: 2022).

\* cited by examiner

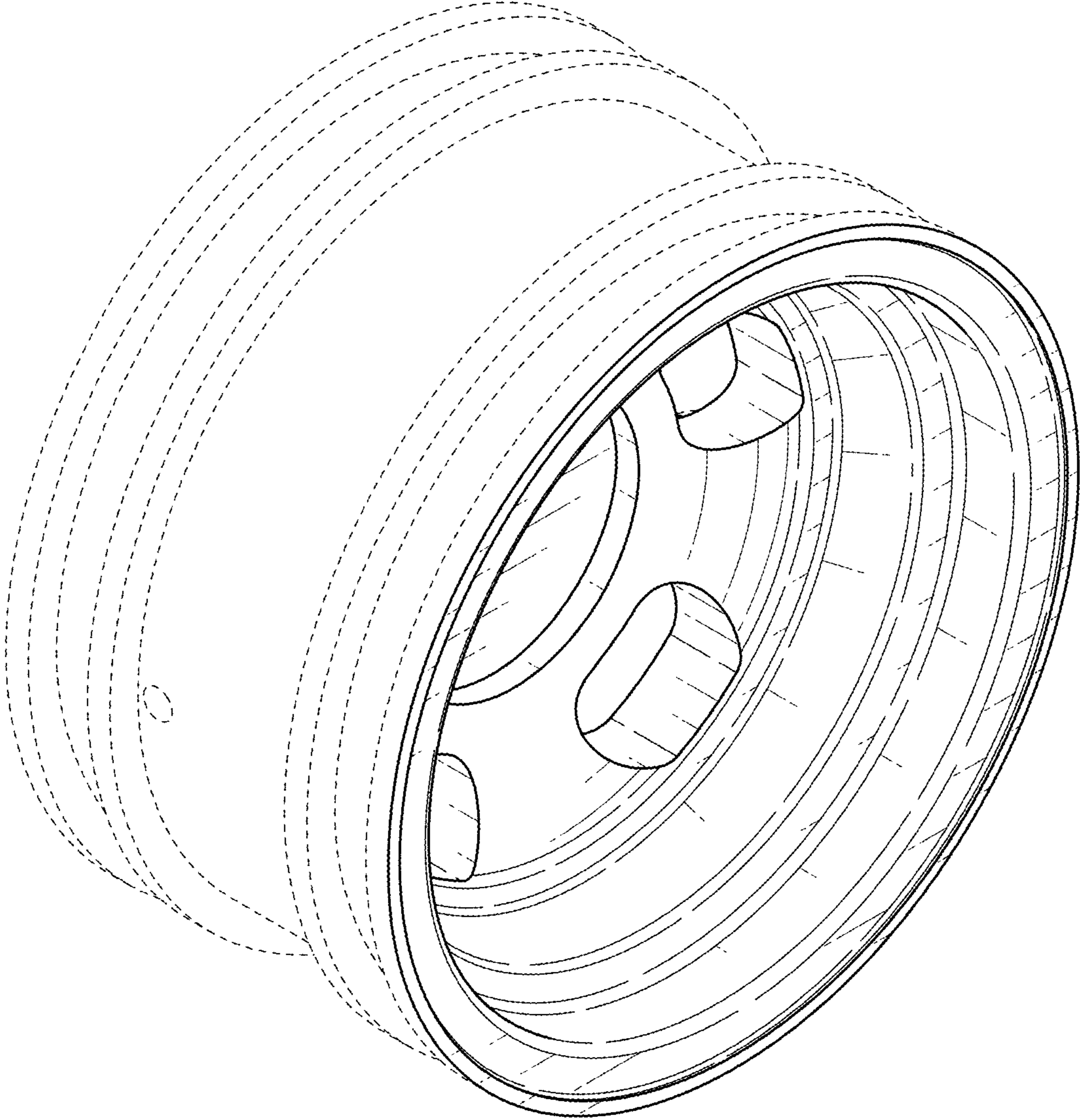


FIG. 1

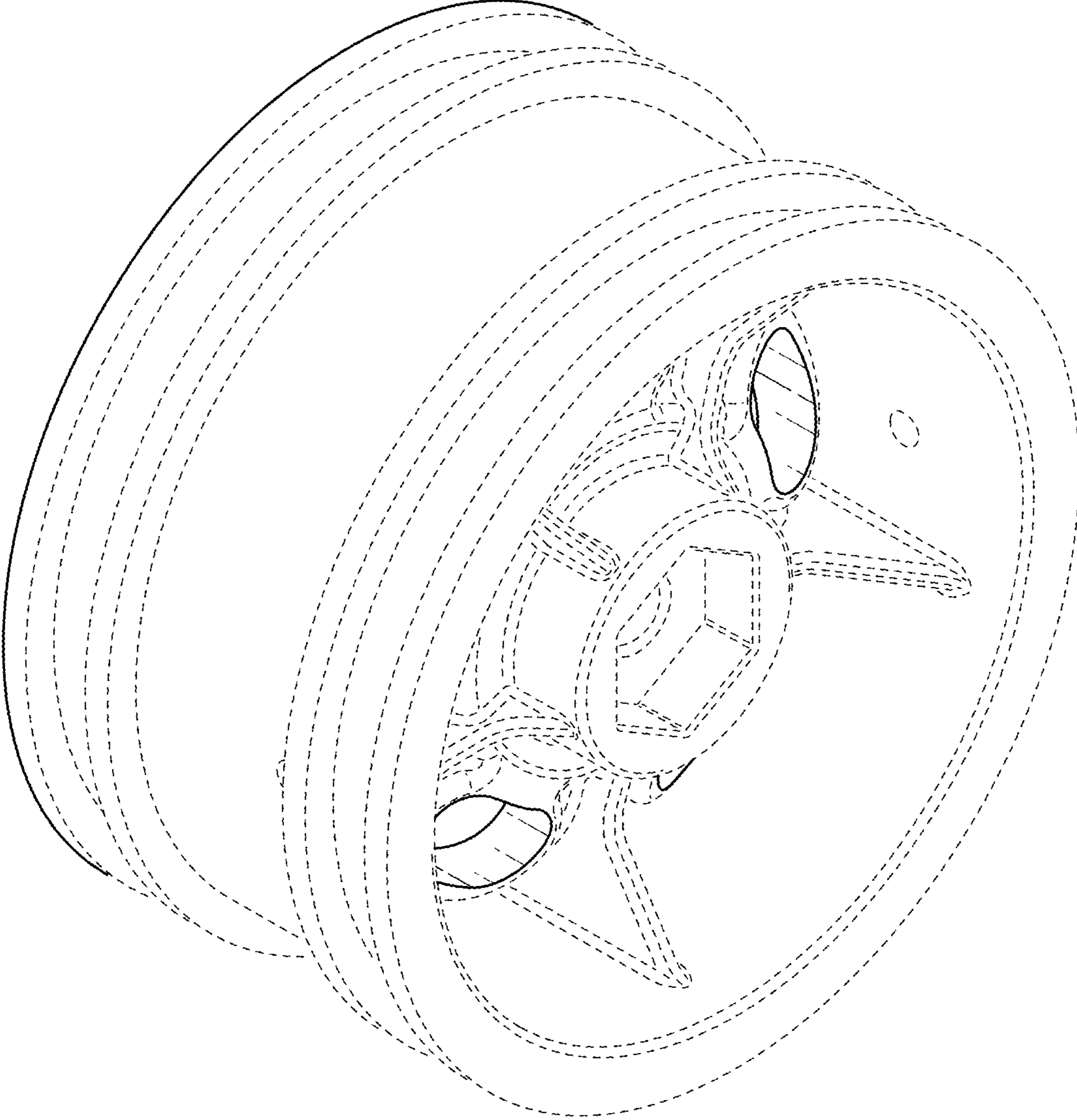


FIG. 2

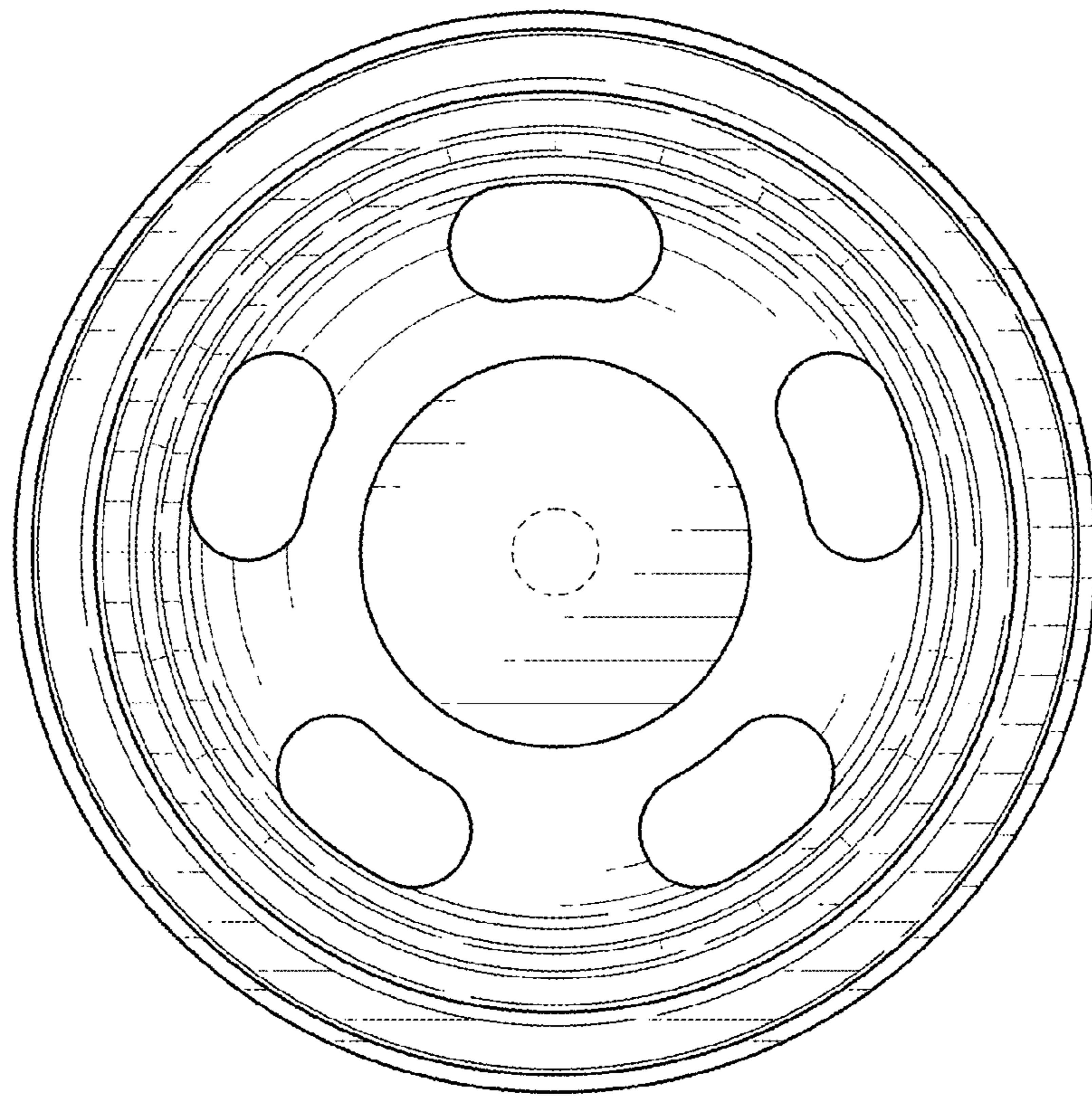


FIG. 3

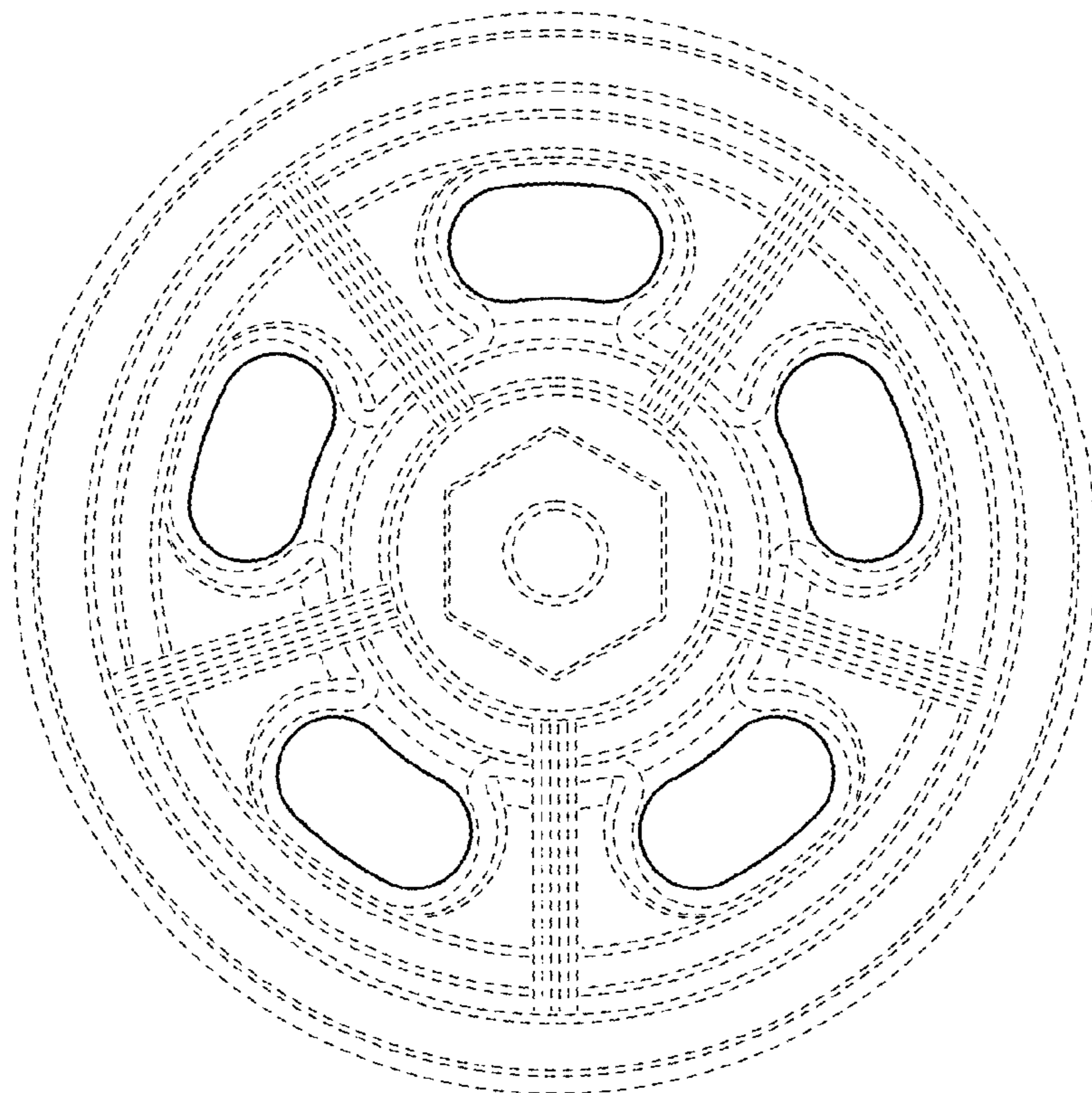


FIG. 4

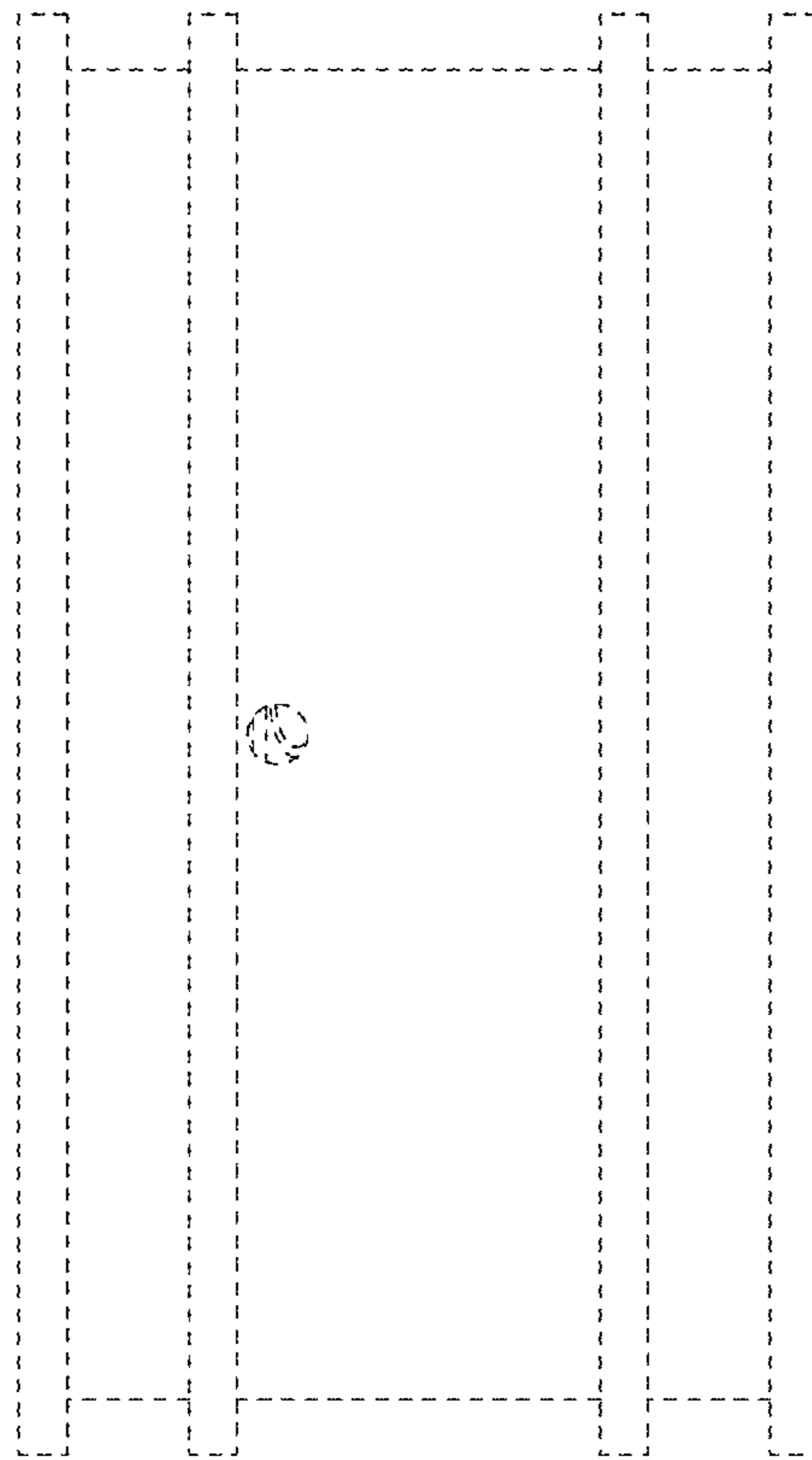


FIG. 5

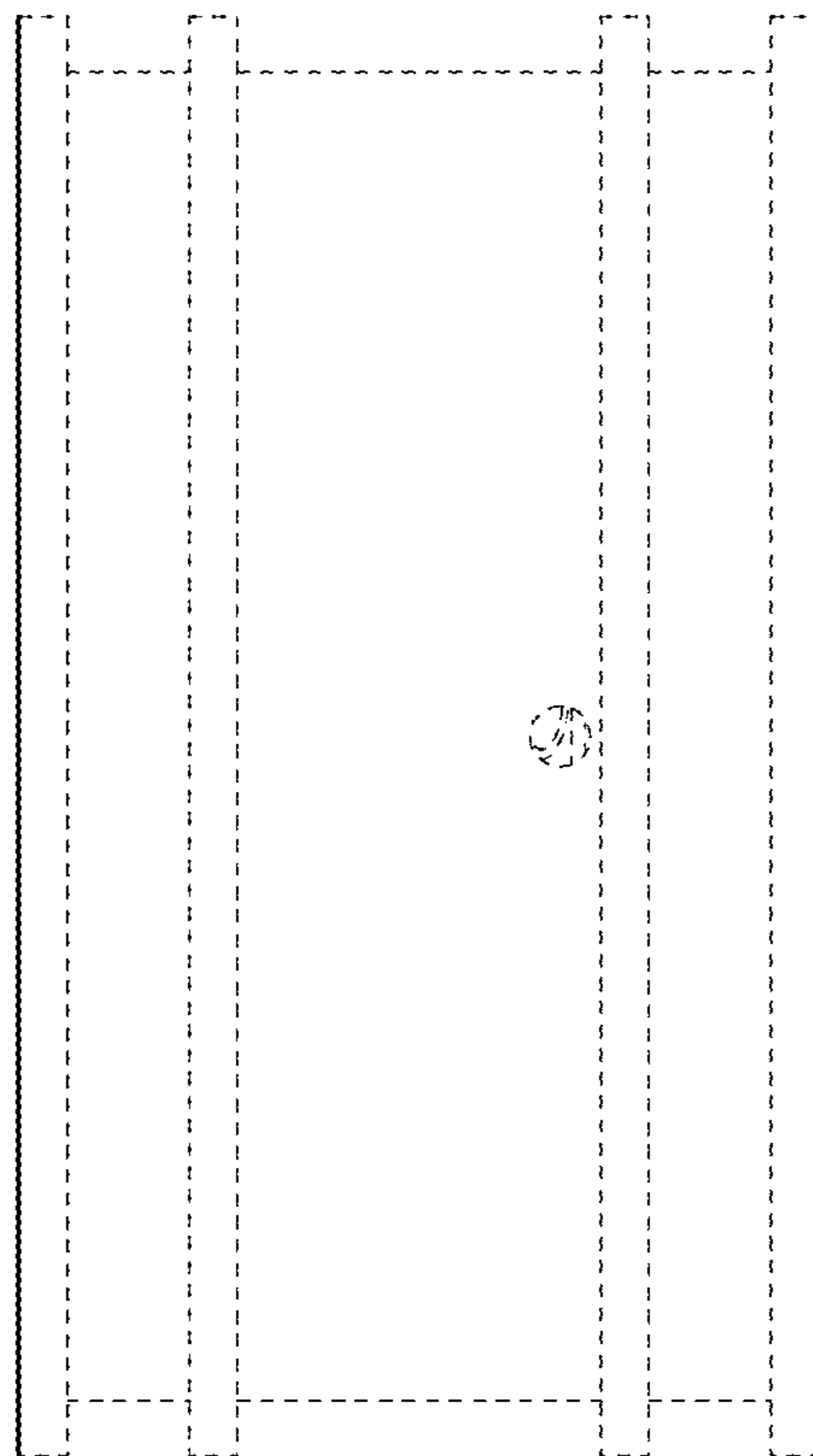


FIG. 6

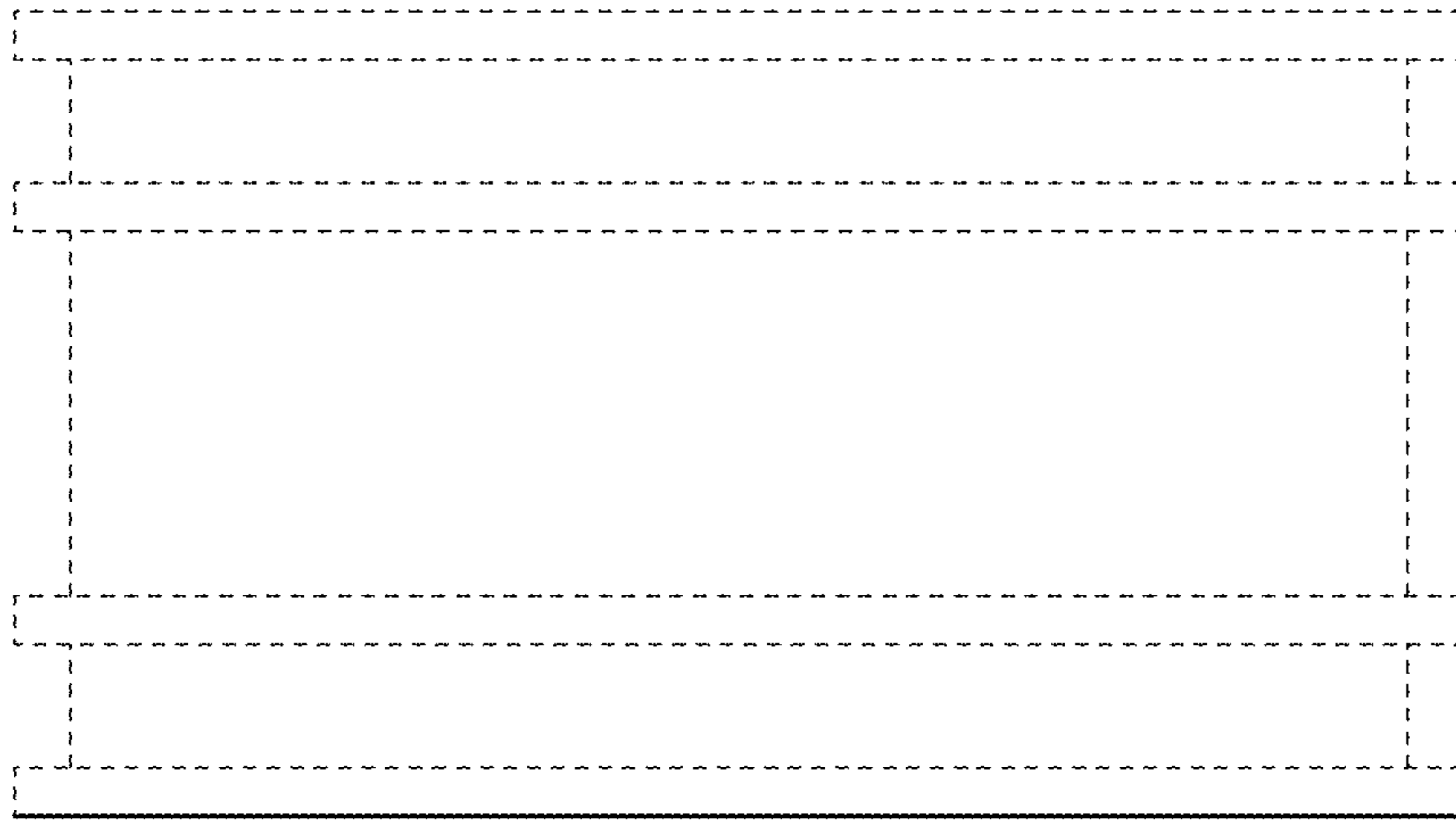


FIG. 7

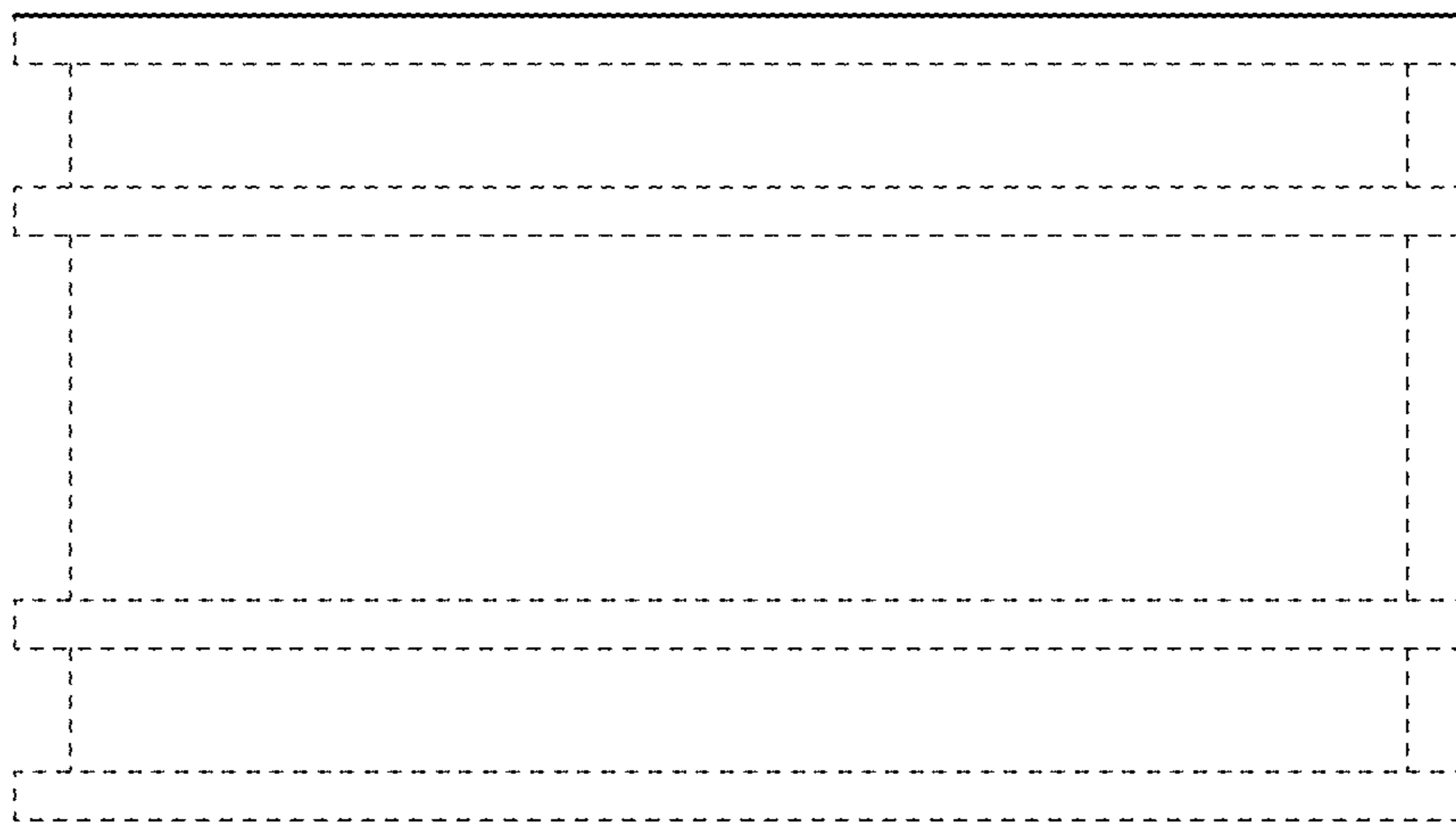


FIG. 8