



US0D1059427S

(12) **United States Design Patent**
Mowdy

(10) **Patent No.: US D1,059,427 S**

(45) **Date of Patent: ** Jan. 28, 2025**

(54) **RECEIVER CONFIGURATION FOR A BOTTLING MACHINE**

(71) Applicant: **M&M Machinery Services, Inc.**, Fort Worth, TX (US)

(72) Inventor: **Alton W. Mowdy**, Fort Worth, TX (US)

(73) Assignee: **M&M Machinery Services, Inc.**, Fort Worth, TX (US)

(**) Term: **15 Years**

(21) Appl. No.: **29/851,486**

(22) Filed: **Aug. 29, 2022**

Related U.S. Application Data

(62) Division of application No. 29/795,581, filed on Jun. 18, 2021, now Pat. No. Des. 965,652, which is a division of application No. 29/680,459, filed on Feb. 15, 2019, now Pat. No. Des. 924,284, which is a division of application No. 29/597,122, filed on Mar. 14, 2017, now Pat. No. Des. 846,608.

(51) **LOC (15) Cl.** **15-09**

(52) **U.S. Cl.**
USPC **D15/138**

(58) **Field of Classification Search**
USPC D8/349, 354, 356; D13/155; D15/122, D15/138; D23/259, 260, 262-266
CPC B41J 3/543; B41J 3/4073; B41J 11/002; B65B 31/04; B67C 3/2614; B67C 2003/2602; B67C 2003/2668; B67C 2003/2674; F16L 37/252
See application file for complete search history.

(56) **References Cited**

U.S. PATENT DOCUMENTS

1,140,514 A 5/1915 Haverstick
2,389,672 A 11/1945 Lippold

2,797,110 A 6/1957 Covington
3,450,175 A 6/1969 Norwood
3,640,465 A 2/1972 Hicks
3,736,966 A 6/1973 Dichiaro
3,858,910 A 1/1975 Oetiker
4,049,030 A 9/1977 Abramoska
4,301,727 A * 11/1981 Bardin B41N 1/06
101/401.1

(Continued)

FOREIGN PATENT DOCUMENTS

CN 102701130 10/2012
DE 872017 3/1953

(Continued)

Primary Examiner — Patricia A Palasik

(74) *Attorney, Agent, or Firm* — Fitch, Even, Tabin & Flannery, LLP

(57) **CLAIM**

The ornamental design for a receiver configuration for a bottling machine as shown and described.

DESCRIPTION

FIG. 1 is a bottom perspective view of a receiver configuration for a bottling machine in accordance with an embodiment of my new design.

FIG. 2 is a top perspective view thereof.

FIG. 3 is a front elevation view thereof.

FIG. 4 is a left side elevation view thereof.

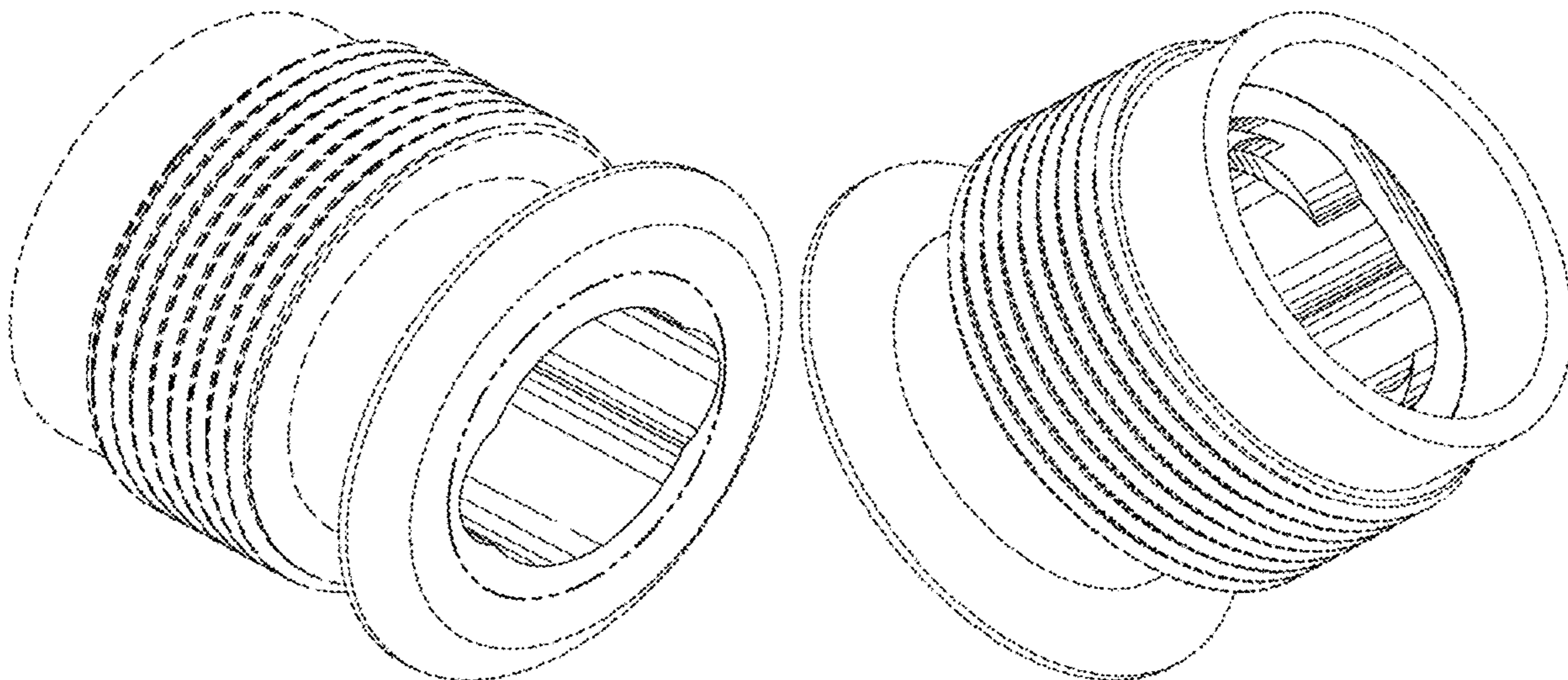
FIG. 5 is a top view thereof; and,

FIG. 6 is a bottom view thereof.

The rear and right-side elevation views are omitted as they are mirror images of the front and left side elevation views, respectively.

The broken lines in the drawings depict portions of the receiver configuration for a bottling machine which form no part of the claimed design.

1 Claim, 5 Drawing Sheets



(56)

References Cited

U.S. PATENT DOCUMENTS

4,335,761 A * 6/1982 Peronek B67C 3/26
 141/371
 5,085,255 A * 2/1992 LaWarre, Sr. B67C 3/28
 141/147
 5,425,558 A 6/1995 Dennany
 5,878,797 A 3/1999 Manuel
 6,634,679 B1 10/2003 Stieler
 7,523,771 B2 4/2009 Stavrakis
 7,647,950 B2 1/2010 Clusserath
 8,887,762 B2 11/2014 Densel
 9,670,046 B2 6/2017 Clusserath
 D846,608 S 4/2019 Mowdy
 10,913,645 B2 2/2021 Mowdy
 D924,284 S 7/2021 Mowdy
 D965,652 S * 10/2022 Mowdy D15/138
 2011/0290375 A1 12/2011 Hertz
 2012/0006419 A1* 1/2012 Richardson F16L 37/252
 137/15.01
 2012/0174529 A1 7/2012 Clusserath
 2012/0227225 A1 9/2012 Bielmeier
 2013/0105041 A1 5/2013 Krulitsch

2013/0112315 A1 5/2013 Clusserath
 2014/0208699 A1 7/2014 Reiniger
 2015/0191260 A1 7/2015 Cook
 2015/0217983 A1 8/2015 Clusserath
 2017/0191595 A1* 7/2017 Van Scyoc F16L 29/04
 2017/0268709 A1 9/2017 Gibson
 2017/0276279 A1 9/2017 Mowdy
 2017/0299100 A1* 10/2017 Leffler F16L 37/107
 2018/0031158 A1* 2/2018 Gaspar F16L 33/225
 2018/0128406 A1* 5/2018 Kozicz F16L 37/252
 2018/0128407 A1* 5/2018 Neal F16L 37/252

FOREIGN PATENT DOCUMENTS

DE 202006009923 7/2007
 DE 202007014205 9/2008
 DE 102011075237 A1 11/2012
 DE 102012005461 9/2013
 DE 202012012913 U1 4/2014
 EP 2930140 1/2017
 GB 931498 7/1963
 GB 2332195 6/1999
 WO 2013139413 9/2013

* cited by examiner

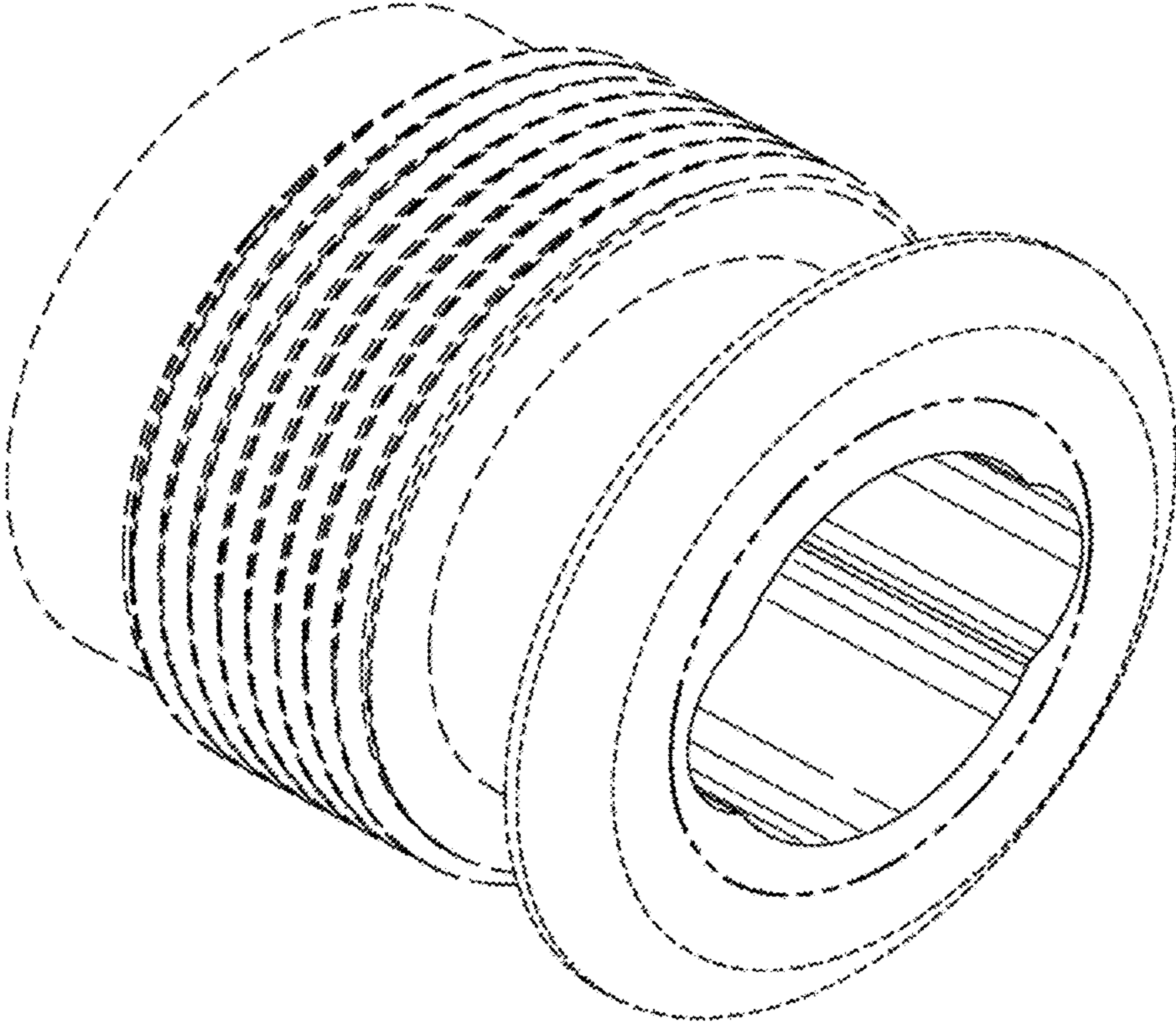


FIG.1

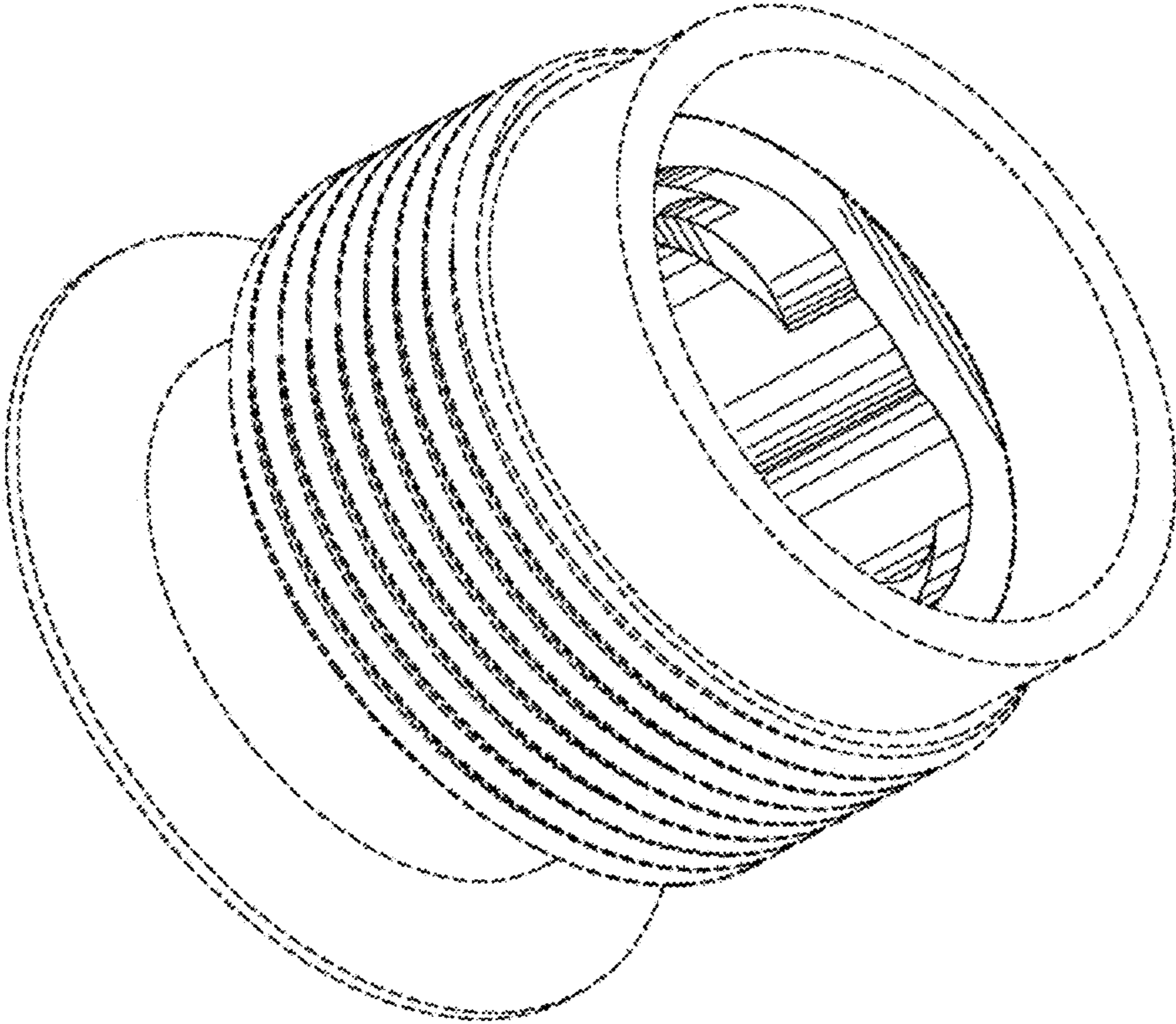


FIG.2

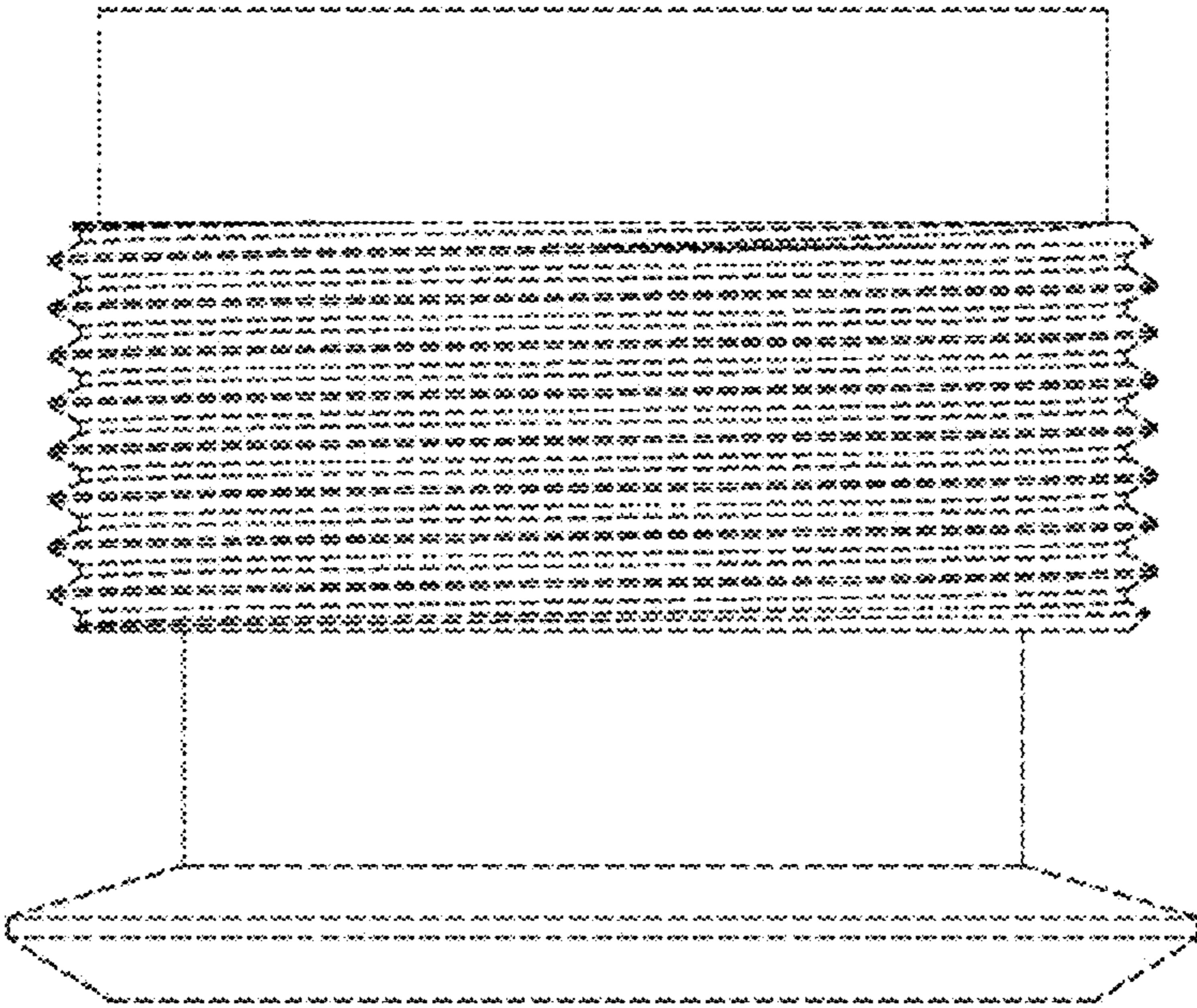


FIG. 3

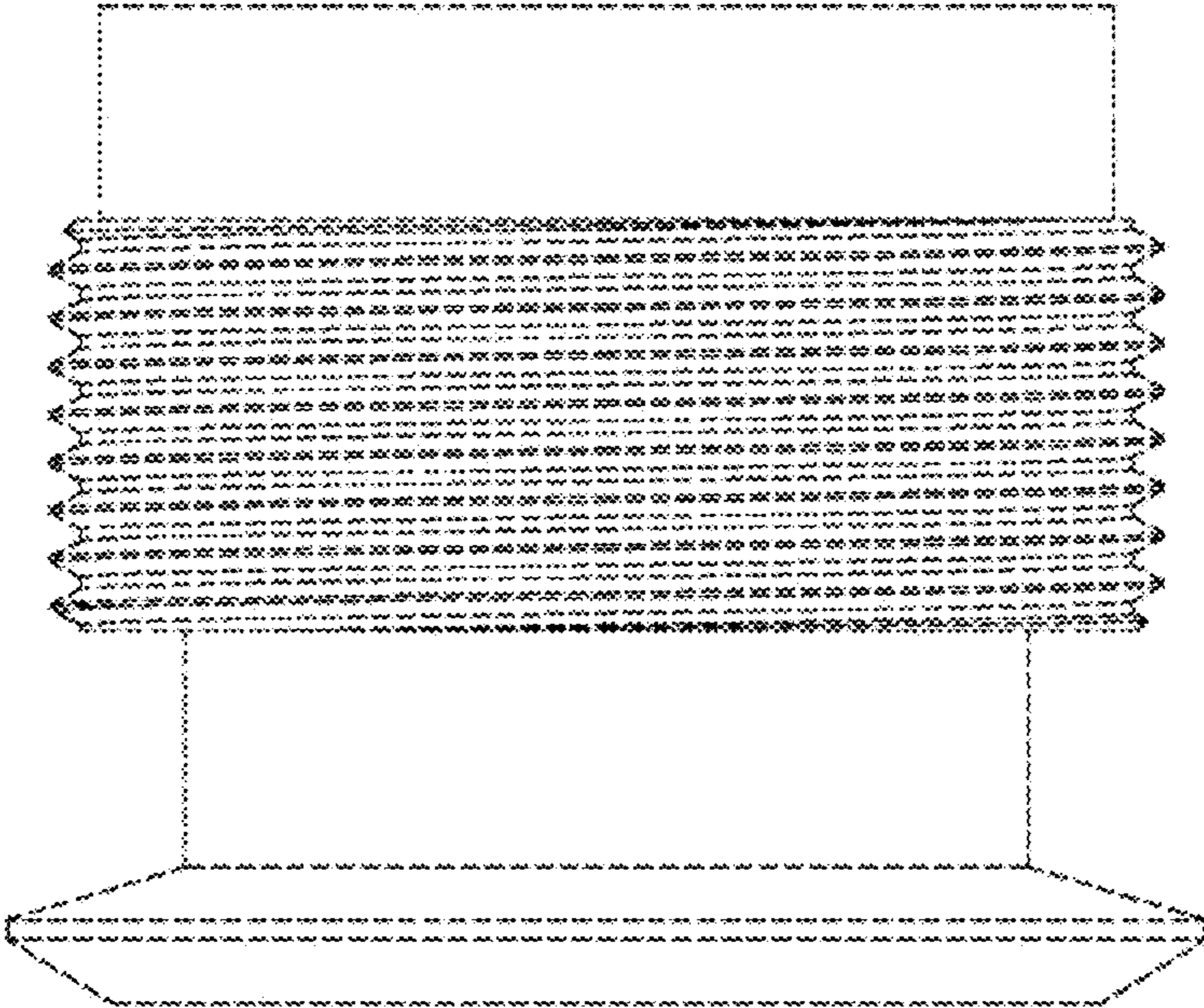


FIG. 4

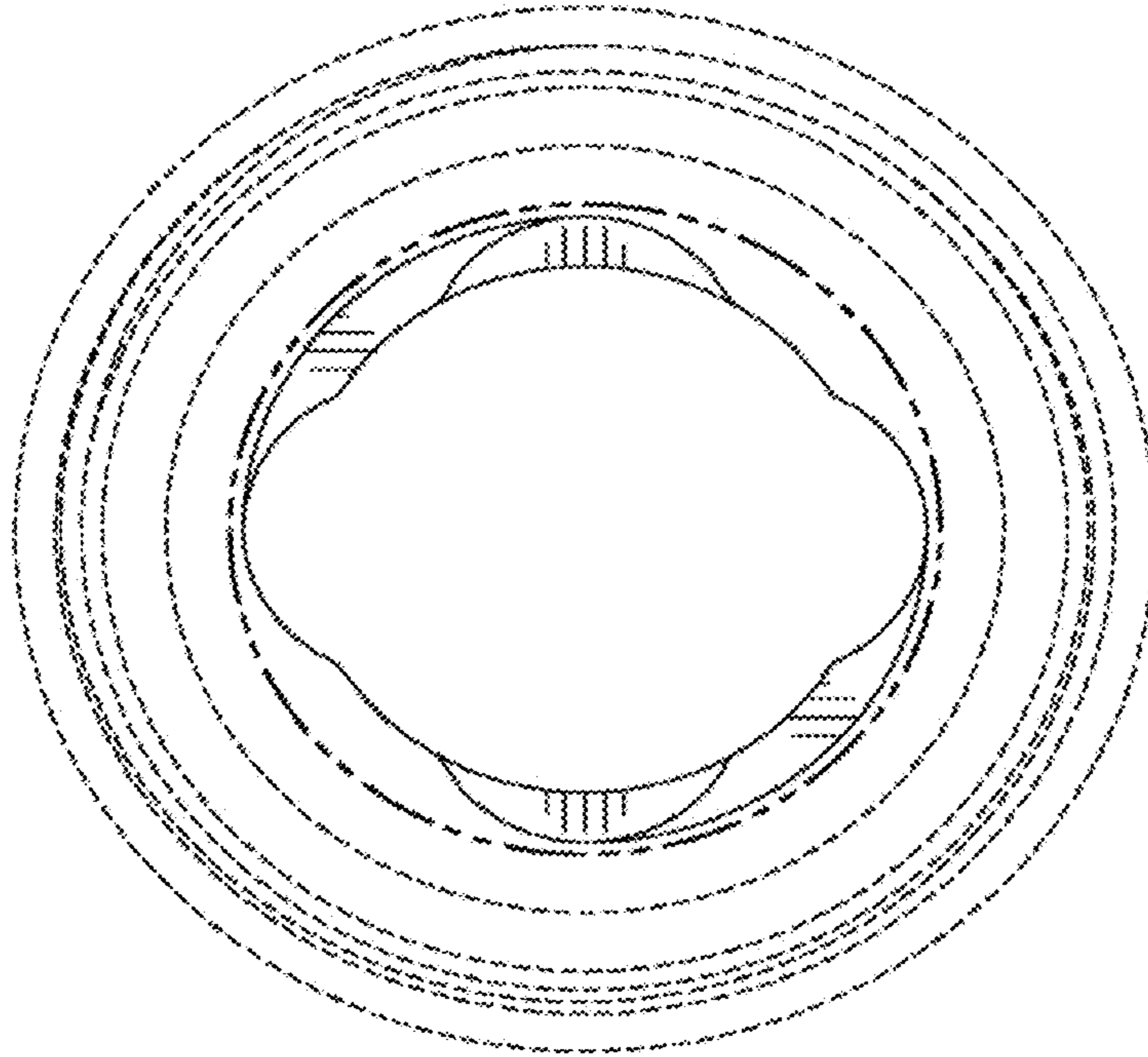


FIG. 5

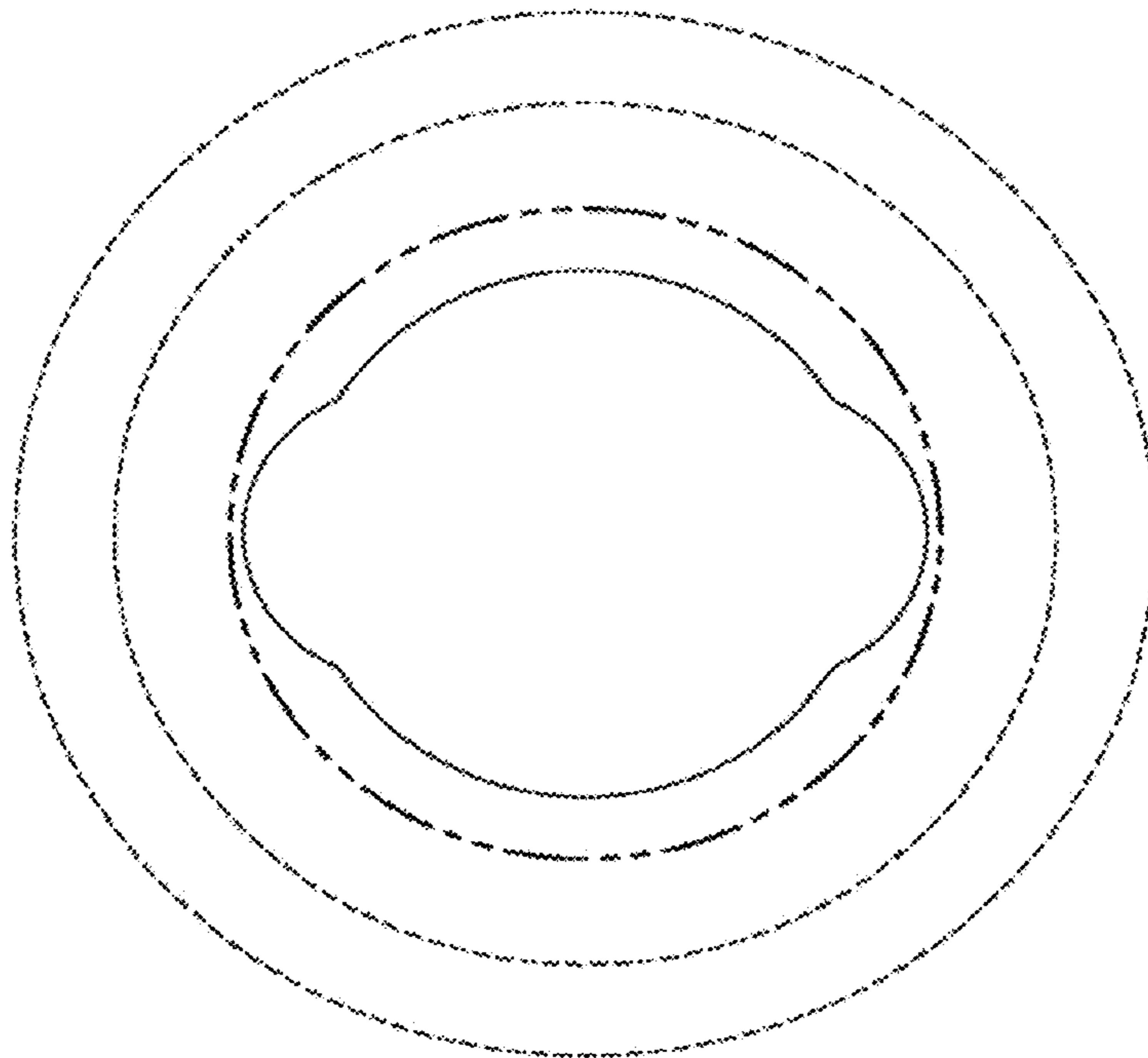


FIG. 6