



US0D1059278S

(12) **United States Design Patent**  
**Reister**

(10) **Patent No.: US D1,059,278 S**

(45) **Date of Patent: \*\* Jan. 28, 2025**

(54) **COMBINED DRESSER VALET AND CHARGING STATION**

(71) Applicant: **The Modern Gentleman, Inc.**, Plano, TX (US)

(72) Inventor: **Richard James Reister**, Plano, TX (US)

(73) Assignee: **THE MODERN GENTLEMAN, INC.**, Plano, TX (US)

(\*\*) Term: **15 Years**

(21) Appl. No.: **29/865,915**

(22) Filed: **Aug. 19, 2022**

(51) **LOC (15) Cl.** ..... **13-02**

(52) **U.S. Cl.**  
USPC ..... **D13/108; D3/295**

(58) **Field of Classification Search**  
USPC ..... D13/103, 104, 105, 106, 107, 108, 110, D13/112, 113, 114, 116, 118, 119, 122,  
(Continued)

(56) **References Cited**

U.S. PATENT DOCUMENTS

D4,841 S \* 4/1871 Farmer ..... D6/667  
D475,197 S \* 6/2003 Stoddard ..... D3/291  
(Continued)

OTHER PUBLICATIONS

“Juvale Faux Leather Mens Jewelry Box Organizer, Valet Tray for Watches (Black, 12.6×9×4 In)”, first available Jun. 1, 2020. Amazon.com [<https://www.amazon.com/dp/B089GKKHFN>] (Year: 2020).\*  
(Continued)

*Primary Examiner* — Rosemary K Tarcza

*Assistant Examiner* — Seth David Kumpf

(74) *Attorney, Agent, or Firm* — Slater Matsil, LLP

(57) **CLAIM**

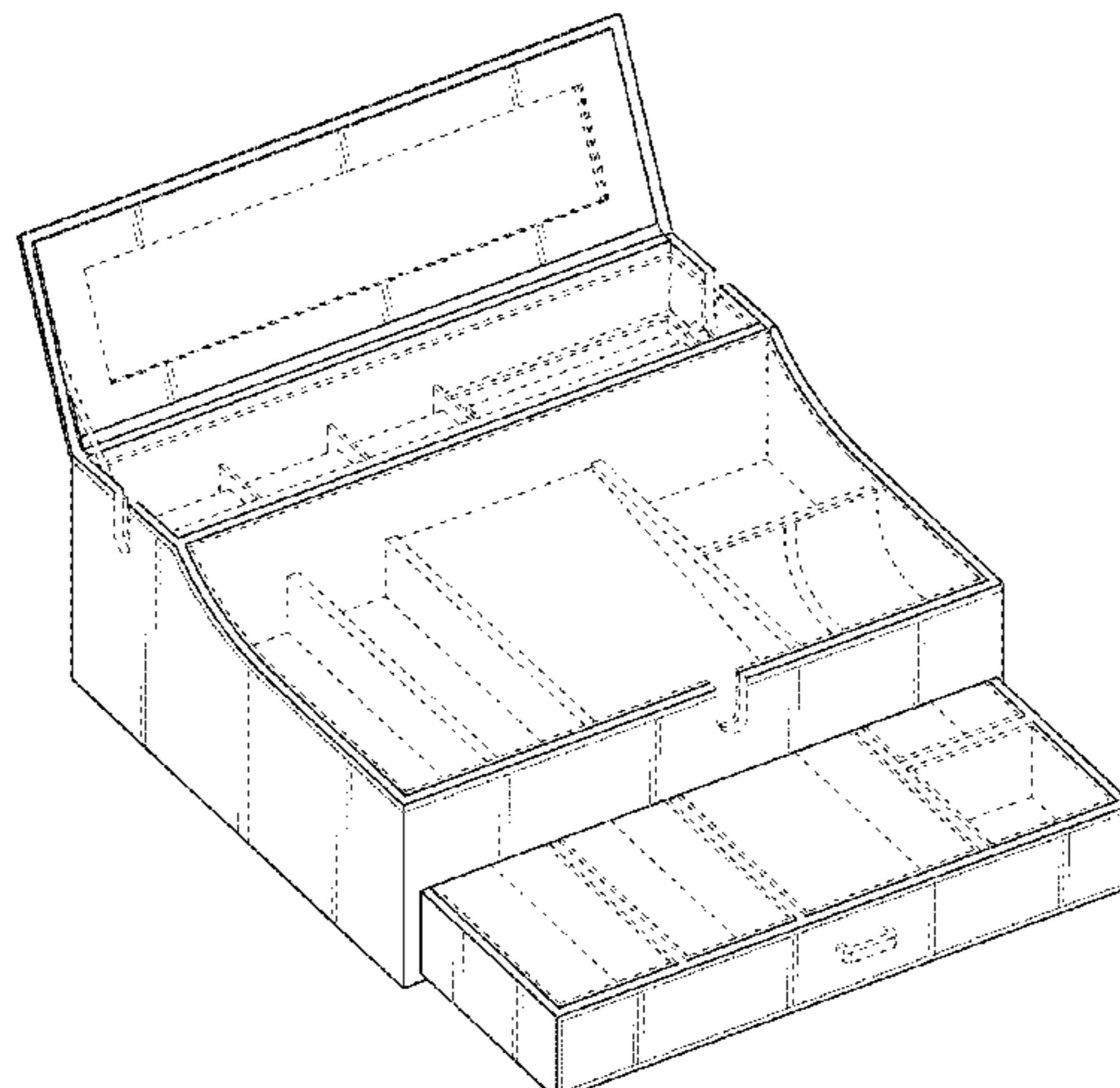
The ornamental design for a combined dresser valet and charging station, as shown and described.

**DESCRIPTION**

FIG. 1 is a perspective view of a combined dresser valet and charging station showing the new design with a lid in an open position and a front drawer in an open position; FIG. 2 is a perspective view of the combined dresser valet and charging station of FIG. 1 with the lid in the open position and the front drawer in a closed position; FIG. 3 is a front perspective view of the combined dresser valet and charging station of FIG. 1 with the lid in a closed position and the front drawer in the open position; FIG. 4 is a right perspective of the combined dresser valet and charging station of FIG. 1 with the lid in the closed position and the front drawer in a partially open position; FIG. 5 is a partial right side perspective view of the combined dresser valet and charging station of FIG. 1 with the lid in the closed position and a side drawer in an open position; FIG. 6 is a front elevational view of the of the combined dresser valet and charging station of FIG. 1 with the lid in the open position; FIG. 7 is a rear elevational view of the of the combined dresser valet and charging station of FIG. 1 with the lid in the open position and the side drawer in a closed position; FIG. 8 is a right side elevational view of the combined dresser valet and charging station of FIG. 1 with the lid in the open position; FIG. 9 is a left side elevational view of the combined dresser valet and charging station of FIG. 1 with the lid in the open position; FIG. 10 is a top plan view of the combined dresser valet and charging station of FIG. 1 with the lid in the open position; and, FIG. 11 is a bottom side elevational view of the combined dresser valet and charging station of FIG. 1 with the lid in the open position.

The broken-line disclosure of elements is understood to represent portions of the article in which the design is embodied, but which form no part of the claimed design.

(Continued)



The present disclosure also covers the mirror image of the design as illustrated in the Figures.

1 Claim, 11 Drawing Sheets

(58) Field of Classification Search

USPC ..... D13/184, 199; D6/662, 662.1, 663, 667, D6/671; D3/295, 296, 297  
CPC .. H02J 50/00; H02J 50/10; H02J 50/12; H02J 50/80; H02J 7/025; H02J 7/005; H02J 7/02; H02J 7/0026; H02J 7/0042; H02J 7/0044; H02J 7/0045; H02J 7/0013; H02J 7/003; A47F 3/043; A47F 3/063; A47F 3/03; A47B 88/959; A45C 11/16

See application file for complete search history.

(56) References Cited

U.S. PATENT DOCUMENTS

D702,062 S \* 4/2014 Sengsavang ..... D6/667  
D835,436 S 12/2018 Reister  
D922,800 S 6/2021 Reister  
D922,801 S 6/2021 Reister  
D923,978 S 7/2021 Reister

D970,929 S \* 11/2022 Fan ..... D6/667  
D993,683 S \* 8/2023 Fan ..... D6/667  
2012/0080432 A1\* 4/2012 Bensman ..... B25H 3/023  
220/752  
2019/0372365 A1\* 12/2019 Qin ..... H02J 7/0013  
2022/0094185 A1\* 3/2022 Ran ..... B25H 3/02

OTHER PUBLICATIONS

“Mens Valet Box Organizer, Large Leather Valet Tray for Men, Mens Valet Tray Organizer with Charging Station, Mens Jewelry Box Organizer for EDC Valet Mens Accessories, Nightstand Bedside Dresser Top”, first available Feb. 9, 2023. Amazon.com [https://www.amazon.com/dp/B0BVB5BL54] (Year: 2023).\*

“My Personal Memories, Personalized Leather Valet Tray Box—Custom Monogrammed Mens Dresser Organizer Catchall (Brown)”, first available Jul. 19, 2017. Amazon.com [https://www.amazon.com/dp/B0742HMNW5] (Year: 2017).\*

“Mind Reader Valet Dresser Organizer, Jewelry Tray, Mens Accessory, Bedside Caddy, Bedroom Org, Wood, 12" Lx10" Wx4" H, Brown”, first available Jun. 24, 2021. Amazon.com [https://www.amazon.com/dp/B097SVBJVK] (Year: 2021).\*

Reister, Richard James, “Houndsbay Navigator Large Dresser Valet Tray & Mens Jewelry Box Organizer—Watch Angled Charging Station”, Amazon, 10 pages, printed Dec. 7, 2022.

\* cited by examiner

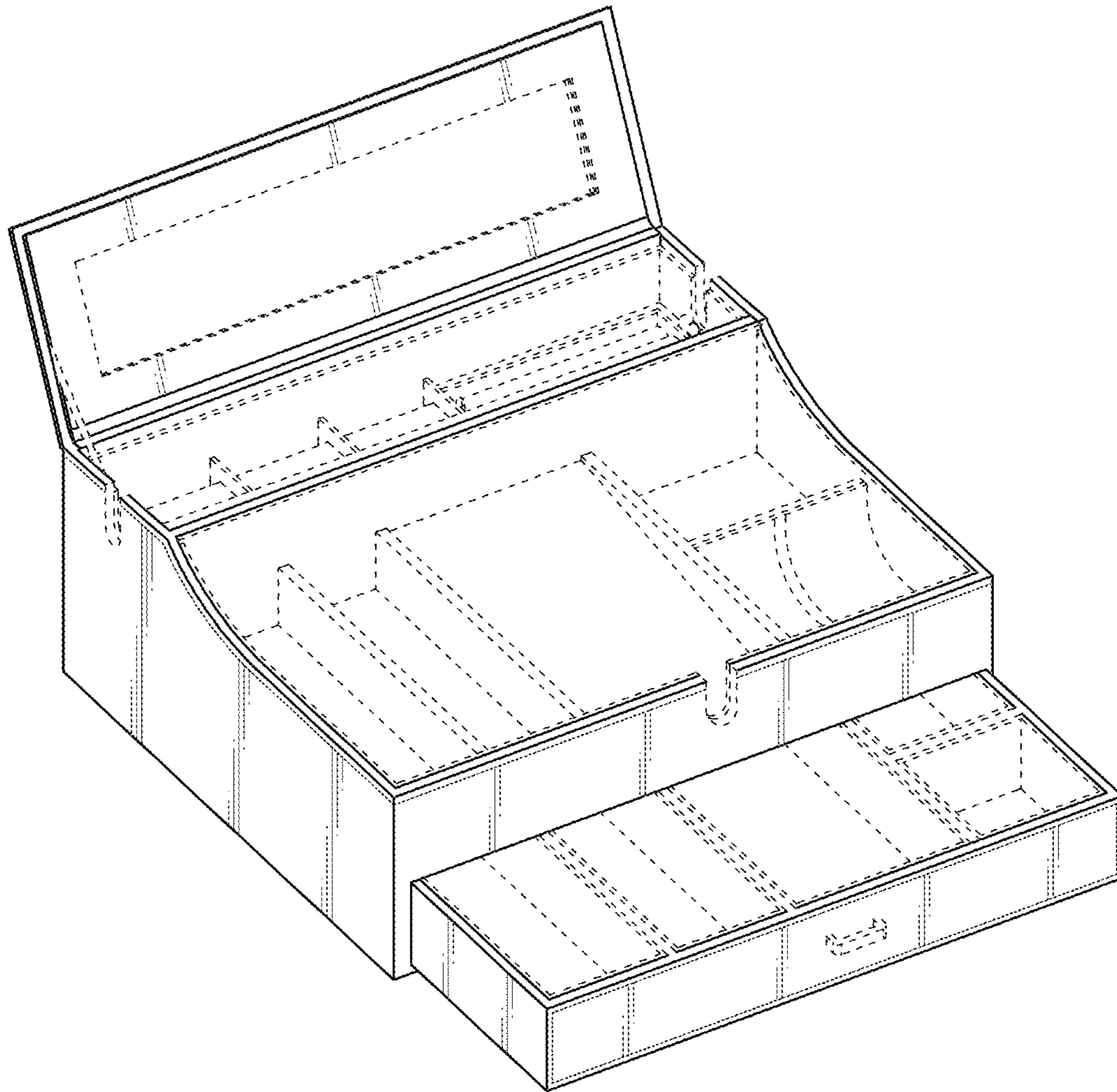


FIG. 1

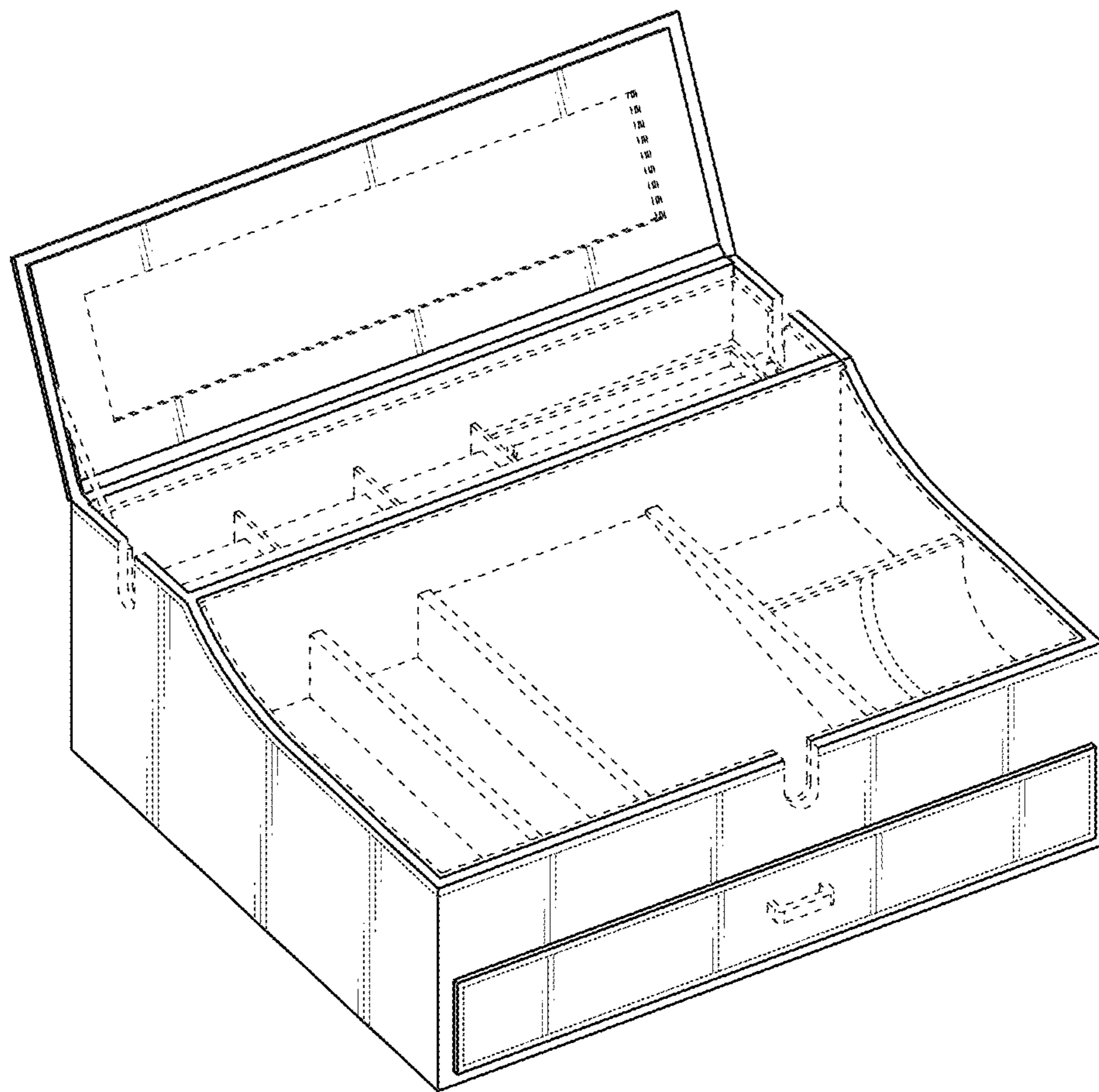


FIG. 2

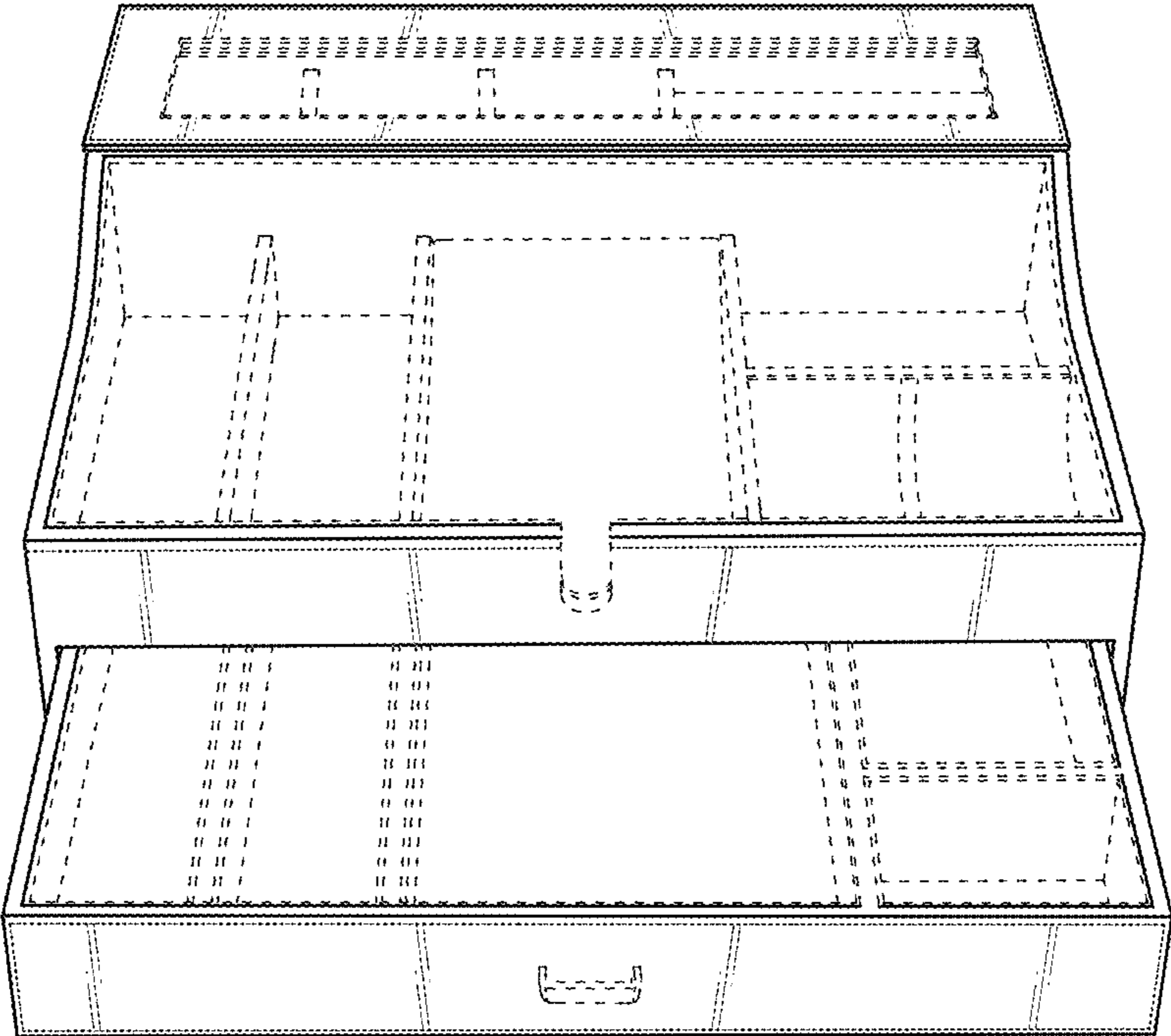


FIG. 3

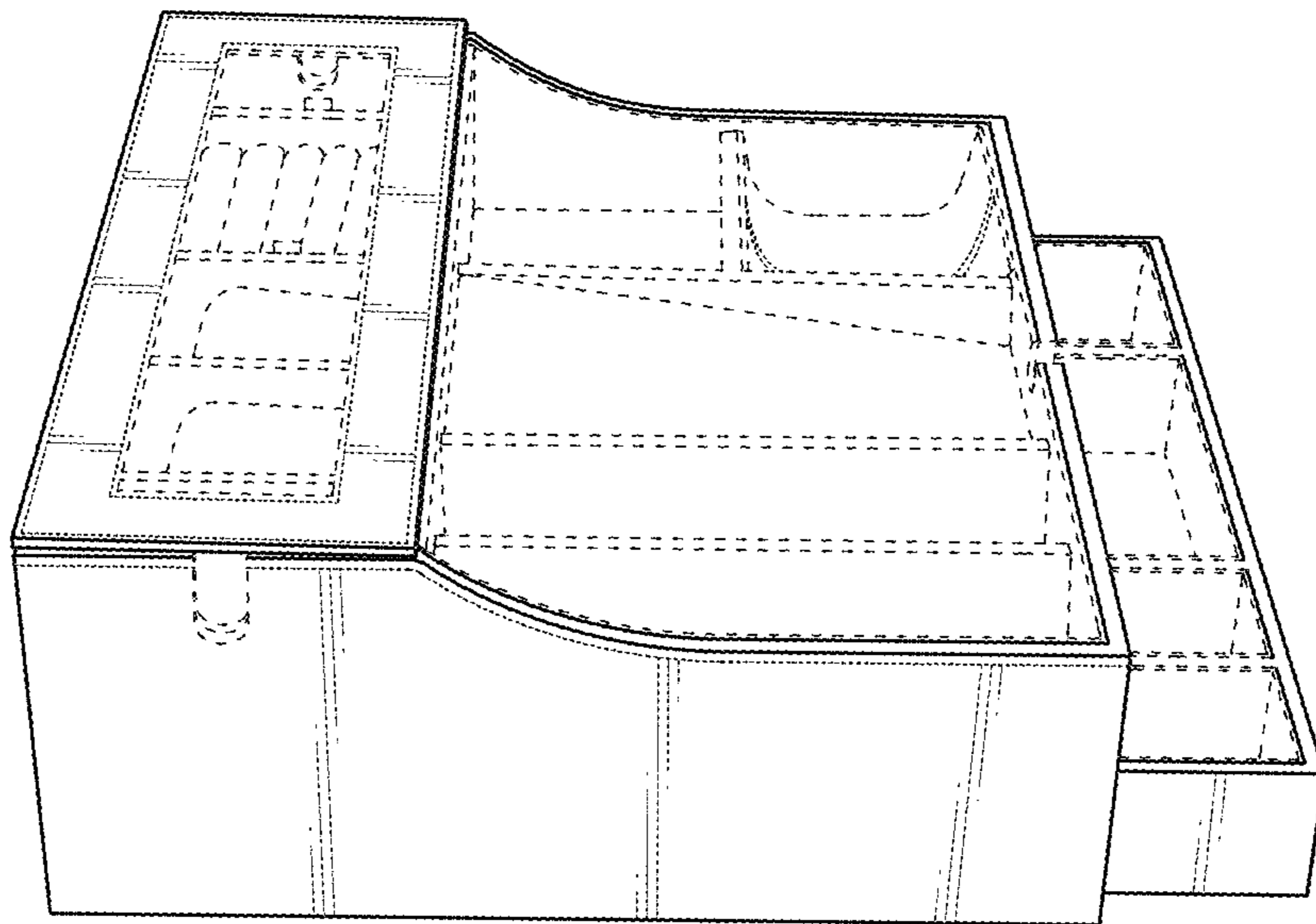


FIG. 4

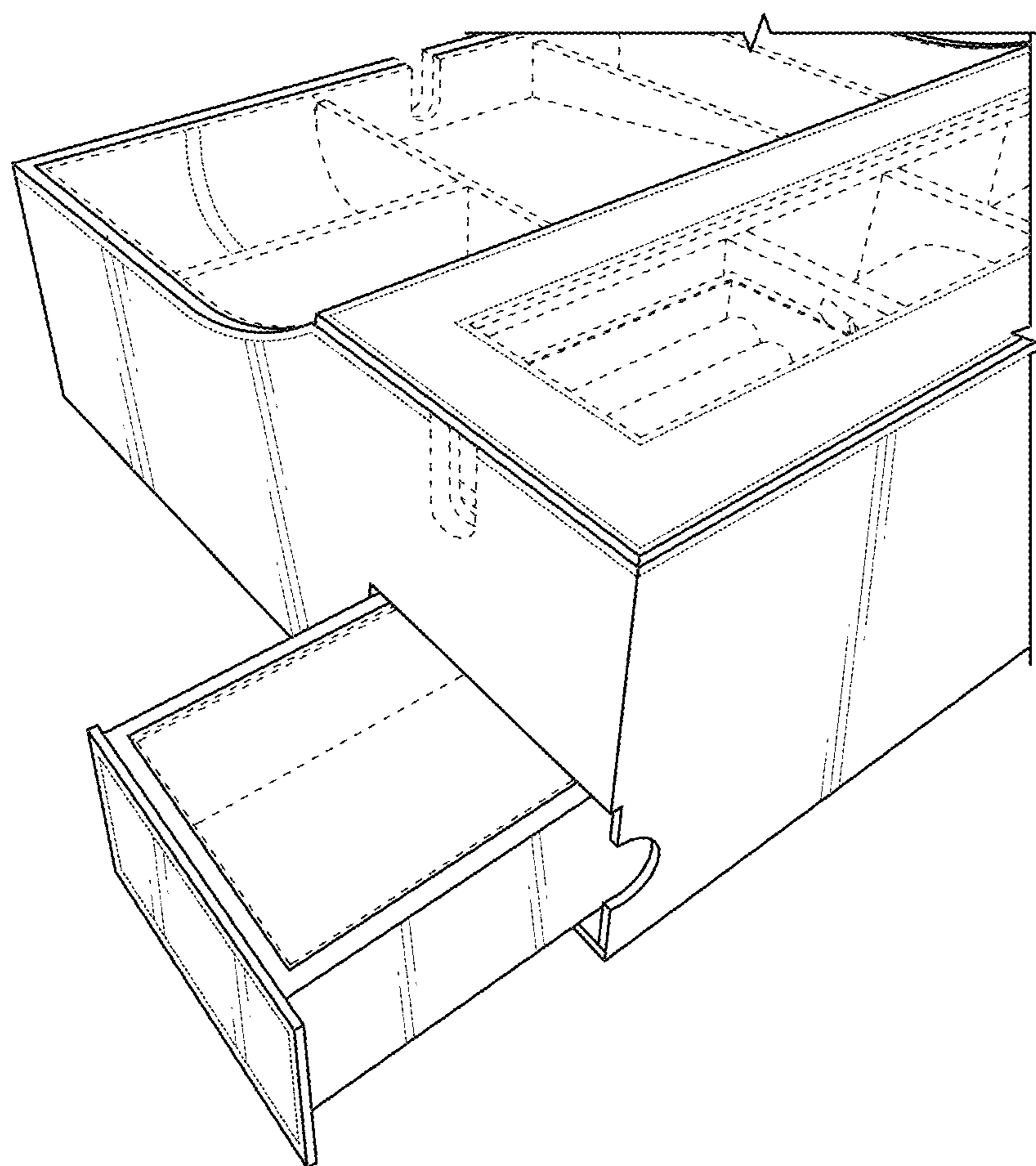


FIG. 5

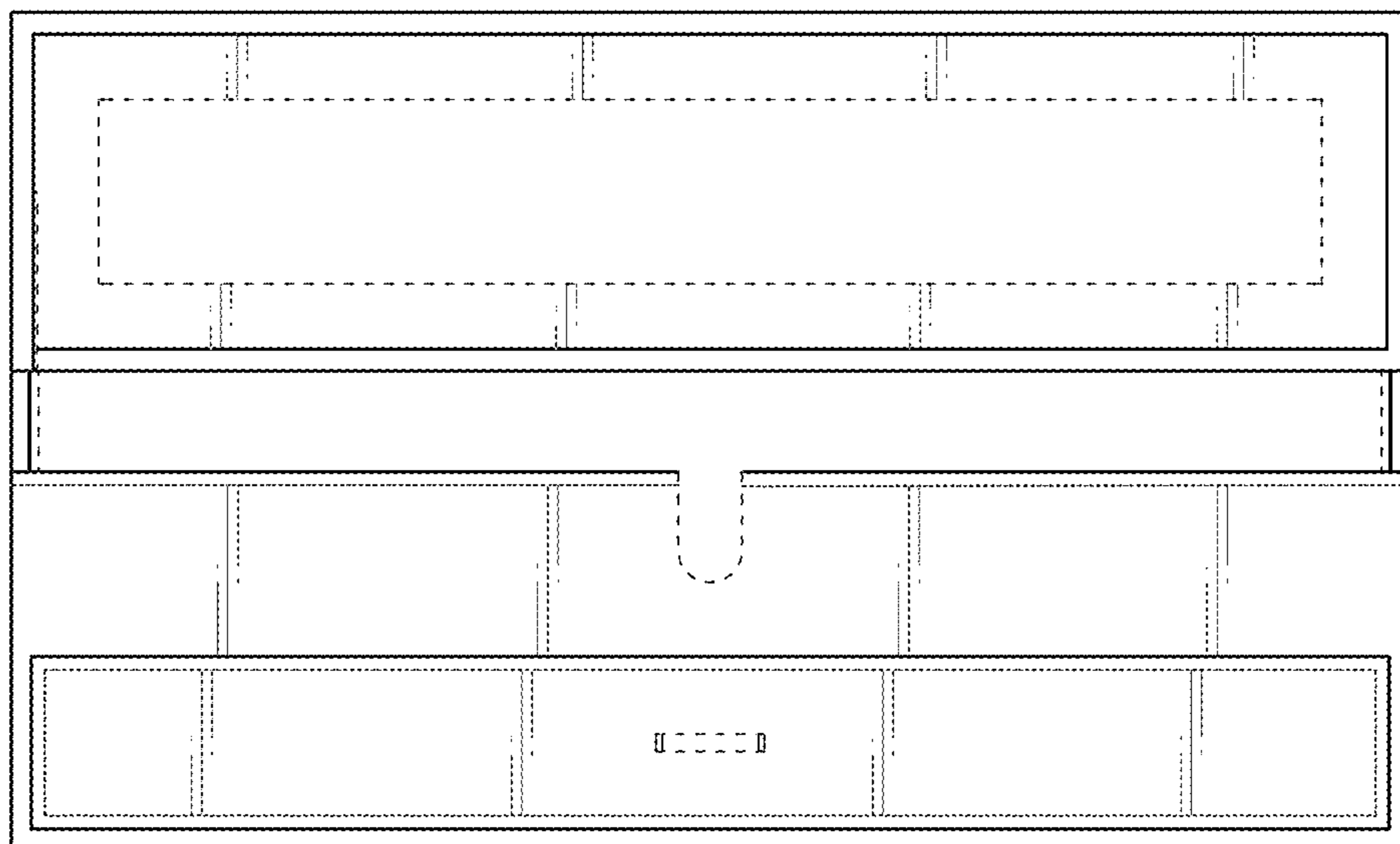


FIG. 6



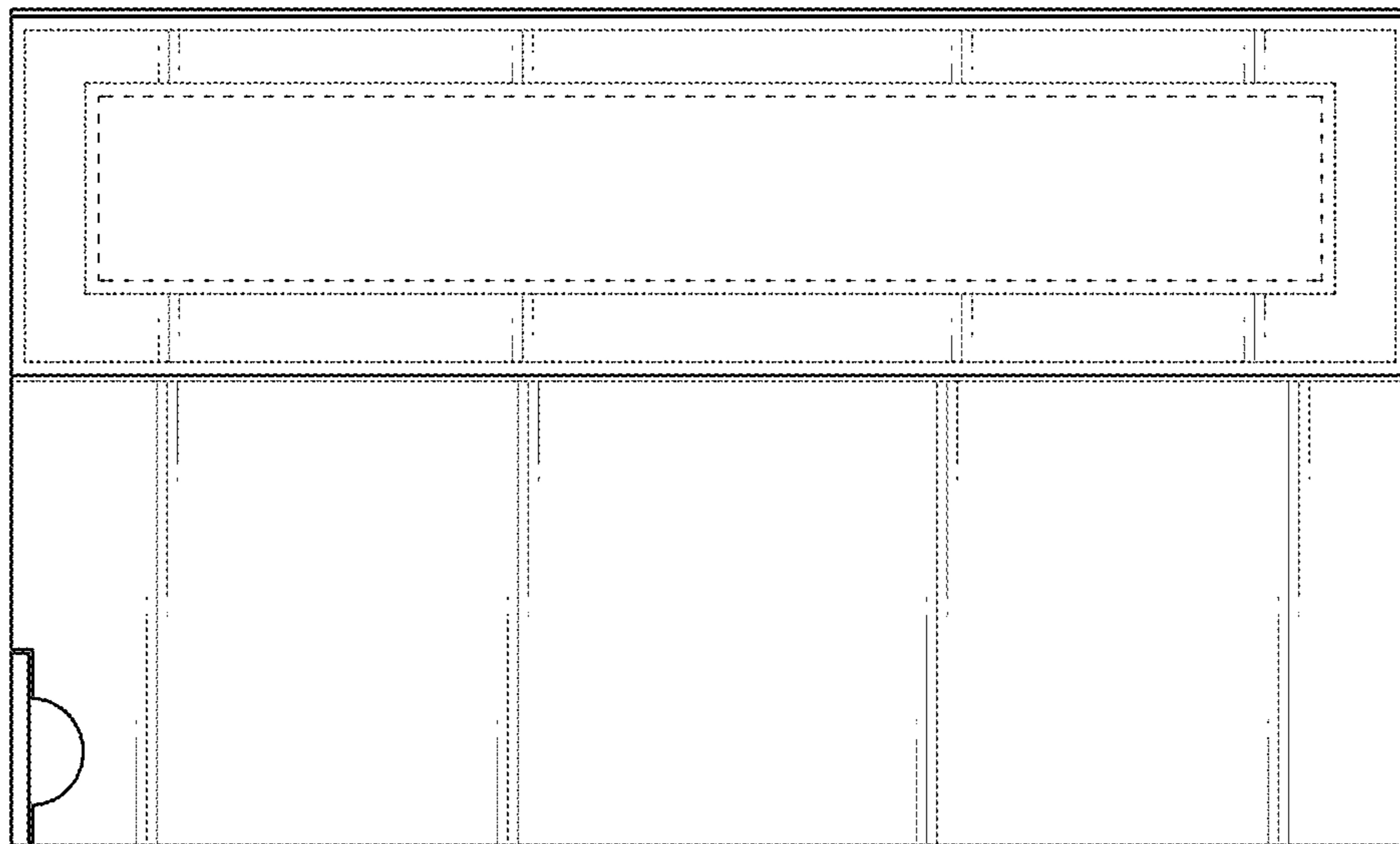


FIG. 7

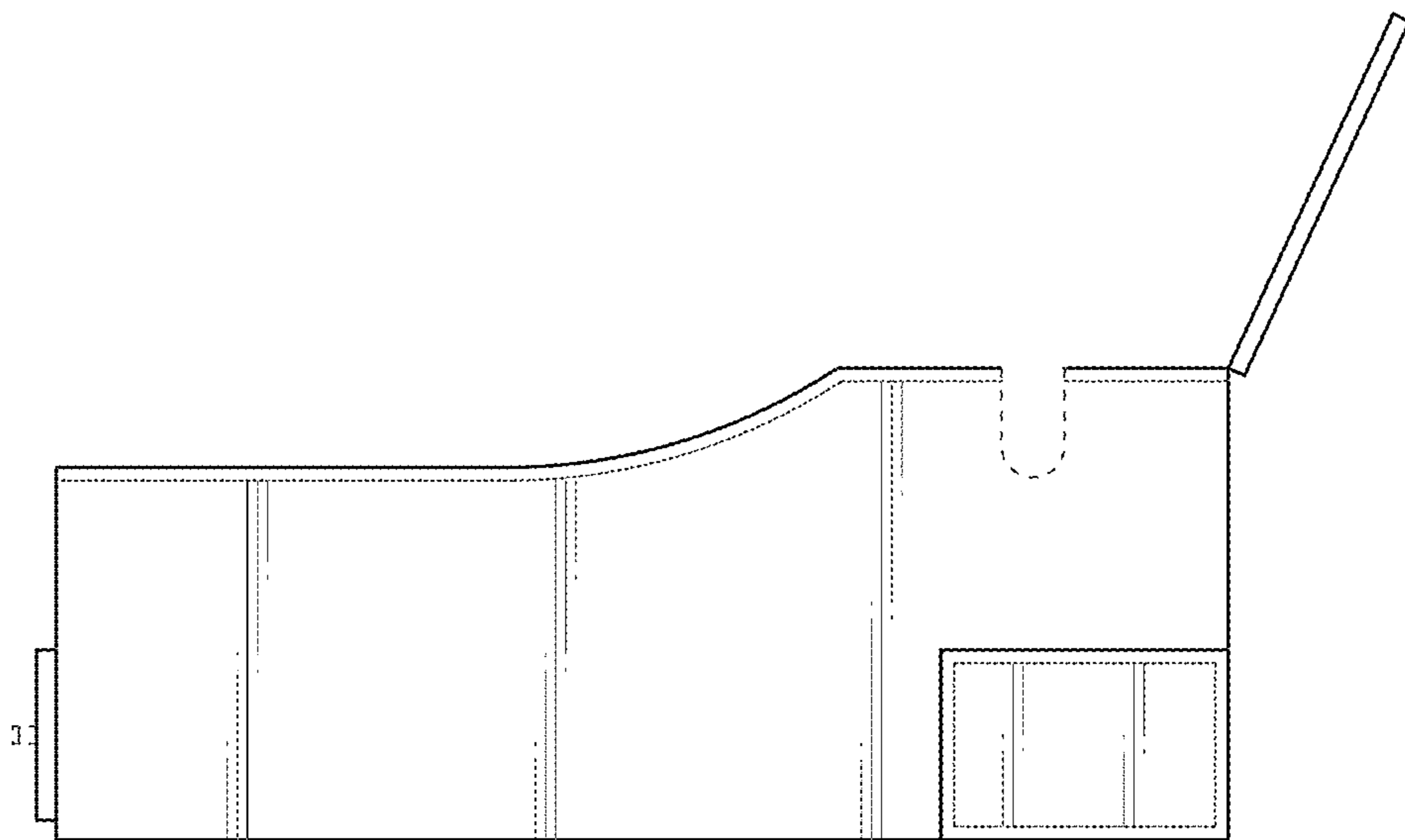


FIG. 8

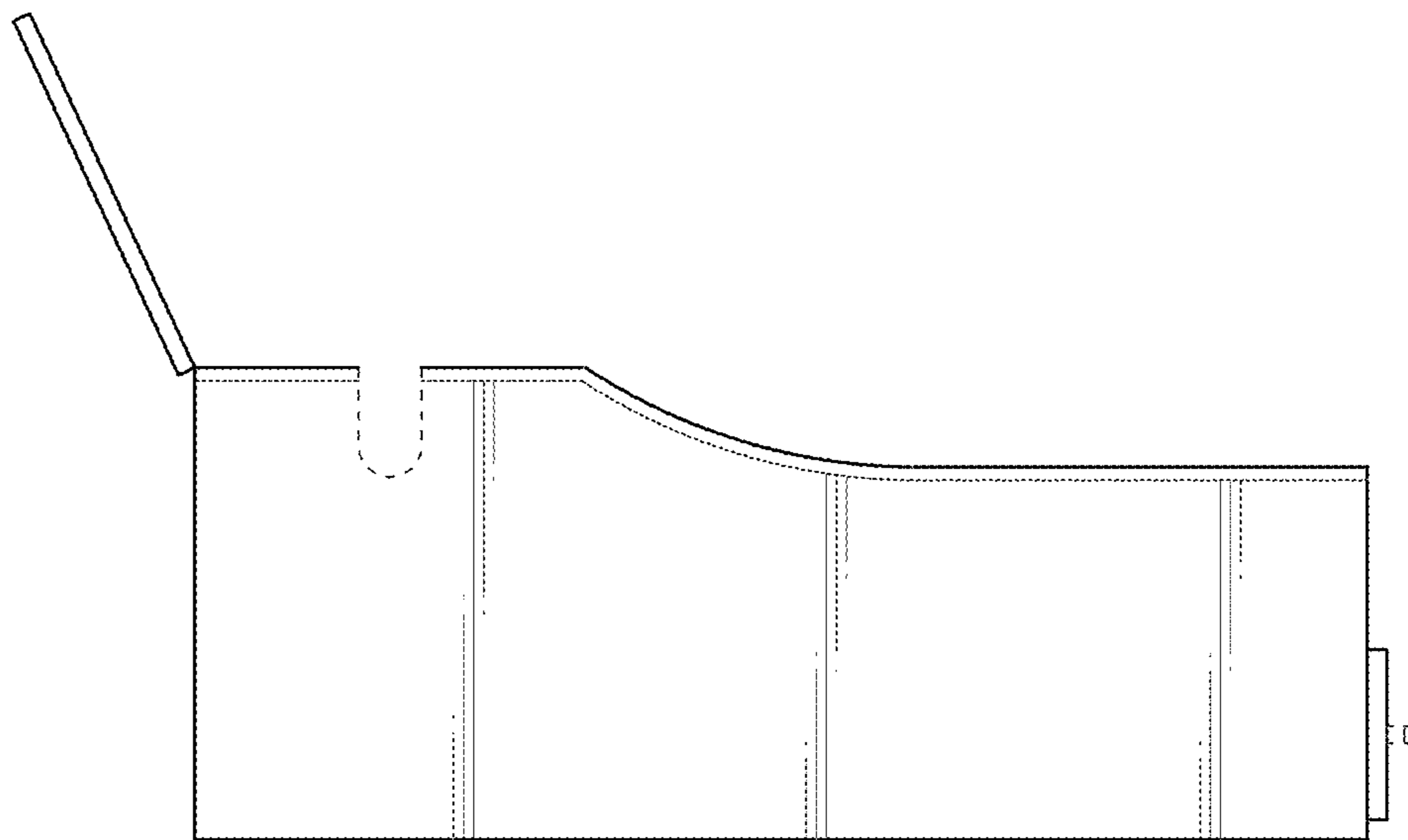


FIG. 9

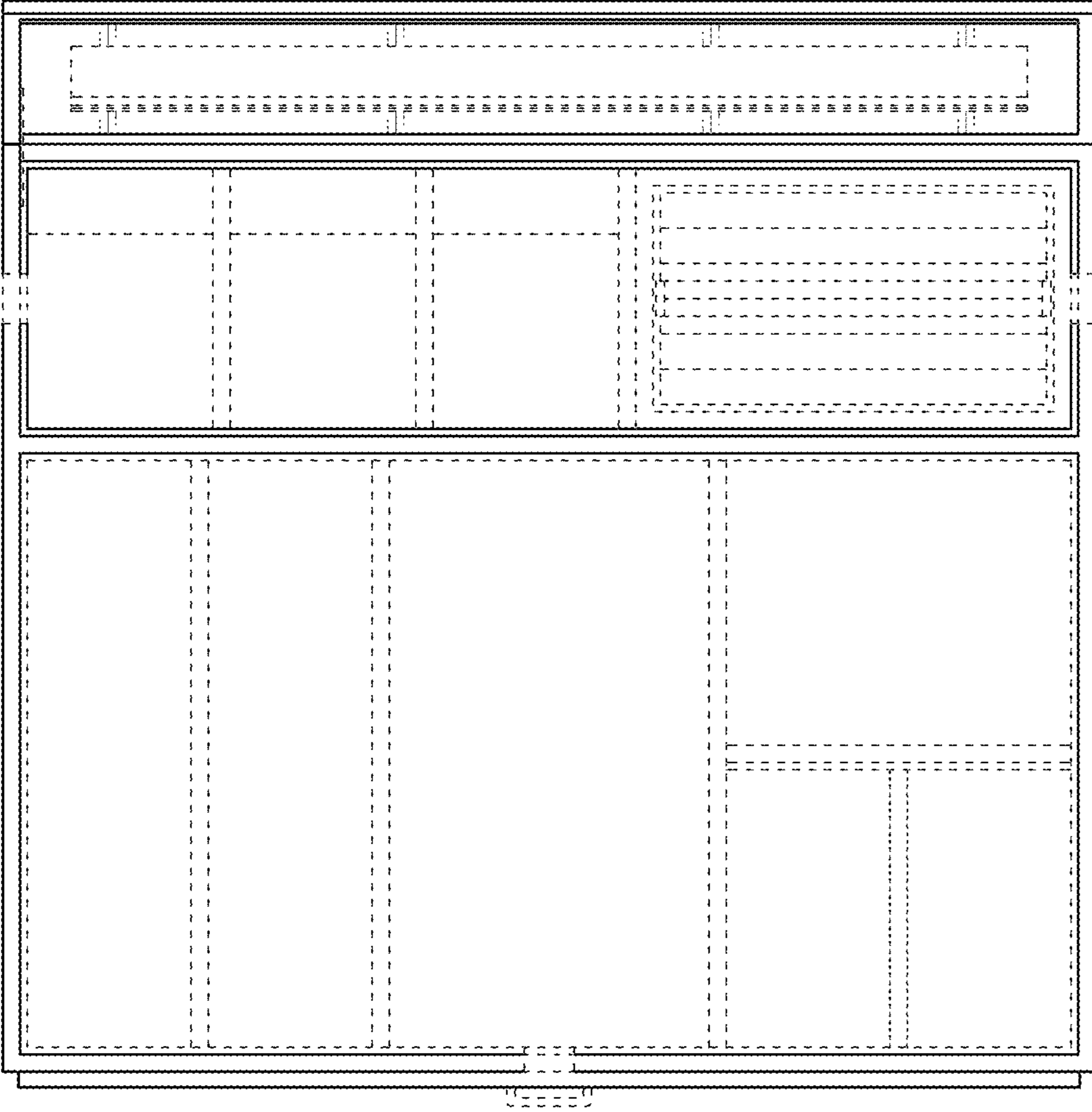


FIG. 10

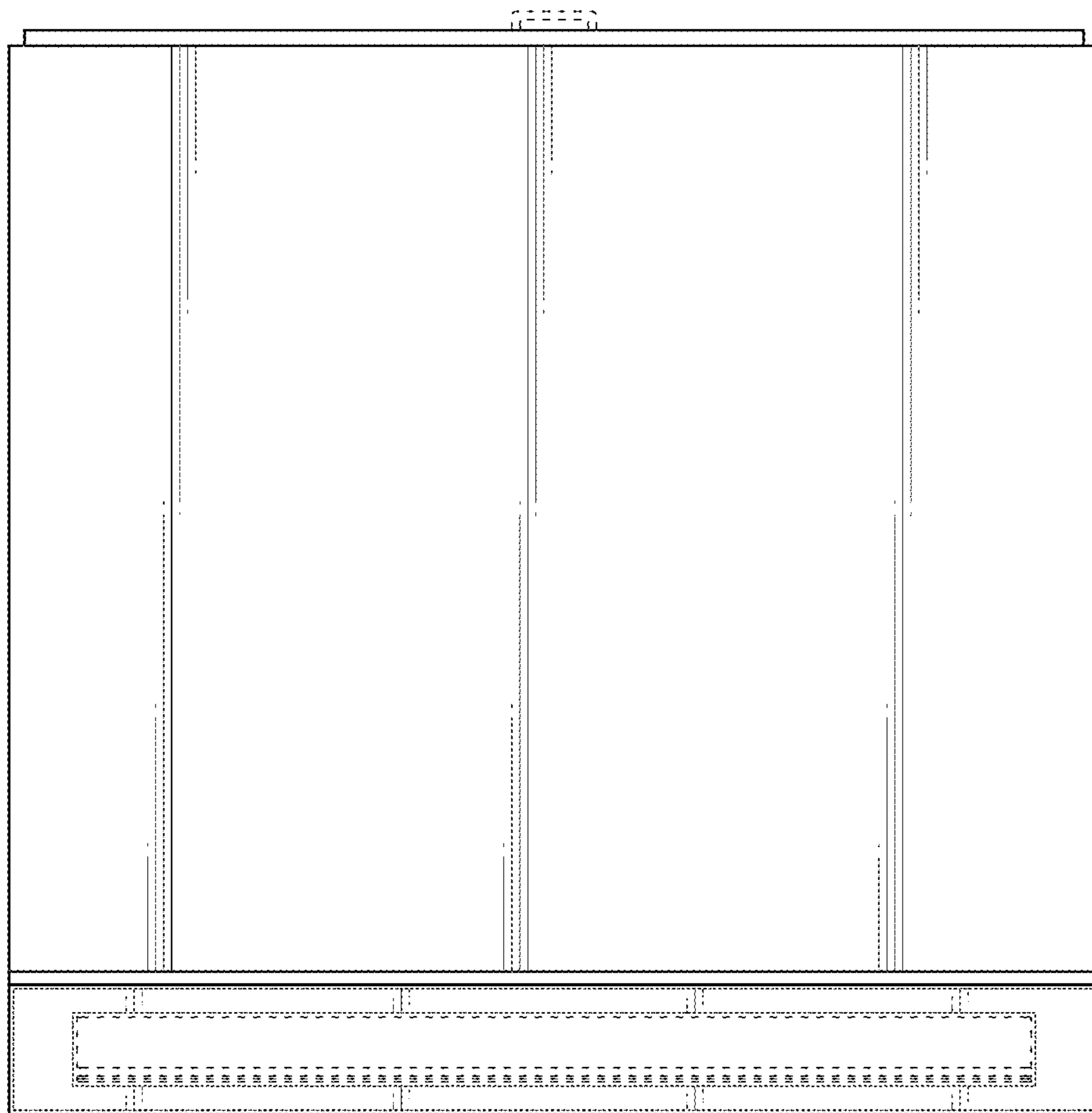


FIG. 11