



US0D1059089S

(12) **United States Design Patent** (10) **Patent No.:** **US D1,059,089 S**
Allen (45) **Date of Patent:** **** Jan. 28, 2025**

(54) **TANK LOCKER**

FOREIGN PATENT DOCUMENTS

(71) Applicant: **AIM Design, LLC**, Desoto, TX (US)

CA 108890 * 10/2006
CN 306807006 * 9/2021
CN 306840906 * 9/2021

(72) Inventor: **Sam Allen**, Maypearl, TX (US)

(73) Assignee: **AIM Design, LLC**, Desoto, TX (US)

OTHER PUBLICATIONS

(**) Term: **15 Years**

Recruiter 2 Locker, posted date unavailable [online], [retrieved Jul. 25, 2024]. Retrieved from internet, <https://www.worthingtondirect.com/recruiter-2-adder-wood-sport-1-wide-locker-wtih-combination-lock-24-in-w-x-84-in-h-assembled> (Year: 2024).*

(21) Appl. No.: **29/843,077**

(Continued)

(22) Filed: **Jun. 17, 2022**

(51) **LOC (15) Cl.** **06-04**

Primary Examiner — Jae Liang

(52) **U.S. Cl.**

Assistant Examiner — Christopher Torma

USPC **D6/662**; D6/671.2

(74) *Attorney, Agent, or Firm* — James E. Walton

(58) **Field of Classification Search**

(57) **CLAIM**

USPC D6/640, 662, 663, 668, 670, 671, 671.1,
D6/671.2, 671.3, 671.4, 672, 678;
D21/325

The ornamental design for a tank locker as shown and described.

CPC A47B 47/0083; A47B 55/00; A47B 57/00;
A47B 57/06; A47B 61/00; A47B 63/04;
A47B 67/00; A47B 67/005; A47B 67/04;
A47B 83/001; A63F 13/90

DESCRIPTION

See application file for complete search history.

FIG. 1 is a perspective view of a tank locker according to the present application.

(56) **References Cited**

U.S. PATENT DOCUMENTS

D293,398 S * 12/1987 Kwiecinski D6/653.1
D339,828 S * 9/1993 Calabro D21/325
D438,403 S * 3/2001 Greenburg D6/675.3
D492,510 S * 7/2004 Greenburg D6/675.3
D619,659 S * 7/2010 Damani D21/325
D880,211 S * 4/2020 Allen D6/703
D880,599 S * 4/2020 Navid D21/325
D969,223 S * 11/2022 Shin D21/369
2008/0102963 A1 * 5/2008 Flagg A63F 13/90
463/46
2019/0319488 A1 * 10/2019 Allen A47C 15/004
2019/0374027 A1 * 12/2019 Allen A47B 87/00

FIG. 2 is a front view of the tank locker of FIG. 1.

FIG. 3 is a rear view of the tank locker of FIG. 1.

FIG. 4 is a right side view of the tank locker of FIG. 1.

FIG. 5 is a left side view of the tank locker of FIG. 1.

FIG. 6 is a top view of the tank locker of FIG. 1.

FIG. 7 is a bottom view of the tank locker of FIG. 1.

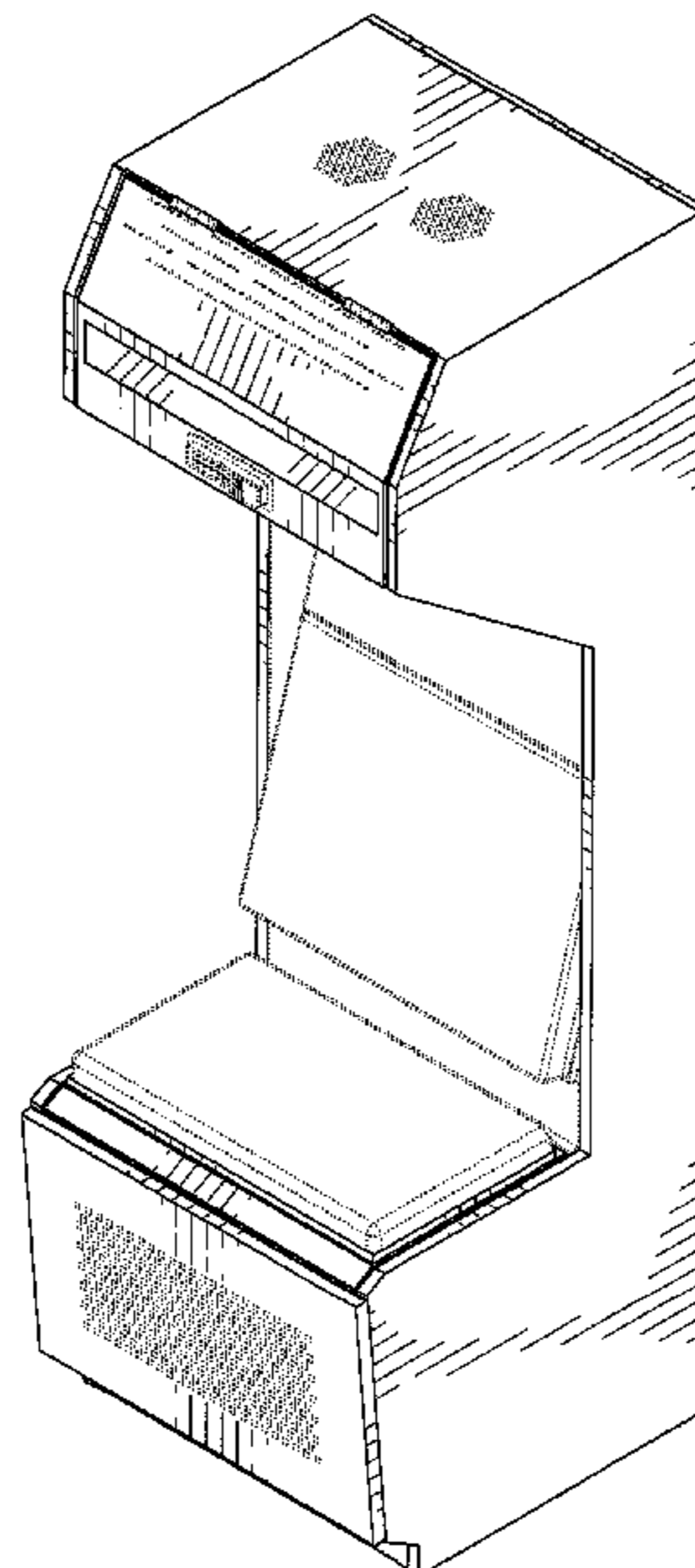
FIG. 8 is another perspective view of the tank locker according to the present application.

FIG. 9 is another perspective view of the tank locker according to the present application; and,

FIG. 10 is perspective view of the tank locker of FIG. 1.

The broken lines in all views are for the purpose of illustrating environmental structure and form no part of the claimed design.

1 Claim, 9 Drawing Sheets



(56)

References Cited

OTHER PUBLICATIONS

History of Automatic Teller Machines, updated Apr. 15, 2019 [online], [retrieved Jul. 25, 2024]. Retrieved from internet, <https://www.thoughtco.com/automatic-teller-machines-atm-1991236> (Year: 2019).*

How to Build a Raspberry Pi Arcade Machine, published May 27, 2020 [online], [retrieved Jul. 25, 2024]. Retrieved from internet, <https://medium.com/swlh/how-to-build-a-raspberry-pi-arcade-machine-3de4df2894c6> (Year: 2020).*

* cited by examiner

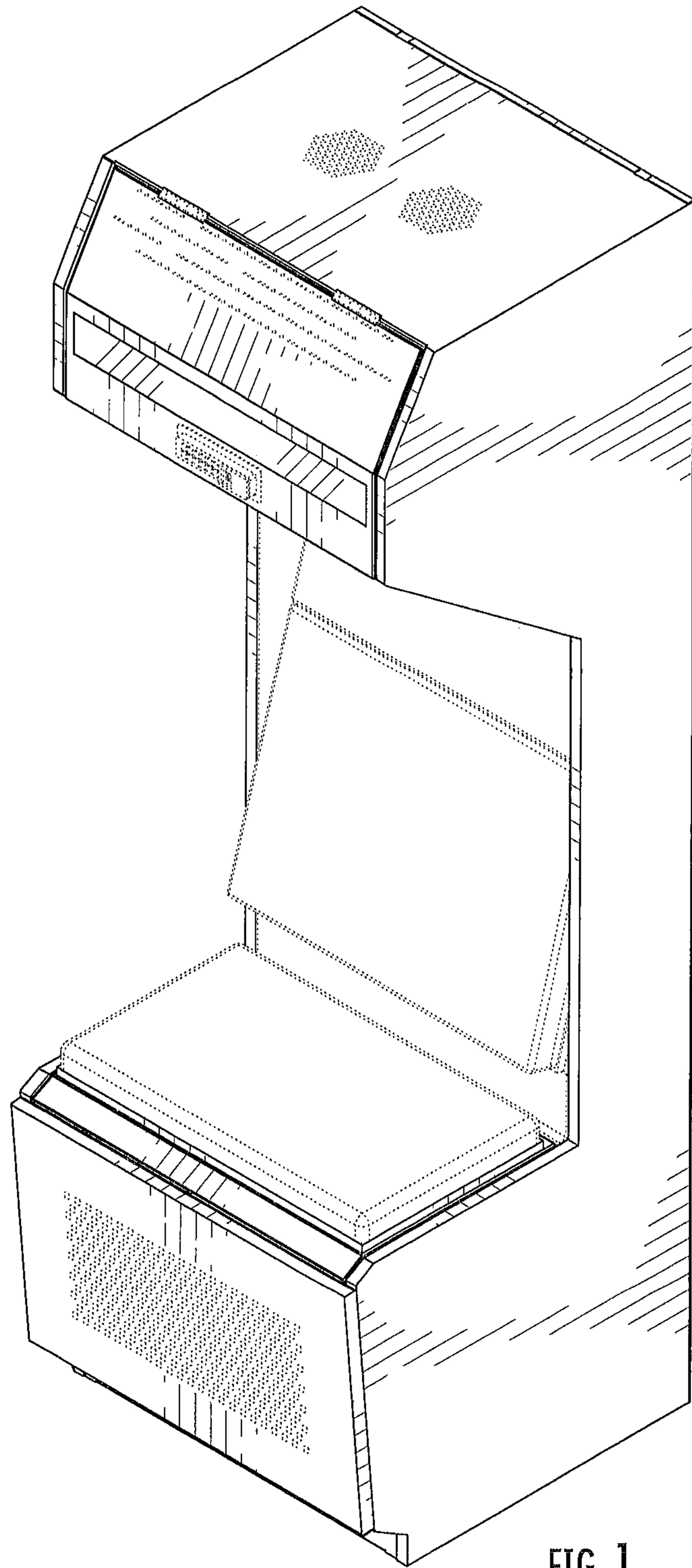


FIG. 1

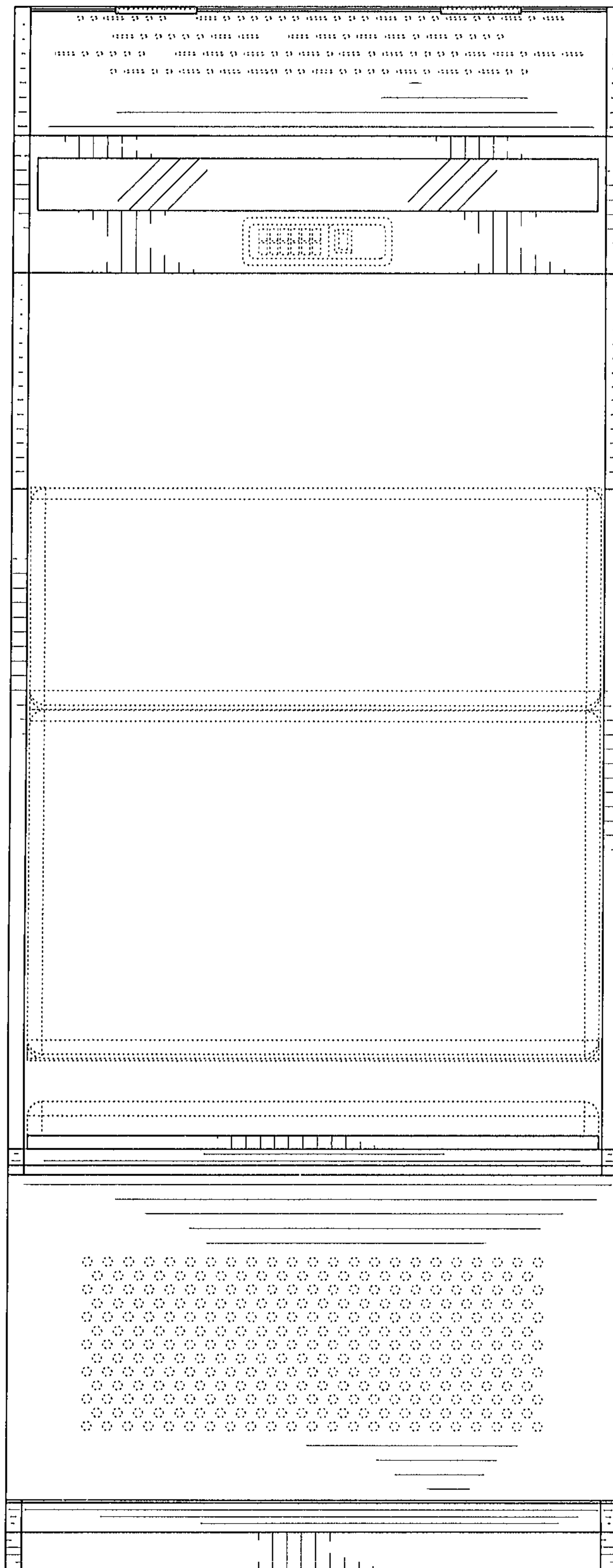


FIG. 2

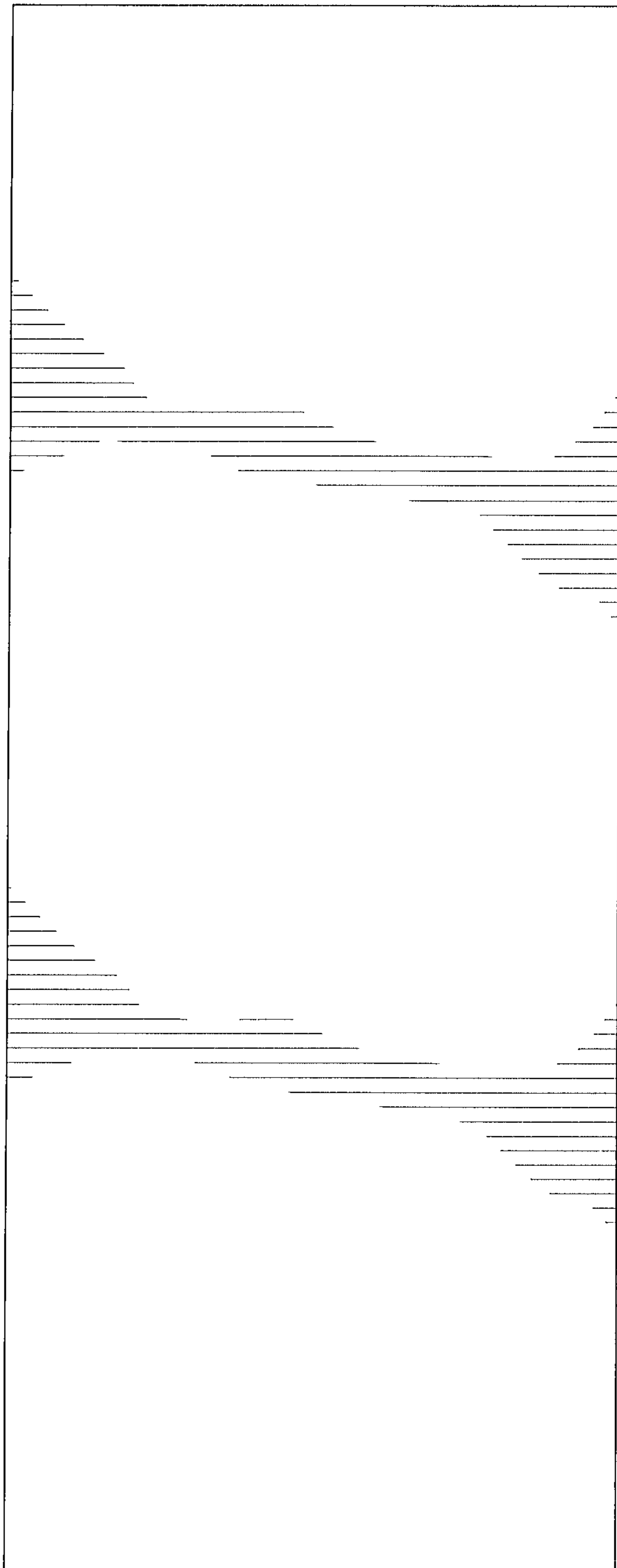


FIG. 3

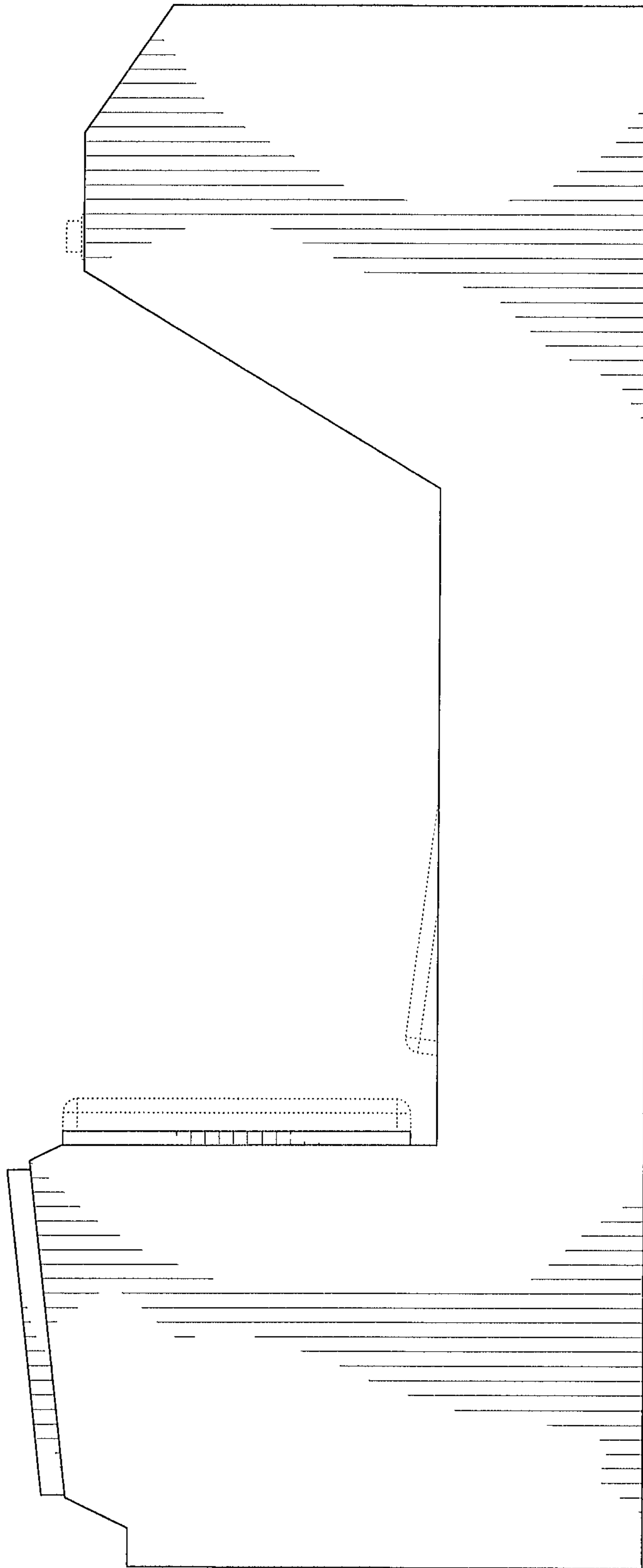


FIG. 4

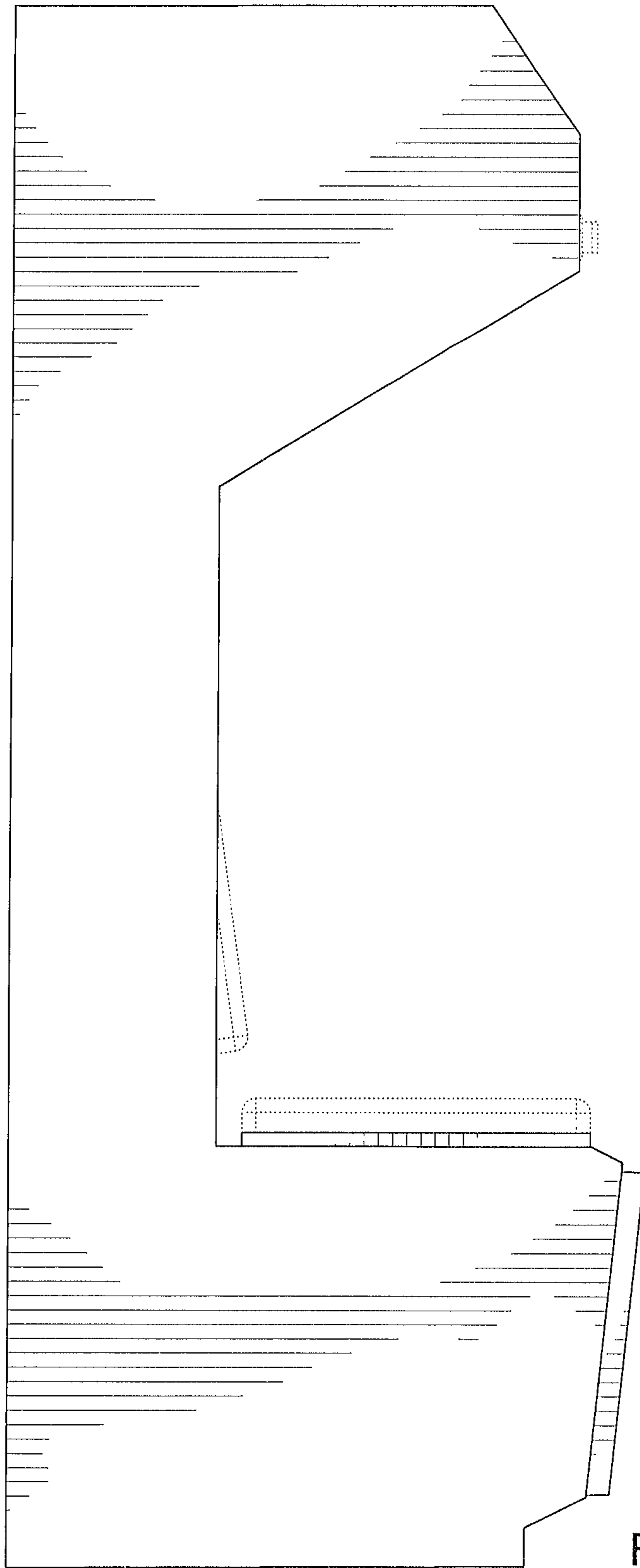


FIG. 5

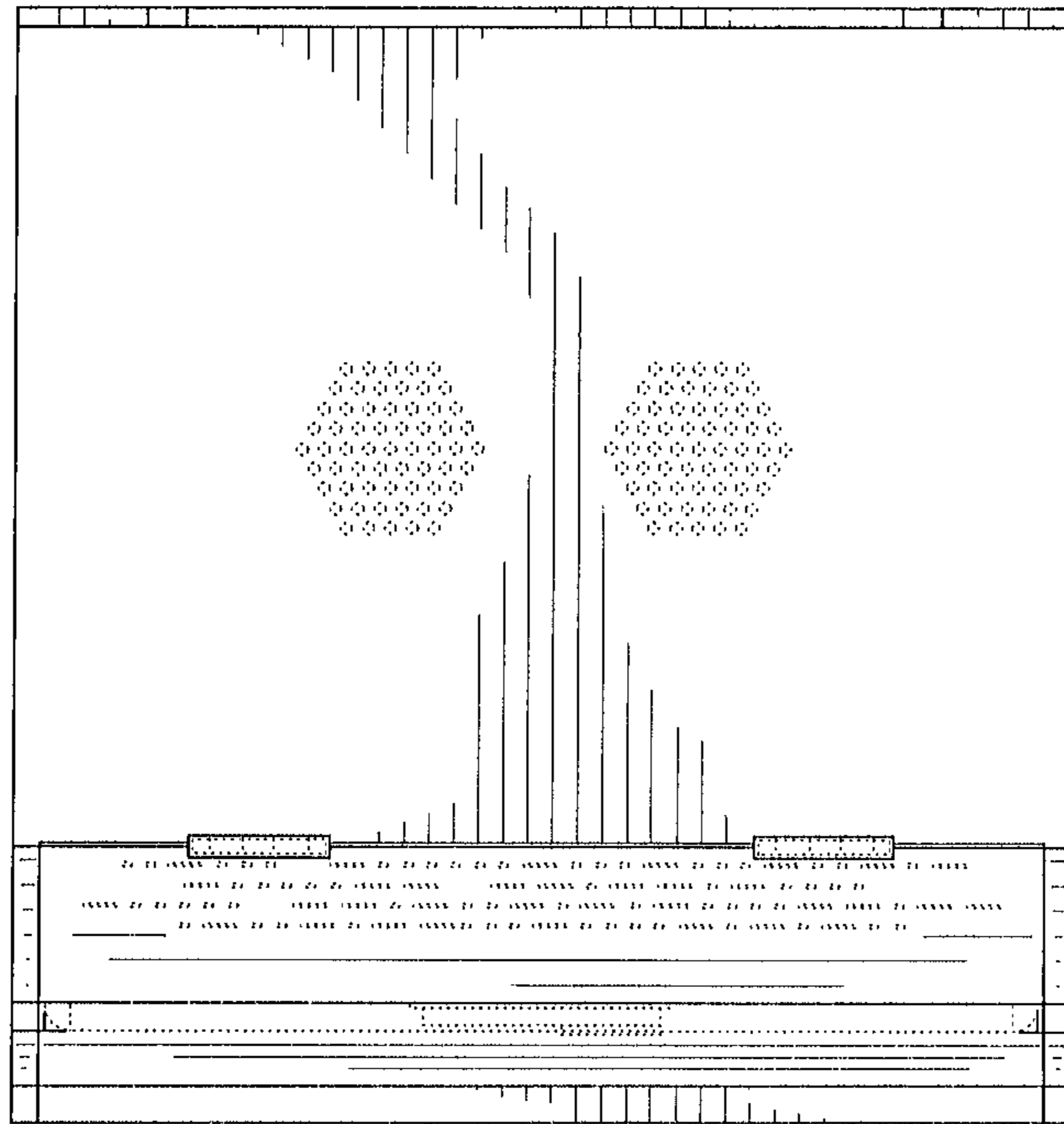


FIG. 6

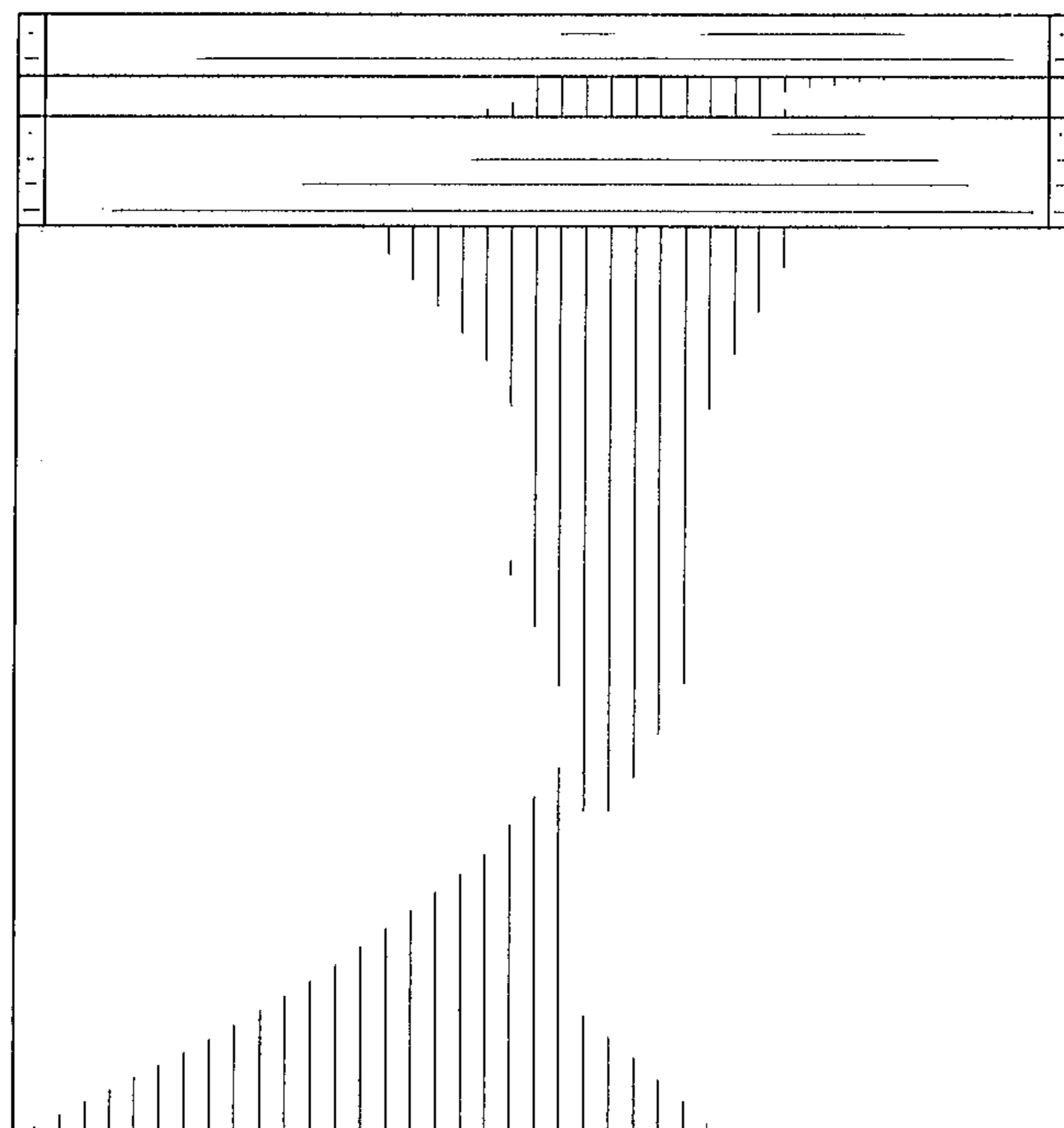


FIG. 7

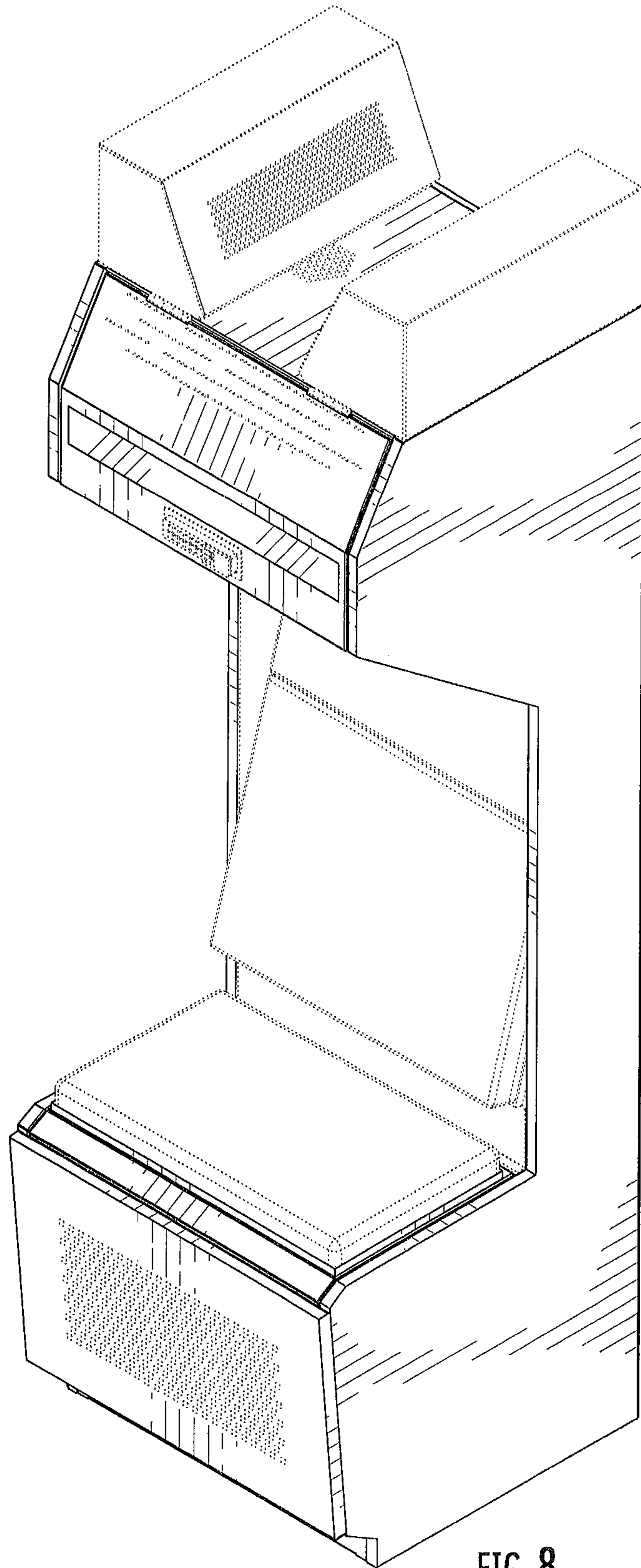


FIG. 8

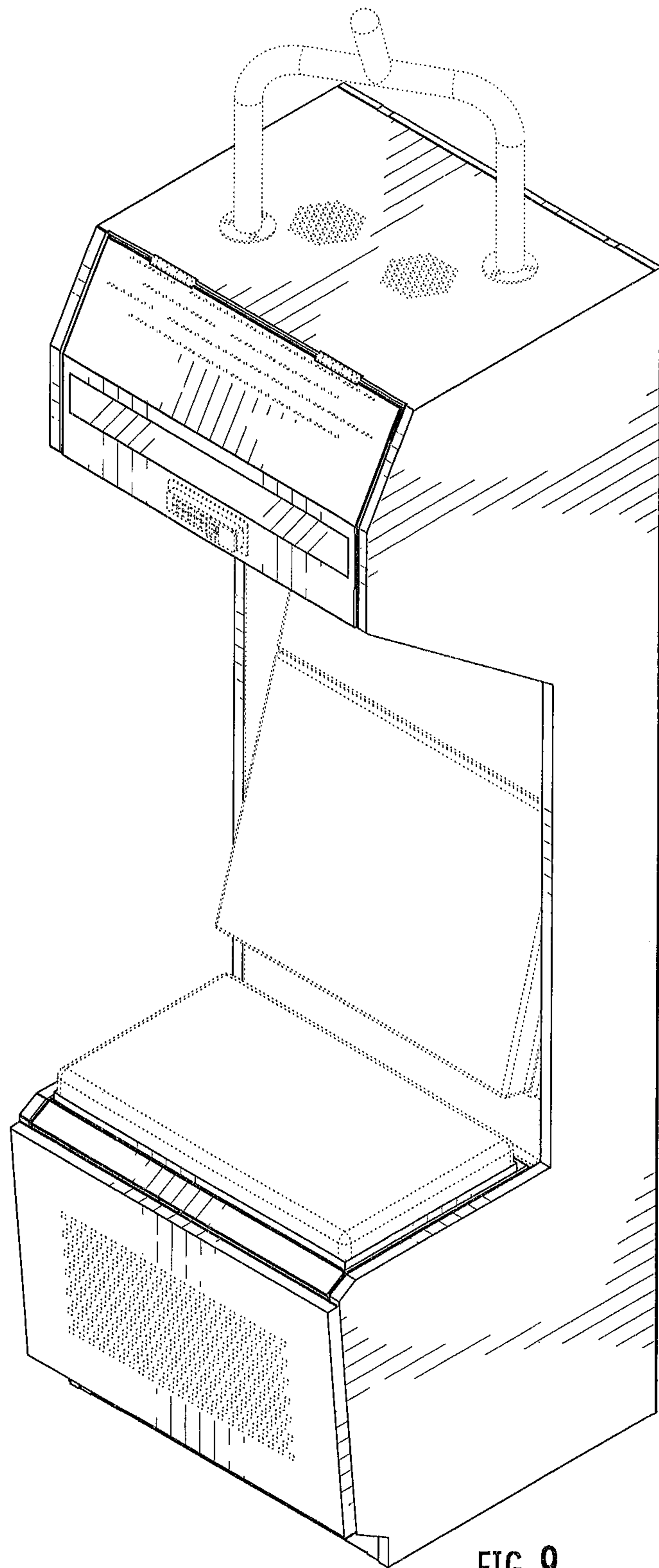


FIG. 9

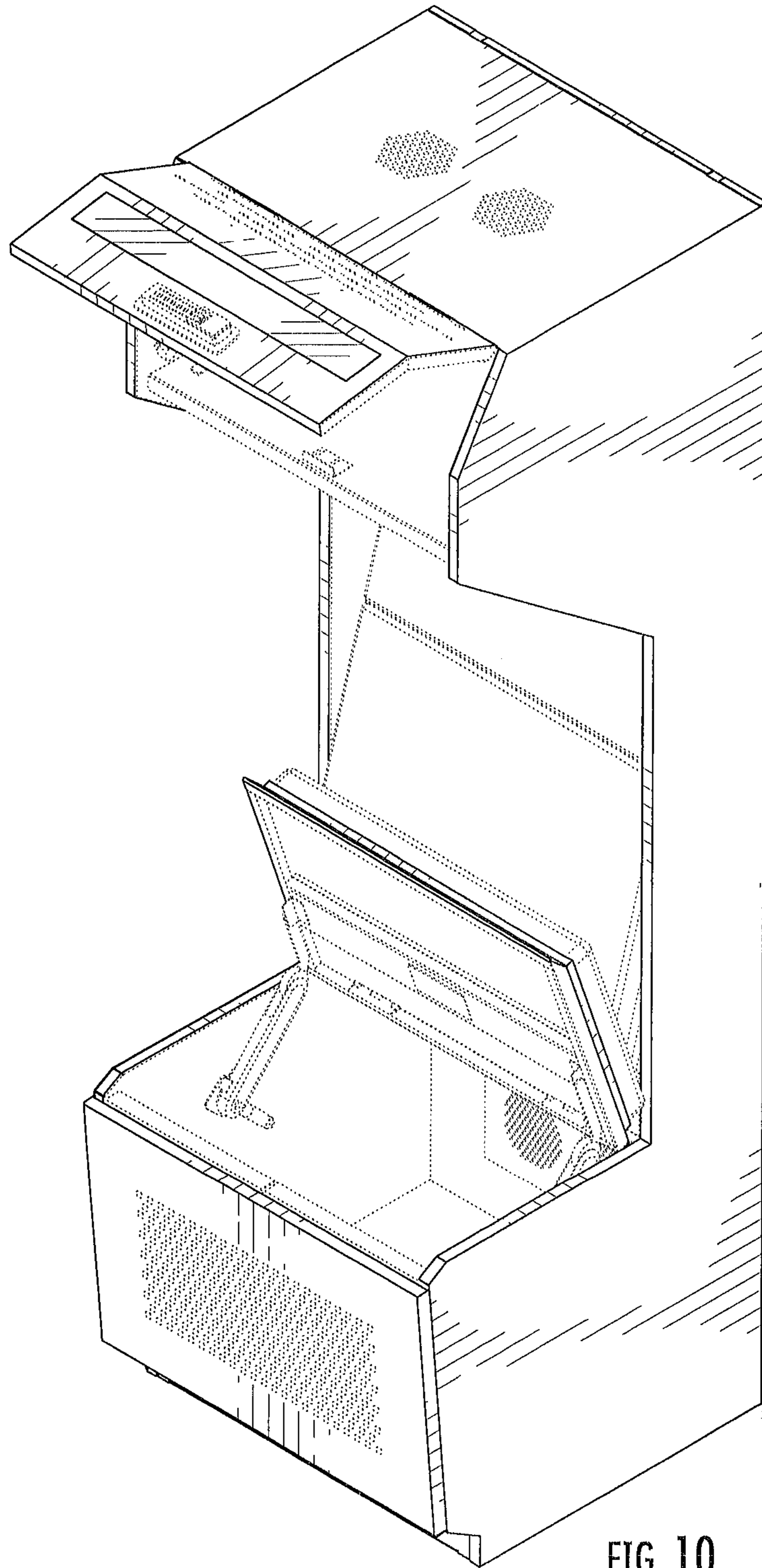


FIG. 10