



US0D1058321S

(12) **United States Design Patent** (10) **Patent No.:** **US D1,058,321 S**  
**Taylor** (45) **Date of Patent:** **\*\* Jan. 21, 2025**

(54) **SOIL REINFORCING STABILIZER**

(71) Applicant: **THE TAYLOR IP GROUP LLC**,  
Colleyville, TX (US)

(72) Inventor: **Thomas P. Taylor**, Colleyville, TX  
(US)

(73) Assignee: **THE TAYLOR IP GROUP LLC**,  
Colleyville, TX (US)

(\*\*) Term: **15 Years**

(21) Appl. No.: **29/903,052**

(22) Filed: **Sep. 19, 2023**

**Related U.S. Application Data**

(63) Continuation-in-part of application No. 29/806,399,  
filed on Sep. 2, 2021.

(51) **LOC (15) Cl.** ..... **08-05**

(52) **U.S. Cl.**  
USPC ..... **D8/354**; D8/1; D25/164

(58) **Field of Classification Search**  
USPC ..... D8/1, 14, 16, 349, 354, 373, 376, 380;  
D15/21; D25/164, 199

CPC ..... A01G 9/28; A47H 1/122; B28B 23/005;  
B66C 1/666; E02D 29/0225; E02D  
29/0233; E02D 29/0241; E02D 29/025;  
E02D 29/0266; E02D 29/02; E04B  
1/4178; E04B 1/4185; E04C 5/012; E04C  
5/03; E04F 13/04; E04F 13/06; E04F  
13/068; E04F 13/0803; E04G 21/142  
See application file for complete search history.

(56) **References Cited**

**U.S. PATENT DOCUMENTS**

4,116,010 A \* 9/1978 Vidal ..... E02D 29/0241  
405/262  
D268,344 S \* 3/1983 Ronck ..... D15/29  
4,710,062 A \* 12/1987 Vidal ..... E02D 29/0225  
405/262  
5,033,912 A \* 7/1991 Vidal ..... E02D 29/0241  
405/262

(Continued)

**FOREIGN PATENT DOCUMENTS**

KR 301120283.0000 \* 7/2021

**OTHER PUBLICATIONS**

“Verity Performance of Strip Reinforcements” Jun. 19, 2016, Ertest-  
ing, site visited Nov. 7, 2024: [https://www.ertesting.com/projects/  
mechanically-stabilized-earth/verify-performance-of-strip-  
reinforcements](https://www.ertesting.com/projects/mechanically-stabilized-earth/verify-performance-of-strip-reinforcements) (Year: 2016).\*

(Continued)

*Primary Examiner* — Jack Reickel

*Assistant Examiner* — Sydney M Evans

(74) *Attorney, Agent, or Firm* — Andrew F. Young;

NOLTE LACKENBACH SIEGEL

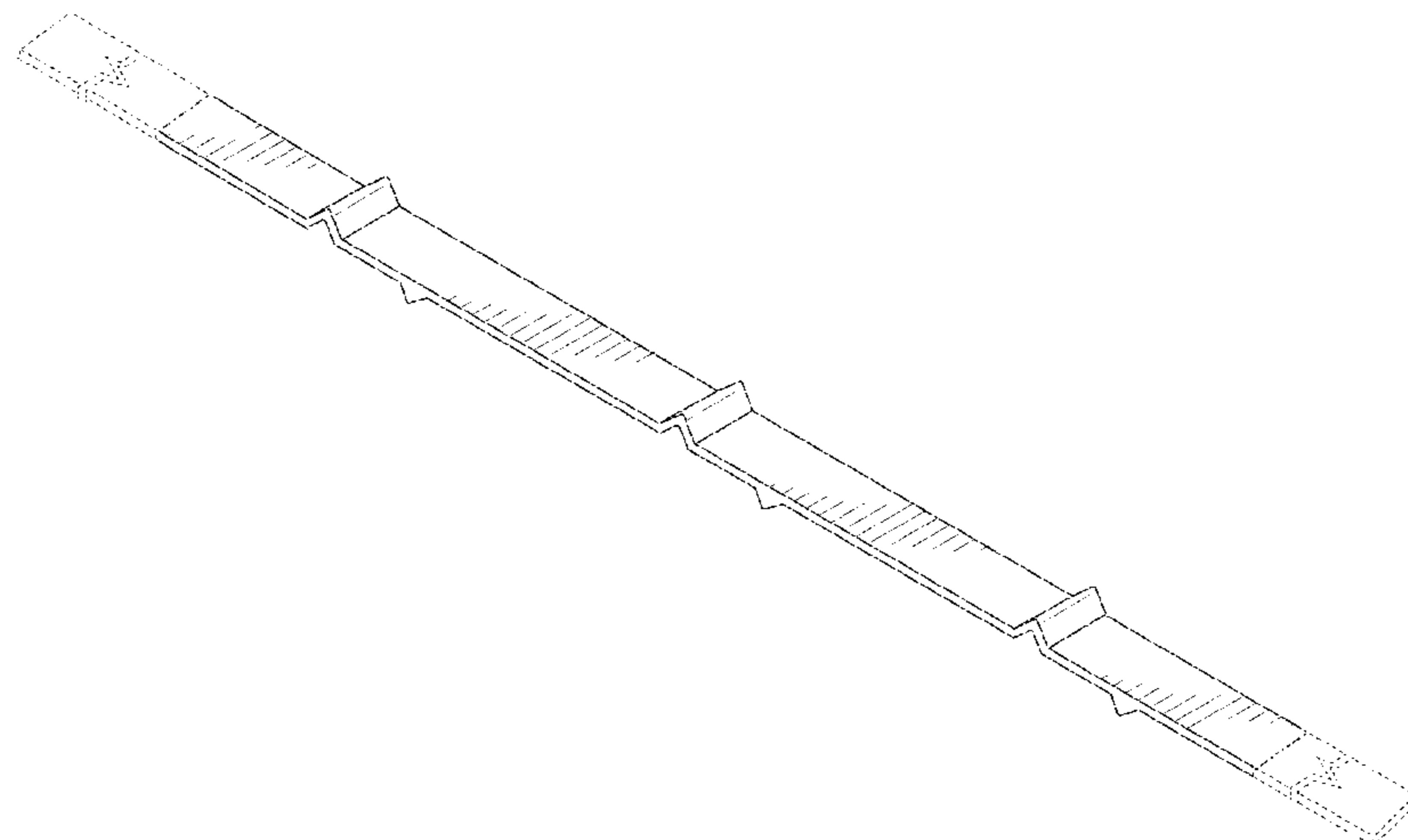
(57) **CLAIM**

The ornamental design for a soil reinforcing stabilizer, as  
shown and described.

**DESCRIPTION**

FIG. 1 is a front, top, right perspective view of a soil  
reinforcing stabilizer according to the present invention.  
FIG. 2 is a rear, bottom, left perspective view of thereof.  
FIG. 3 is a left side view thereof.  
FIG. 4 is a right side view thereof.  
FIG. 5 is a front elevation view thereof.  
FIG. 6 is a rear elevation view thereof.  
FIG. 7 is a top plan view thereof; and,  
FIG. 8 is a bottom plan view thereof.  
The dot-dash broken lines define the bounds of the claimed  
design and form no part thereof. The evenly dashed broken  
line showing of the soil reinforcing stabilizer is for the  
purpose of illustrating portions of the article and forms no  
part of the claimed design.

**1 Claim, 5 Drawing Sheets**



(56)

References Cited

U.S. PATENT DOCUMENTS

5,169,266 A \* 12/1992 Sala ..... C23F 13/02  
405/262  
D417,389 S \* 12/1999 Rhoads ..... D8/389  
D451,785 S \* 12/2001 Chaney ..... D8/354  
D465,992 S \* 11/2002 Sarig ..... E04D 13/1656  
D8/354  
D495,567 S \* 9/2004 Gontar ..... B25D 3/00  
D8/1  
D540,657 S \* 4/2007 Hansort ..... D8/354  
D554,957 S \* 11/2007 Harvey ..... D8/1  
D593,852 S \* 6/2009 Hoebeek ..... D8/394  
D599,630 S \* 9/2009 Taylor ..... D8/1  
D620,622 S \* 7/2010 Steel ..... D25/164  
D686,486 S \* 7/2013 Densmore ..... D8/349  
8,789,805 B2 \* 7/2014 Piggott ..... F28F 9/002  
248/560  
D717,156 S \* 11/2014 Kaihara ..... D8/354  
D841,833 S \* 2/2019 Apanovich ..... D25/199  
D880,996 S \* 4/2020 Cramer ..... D8/384  
10,889,994 B1 \* 1/2021 Schneider ..... E04F 15/02044

D910,422 S \* 2/2021 Lee ..... D8/354  
D926,556 S \* 8/2021 Claudin ..... D8/354  
11,519,151 B2 \* 12/2022 Taylor ..... E02D 29/0233  
D1,000,644 S \* 10/2023 Hu ..... D25/164  
2021/0332549 A1 \* 10/2021 Taylor ..... E02D 29/0241  
2022/0064895 A1 \* 3/2022 Taylor ..... B21D 53/00

OTHER PUBLICATIONS

“Mechanically Stabilized Earth Retaining Walls” Aug. 8, 2020, Reinforced Earth, site visited Oct. 24, 2024: <https://reinforcedearth.com/products/retaining-walls/mechanically-stabilized-earth-mse-retaining-walls/> (Year: 2020).\*

“Laboratory large-scale pullout investigation of a new reinforcement of composite geosynthetic strip” Dec. 18, 2021, Science Direct, site visited Oct. 24, 2024: <https://www.sciencedirect.com/science/article/pii/S1674775521000755> (Year: 2021).\*

“Numerical Study of the Behavior of Back-to-Back Mechanically Stabilized Earth Walls” Apr. 19, 2021, Semantic Scholar, site visited Nov. 7, 2024: <https://pdfs.semanticscholar.org/4f8c/2727c06ead48d197885bd31c707194a51978.pdf> (Year: 2021).\*

\* cited by examiner

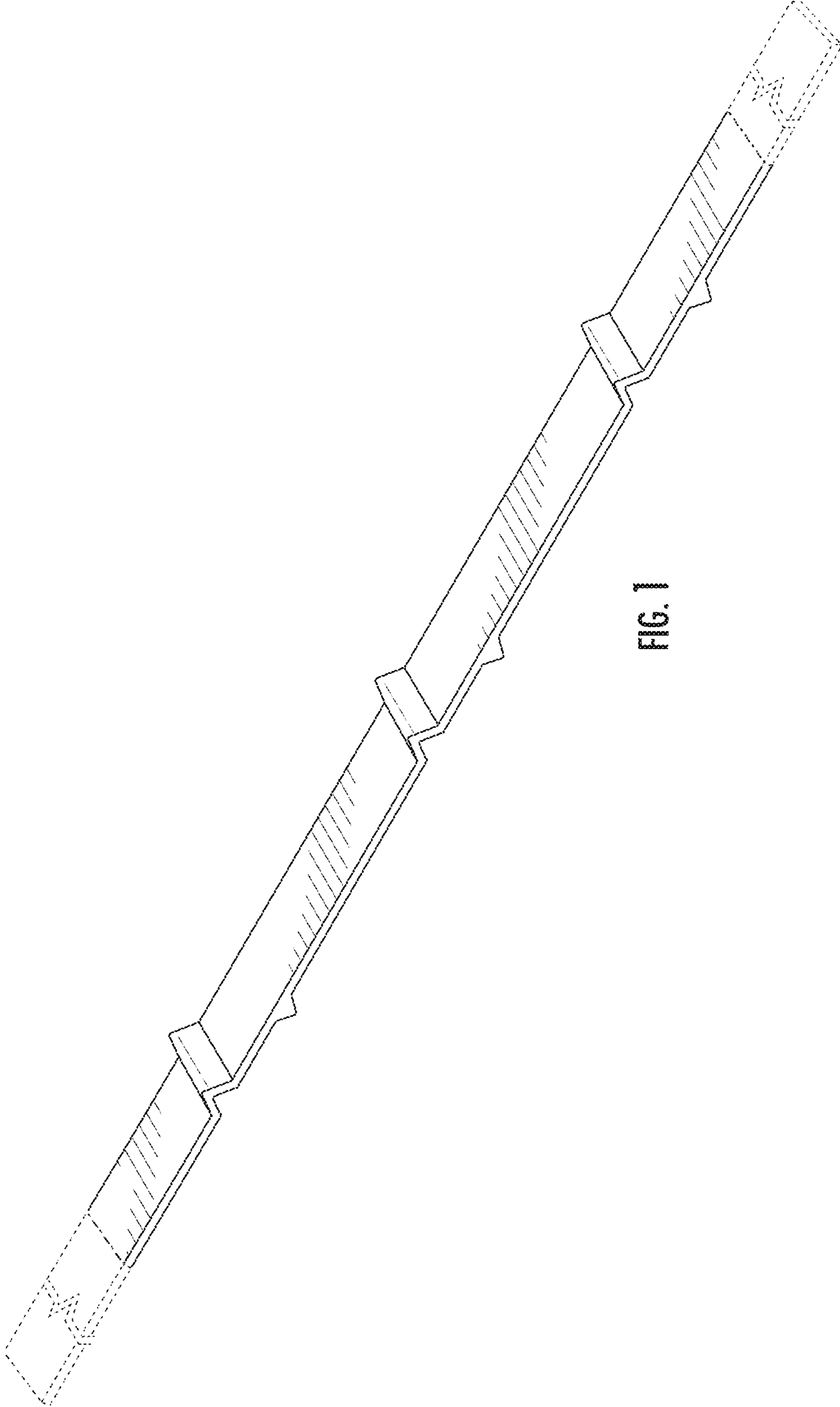


FIG. 1

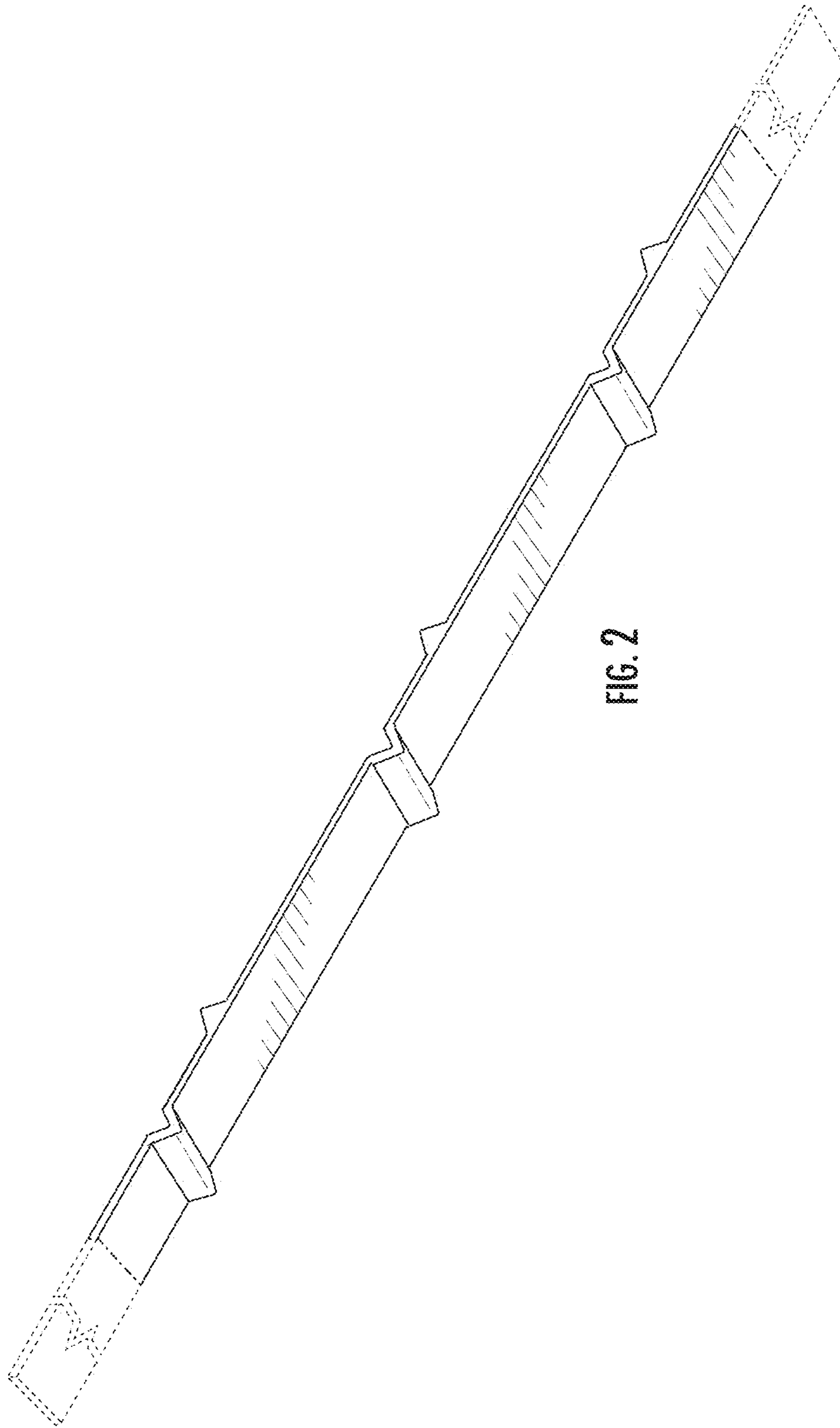


FIG. 2



FIG. 3

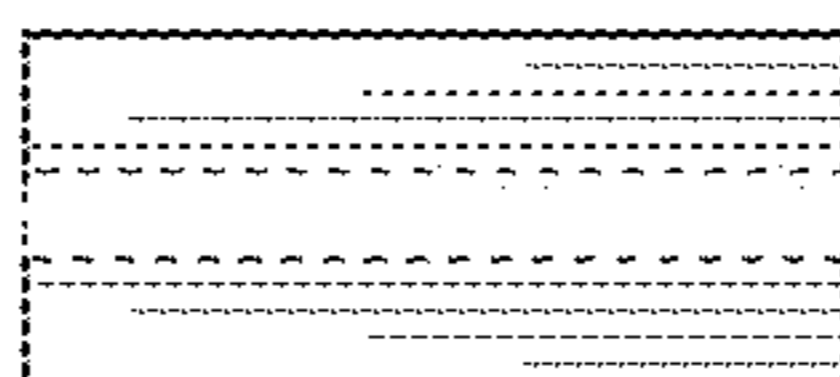


FIG. 4

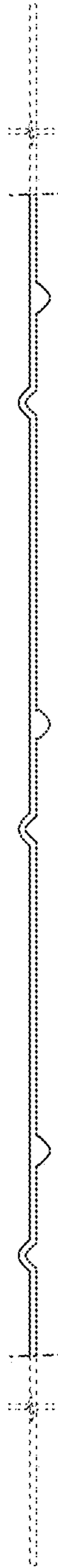


FIG. 5

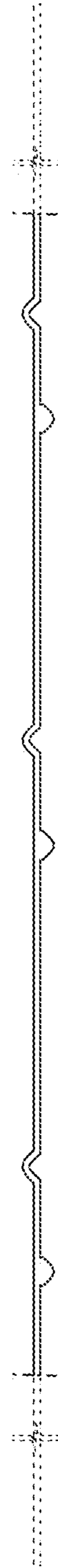


FIG. 6

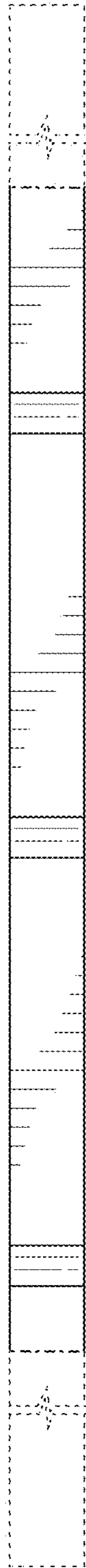


FIG. 7

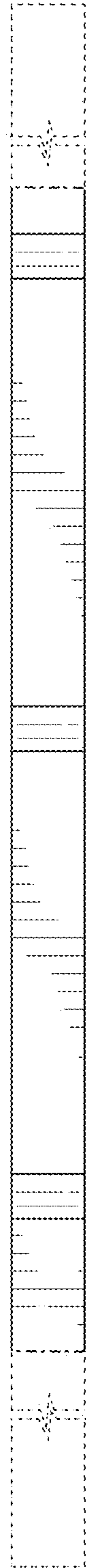


FIG. 8