



US0D1058040S

(12) **United States Design Patent** (10) **Patent No.:** **US D1,058,040 S**
Reid (45) **Date of Patent:** **** Jan. 14, 2025**

(54) **ELECTRONIC VAPORIZER**
(71) Applicant: **iVision Tech Inc.**, Middletown, DE (US)
(72) Inventor: **Blake Reid**, McKinney, TX (US)
(**) Term: **15 Years**
(21) Appl. No.: **29/813,437**
(22) Filed: **Oct. 28, 2021**
(51) **LOC (15) Cl.** **27-07**
(52) **U.S. Cl.**
USPC **D27/162**
(58) **Field of Classification Search**
USPC D27/100, 101, 102-138, 139-161, 162, D27/170, 171, 194-196; D23/360, 366; D24/110, 110.5; D17/13
CPC A24F 40/00; A24F 40/05; A24F 40/40; A24F 40/42; A24F 40/46; A24F 47/002; A24F 47/008; A24D 1/02; A24D 1/14; A24D 1/042; G06F 3/03545
See application file for complete search history.

D912,888 S * 3/2021 Wang D27/162
D914,275 S * 3/2021 Ouyang D27/162
D962,868 S * 9/2022 Ma D13/118
D992,808 S * 7/2023 Huang D27/162
2023/0148661 A1* 5/2023 Liang A24F 40/30
131/329

OTHER PUBLICATIONS

“Xenair”. By “iKrusher”. No publication Date Listed. Found Online (Sep. 18, 2023). (<https://www.ikrusher.com/xenair-dual-pod-vaporizer-starter-kit.html>) (Year: 2023).*

* cited by examiner

Primary Examiner — Marissa J Cash
Assistant Examiner — Nicholas J Buffa
(74) *Attorney, Agent, or Firm* — Clement Cheng

(57) **CLAIM**

The ornamental design for an electronic vaporizer as shown and described.

DESCRIPTION

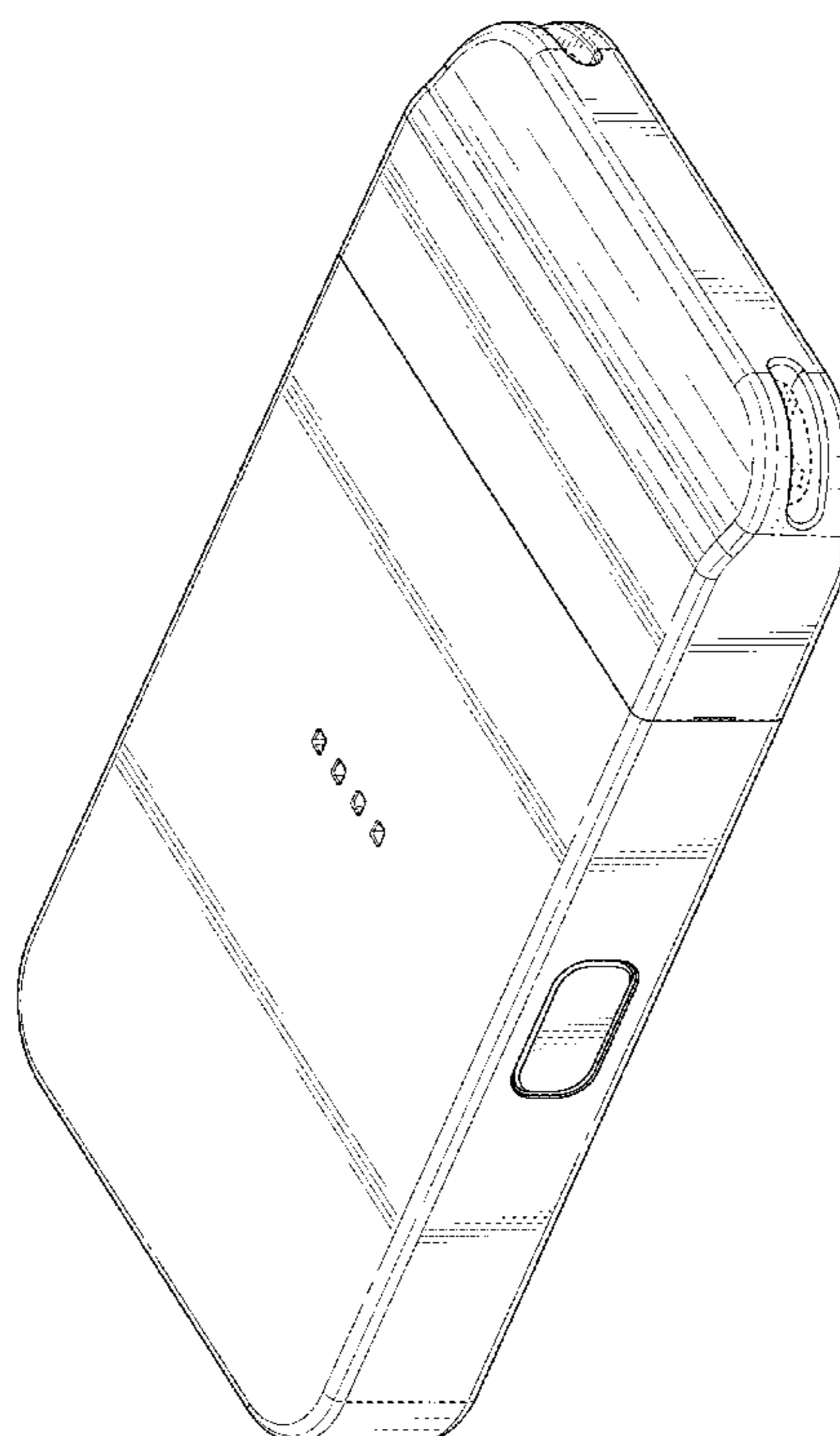
FIG. 1 is a front perspective view.
FIG. 2 is a back perspective view.
FIG. 3 is a front view.
FIG. 4 is a back side view.
FIG. 5 is a right side view.
FIG. 6 is a left side view.
FIG. 7 is a top view; and,
FIG. 8 is a bottom view.
The broken lines in the drawings depict portions of the electronic vaporizer that form no part of the claimed design.

1 Claim, 7 Drawing Sheets

(56) **References Cited**

U.S. PATENT DOCUMENTS

D790,766 S * 6/2017 Li D27/163
D832,504 S * 10/2018 Qiu D27/163
D846,798 S * 4/2019 Chen D27/163
D884,267 S * 5/2020 Wang D27/162
D900,385 S * 10/2020 Wang D27/162
D902,475 S * 11/2020 Liu D27/101
D906,586 S * 12/2020 Huang D27/101
D908,278 S 1/2021 Scatterday



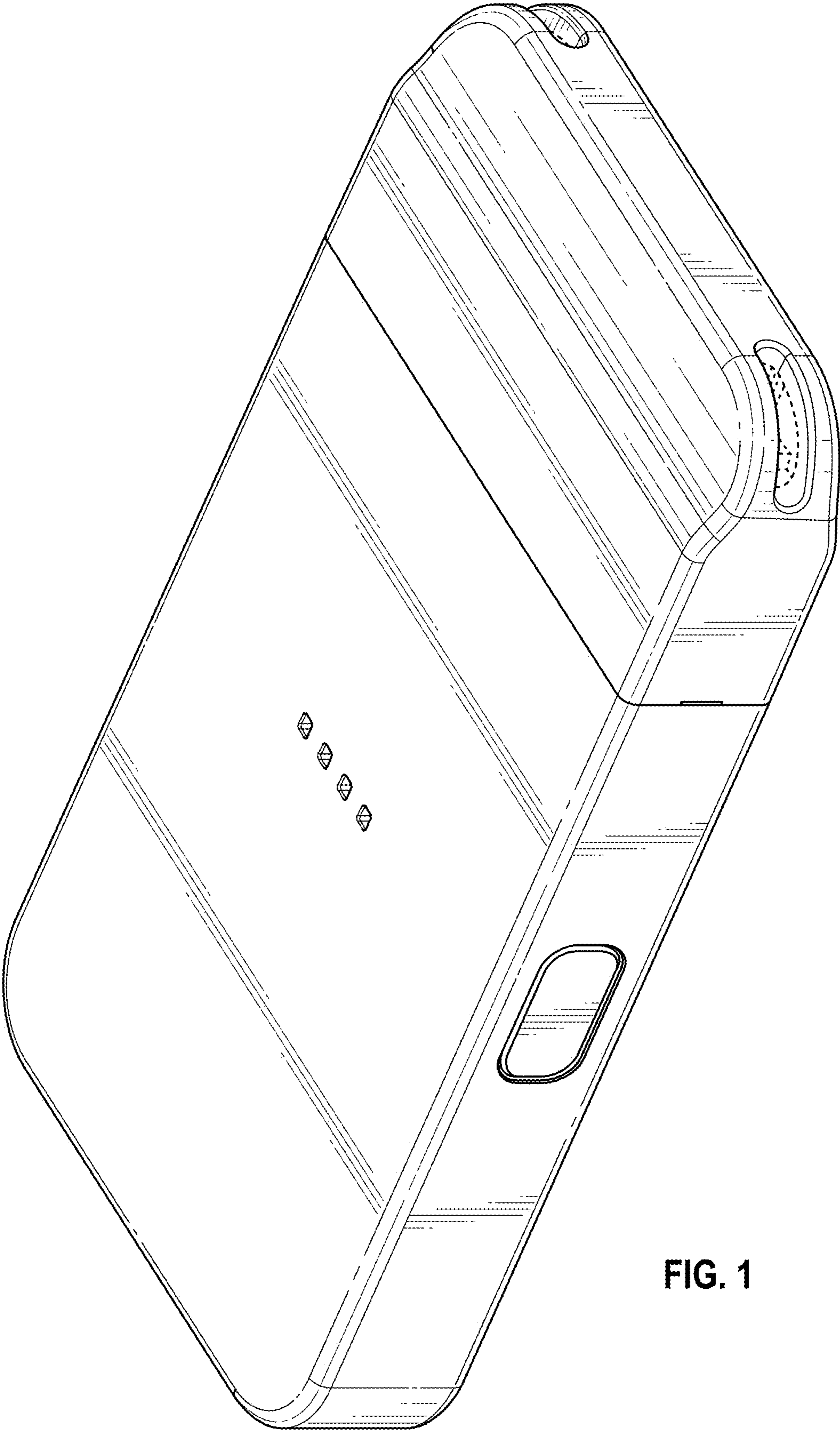


FIG. 1

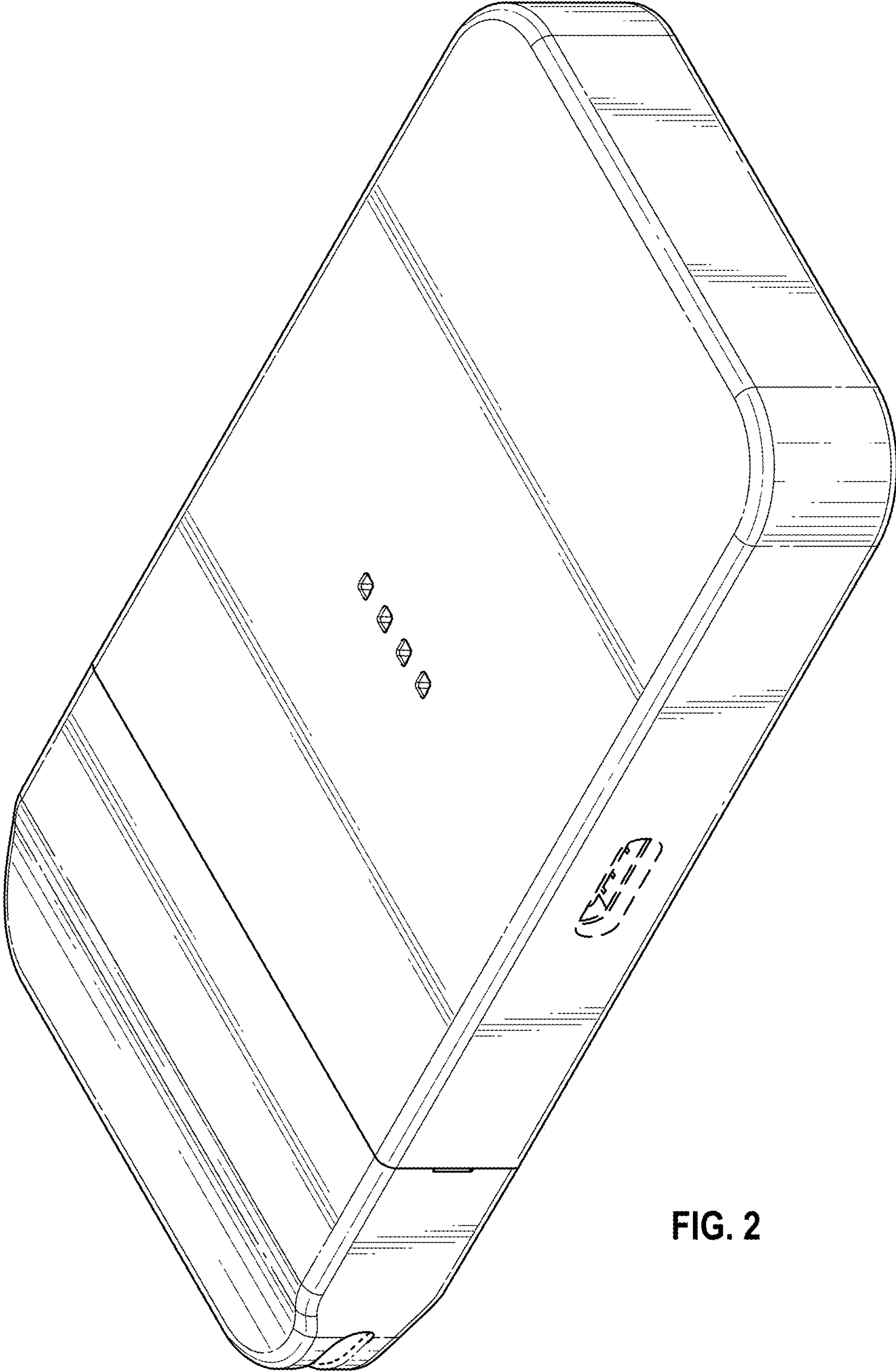


FIG. 2

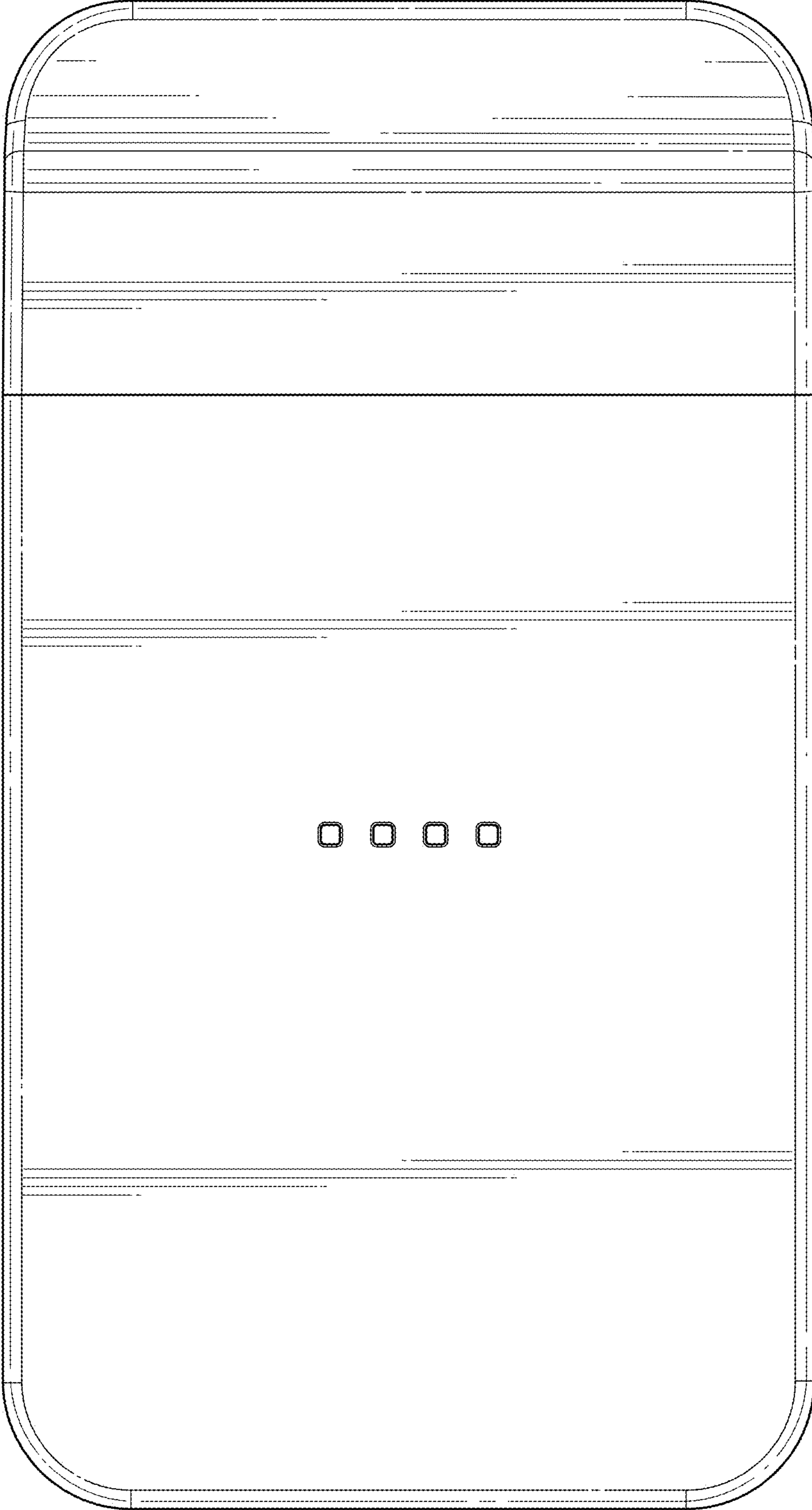


FIG. 3

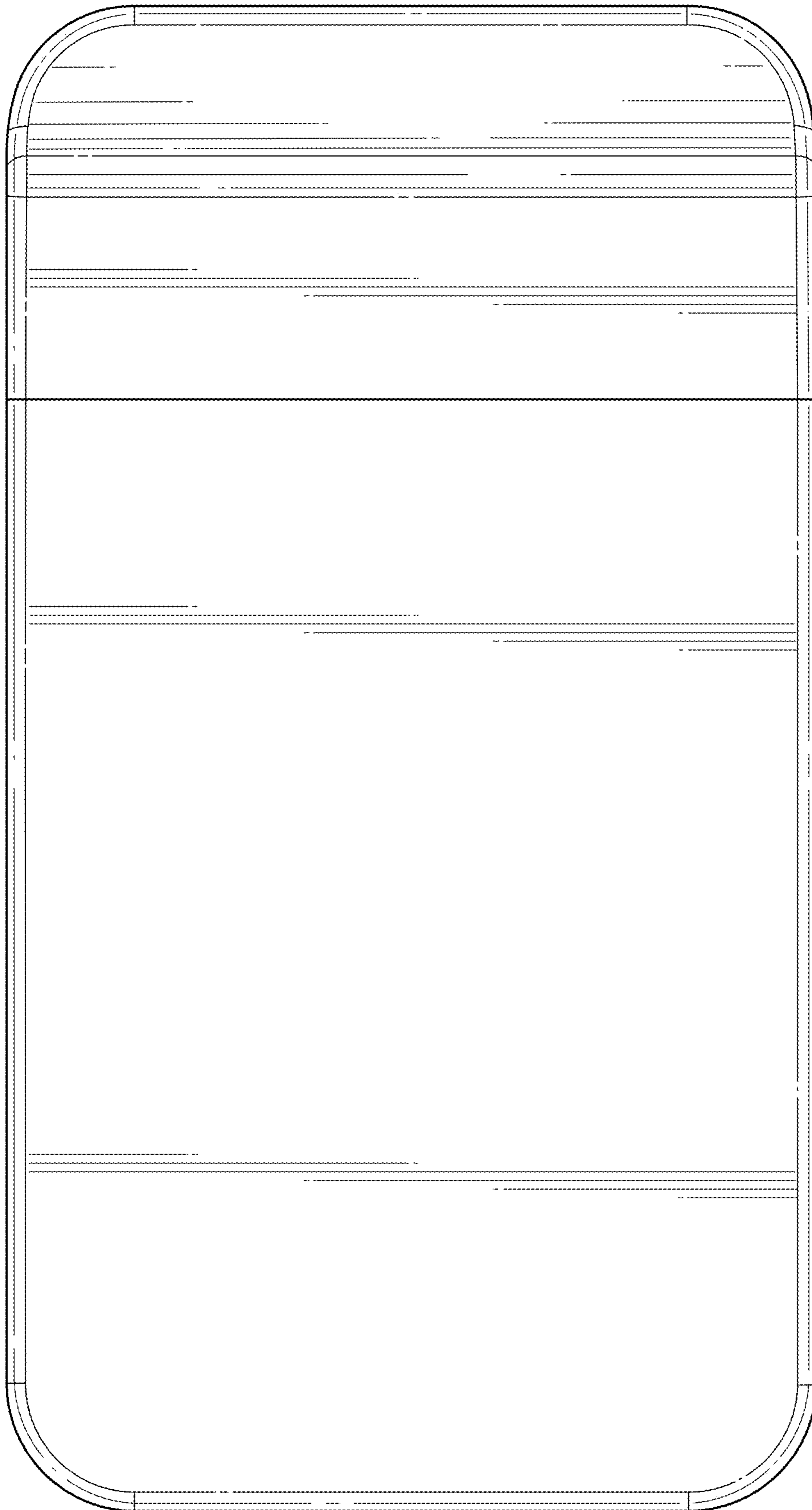


FIG. 4

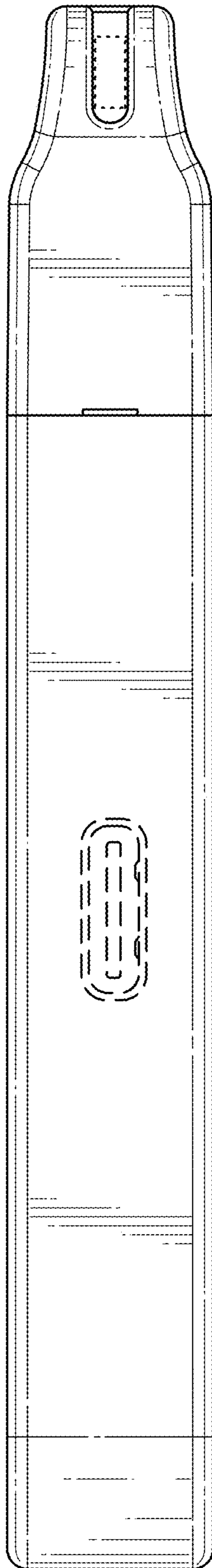


FIG. 5

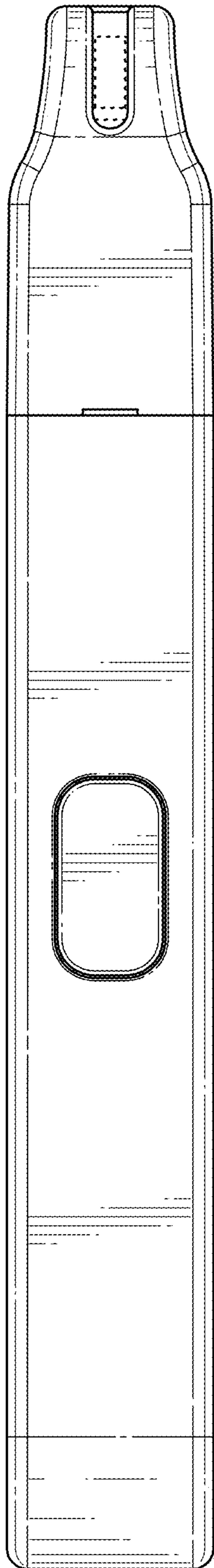


FIG. 6

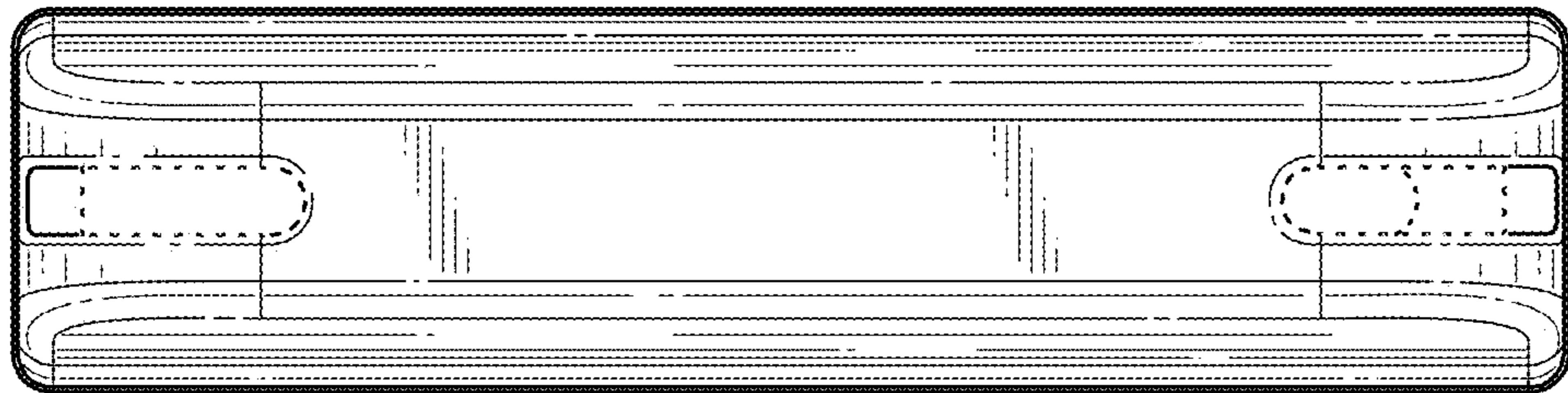


FIG. 7

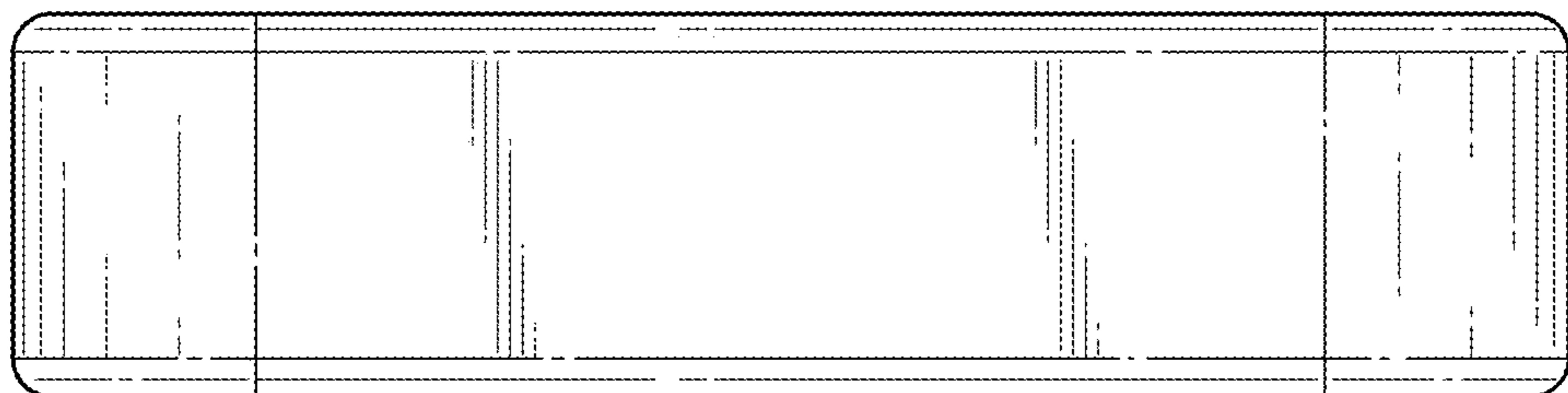


FIG. 8