



US0D1057628S

(12) **United States Design Patent**
Echazabal et al.

(10) **Patent No.: US D1,057,628 S**
(45) **Date of Patent: ** Jan. 14, 2025**

(54) **VEHICLE WHEEL**

D572,185 S 7/2008 Pollmann
D579,397 S 10/2008 Osborne
D581,851 S 12/2008 Scheu
D586,715 S 2/2009 Cortes
(Continued)

(71) Applicant: **Toyota Motor North America, Inc.**,
Plano, TX (US)

(72) Inventors: **Alberto Echazabal**, Prosper, TX (US);
Jakin C. Wilson, Prosper, TX (US)

(73) Assignee: **Toyota Motor North America, Inc.**,
Plano, TX (US)

(**) Term: **15 Years**

(21) Appl. No.: **29/892,532**

(22) Filed: **May 18, 2023**

(51) **LOC (15) Cl.** **12-16**

(52) **U.S. Cl.**
USPC **D12/209**

(58) **Field of Classification Search**
USPC D12/204, 205, 206, 207, 208, 209–213;
D15/10, 33; D21/561, 563
CPC B60B 1/00; B60B 1/08; B60B 1/10; B60B
1/12; B60B 3/02; B60B 3/04; B60B 3/06;
B60B 3/10; B60B 7/00; B60B 7/01;
B60B 7/02; B60B 7/04
See application file for complete search history.

(56) **References Cited**

U.S. PATENT DOCUMENTS

D395,031 S	6/1998	Timm
D402,952 S	12/1998	Sycha
D475,336 S	6/2003	Larson
D485,524 S	1/2004	Bhambra
D487,881 S	3/2004	Laengerer
D496,623 S	9/2004	Elmitt
D513,487 S	1/2006	Wachtler
D526,610 S	8/2006	Muzzarelli
D540,238 S	4/2007	Sycha
D547,251 S	7/2007	Baum
D554,035 S	10/2007	Groom
D570,762 S	6/2008	Scheu

FOREIGN PATENT DOCUMENTS

GB	9001826058-0026	2/2011
IN	250934-0001	9/2013
WO	D200525-006	4/2019

OTHER PUBLICATIONS

ALY75191U45 Toyota Tacoma Wheel_Rim Matte Black Painted,
posted date unknown [online], [retrieved Aug. 28, 2024]. Retrieved
from internet, <https://www.hubcaphaven.com/p/25463/aly75191A-toyota-tacoma-wheel-black-painted-pt946-35160-02.html> (Year: 2024).*

(Continued)

Primary Examiner — Darlington Ly
Assistant Examiner — Jeremy Koenig
(74) *Attorney, Agent, or Firm* — Dinsmore & Shohl LLP

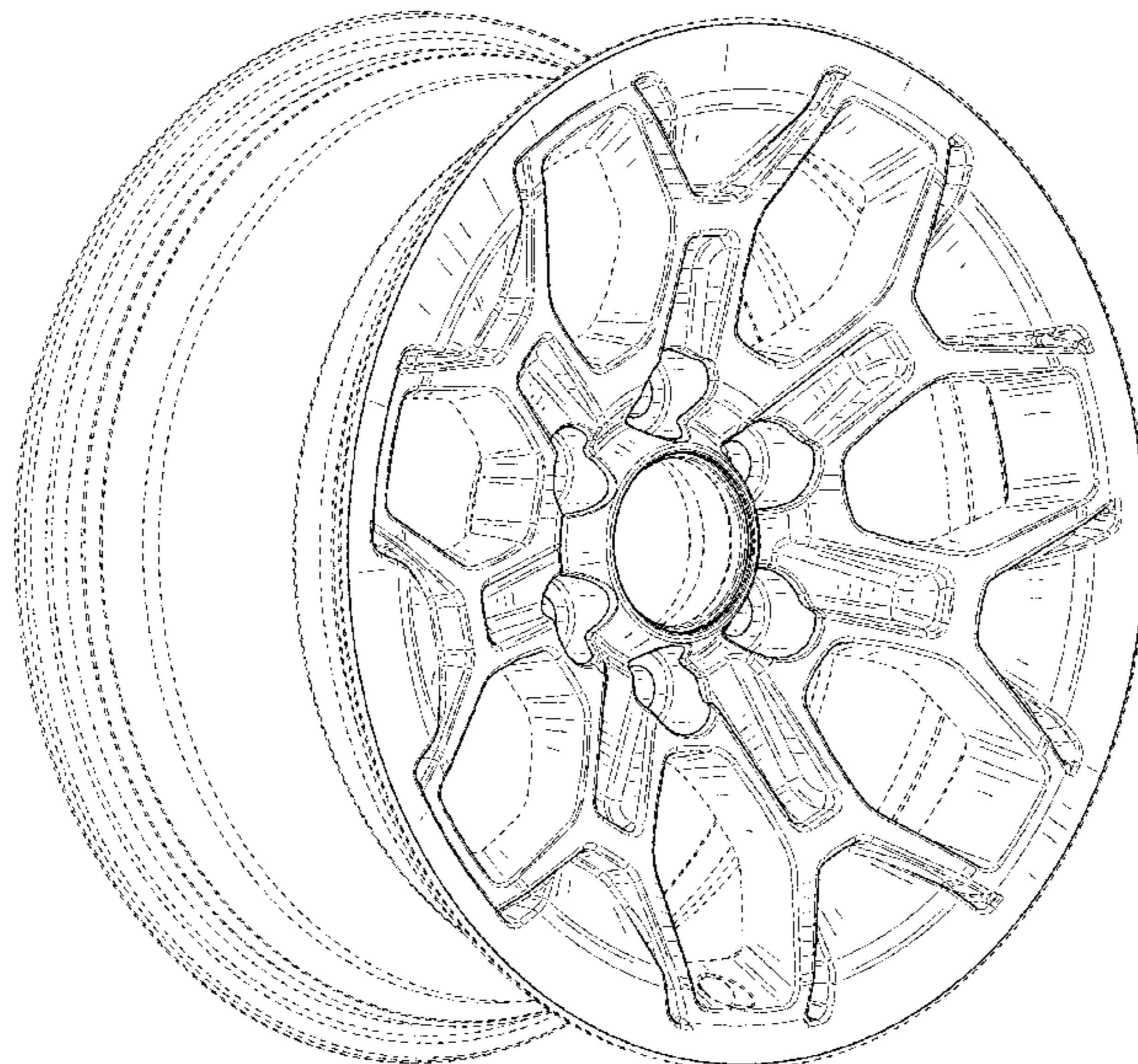
(57) **CLAIM**

The ornamental design for a vehicle wheel as shown and described.

DESCRIPTION

FIG. 1 is a front perspective view of a vehicle wheel illustrating our new design;
FIG. 2 is a rear perspective view thereof;
FIG. 3 is a front elevation view thereof;
FIG. 4 is a rear elevation view thereof; and,
FIG. 5 is a side elevation view thereof.
The broken lines in the drawings illustrate portions of the vehicle wheel that form no part of the claimed design. The dot-dashed lines are included for the purpose of illustrating boundary lines and form no part of the claimed design.

1 Claim, 5 Drawing Sheets



(56)

References Cited

U.S. PATENT DOCUMENTS

D589,427 S 3/2009 Scheu
 D625,238 S 10/2010 Zhao
 D628,135 S 11/2010 Zhao
 D629,732 S 12/2010 Tirado
 D644,587 S 9/2011 Gotschke
 D656,448 S 3/2012 Zhao
 D670,227 S 11/2012 Chung
 D673,092 S 12/2012 Platto et al.
 D673,096 S 12/2012 Platto et al.
 D687,756 S 8/2013 Campbell et al.
 D688,187 S 8/2013 Mcmath
 D706,198 S 6/2014 Chung
 D718,203 S * 11/2014 Whyte D12/209
 D723,990 S 3/2015 Muntada
 D731,946 S 6/2015 Chung
 D733,027 S 6/2015 Chung
 D735,102 S 7/2015 Swanseger
 D750,004 S 2/2016 Chung
 D758,948 S 6/2016 Trpinac
 D765,002 S 8/2016 Hoste et al.
 D767,468 S 9/2016 Stone et al.
 D781,199 S 3/2017 Dionisopoulos et al.
 D786,165 S 5/2017 Hale, Jr.
 D787,405 S 5/2017 Nakamura
 D791,036 S * 7/2017 Owens D12/209
 D792,827 S 7/2017 Chung
 D796,407 S 9/2017 Krause
 D799,399 S 10/2017 Chung
 D800,044 S * 10/2017 Ghobrial D12/209
 D810,647 S 2/2018 Heizmann
 D817,846 S * 5/2018 Stone D12/209
 D825,426 S 8/2018 Myrberg

D835,024 S 12/2018 Han
 D849,660 S 5/2019 Ranum
 D854,487 S 7/2019 Hale
 D876,309 S 2/2020 Echazabal
 D883,175 S 5/2020 Metros et al.
 D885,288 S 5/2020 Preyss et al.
 D885,297 S 5/2020 Hale
 D912,589 S 3/2021 Hale, Jr.
 D915,983 S 4/2021 Chu et al.
 D917,366 S 4/2021 Groth
 D918,814 S 5/2021 Kraljevic
 D922,291 S * 6/2021 Kaoud D12/209
 D929,924 S 9/2021 Mukti
 D944,706 S 3/2022 Echazabal et al.
 D944,707 S * 3/2022 Echazabal D12/209
 D944,711 S 3/2022 Carbis et al.
 D945,347 S * 3/2022 Mukti D12/209
 D973,006 S * 12/2022 Echazabal D12/211
 D993,132 S * 7/2023 Han D12/213
 D1,015,981 S * 2/2024 Baaske D12/204
 D1,016,707 S * 3/2024 Han D12/211
 D1,019,511 S * 3/2024 Scenna D12/211
 D1,021,737 S * 4/2024 Echazabal D12/211
 D1,032,470 S * 6/2024 Kraljevic D12/211
 D1,033,315 S * 7/2024 Rex D12/211

OTHER PUBLICATIONS

Drake Wheels S45395512B CS-45 F150 BLK, posted Mar. 12, 2019 [online], [retrieved Aug. 28, 2024]. Retrieved from internet, <https://www.amazon.com/DRAKE-WHEELS-S45395512B-CS-45-F150/dp/B07V1VCVHC> (Year: 2019).*

* cited by examiner

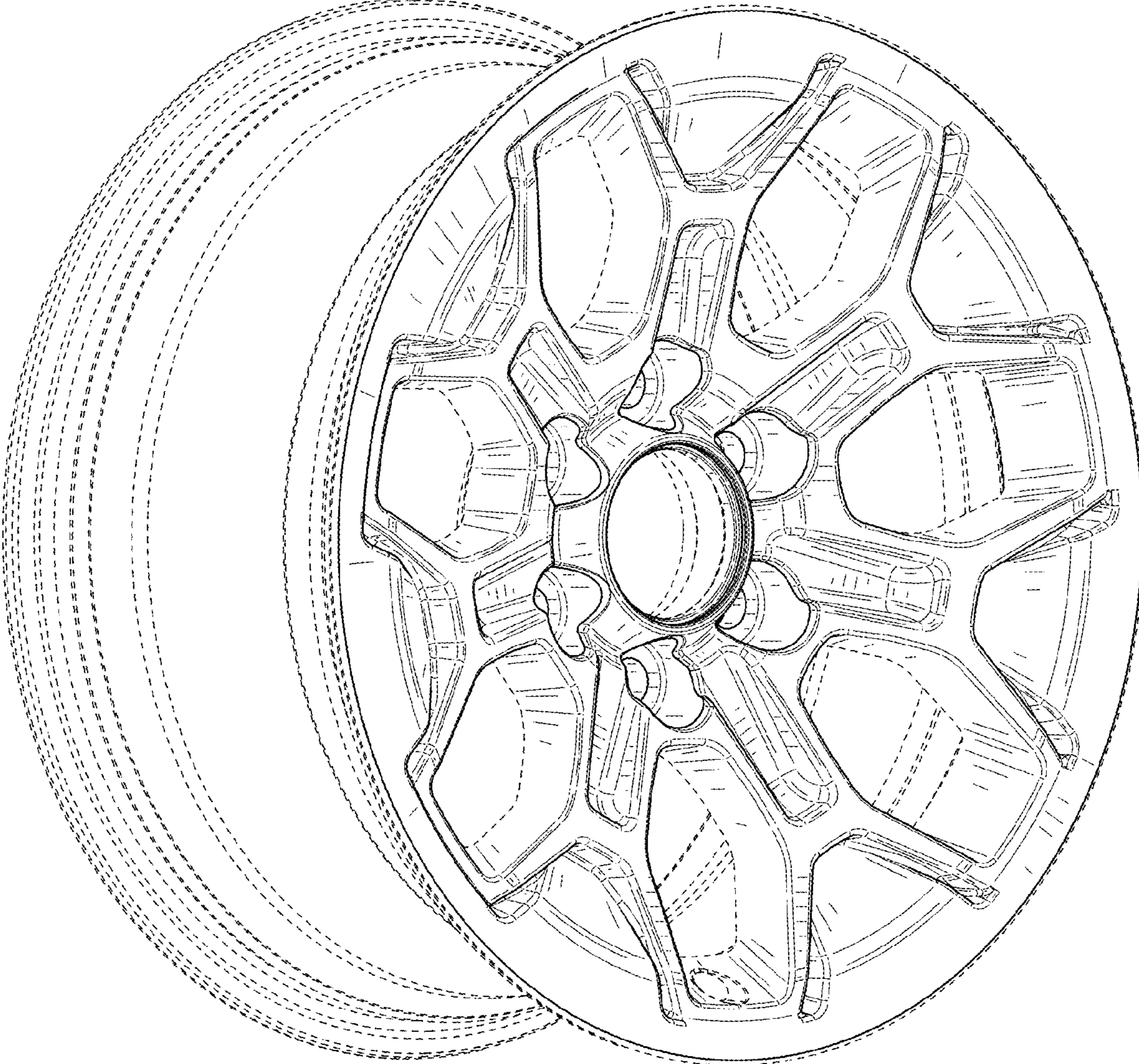


FIG. 1

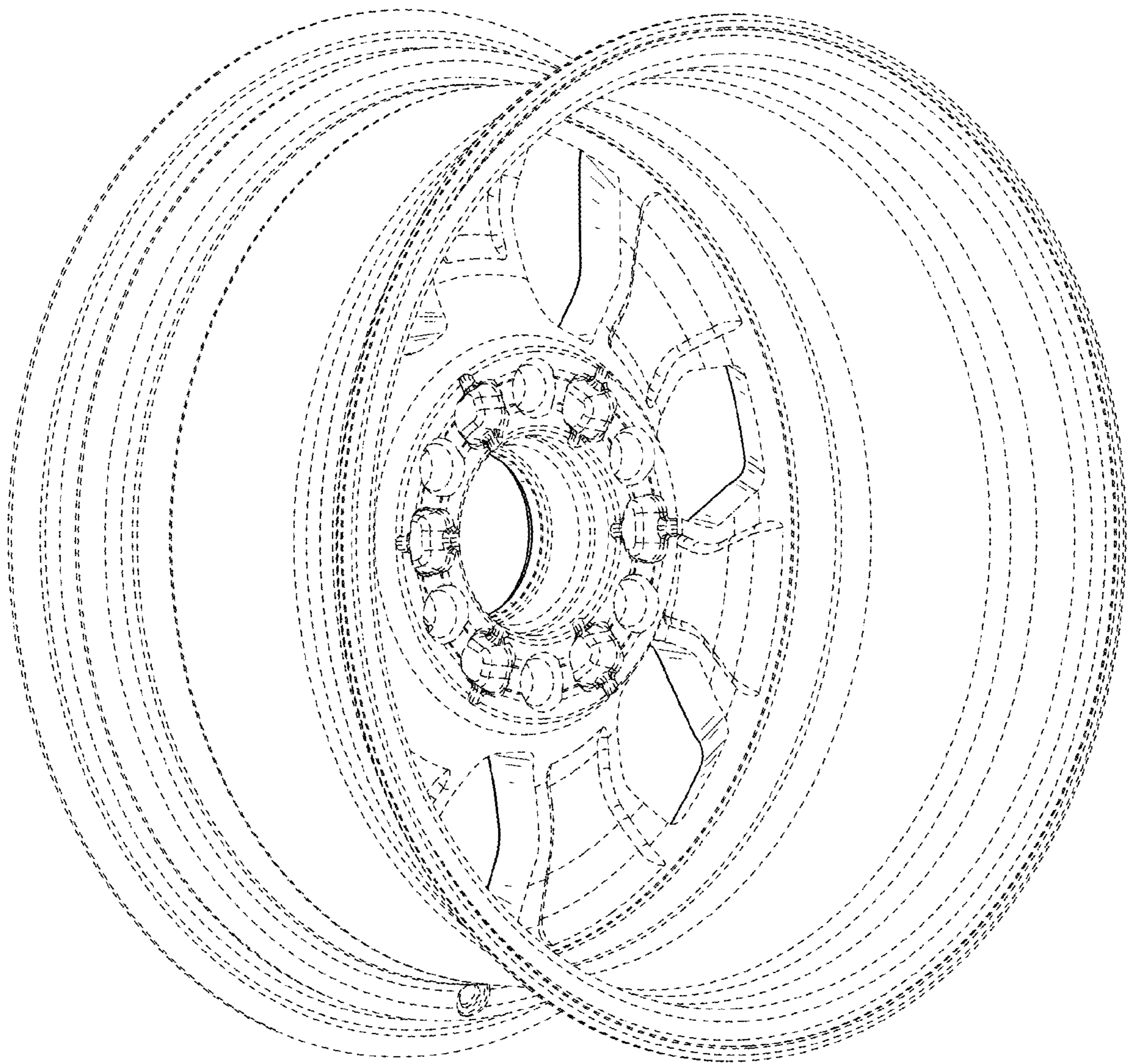


FIG. 2

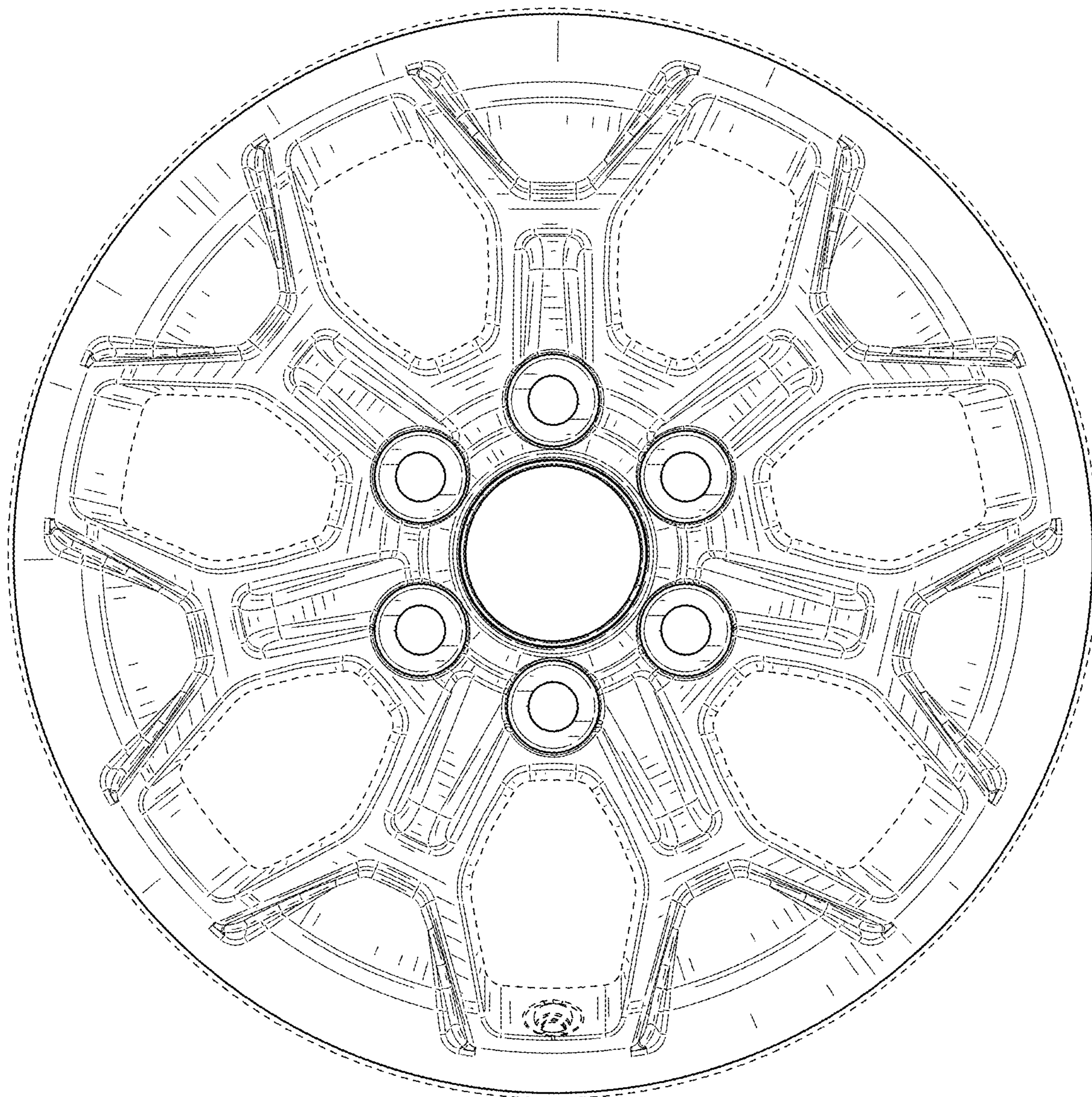


FIG. 3

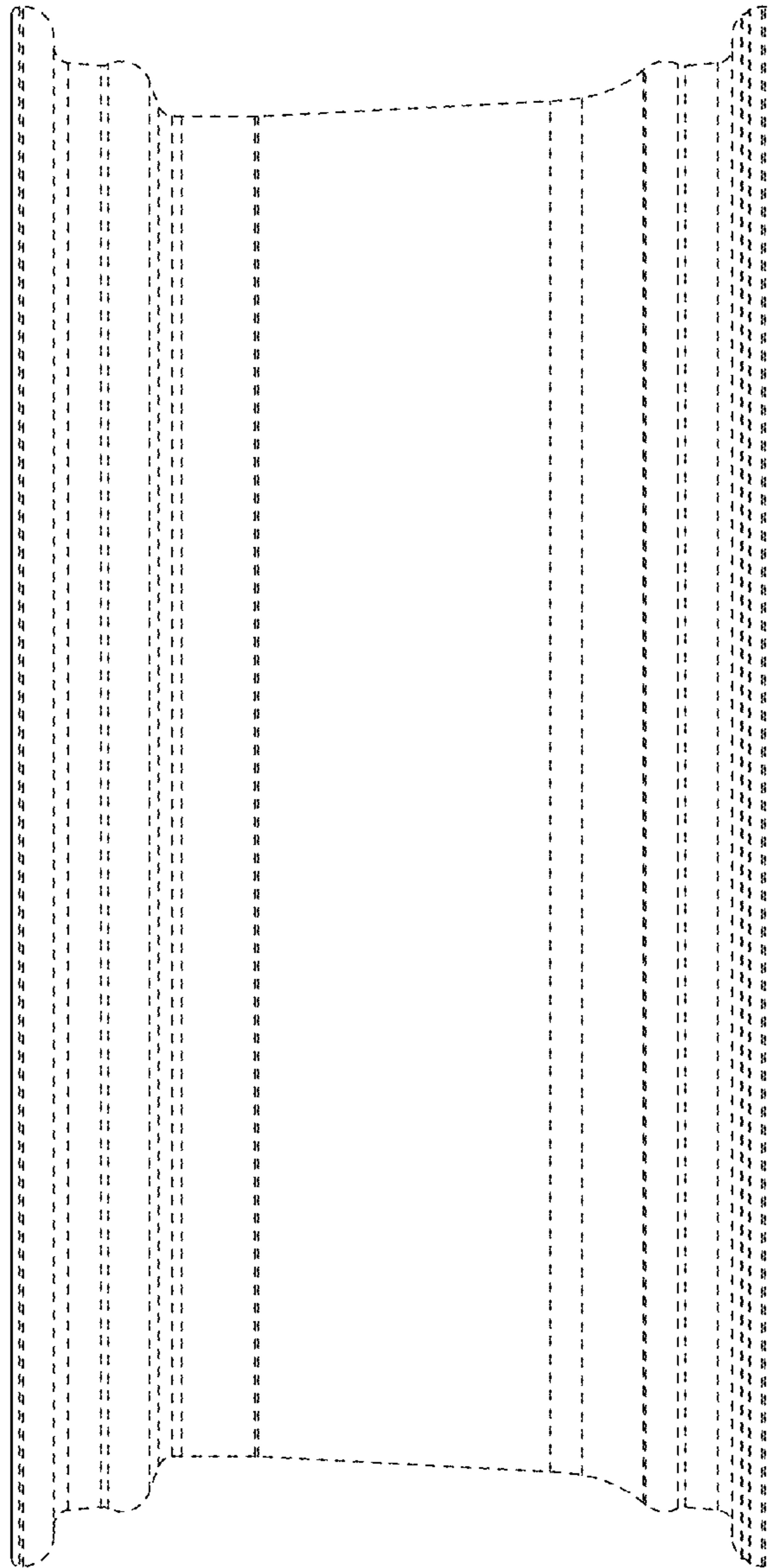


FIG. 4

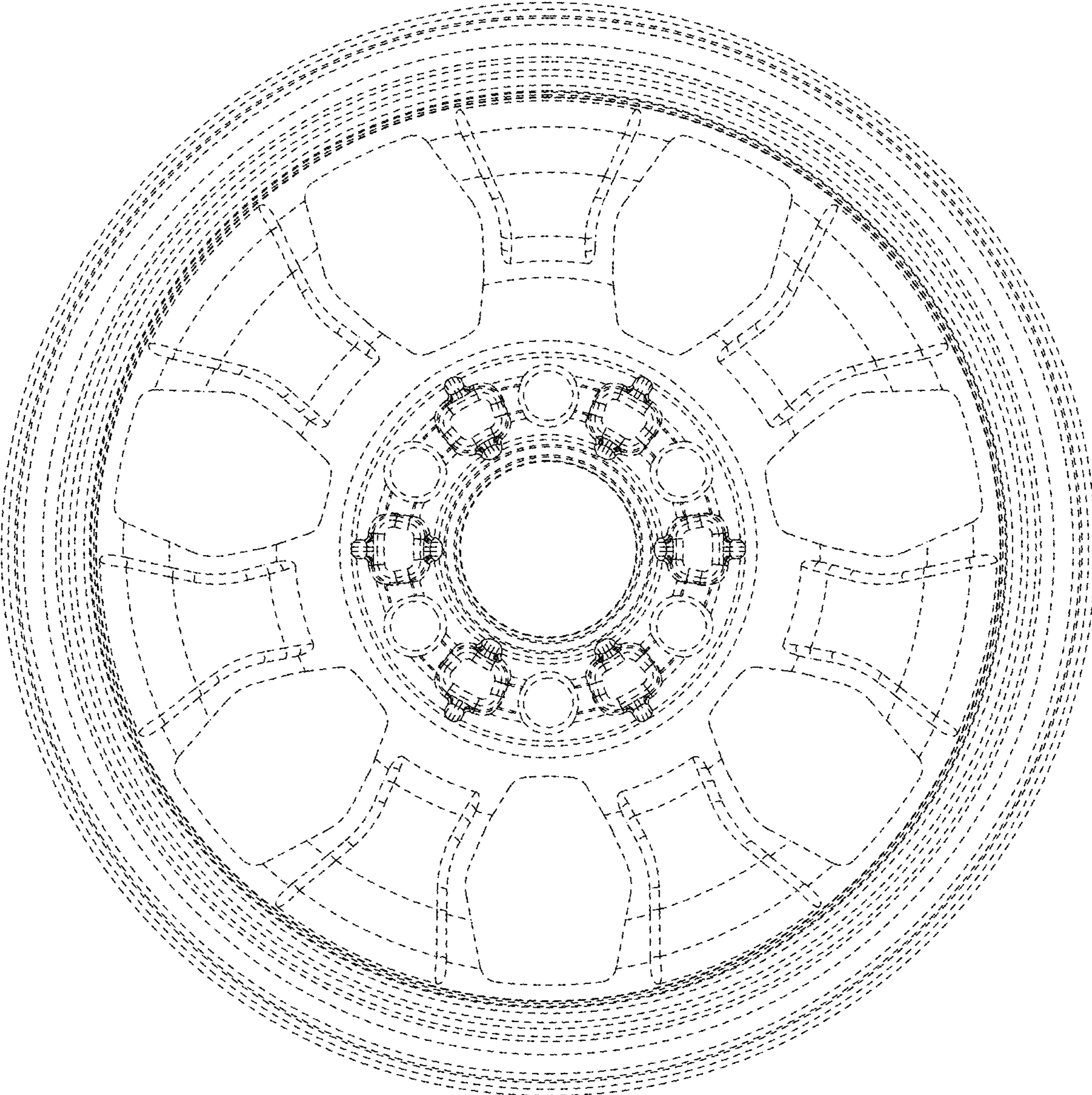


FIG. 5