



US0D1057422S

(12) **United States Design Patent** (10) **Patent No.:** **US D1,057,422 S**  
**Partridge** (45) **Date of Patent:** **\*\* Jan. 14, 2025**

(54) **TRAY ASSEMBLY**

(71) Applicant: **Vineta Partridge**, Cumby, TX (US)

(72) Inventor: **Vineta Partridge**, Cumby, TX (US)

(\*\*) Term: **15 Years**

(21) Appl. No.: **29/836,675**

(22) Filed: **Apr. 28, 2022**

(51) **LOC (15) Cl.** ..... **03-01**

(52) **U.S. Cl.**  
USPC ..... **D3/305**; D19/86

(58) **Field of Classification Search**  
USPC ..... D3/304–315, 901–903; D19/75, 86, 92,  
D19/102, 107  
CPC ... B65D 1/00; B65D 1/34; B65D 1/22; B65D  
1/24; B65D 21/0209; B65D 21/00; B65D  
5/00; B65D 11/20; A47G 19/065; A47G  
19/02; A47G 19/06; A47G 23/06; B25H  
3/003

See application file for complete search history.

(56) **References Cited**

**U.S. PATENT DOCUMENTS**

D272,637	S	*	2/1984	Barbieri	.....	D19/92
D292,539	S	*	10/1987	Harlow, Jr.	.....	D99/29
D303,310	S	*	9/1989	Ross	.....	D3/304
D327,503	S	*	6/1992	Szablak	.....	D19/86
D335,505	S	*	5/1993	Chan	.....	D19/86
D348,405	S	*	7/1994	Storey	.....	D10/70
5,363,974	A	*	11/1994	Chan	.....	B42F 7/12 211/11
D438,688	S	*	3/2001	Rastetter	.....	D99/29
D531,379	S	*	10/2006	Piner	.....	D99/29
D679,501	S	*	4/2013	Hu	.....	D3/306

D709,289	S	*	7/2014	Kraemer	.....	D19/92
D883,377	S	*	5/2020	Jin	.....	D19/92
2002/0109005	A1	*	8/2002	Billings	.....	A47G 29/12097 232/29

**OTHER PUBLICATIONS**

Easy Slide-Out Rural Mailbox Extender Tray, first available Apr. 3, 2017, amazon.com [online], [site visited Dec. 7, 2023], Available at URL: <https://us.amazon.com/Easy-Slide-Out-Rural-Mailbox-Extender/dp/B06XZW6BGN> (Year: 2017).\*

\* cited by examiner

*Primary Examiner* — Michelle E. Wilson

*Assistant Examiner* — Caitlin A Laverty

(74) *Attorney, Agent, or Firm* — Law Office of Jeff Williams PLLC; J. Oliver Williams

(57) **CLAIM**

The ornamental design for a tray assembly as shown.

**DESCRIPTION**

FIG. 1 is an upper oblique view of a tray assembly according to the present application.

FIG. 2 is a lower oblique view of the tray assembly of FIG. 1.

FIG. 3 is a front view of the tray assembly of FIG. 1.

FIG. 4 is a rear view of the tray assembly of FIG. 1.

FIG. 5 is a right view of the tray assembly of FIG. 1.

FIG. 6 is a left view of the tray assembly of FIG. 1.

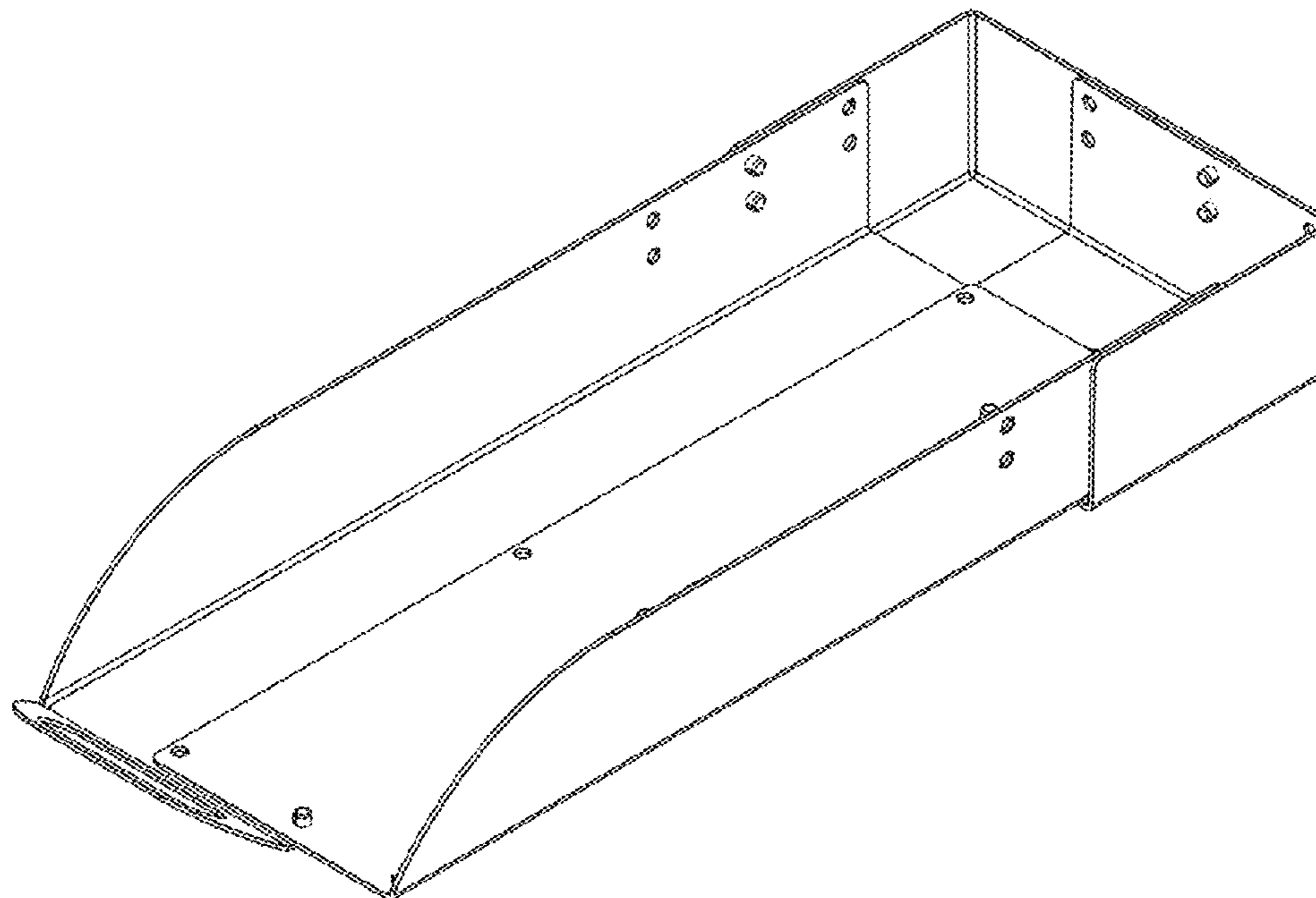
FIG. 7 is a top view of the tray assembly of FIG. 1.

FIG. 8 is a bottom view of the tray assembly of FIG. 1.

FIG. 9 is an upper exploded view of the tray assembly of FIG. 1; and,

FIG. 10 is a lower exploded view of the tray assembly of FIG. 1.

**1 Claim, 7 Drawing Sheets**



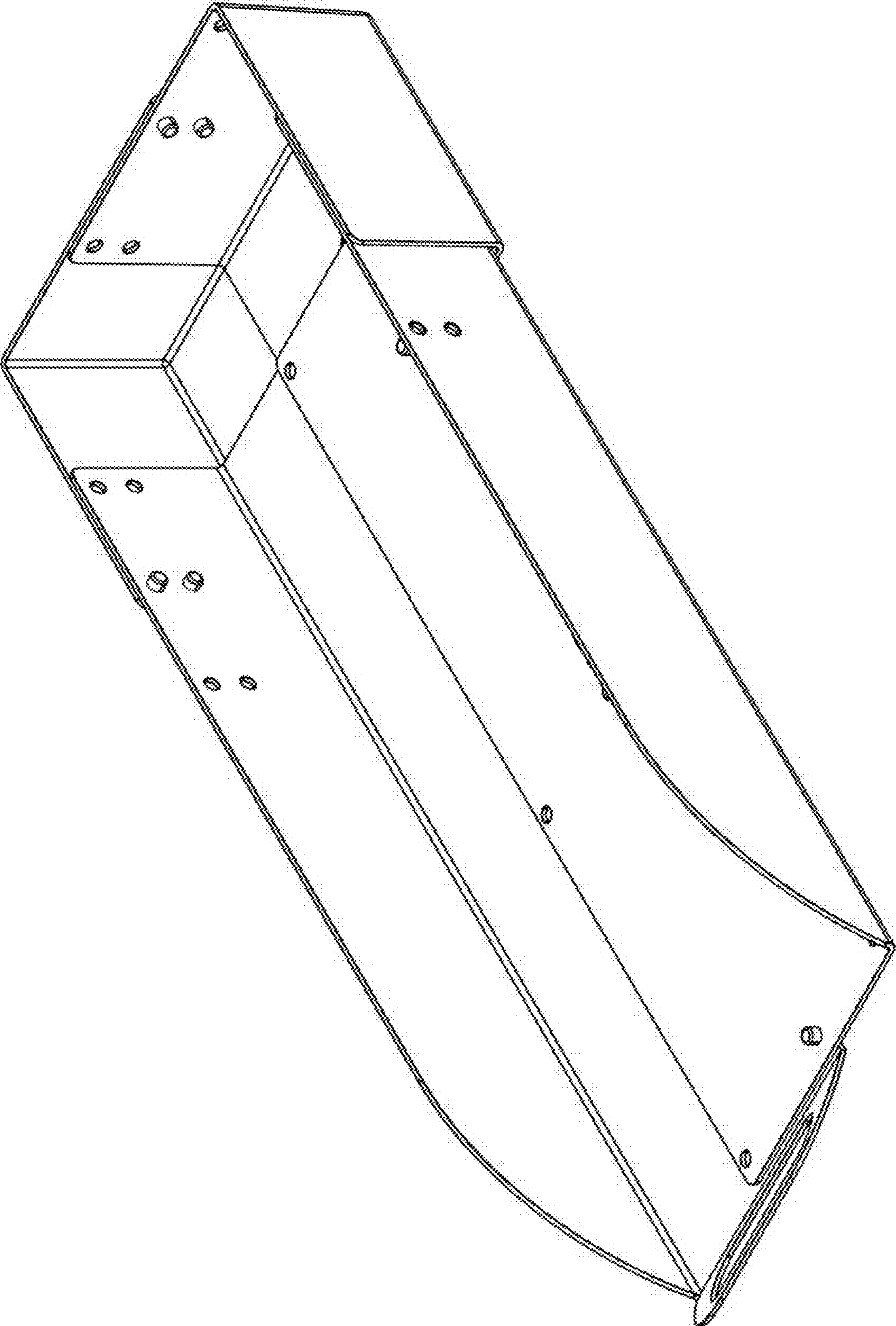


FIG. 1

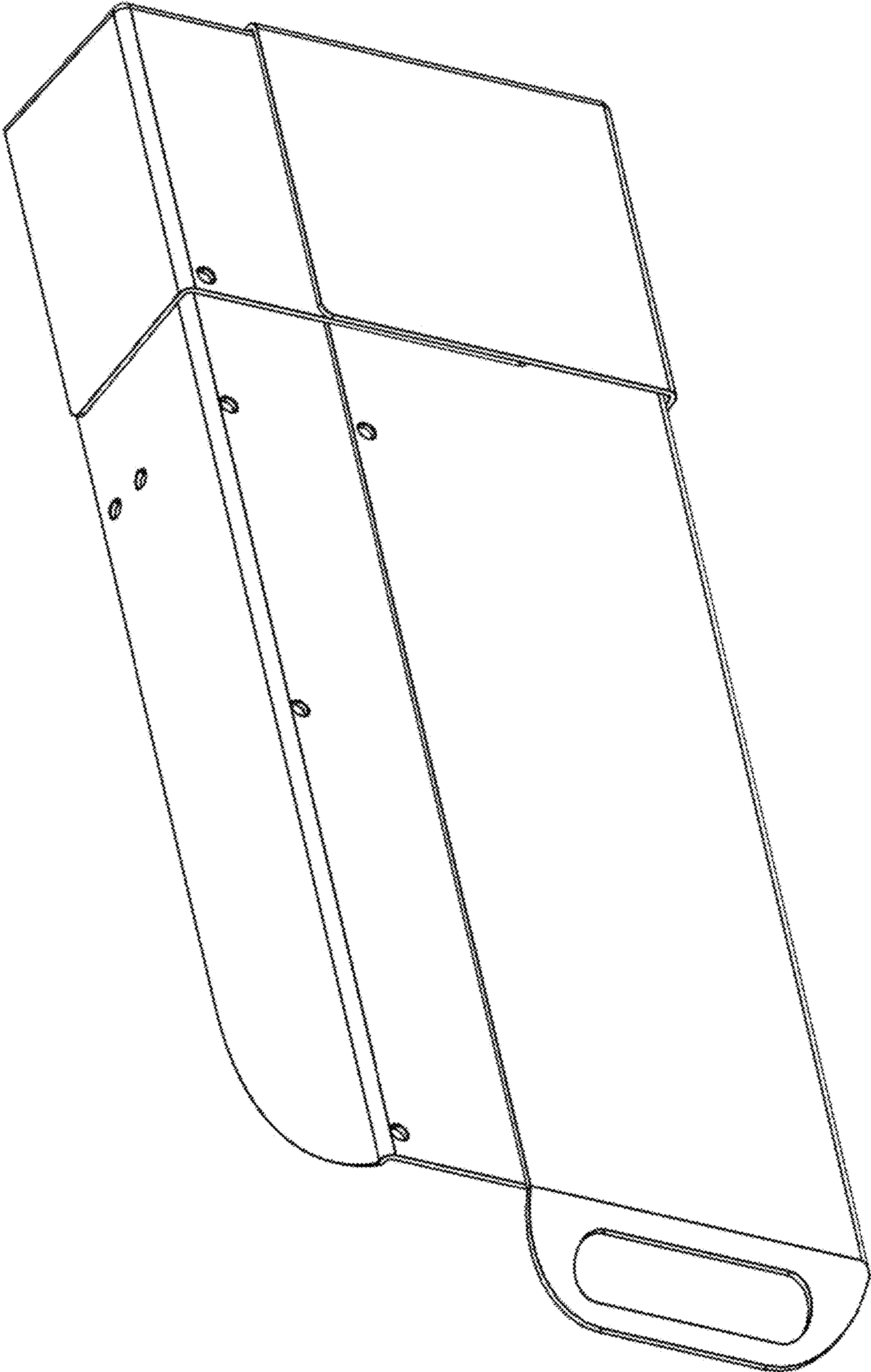


FIG. 2

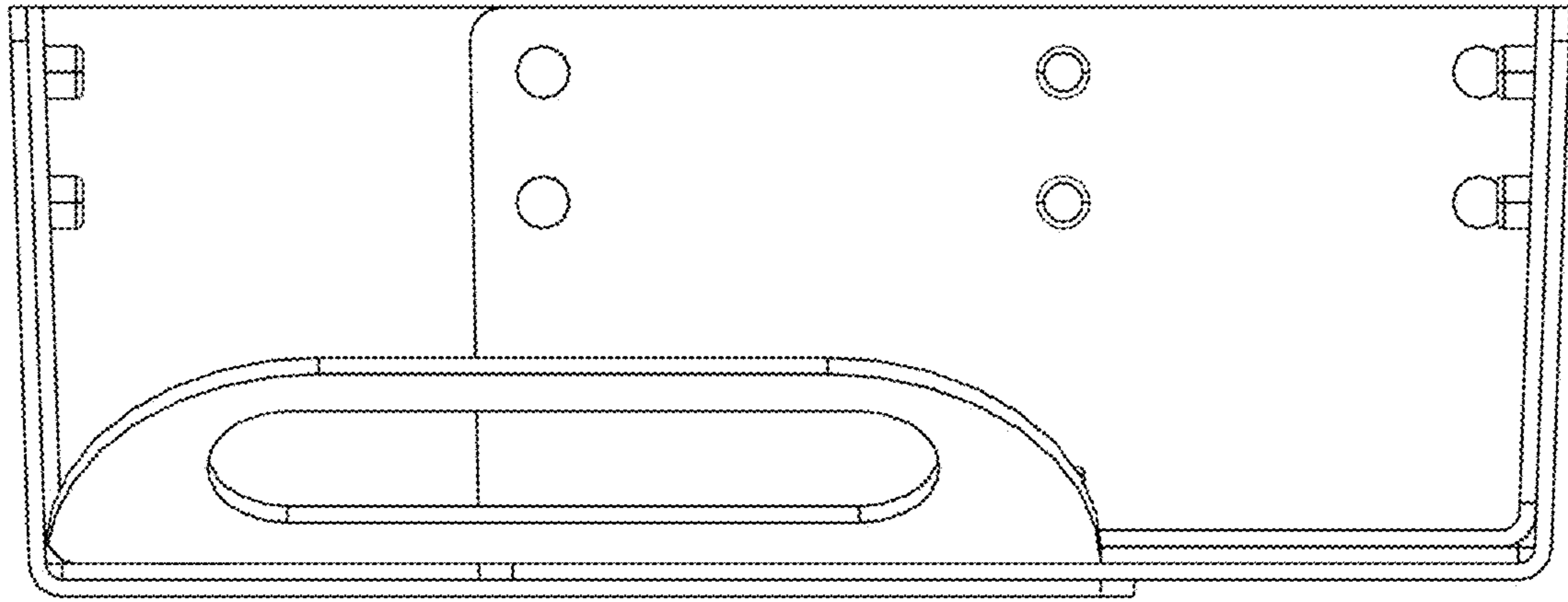


FIG. 3



FIG. 4

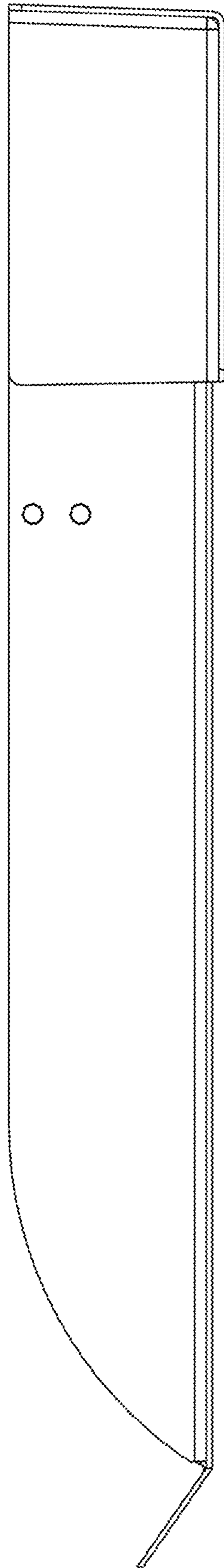


FIG. 5

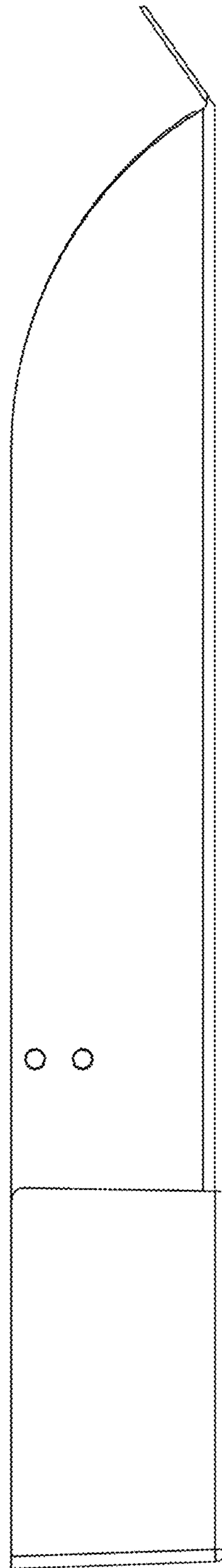


FIG. 6

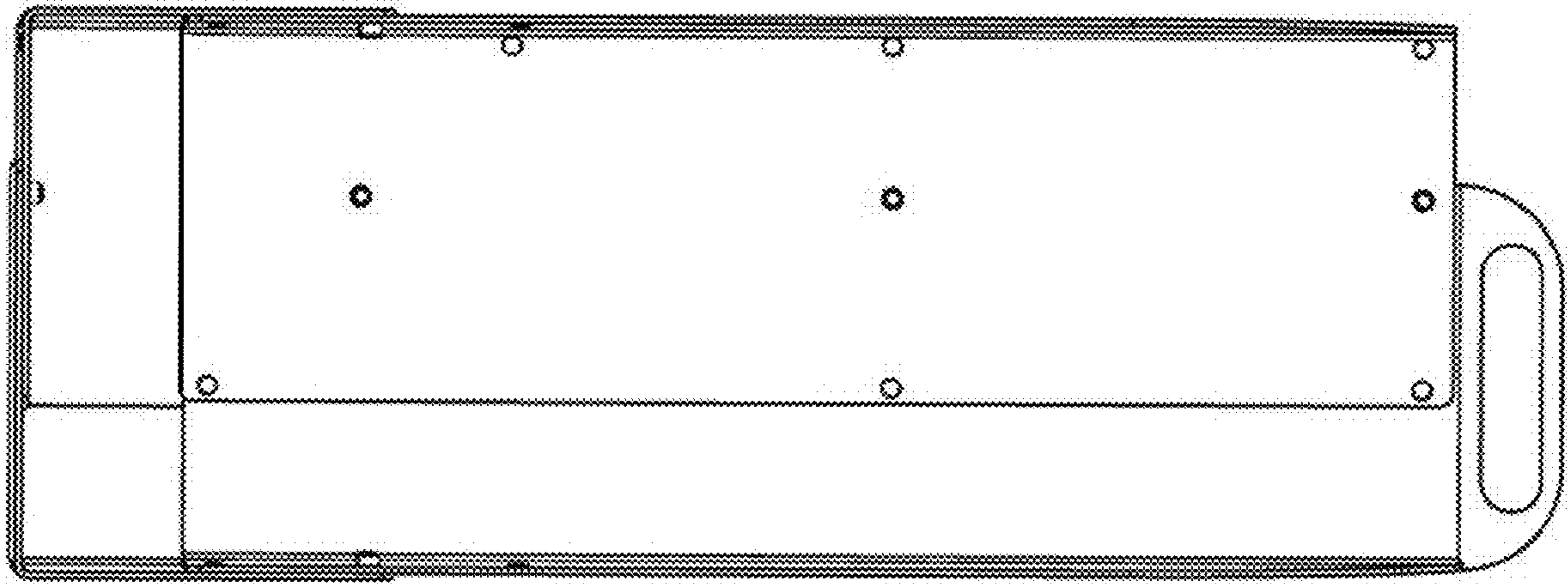


FIG. 7

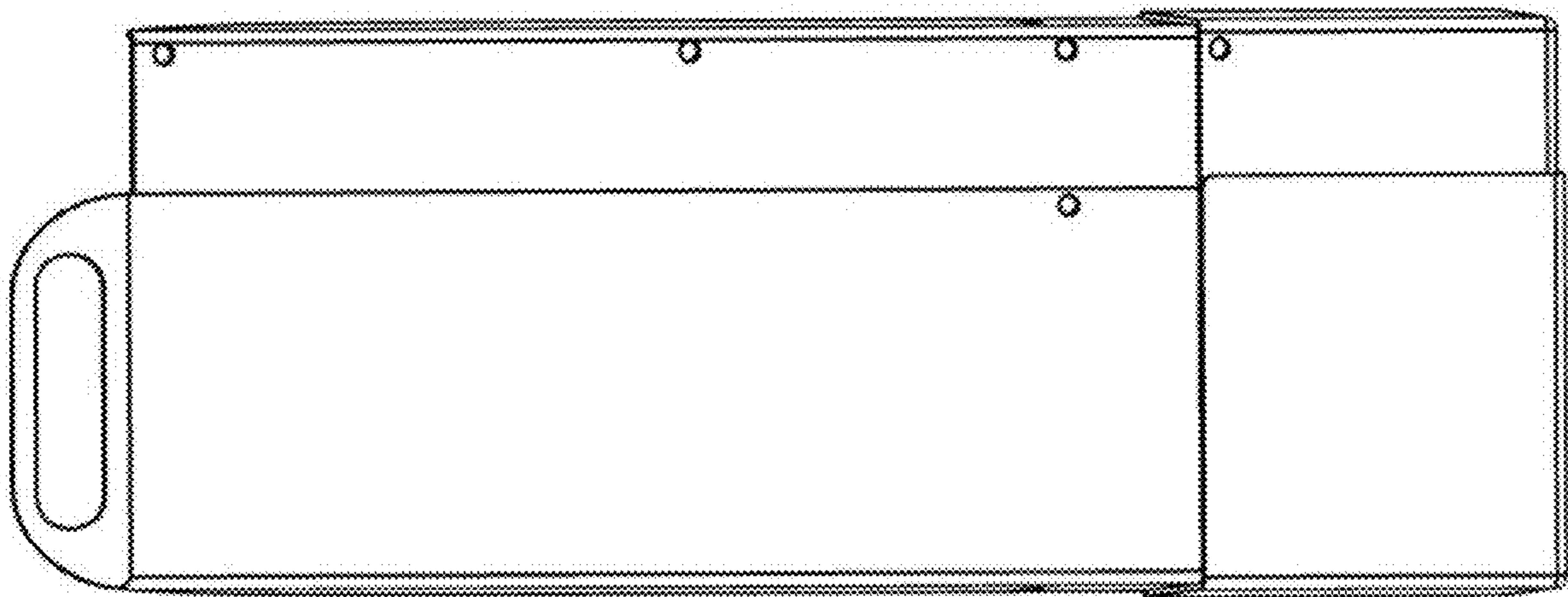


FIG. 8

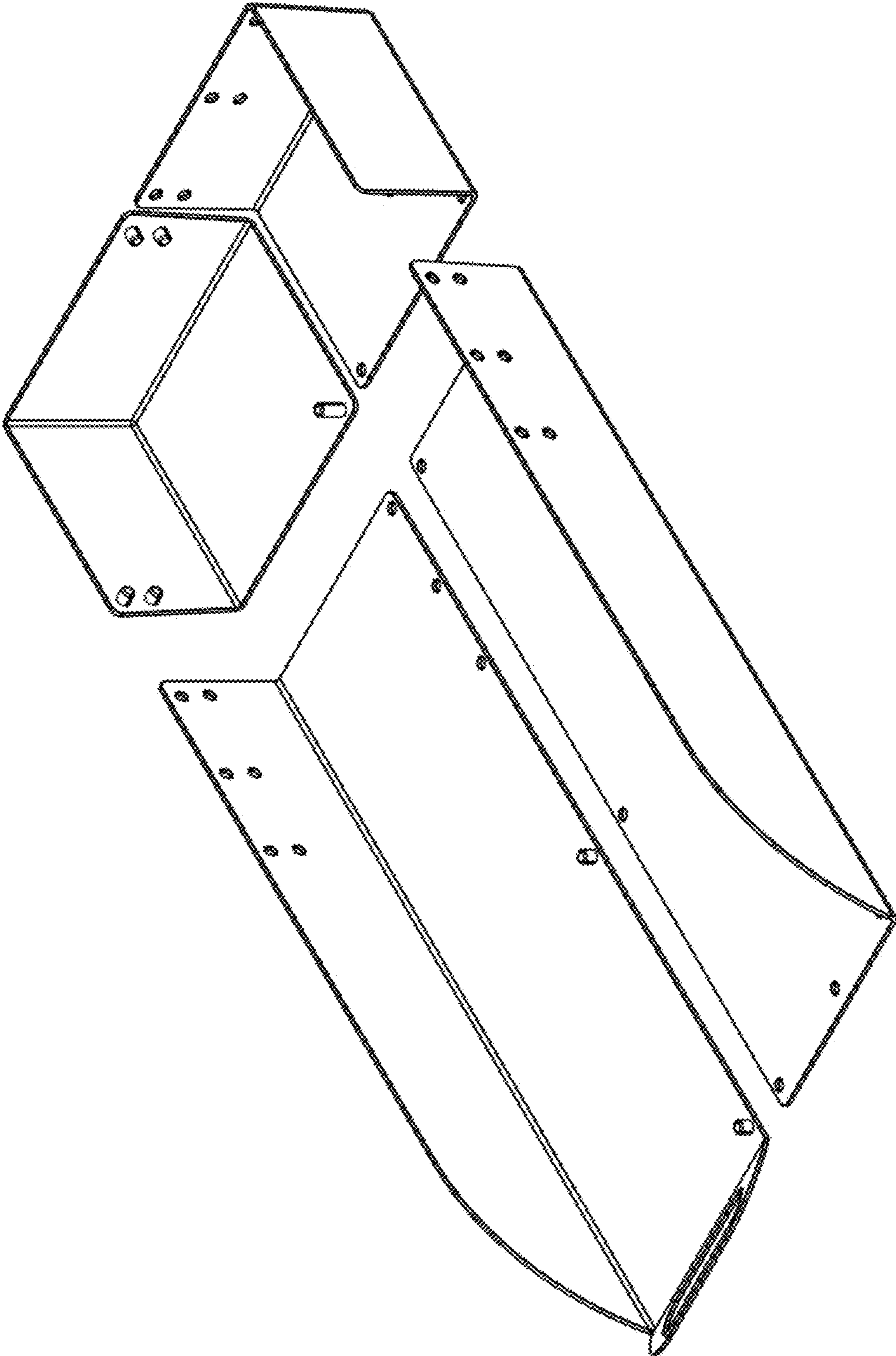


FIG. 9

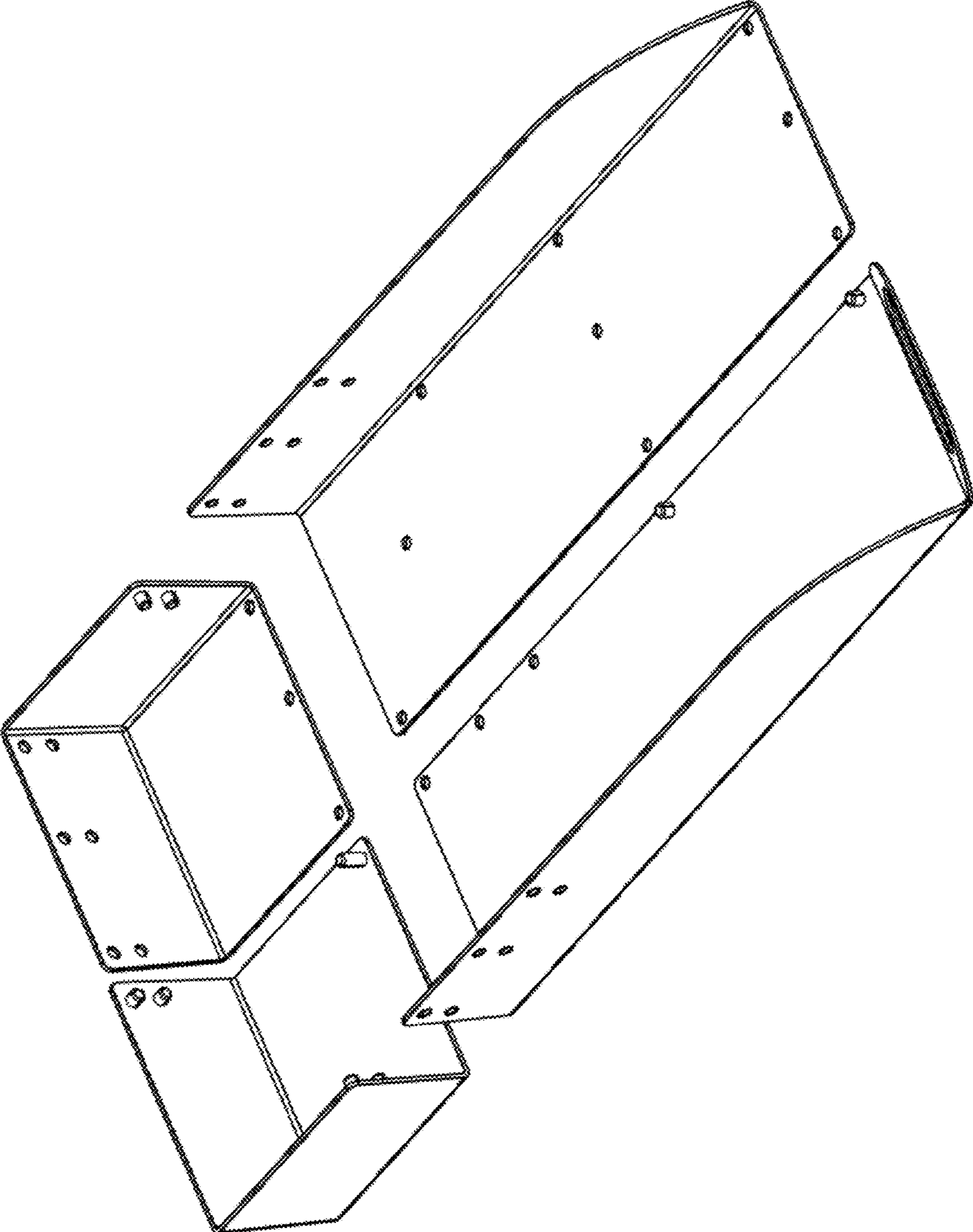


FIG. 10