



US0D1057319S

(12) **United States Design Patent** (10) **Patent No.:** **US D1,057,319 S**
Sanchies (45) **Date of Patent:** **** Jan. 7, 2025**

(54) **DOG LEASH**

FOREIGN PATENT DOCUMENTS

(71) Applicant: **Harold Sanchies**, Baltimore, MD (US)

CN 304439765 * 1/2018
CN 304597657 * 4/2018

(72) Inventor: **Harold Sanchies**, Baltimore, MD (US)

(Continued)

(**) Term: **15 Years**

OTHER PUBLICATIONS

(21) Appl. No.: **29/805,912**

Los Andes Heavy Duty Dog Leash, available in Amazon.com, date first available Mar. 1, 2021 [online], [site visited Apr. 2, 2024], Available from the internet URL: <https://www.amazon.com/LOS-ANDES-Heavy-Duty-Leash/dp/B08R2GWKN9?th=1> (Year: 2021).*

(22) Filed: **Aug. 31, 2021**

(Continued)

Related U.S. Application Data

(63) Continuation of application No. 16/823,598, filed on Mar. 19, 2020, now abandoned.

Primary Examiner — Vy N Koenig

Assistant Examiner — Elizabeth Anne Glassberg

(51) **LOC (15) Cl.** **30-04**

(57) **CLAIM**

The ornamental design for a dog leash, as shown and described.

(52) **U.S. Cl.**

USPC **D30/153**

DESCRIPTION

(58) **Field of Classification Search**

USPC D2/627; D10/72; D11/3; D29/101.1, D29/101.3, 101.4, 120.1; D30/144, 151, D30/152, 153, 199

CPC A01K 25/00; A01K 27/00; A01K 27/001; A01K 27/002; A01K 27/003; A01K 27/004; A01K 27/005

See application file for complete search history.

FIG. 1 is a top front perspective view of a dog leash, showing my new design.

FIG. 2 is a bottom front perspective view of the dog leash.

FIG. 3 is an enlarged view of the portion labeled “3” in FIG. 1.

FIG. 4 is an enlarged view of the portion labeled “4” in FIG. 2.

FIG. 5 is an enlarged view of the portion labeled “5” in FIG. 1.

FIG. 6 is an enlarged view of the portion labeled “6” in FIG. 2.

FIG. 7 is an enlarged view of the portion labeled “7” in FIG. 1; and,

FIG. 8 is an enlarged view of the portion labeled “8” in FIG. 2.

The broken lines in FIGS. 1-8 show the boundaries of the enlargements shown in FIGS. 3-8 and form no part of the claimed design.

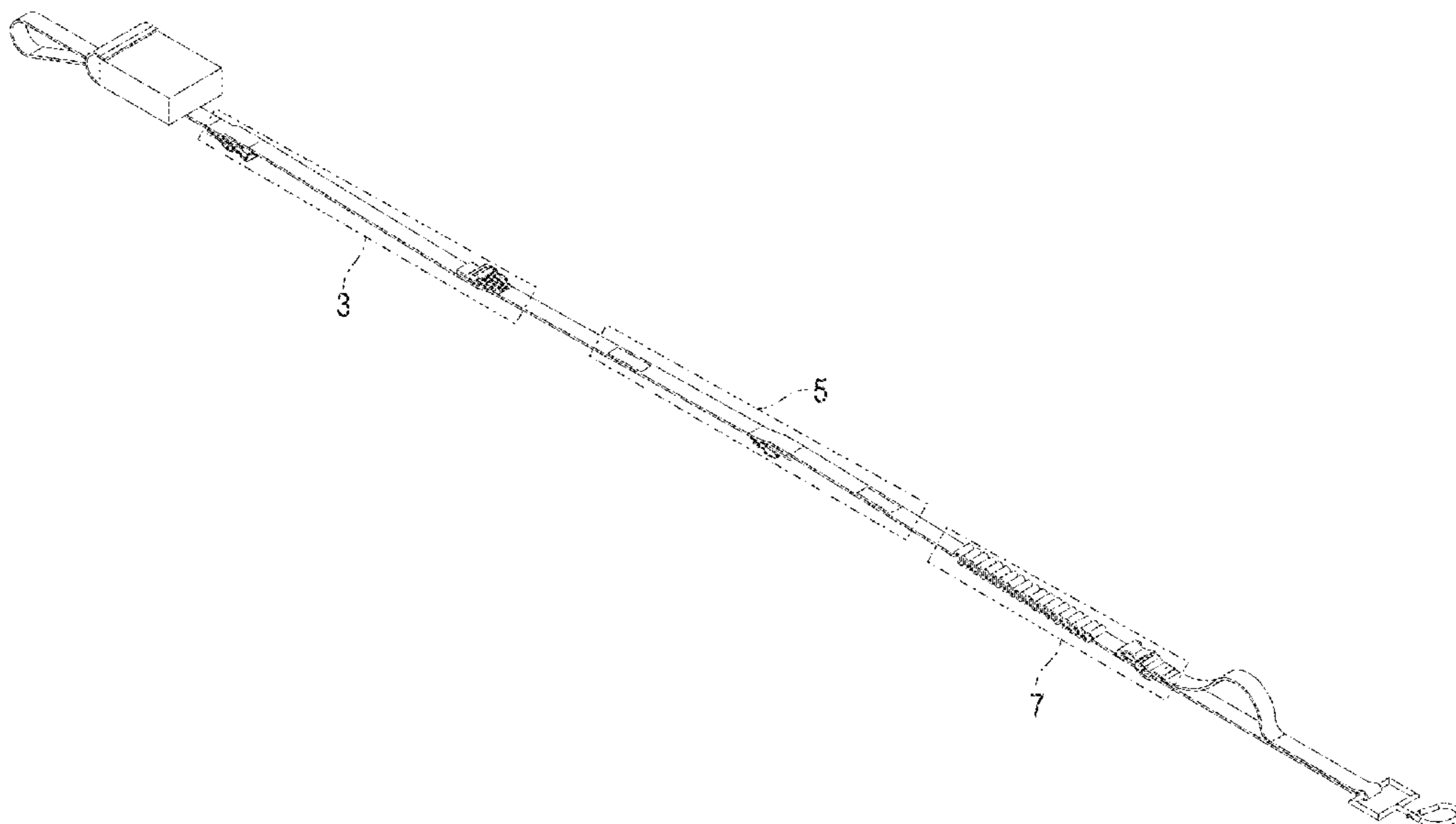
(56) **References Cited**

U.S. PATENT DOCUMENTS

770,070 A	9/1904	Johnson	
4,528,944 A	7/1985	Reed et al.	
5,947,062 A	9/1999	Hoffman et al.	
D454,235 S	3/2002	Kaplan	
7,891,322 B2	2/2011	Bennett et al.	
D666,896 S *	9/2012	Pinholster, Jr.	D8/356
D699,406 S *	2/2014	Stolte	D30/153
D717,007 S *	11/2014	Miksovsky	D30/153

(Continued)

1 Claim, 8 Drawing Sheets



(56)

References Cited

U.S. PATENT DOCUMENTS

D733,978 S * 7/2015 Bayless D30/153
 D790,780 S * 6/2017 Strengell D30/153
 10,123,514 B1 * 11/2018 Rice A01K 27/003
 D882,883 S * 4/2020 Moore D30/153
 D948,138 S * 4/2022 Pan D30/153
 11,369,086 B1 * 6/2022 Riffeser A01K 27/003
 D969,421 S * 11/2022 Zhang D30/153
 D989,416 S * 6/2023 Bradford D30/153
 D1,039,223 S * 8/2024 Myers D30/153
 D1,040,444 S * 8/2024 Yang D30/152
 D1,045,251 S * 10/2024 Chapman D30/153
 2007/0006821 A1 1/2007 Mitnick
 2013/0074783 A1 3/2013 Chapin
 2014/0096721 A1 * 4/2014 Millard A01K 27/001
 119/792
 2019/0059333 A1 2/2019 Lagarde
 2020/0329676 A1 * 10/2020 Sanchies A01K 27/002

FOREIGN PATENT DOCUMENTS

CN 305647428 * 3/2020
 CN 305762345 * 5/2020
 WO 2006026640 A2 3/2006

OTHER PUBLICATIONS

Blackdog Wear Smart Leads 2, announced in YouTube on Aug. 3, 2013 [online], [site visited Apr. 3, 2024], Available from the internet
 URL: <https://www.youtube.com/watch?v=RSGTaRFIrvE&t=1s&themeRefresh=1> (Year: 2013).*

Easy Walk® Harness, No Pull Dog Harness, retrieved from the internet, retrieved on Apr. 19, 2024; <URL: <https://www.petsafe.com/product/easy-walk-harness/?sku=EWH-HC-P-BLK>>.

Equi-Essentials Leg Straps with Bolt Snap at Both Ends, retrieved from the internet, retrieved on Jan. 20, 2020; <URL: https://www.doversaddlery.com/adj-leg-strap-wsnap-ends/p/X1-240552/?msclkid=23a8c847cd2e10b48ed1ae6545ce45b0&utm_source=bing&utm_medium=cpc&utm_campaign=NX_NTM_Shopping_Smart_Catch_All&utm_term=4584963492817720&utm_content=Catch%20All>.

* cited by examiner

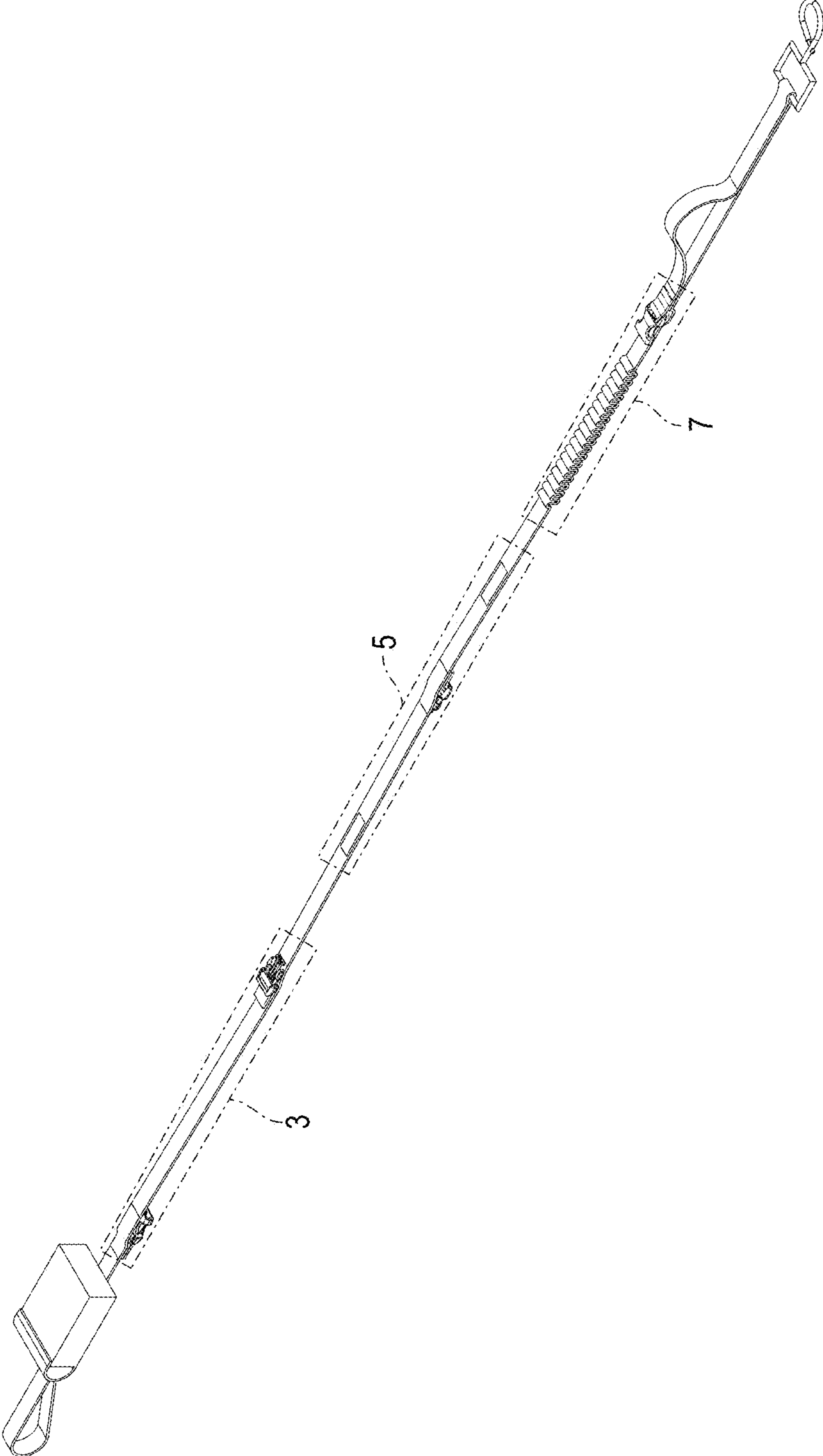


FIG.1

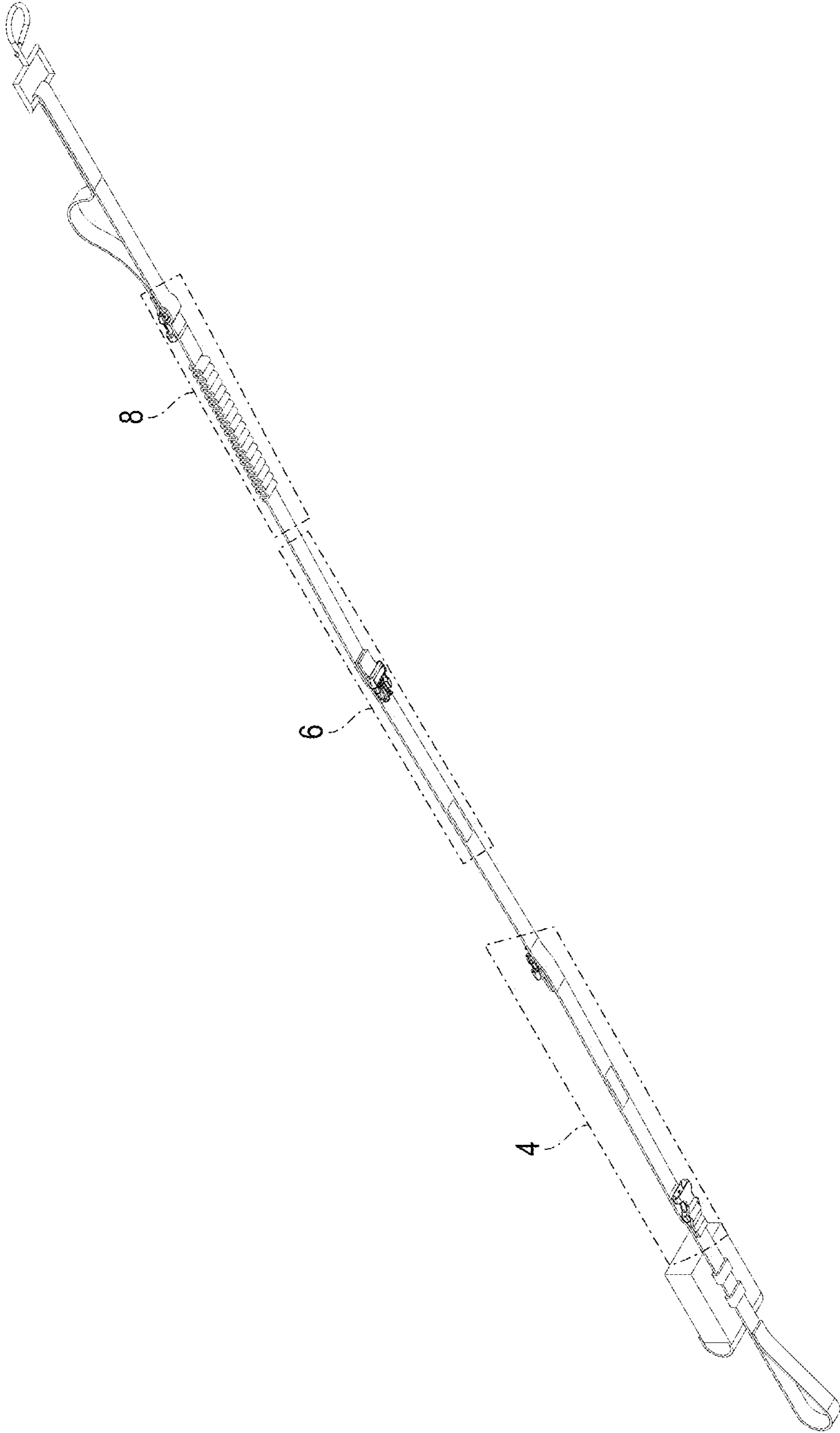


FIG.2

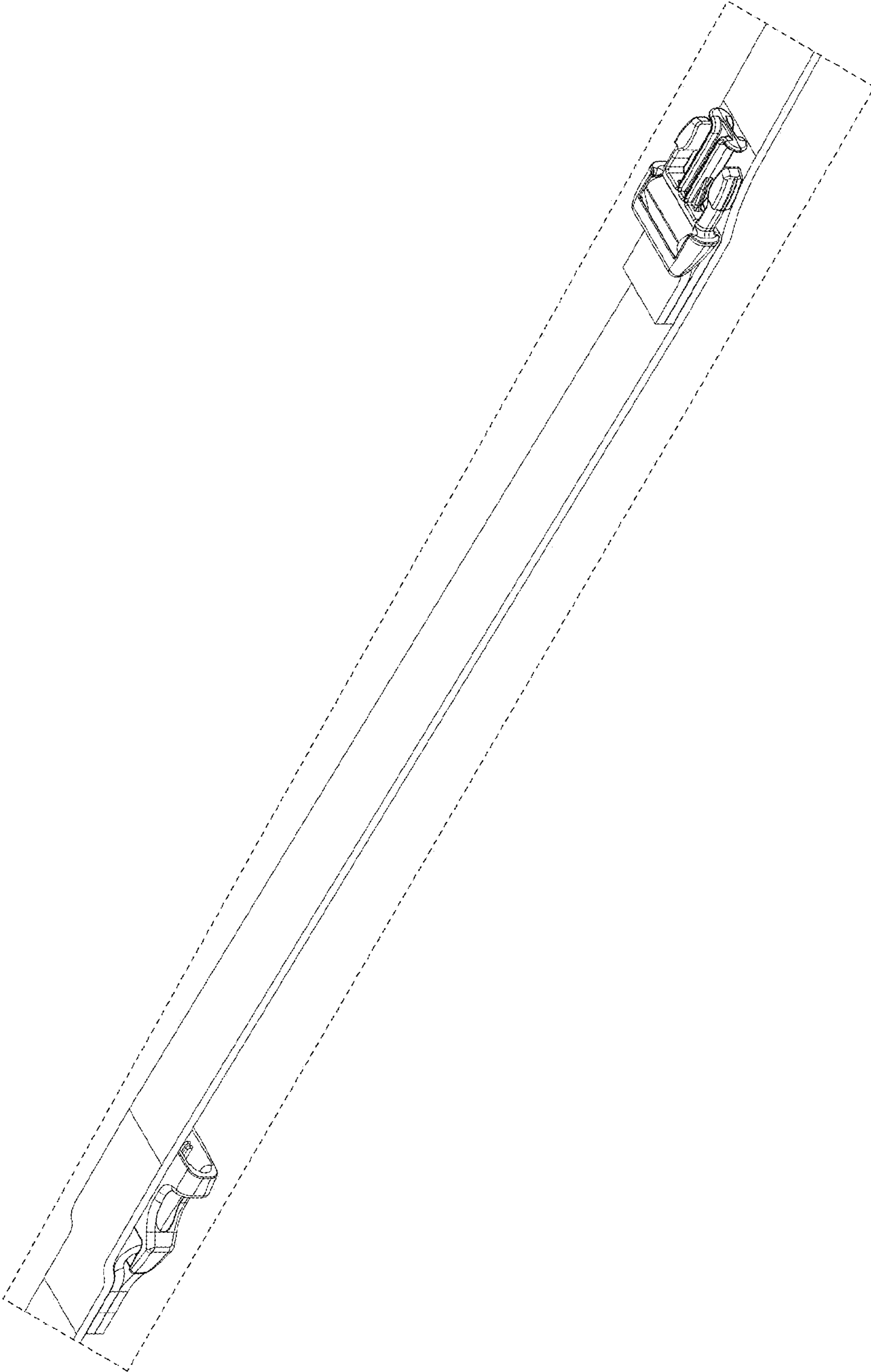


FIG.3

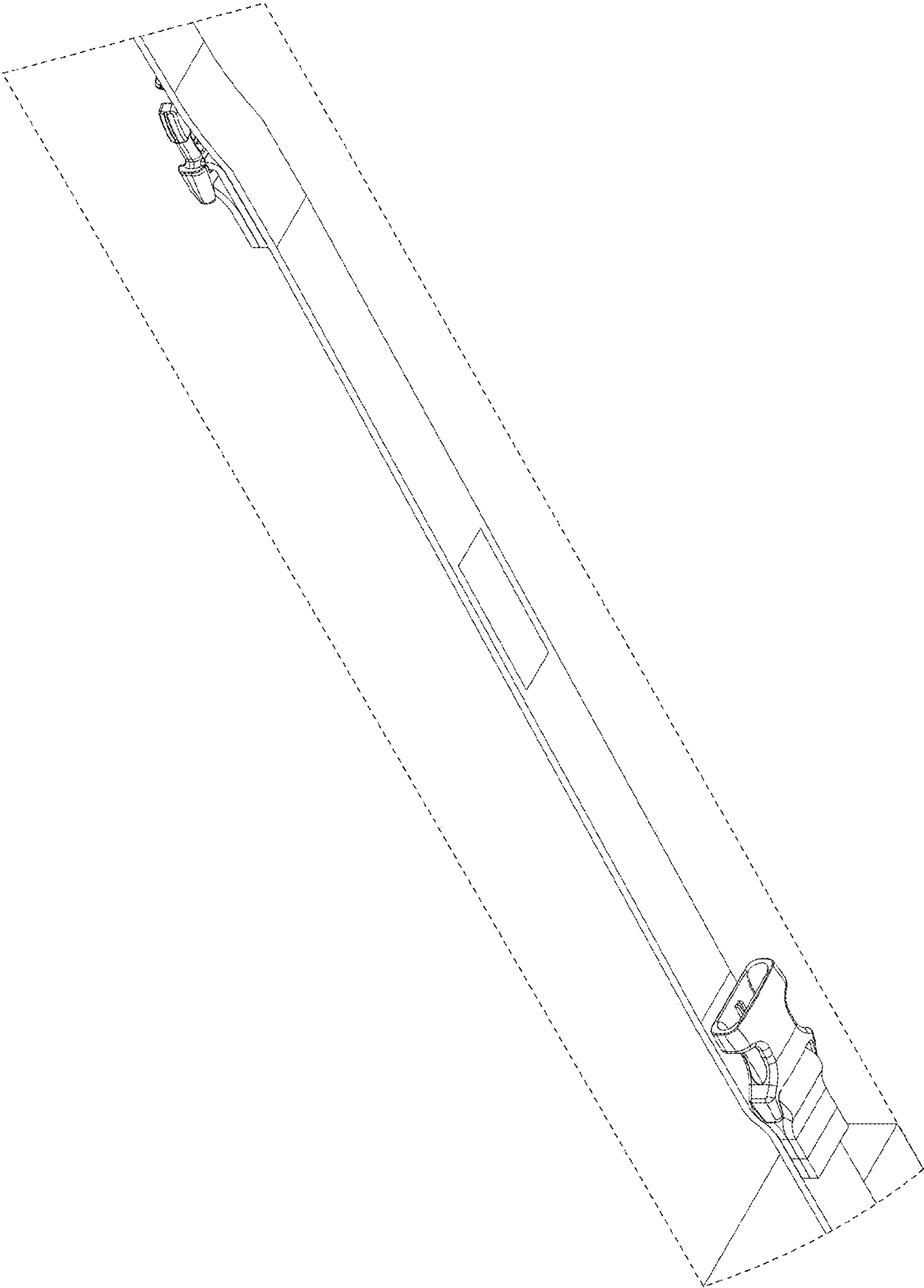


FIG.4

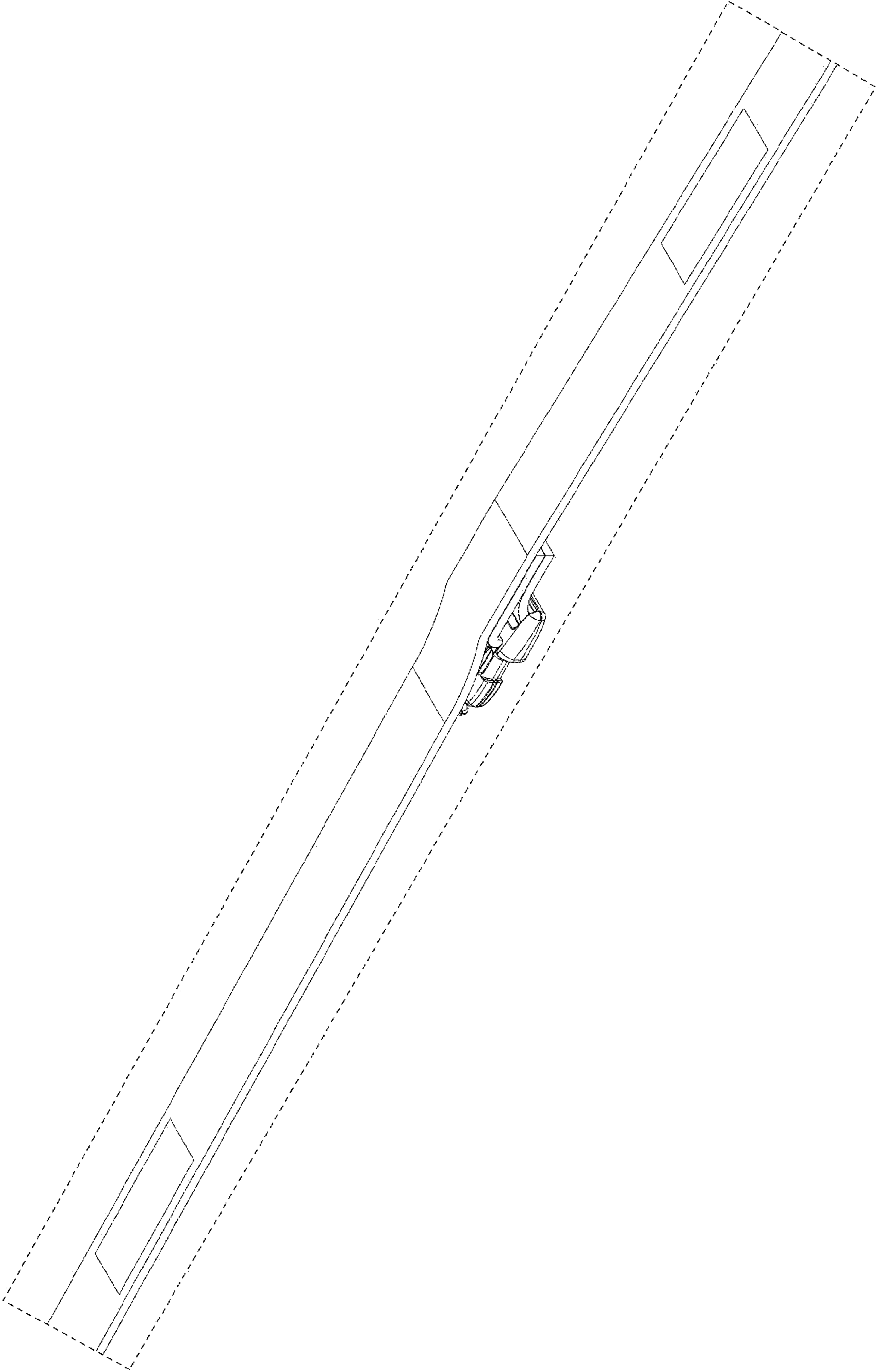


FIG.5

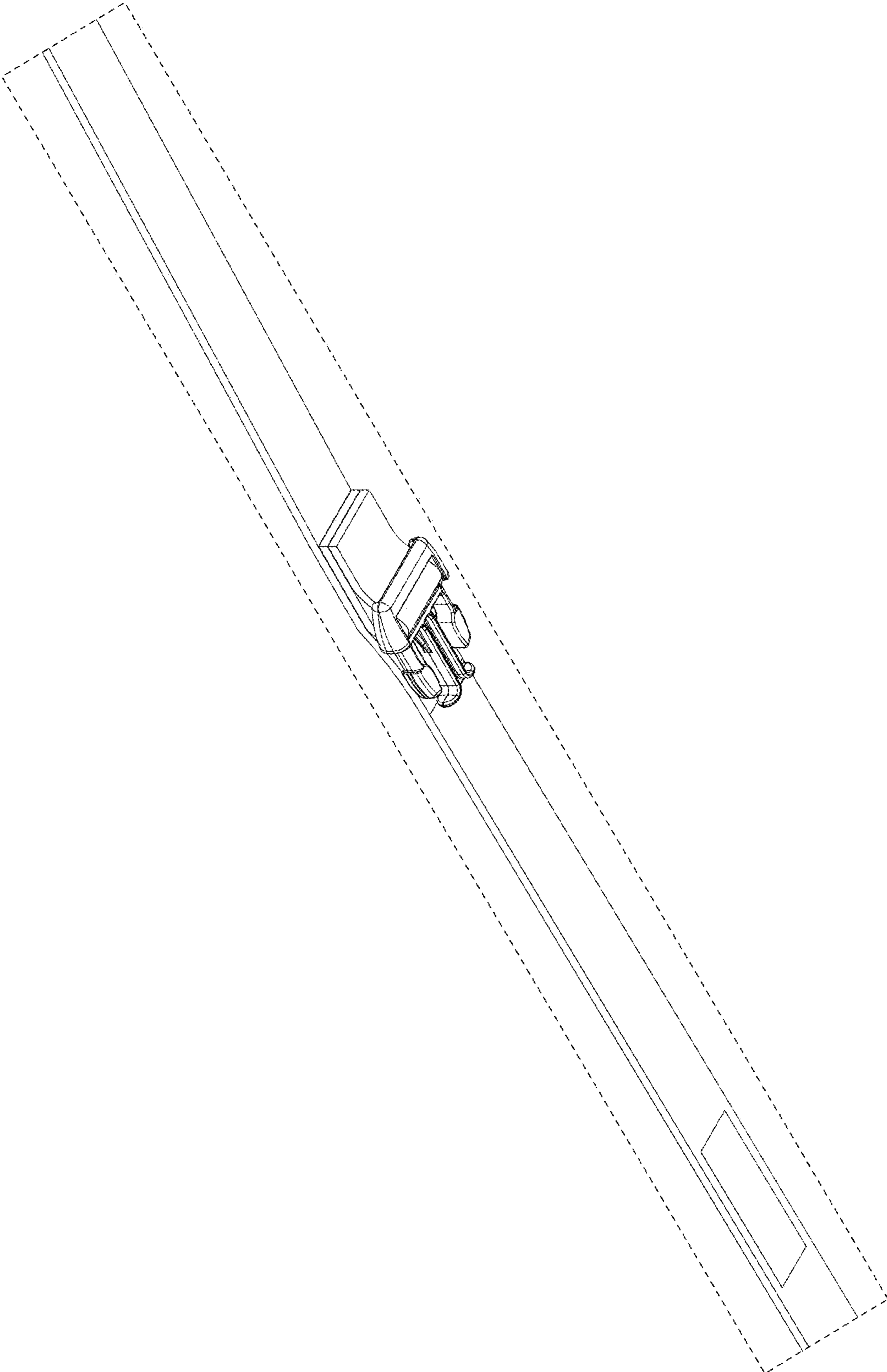


FIG.6

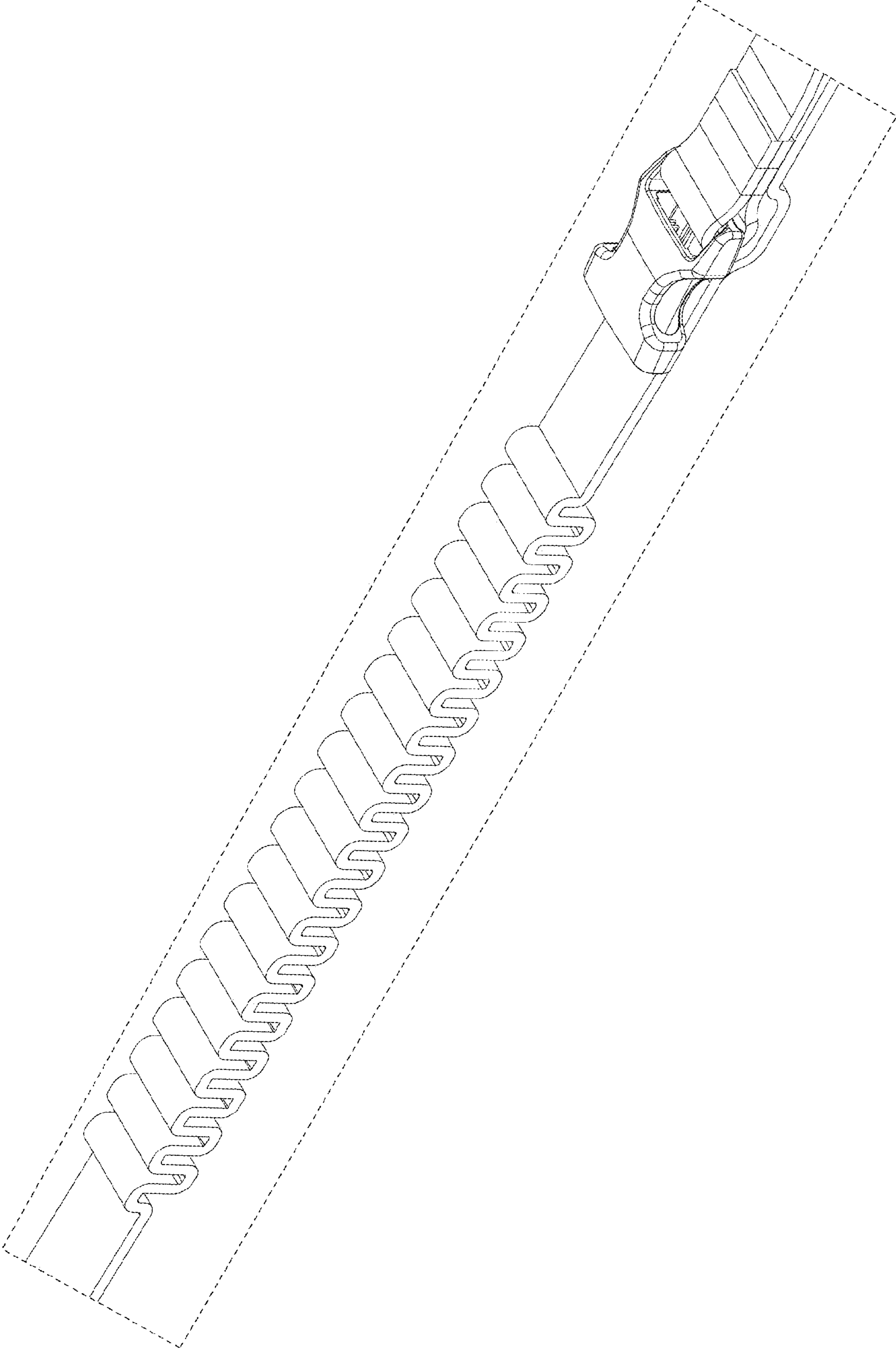


FIG.7

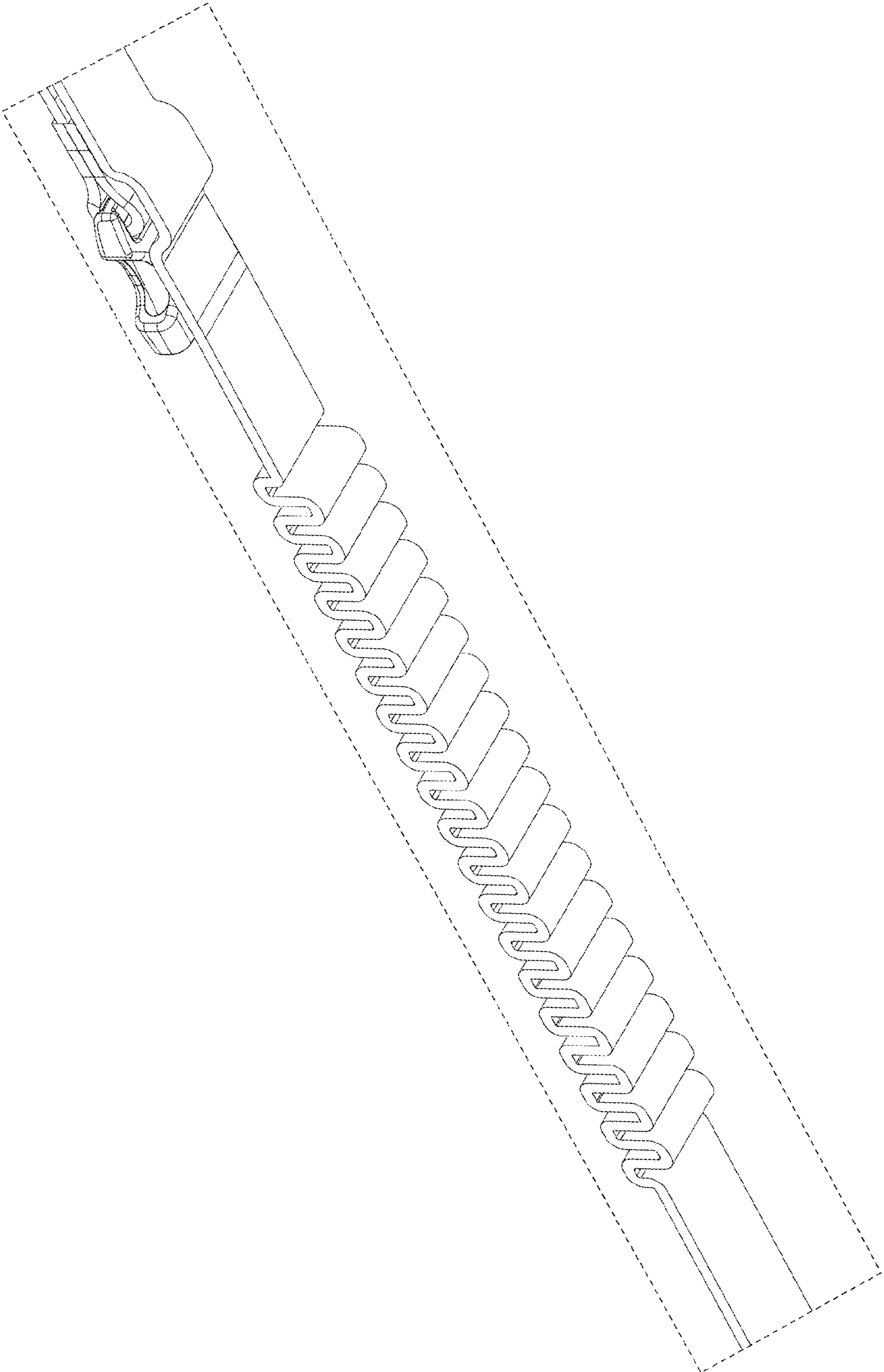


FIG. 8