



US0D1057234S

(12) **United States Design Patent**
Collins et al.

(10) **Patent No.:** **US D1,057,234 S**

(45) **Date of Patent:** **** Jan. 7, 2025**

(54) **MODEL VEHICLE LIGHT BAR**
(71) Applicant: **TRAXXAS, L.P.**, McKinney, TX (US)
(72) Inventors: **Trent Collins**, McKinney, TX (US);
Otto Karl Allmendinger, Rowlett, TX (US); **Kent Poteet**, Lucas, TX (US);
Adam Cole Ewing, McKinney, TX (US)

(73) Assignee: **TRAXXAS, L.P.**, McKinney, TX (US)

(**) Term: **15 Years**

(21) Appl. No.: **29/892,598**

(22) Filed: **May 19, 2023**

(51) **LOC (15) Cl.** **26-06**

(52) **U.S. Cl.**
USPC **D26/28**

(58) **Field of Classification Search**
USPC D26/28, 29, 30, 31, 32, 33, 34, 35, 36,
D26/139; D21/549, 561; D10/114.3,
D10/114.4
CPC F21S 41/00; F21S 41/141; F21S 41/162;
F21S 41/18; F21S 41/20; F21S 41/33;
F21S 41/36; F21S 41/60; F21S 43/00;
F21W 2103/35; F21W 2103/40; F21W
2102/17; F21W 2102/30; F21W 2103/00;
F21W 2103/55; F21W 2104/00; F21W
2107/17; F21W 2107/13
See application file for complete search history.

(56) **References Cited**

U.S. PATENT DOCUMENTS

D772,454 S * 11/2016 Ma D26/31
D775,751 S * 1/2017 Jones, Jr. D26/28

D809,168 S * 1/2018 Kennemer D26/28
D858,816 S * 9/2019 Ko D26/28
D989,997 S * 6/2023 Ko D26/28
D1,009,322 S * 12/2023 Yang D26/28
D1,009,323 S * 12/2023 Finocchiaro D26/35
D1,013,914 S * 2/2024 Ko D26/28
D1,017,086 S * 3/2024 Finocchiaro D26/35
D1,017,857 S * 3/2024 Anderson D26/28
D1,020,014 S * 3/2024 Zhou D26/63
D1,032,899 S * 6/2024 Xu D26/28
D1,038,463 S * 8/2024 Xu D26/28

* cited by examiner

Primary Examiner — Angela J Lee

(74) *Attorney, Agent, or Firm* — Daryl R. Wright; Greg Carr

(57) **CLAIM**

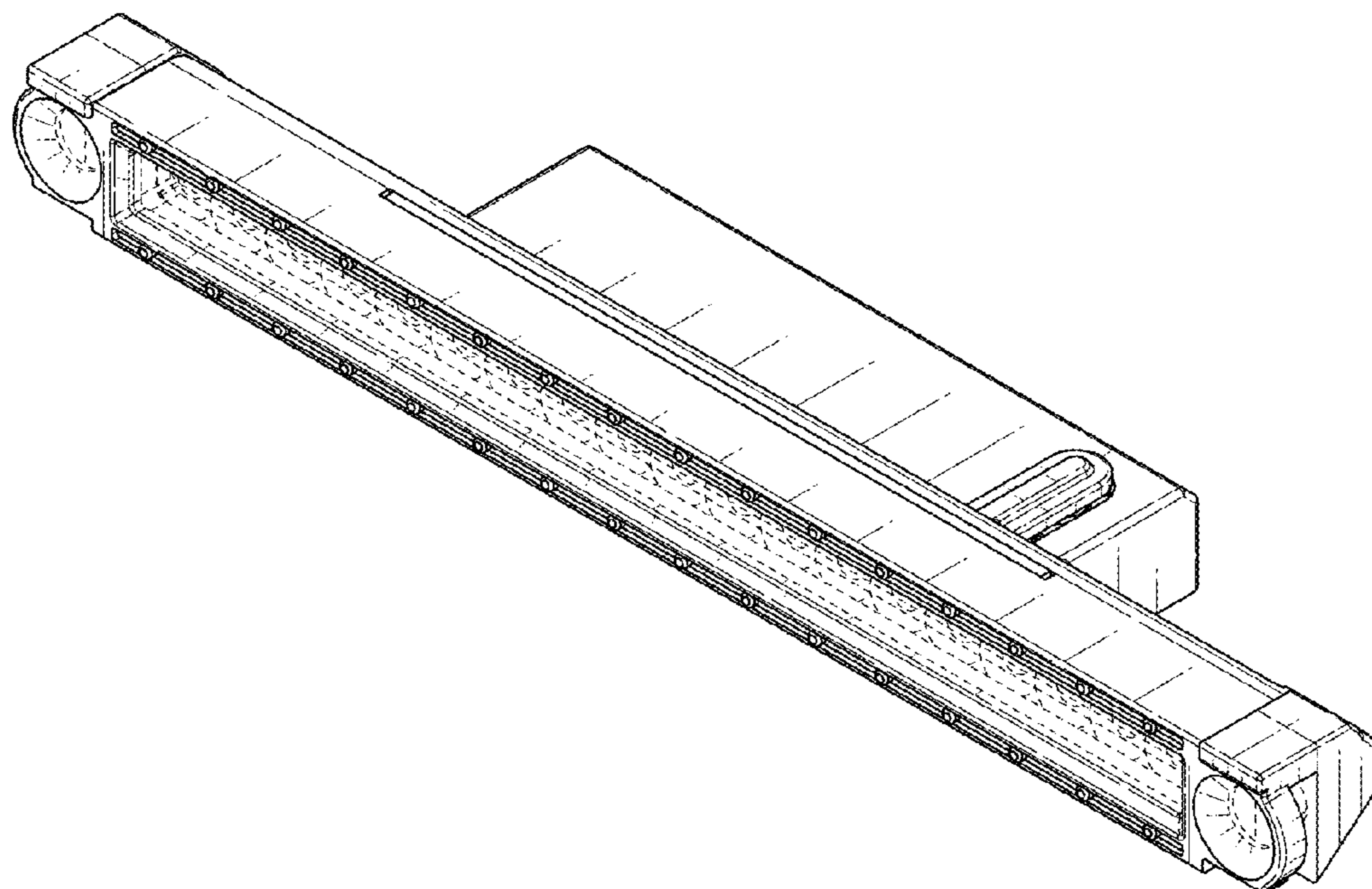
The ornamental design for a model vehicle light bar as shown and described.

DESCRIPTION

FIG. 1 is an upper, left, front perspective view of a model vehicle light bar showing our new design; FIG. 2 is an upper, right, rear perspective view thereof; FIG. 3 is a front elevation view thereof; FIG. 4 is a rear elevation view thereof; FIG. 5 is a right side elevation view thereof; FIG. 6 is a left side elevation view thereof; FIG. 7 is an upper plan view thereof; FIG. 8 is a lower plan view thereof; FIG. 9 is a lower, right, front perspective view thereof; and, FIG. 10 is a lower, left, rear perspective view of the model vehicle light bar.

In the drawings, the broken lines illustrate portions of the model vehicle light bar that form no part of the claimed design.

1 Claim, 5 Drawing Sheets



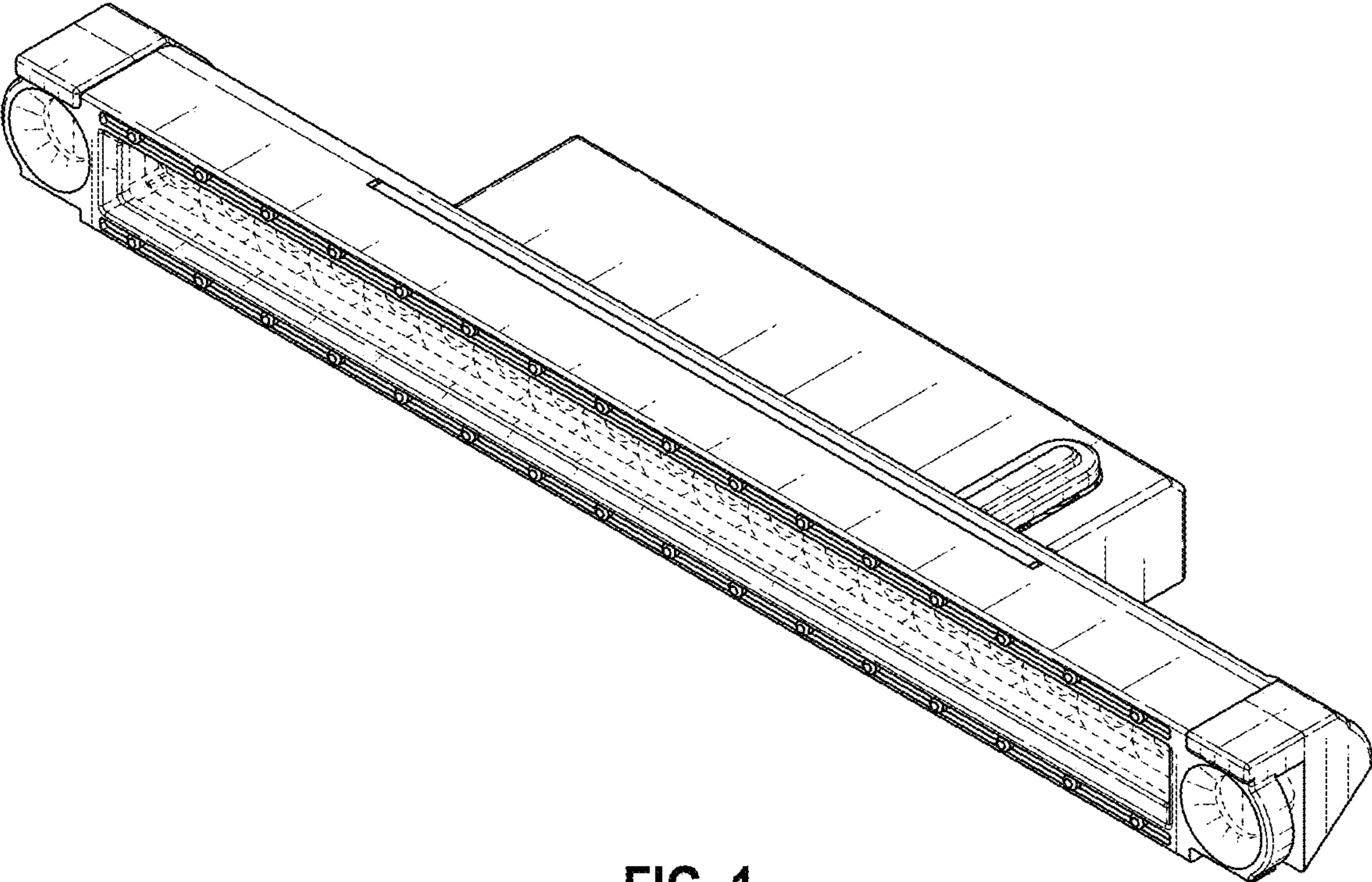


FIG. 1

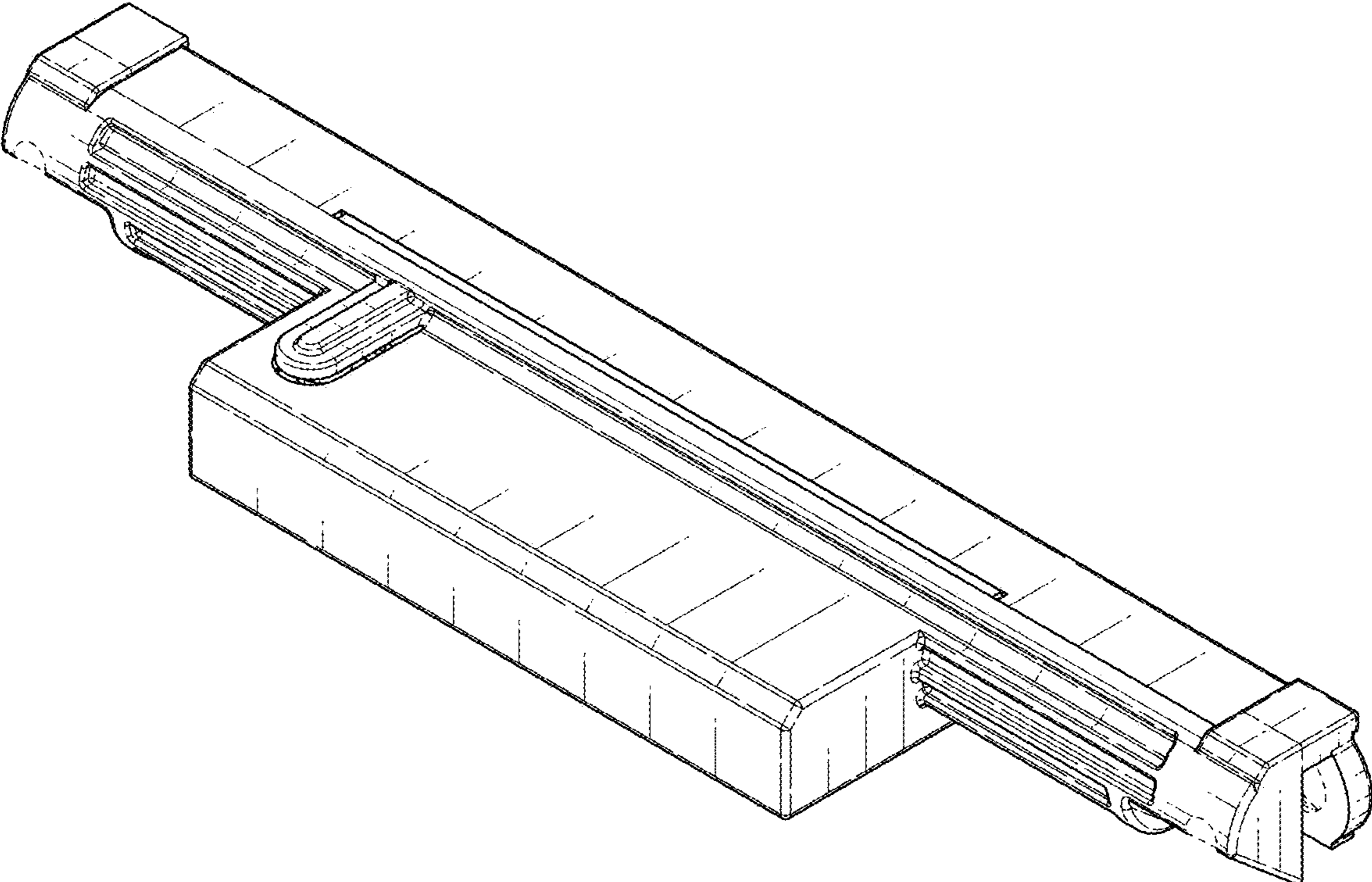


FIG. 2

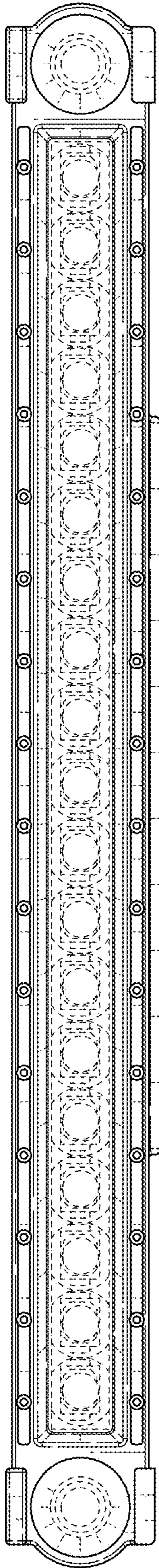


FIG. 3

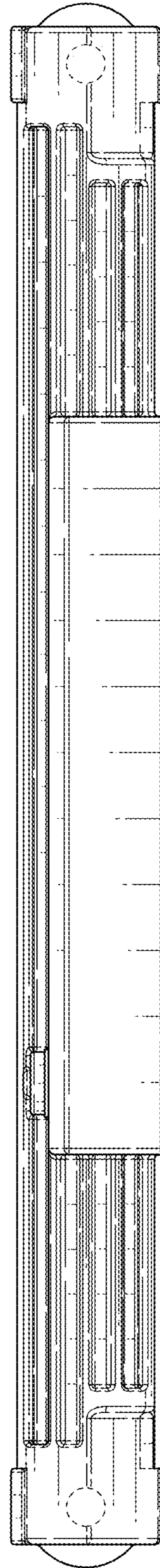


FIG. 4

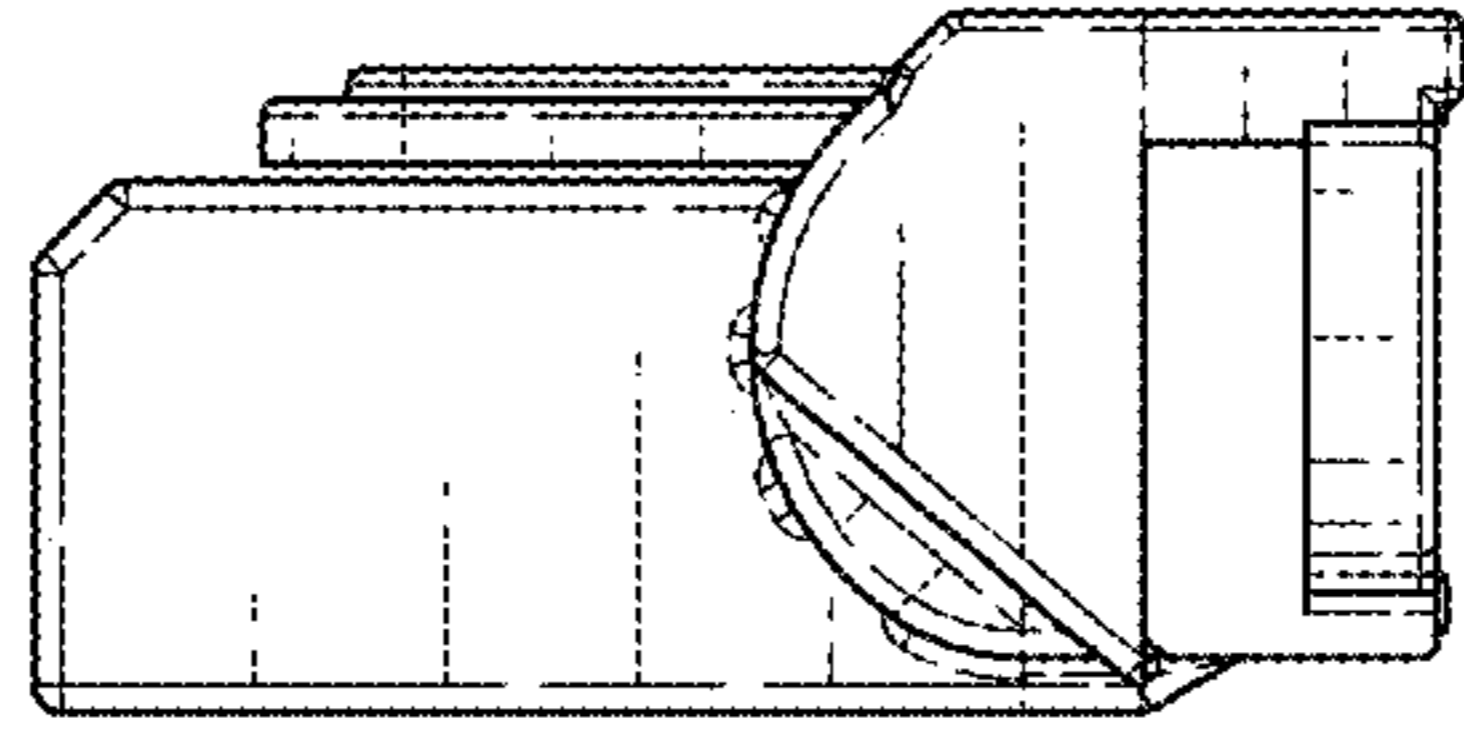


FIG. 5

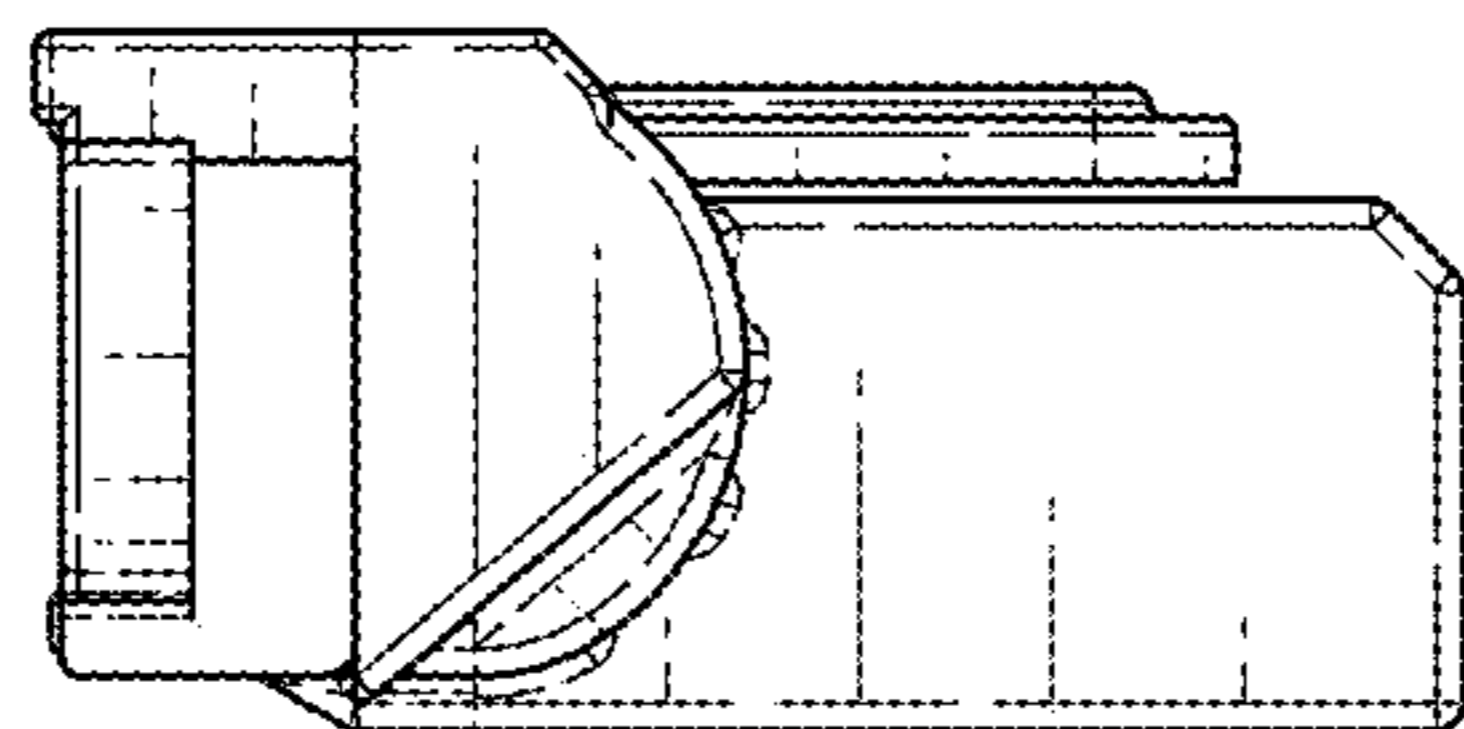


FIG. 6

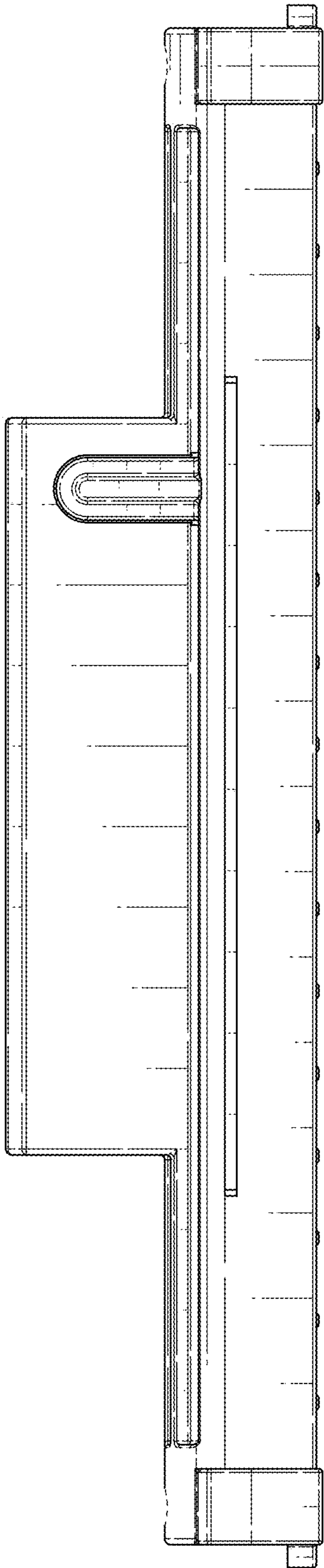


FIG. 7

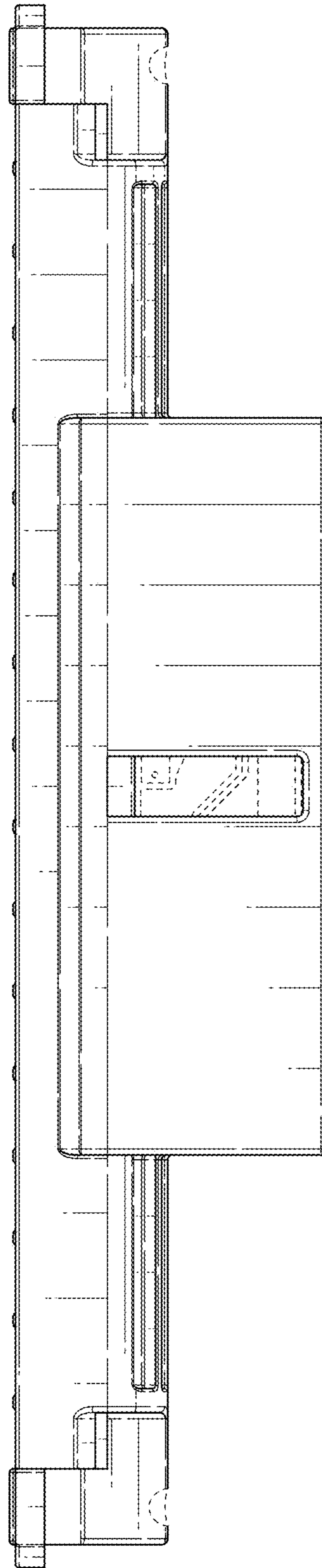


FIG. 8

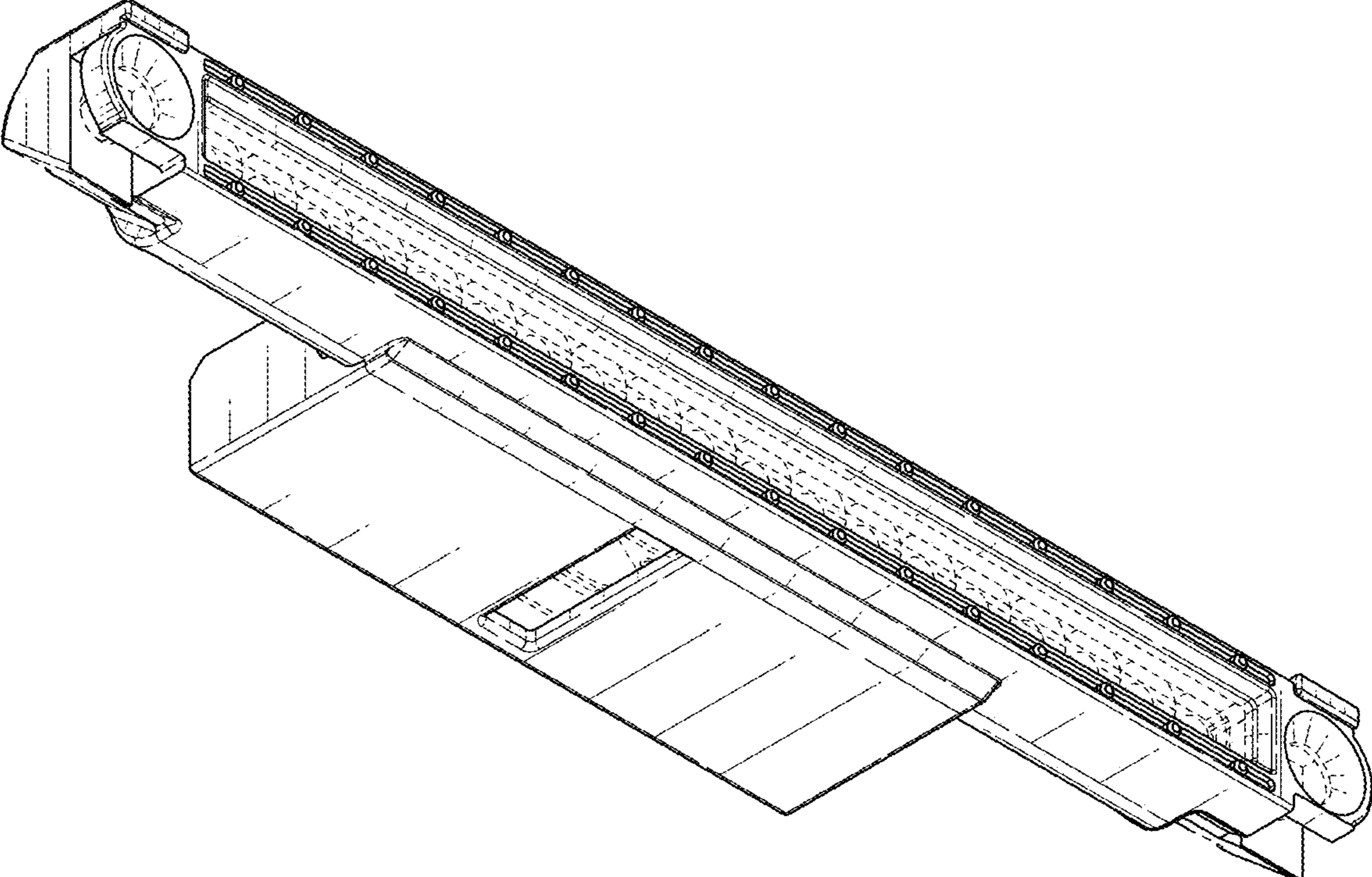


FIG. 9

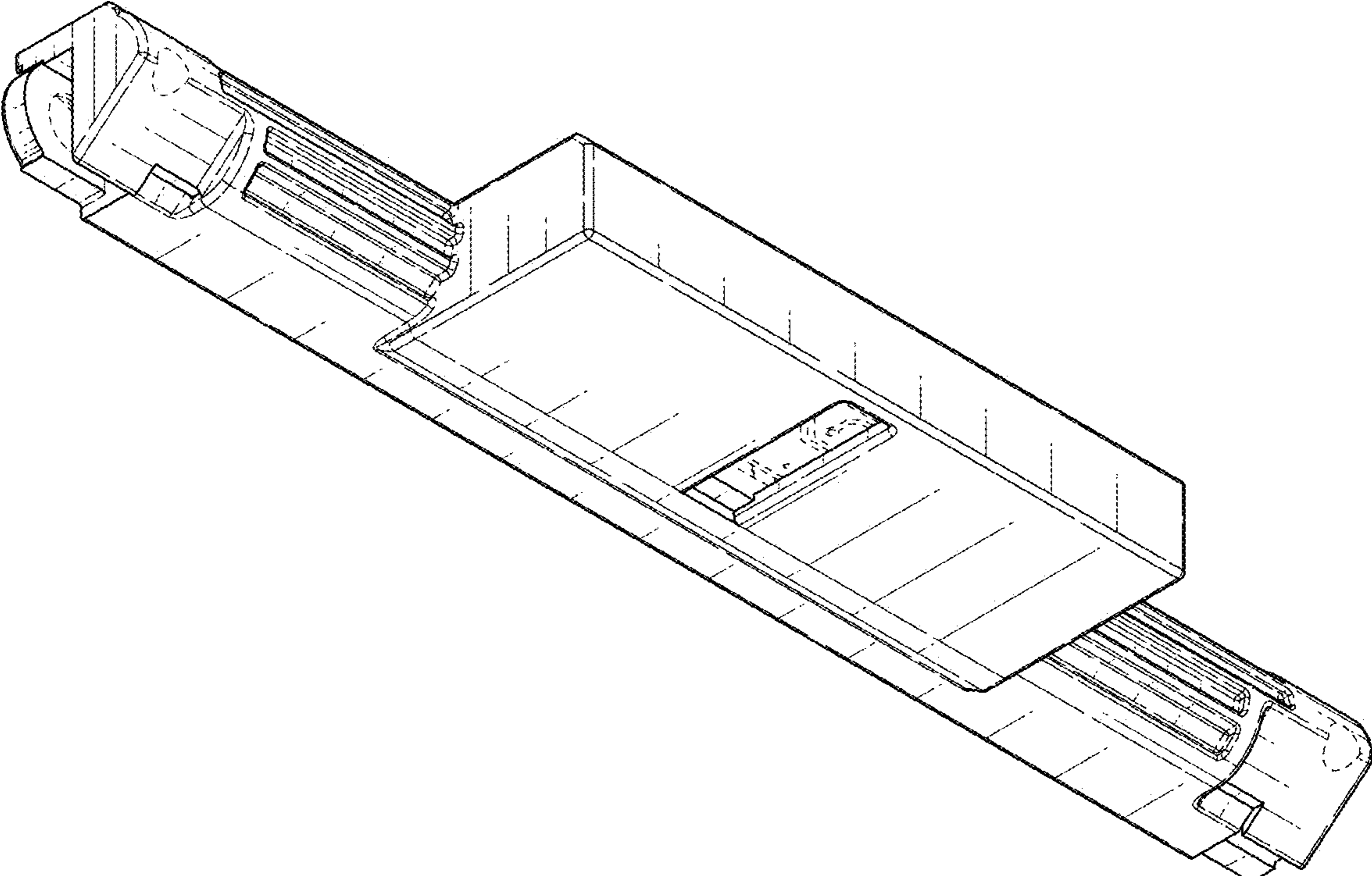


FIG. 10