



US0D1057042S

(12) **United States Design Patent** (10) **Patent No.:** **US D1,057,042 S**
Hix et al. (45) **Date of Patent:** **** Jan. 7, 2025**

(54) **MODEL VEHICLE BODY**

FOREIGN PATENT DOCUMENTS

(71) Applicant: **TRAXXAS, L.P.**, McKinney, TX (US)

CN 305114518 * 4/2019

(72) Inventors: **Caleb Hix**, McKinney, TX (US); **Trent Collins**, McKinney, TX (US); **Otto Karl Allmendinger**, Rowlett, TX (US); **Adam Cole Ewing**, McKinney, TX (US); **Ross Martin**, Roanoke, TX (US)

OTHER PUBLICATIONS

(73) Assignee: **TRAXXAS, L.P.**, McKinney, TX (US)

Traxxas Bigfoot Classic 1_10 _ Amazon.co (online) 1st available Dec. 4, 2023. Retrieved from internet Oct. 8, 2024; URL: <https://www.amazon.co.uk/Traxxas-Bigfoot-Classic-1-10/dp/B0CLV79NTH/ref> (6 pages) (Year: 2023).*

(**) Term: **15 Years**

Traxxas TRX-4 Chevy K10 High-Trail Red . . . 4WD 92056 _ Amazon.co (online) 1st available Dec. 8, 2022. Retrieved from internet Oct. 8, 2024; URL: <https://www.amazon.co.uk/Traxxas-High-Trail-without-Battery-Charger/dp/B0BPHXGBTQ/ref> (6 pages) (Year: 2022).*

(21) Appl. No.: **29/898,037**

* cited by examiner

(22) Filed: **Jul. 21, 2023**

(51) **LOC (15) Cl.** **21-01**

Primary Examiner — Susan E Krakower

(52) **U.S. Cl.**

Assistant Examiner — Beena Patel

USPC **D21/562**; D12/98

(74) *Attorney, Agent, or Firm* — Daryl R. Wright; Greg Carr

(58) **Field of Classification Search**

USPC D12/86, 87, 88, 93, 98; D21/433, 533,

D21/548, 549, 550, 559, 562, 552

CPC A63H 17/262; A63H 17/26; A63H 17/002;

A63H 17/02; A63H 17/004

See application file for complete search history.

(57) **CLAIM**

The ornamental design for a model vehicle body as shown and described.

DESCRIPTION

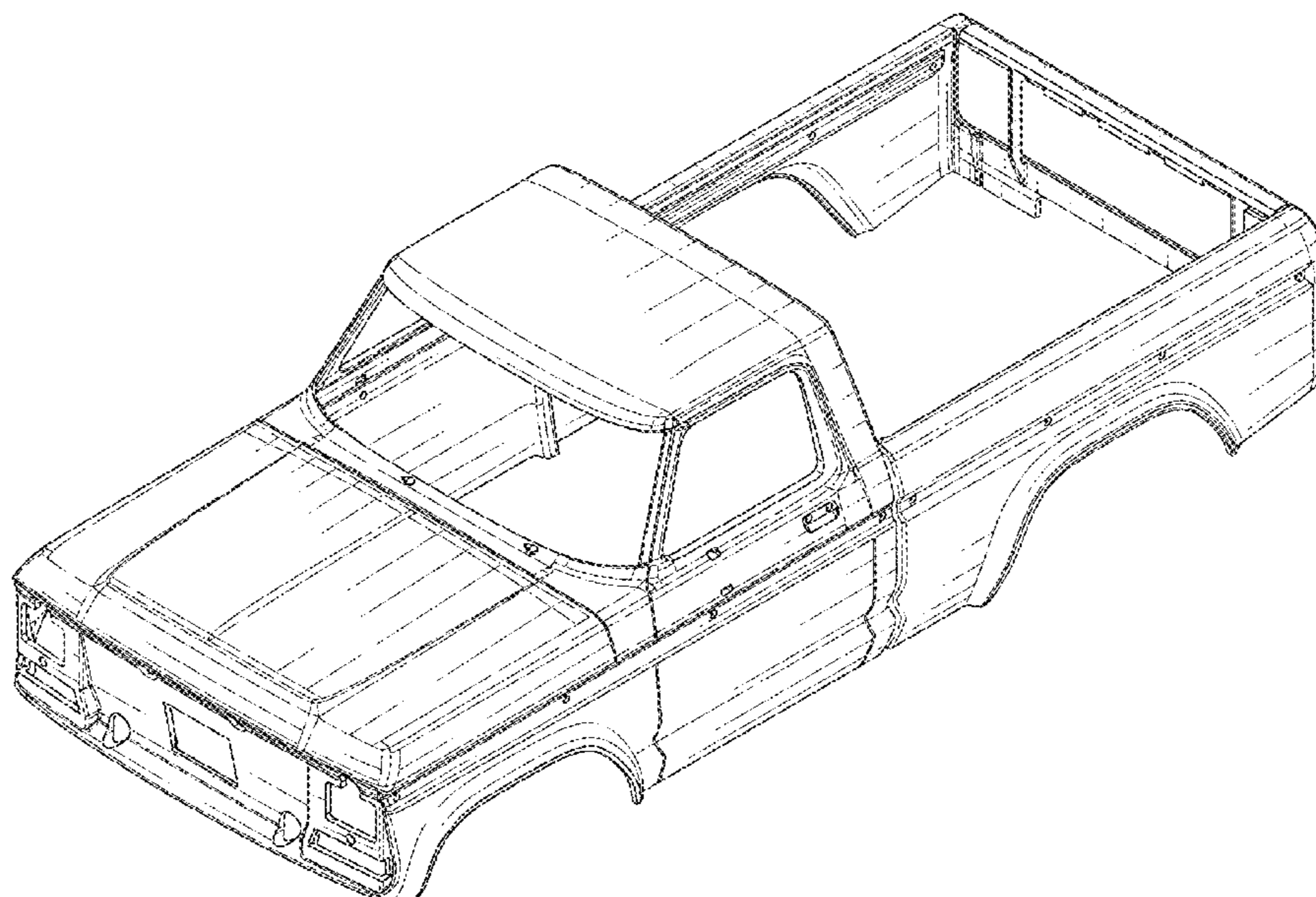
(56) **References Cited**

U.S. PATENT DOCUMENTS

D466,451 S	12/2002	Trostle et al.	
D565,467 S *	4/2008	Aneiros	D12/91
D740,180 S	10/2015	Agnew et al.	
D740,181 S	10/2015	Agnew et al.	
D862,610 S	10/2019	Barajas et al.	
D862,611 S	10/2019	Barajas et al.	
D865,569 S	11/2019	Jeung et al.	
D904,531 S *	12/2020	Barajas	D21/562
D935,531 S *	11/2021	Barajas	D21/548
D947,955 S *	4/2022	Barajas	D21/562
2024/0075395 A1 *	3/2024	Cai	A63H 17/002

FIG. 1 is an upper, left, front perspective view of a model vehicle body showing our new design; FIG. 2 is a front elevation view thereof; FIG. 3 is a rear elevation view thereof; FIG. 4 is a right-side elevation view thereof; FIG. 5 is a left-side elevation view thereof; FIG. 6 is a top plan view thereof; FIG. 7 is a bottom plan view thereof; FIG. 8 is a top, right, rear perspective view thereof; FIG. 9 is a bottom, right, front perspective view thereof; and, FIG. 10 is a bottom, left, rear perspective view thereof.

1 Claim, 9 Drawing Sheets



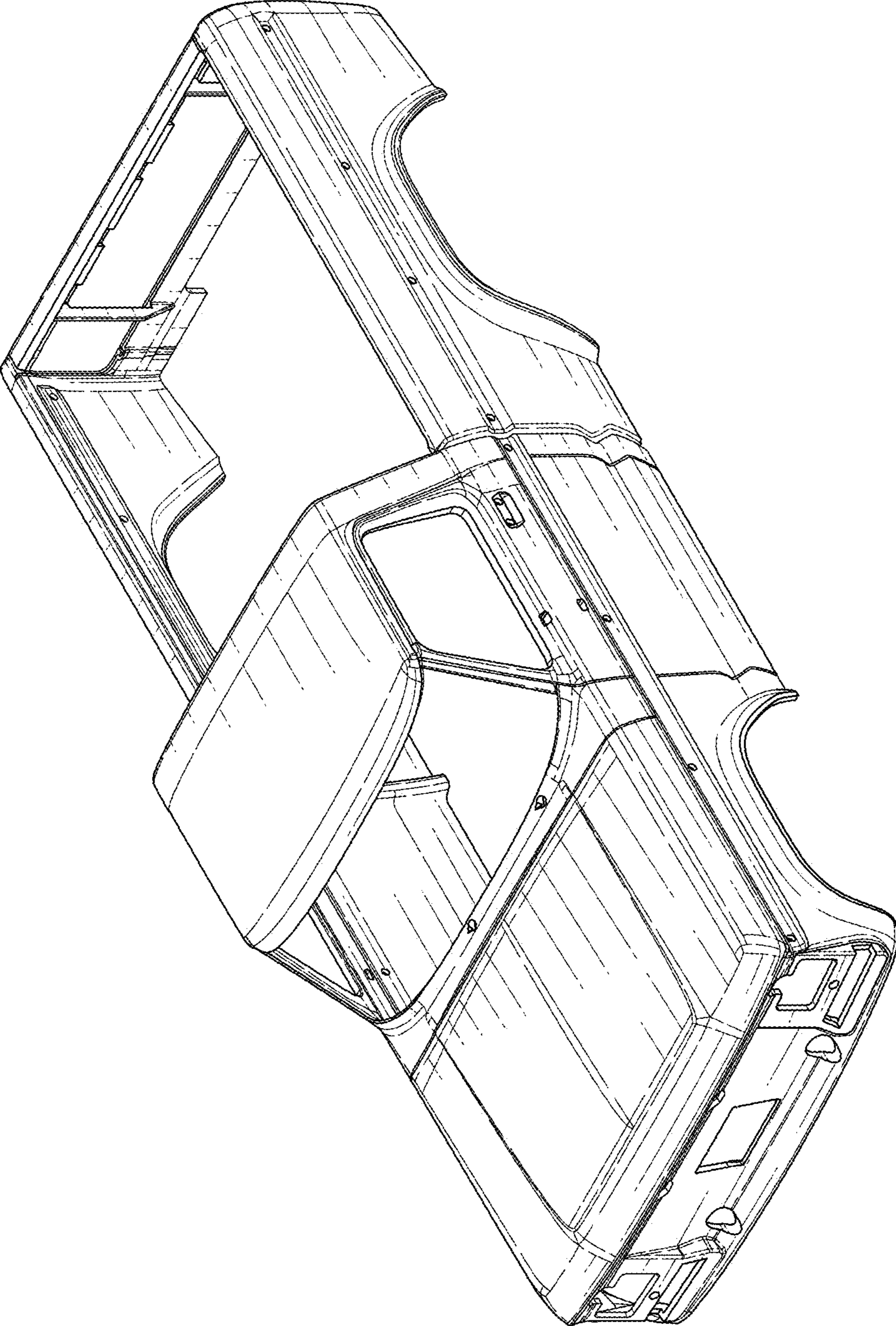


FIG. 1

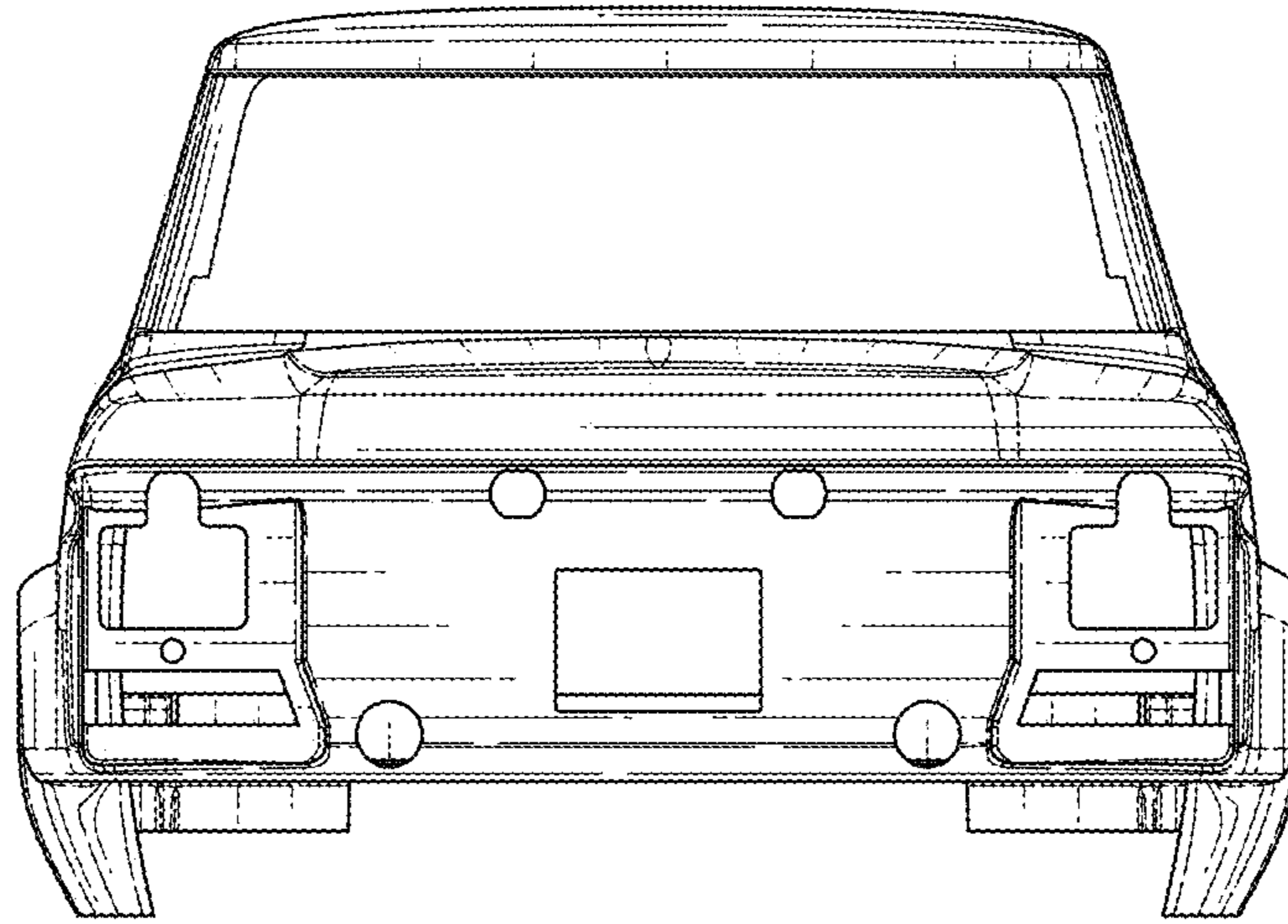


FIG. 2

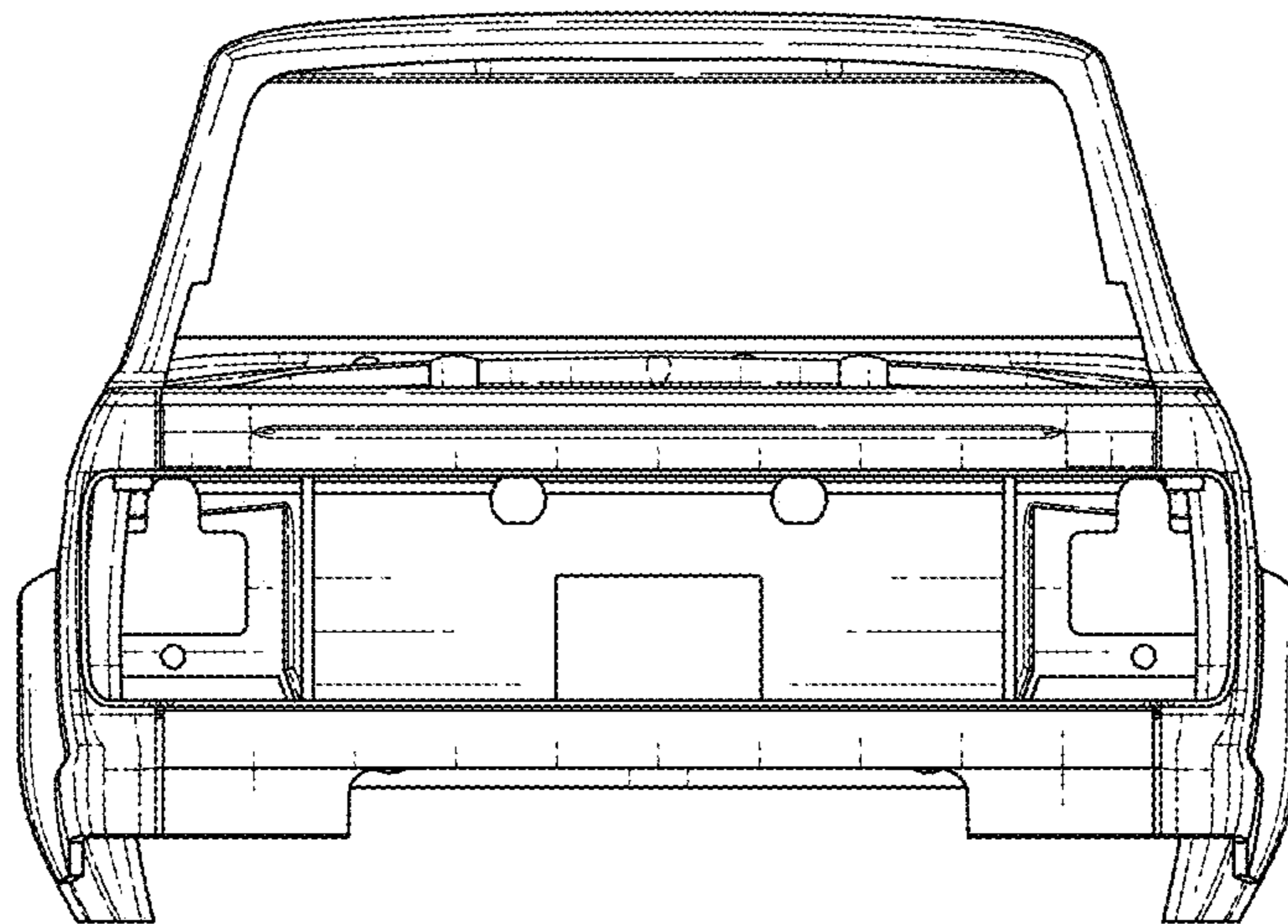


FIG. 3

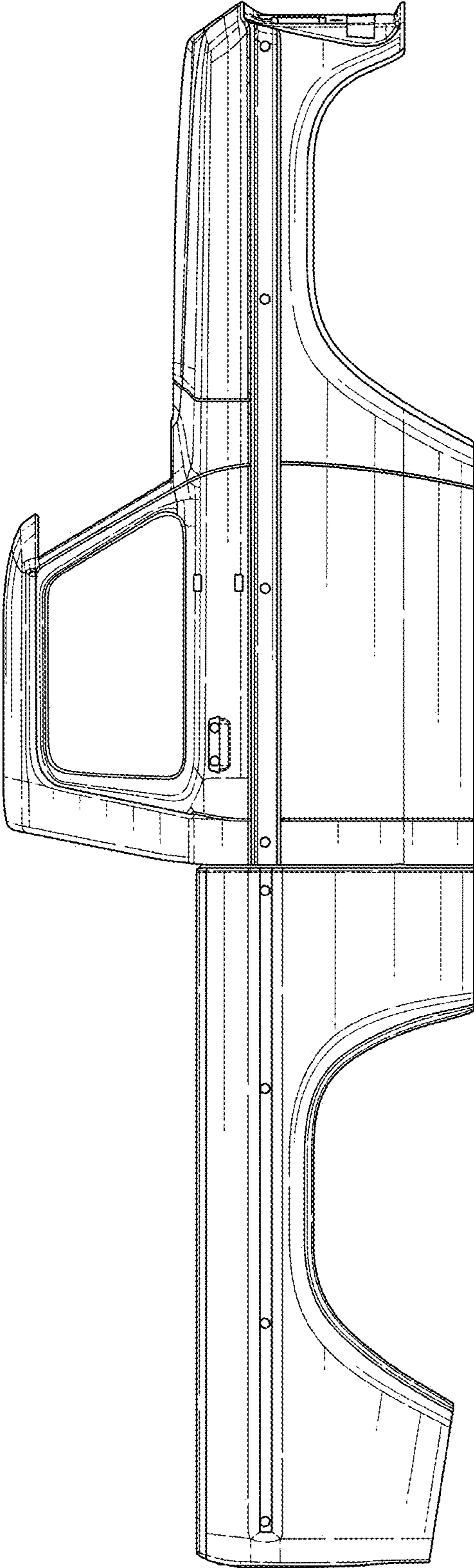


FIG. 4

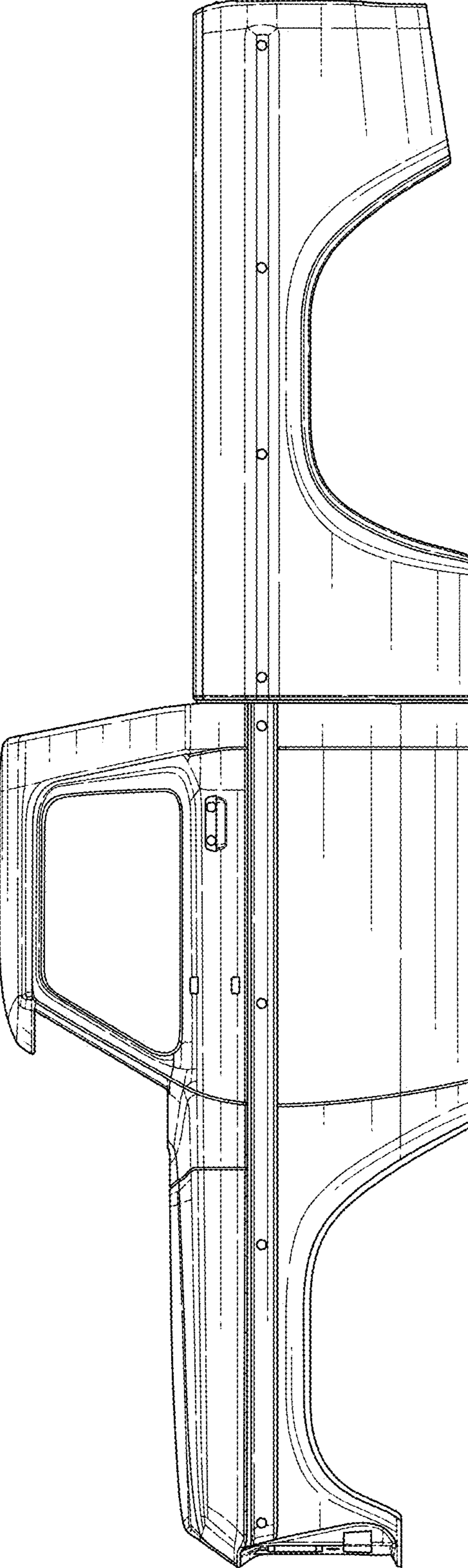


FIG. 5

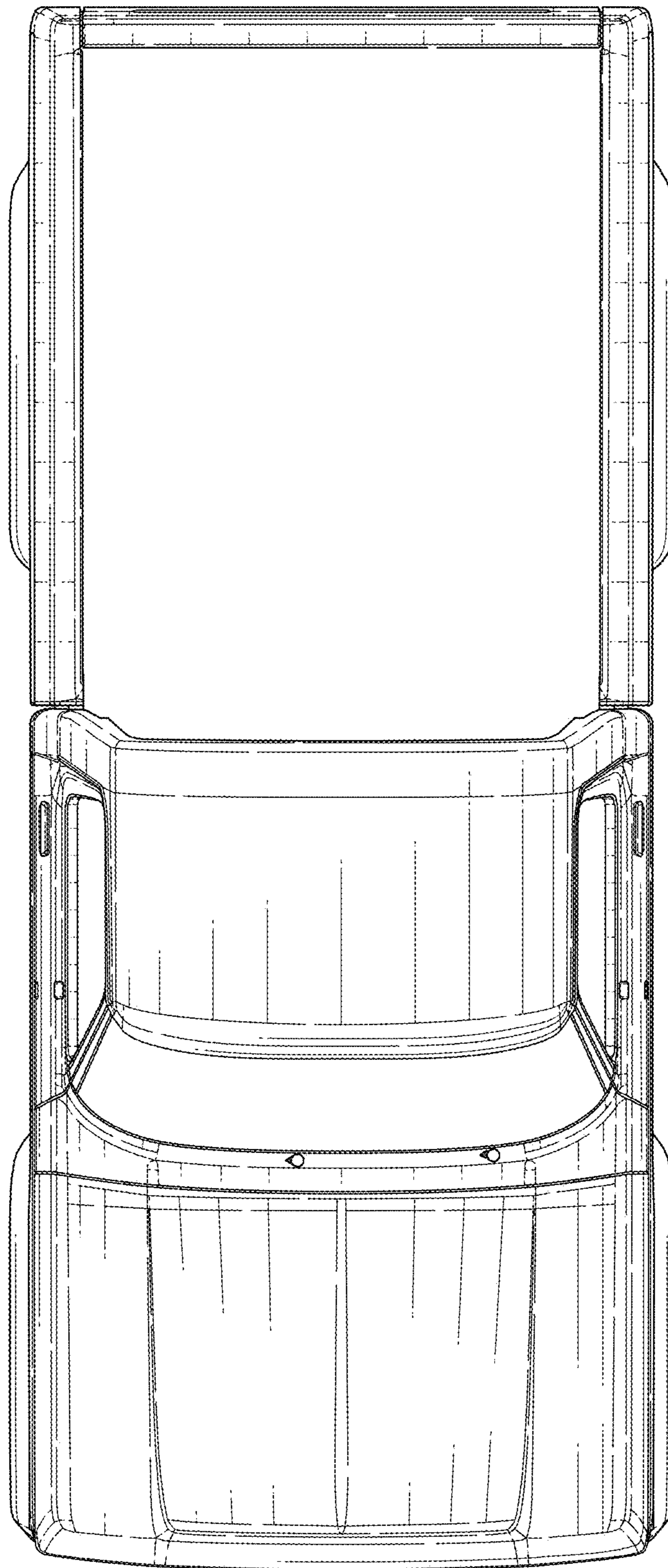


FIG. 6

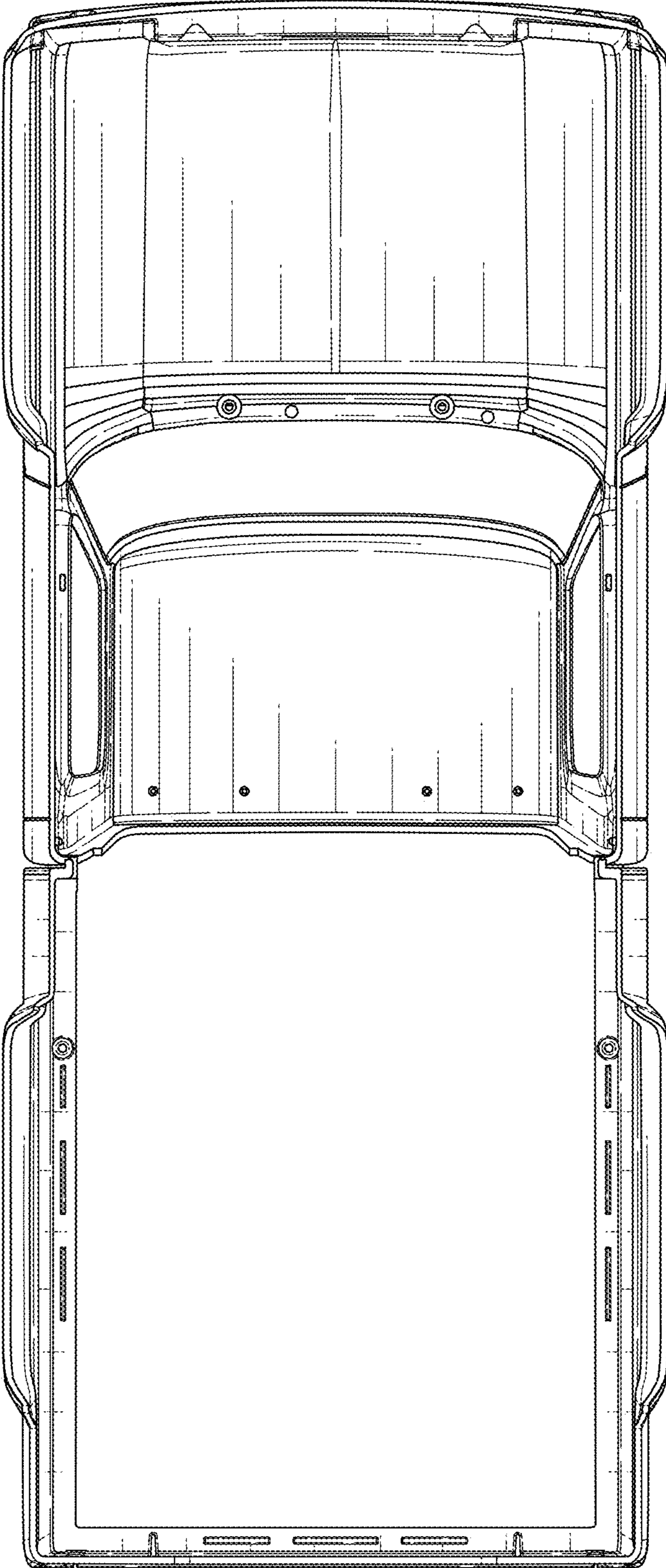


FIG. 7

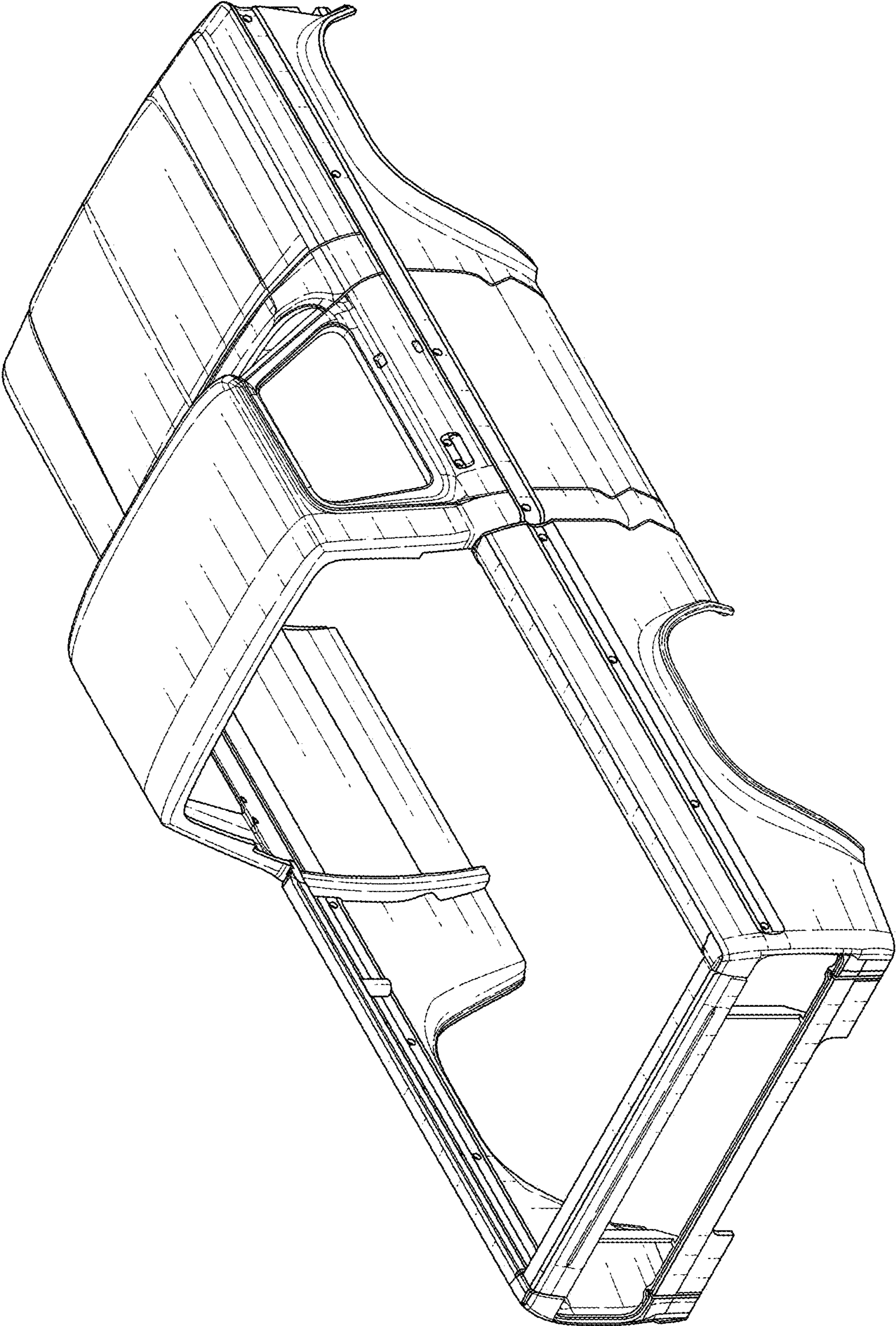


FIG. 8

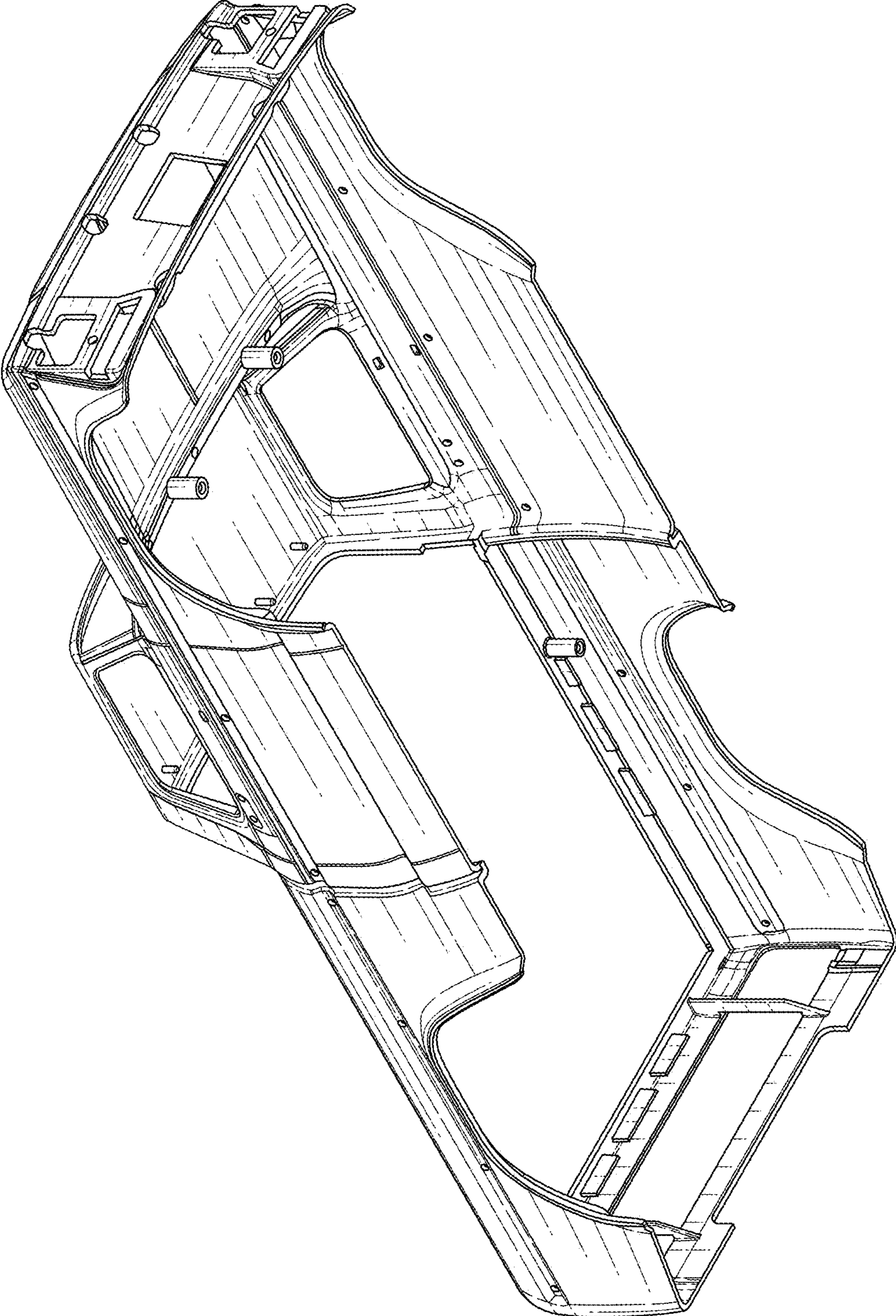


FIG. 9

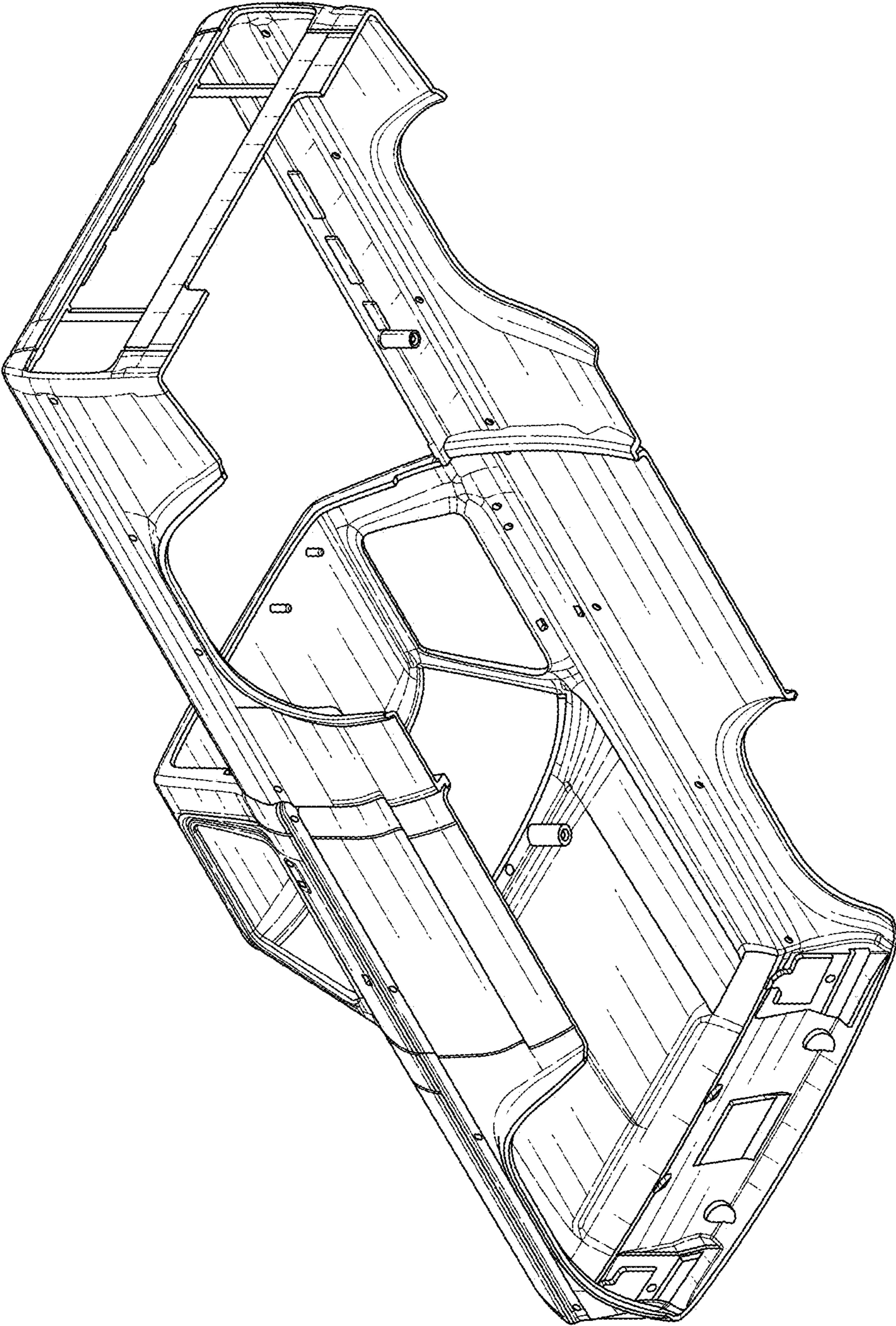


FIG. 10