



US0D1056979S

(12) **United States Design Patent** (10) **Patent No.:** **US D1,056,979 S**
Poteet et al. (45) **Date of Patent:** **** Jan. 7, 2025**

(54) **MODEL VEHICLE TRANSMISSION COVER**

FOREIGN PATENT DOCUMENTS

(71) Applicant: **TRAXXAS, L.P.**, McKinney, TX (US)

CN 303408801 * 10/2015
CN 308084359 * 6/2023

(72) Inventors: **Kent Poteet**, Lucas, TX (US); **Otto Karl Allmendinger**, Rowlett, TX (US); **Adam Cole Ewing**, McKinney, TX (US); **Casey Christen Jens Christensen**, McKinney, TX (US); **Skylar Hagler**, Anna, TX (US)

(Continued)

(73) Assignee: **TRAXXAS, L.P.**, McKinney, TX (US)

OTHER PUBLICATIONS

(**) Term: **15 Years**

Amazon Website, fengshuiluck Gearbox Cover, Earliest Comment Date: Mar. 21, 2024[Website Visited Oct. 17, 2024] Available on the Internet URL <https://www.amazon.com/dp/B0CR97LR9T?th=1> (Year: 2024).*

(21) Appl. No.: **29/886,309**

(Continued)

(22) Filed: **Mar. 7, 2023**

Primary Examiner — S. Bryan Reinholdt, Jr.

(51) **LOC (15) Cl.** **21-01**

Assistant Examiner — James T Tyree

(52) **U.S. Cl.**

(74) *Attorney, Agent, or Firm* — Daryl R. Wright; Greg Carr

USPC **D21/561**; D21/560; D21/562; D21/533

(58) **Field of Classification Search**

USPC D21/561, 562, 563, 565, 424, 495, 533

CPC A63H 17/262; A63H 19/18; B60G 7/003

See application file for complete search history.

(57) **CLAIM**

The ornamental design for a model vehicle transmission cover as shown and described.

(56) **References Cited**

DESCRIPTION

U.S. PATENT DOCUMENTS

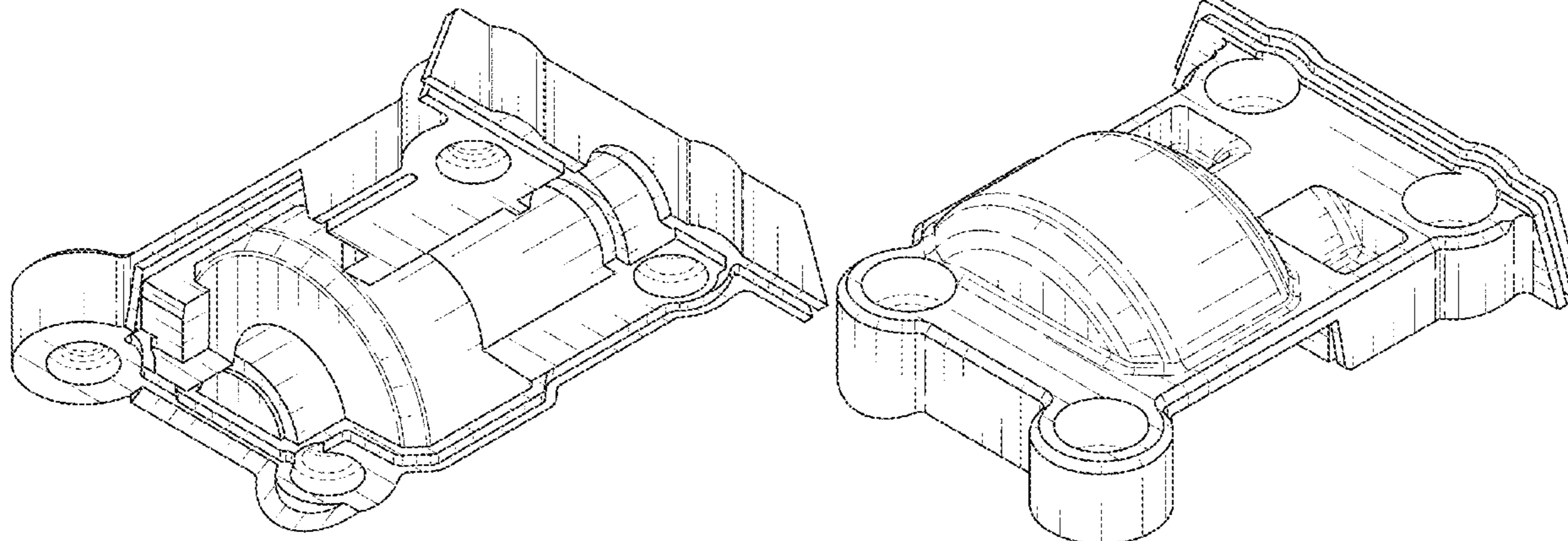
D219,362 S	12/1970	Snyder	
3,829,117 A	8/1974	Park	
D250,465 S	12/1978	Morrison	
4,683,986 A	8/1987	Darda et al.	
D300,913 S	5/1989	Kamaya	
D309,930 S	8/1990	Asaeda	
D311,942 S *	11/1990	Dideriksen D21/561
D317,336 S	6/1991	Tsuchiya	
5,131,701 A	7/1992	Stepniewski	
D332,978 S	2/1993	Tsuchiya	
D332,979 S	2/1993	Tsuchiya	
5,322,040 A	6/1994	Lo	
D348,911 S	7/1994	Herrick et al.	

FIG. 1 is a lower, right, front perspective view of a model vehicle transmission cover showing our new design; FIG. 2 is an upper, right, rear perspective view thereof; FIG. 3 is an upper, left, front perspective view thereof; FIG. 4 is a lower, left, rear perspective view thereof; FIG. 5 is a front elevation view thereof; FIG. 6 is a rear elevation view thereof; FIG. 7 is a right side elevation view thereof; FIG. 8 is a left side elevation view thereof; FIG. 9 is an upper plan view thereof; and, FIG. 10 is a lower plan view of the model vehicle transmission cover.

In the drawings, the broken lines illustrate portions of the model vehicle transmission cover that form no part of the claimed design.

(Continued)

1 Claim, 6 Drawing Sheets



(56)

References Cited

U.S. PATENT DOCUMENTS

5,338,247 A 8/1994 Miles
 D375,037 S 10/1996 Toenders
 D403,023 S 12/1998 Araki
 D411,263 S 6/1999 Korsholm
 D412,478 S 8/1999 Chen
 D467,553 S * 12/2002 Cheng D13/154
 D475,001 S 5/2003 Roll
 D477,268 S 7/2003 Baynes
 D493,848 S 8/2004 Dunst
 D494,933 S * 8/2004 Lu D13/133
 6,793,227 B1 9/2004 Weisgerber et al.
 D503,658 S 4/2005 Lu
 D513,223 S 12/2005 Saito et al.
 D521,572 S 5/2006 Yuen
 D521,899 S 5/2006 Walden
 D523,775 S 6/2006 Walden
 D523,776 S 6/2006 Walden
 D524,880 S 7/2006 Yuen
 D534,593 S 1/2007 Yuen
 D538,861 S 3/2007 Takahashi
 D545,246 S 6/2007 Kroeker
 D545,721 S 7/2007 Hacker et al.
 D549,787 S 8/2007 Chen
 D550,311 S 9/2007 Chen
 7,281,600 B2 10/2007 Chernoff et al.
 D556,648 S 12/2007 Nelson et al.
 D564,410 S 3/2008 Lepage
 D567,886 S 4/2008 Lampert et al.
 D570,735 S 6/2008 Ogihara
 7,390,280 B2 6/2008 Duitsman et al.
 D577,083 S 9/2008 Nakayama
 D586,695 S 2/2009 Burns
 D586,696 S 2/2009 Burns
 D593,616 S 6/2009 Asai
 D597,151 S 7/2009 Ishikawa
 7,637,831 B2 12/2009 Araki
 D639,207 S 6/2011 Danisi
 D642,090 S 7/2011 Karacabey et al.
 D642,091 S 7/2011 Karacabey et al.
 D642,960 S 8/2011 Berrier
 D647,002 S 10/2011 Mullen
 D648,250 S 11/2011 Nosworthy
 D651,133 S 12/2011 Liebl
 D651,947 S 1/2012 Hsu
 D655,236 S 3/2012 Sanschagrín
 D655,668 S 3/2012 Levorato et al.
 8,162,791 B1 4/2012 Cronin
 D681,542 S 5/2013 Oliver
 D690,372 S 9/2013 Fujiwara
 D691,523 S 10/2013 Waugh et al.
 8,827,030 B1 9/2014 Strenge
 D722,542 S 2/2015 Ikeda
 D727,802 S 4/2015 Sung et al.
 D758,281 S 6/2016 Galloway
 D761,713 S 7/2016 Hensley
 D766,157 S 9/2016 Reynolds et al.
 D778,784 S 2/2017 Hirooka
 D780,643 S 3/2017 Hare
 D781,207 S 3/2017 Johnson
 D783,502 S 4/2017 Hensley
 D783,503 S 4/2017 Hensley
 D783,726 S 4/2017 Williams et al.
 D802,685 S 11/2017 Barajas et al.
 D810,148 S 2/2018 Loew et al.
 D816,009 S 4/2018 Reynolds et al.
 D818,415 S 5/2018 Haws
 D820,072 S 6/2018 Choi
 D820,736 S 6/2018 Vaarsi
 D822,126 S 7/2018 Allmendinger et al.
 D826,340 S * 8/2018 Ewing D21/561
 D826,831 S 8/2018 Eck et al.
 D829,831 S 10/2018 Redlin et al.
 D836,501 S 12/2018 Mori
 D844,070 S 3/2019 Christensen et al.
 D851,183 S 6/2019 Wood et al.

D863,171 S 10/2019 Harriton et al.
 D867,475 S 11/2019 Ewing et al.
 D875,848 S 2/2020 Wood et al.
 D902,088 S 11/2020 Nakamura et al.
 D913,212 S * 3/2021 Ouyang D27/162
 D923,115 S * 6/2021 Ewing D21/562
 11,058,275 B2 7/2021 Hopkins et al.
 D935,532 S 11/2021 Ewing
 D939,442 S * 12/2021 Soward D13/120
 D940,254 S 1/2022 Lin
 D952,051 S 5/2022 Xu
 D952,052 S 5/2022 Xu
 D956,886 S 7/2022 Xing et al.
 D964,482 S 9/2022 Ewing et al.
 D966,952 S 10/2022 Boaz et al.
 D967,288 S 10/2022 Li
 D975,204 S 1/2023 Xu
 D992,049 S 7/2023 Yang et al.
 D994,606 S * 8/2023 Belle D13/133
 D996,528 S * 8/2023 Christensen D21/562
 D1,018,382 S * 3/2024 Ewing D12/160
 D1,019,480 S * 3/2024 Collins D12/160
 D1,030,910 S * 6/2024 Poteet D21/495
 D1,040,255 S * 8/2024 Ewing D21/561
 2003/0029260 A1 2/2003 Kawahara
 2003/0236121 A1 12/2003 Byers
 2013/0117960 A1 5/2013 Lee
 2014/0227941 A1 8/2014 Suzuki
 2018/0070789 A1 3/2018 LaBarbera et al.
 2021/0205722 A1 7/2021 Yu
 2021/0283517 A1 9/2021 Rydwell
 2023/0219010 A1 7/2023 Christensen et al.

FOREIGN PATENT DOCUMENTS

EM 008305460-0004 12/2020
 EM 008305460-0005 12/2020
 GB 6307600 * 9/2023

OTHER PUBLICATIONS

Traxxas Website, Traxxas Aluminum Gear Cover, No Available Date [Website Visited Oct. 17, 2024] Available on the Internet URL <https://traxxas.com/products/parts/7787-ORNG> (Year: 2024).*

Amazon Website, Hot Racing Gear Cover, Earliest Comment Date: Apr. 19, 2016 [Website Visited Oct. 17, 2024] Available on the Internet URL <https://www.amazon.com/dp/B01EILWLI0/> (Year: 2024).*

Axial SCX10 II 2000 Jeep Cherokee 1/10th Scale Electric 4WD—RTR; <http://www.axialracing.com/products/ax90047/>; Aug. 2016.

Axial SCX10 Deadbolt 1/10th Scale Electric 4WD—RTR; <http://www.axialracing.com/products/ax90044/>; Aug. 2016.

Tibus Off-Road Engineering; Land Rover Defender; <http://www.tibus-offroad.com/en/products/bolt-on-portals/land-rover/>; Aug. 2016.

HPI Racing; HPI Venture FJ Cruiser; <http://www.hpiracing.com/en/article/view/2016012702>; Aug. 2016.

Tamiya 58647 1:10 RC M-07 Con. WB225/239 Remote Control Car Vehicle Model, Sep. 15, 2017, Amazon.co.uk, Sep. 22, 2021, URL: <https://www.amazon.co.uk/Tamiya-M-07-Concept-Chassis-58647/dp/B06ZY297CC> (Year: 2017).

Tamiya 57986 1:10 RC TT-02 Chassis First Try On-Road Vehicle, Aug. 19, 2016, Amazon.co.uk, Sep. 22, 2021, URL: <https://www.amazon.co.uk/Tamiya-57986-10-RC-Chassis-First/dp/B01JLF7GB0> (Year: 2016).

Newrice Remote Control Car Building Blocks Kit, 1:12 Scale MOC Off-Road Vehicle, May 25, 2021, Amazon.co.uk, Sep. 22, 2021, URL: <https://www.amazon.co.uk/NEWRICE-Remote-Control-Building-Blocks/dp/B0912YKHM4> (Year: 2021).

New Heavy-Duty Chassis Brace, available on traxxas.com, published Aug. 26, 2020, [site visited Jan. 24, 2022], URL: <https://traxxas.com/news/new-chassis-brace> (Year: 2020).

Traxxas Heavy-Duty Chassis Brace, available on rccaraction.com, updated Aug. 27, 2020, [site visited Jan. 24, 2022], URL: <https://www.rccaraction.com/traxxas-heavy-duty-chassis-brace-for-the-slash-4x4-rustler-4x4> (Year: 2020).

(56)

References Cited

OTHER PUBLICATIONS

HD Chassis Brace, available on web.archive.org, captured Sep. 27, 2020, [site visited Jan. 24, 2022], URL: <https://web.archive.org/web/20200927005210/https://traxxas.com/products/parts/6730X?t=overview> (Year: 2020).

RC Update—Traxxas Heavy-Duty Chassis Brace, available on Youtube.com, date posted Sep. 15, 2020, [site visited Jan. 24, 2022], URL: <https://www.youtube.com/watch?v=jDGkrXluKyY> (Year: 2020).

Traxxas Rustler/Slash 4x4 LCG Chassis, available on hobbytown.com, product added to catalog Feb. 17, 2021, [site visited Jan. 24, 2022], URL: <https://www.hobbytown.com/traxxas-rustler-slash-4x4-lcg-chassis-brace-kit-green-tra6730g/p1254464> (Year: 2021).

Traxxas 6730G—Chassis Brace Kit, available on amazon.com, oldest customer review Apr. 12, 2021, [site visited Jan. 24, 2022], URL: <https://www.amazon.com/Traxxas-6730G-Chassis-Brace-Aluminum/dp/B08P6V5M9B/> (Year: 2021).

Aluminum Center Brace Bar & Mount, available on amazon.com, [site visited Jan. 24, 2022], URL: <https://www.amazon.com/Aluminum-Center-Brace-Traxxas-90076-4/dp/B08P4TJ73J> (Year: 2022).

Cusco Front Power Brace, available on tf-works.com, [site visited Jan. 24, 2022], URL: <https://www.tf-works.com/cusco-front-power-brace-for-2013-scion-frs-subaru-brz/> (Year: 2022).

Traxxas Slash 4x4 (LCG) Chassis Brace, available on ebay.com, last updated Mar. 3, 2021, [site visited Jan. 24, 2022], URL: <https://www.ebay.com/itm/392047539576> (Year: 2021).

Cusco Body Reinforcement Parts for Toyota GR Yaris, available on easycars.jp, [site visited Jan. 24, 2022], URL: <https://easycars.jp/product/cusco-bodye-for-toyota-gr-yaris/> (Year: 2022).

TBR Aluminum T2T Tower to Tower, available on tboneracing.net, oldest customer review Oct. 2, 2019, [site visited Jan. 24, 2022], URL: <https://tboneracing.net/products/10109-tbr-aluminum-t2t-tower-to-tower-brace-arrma-kraton-talion-6s-blx> (Year: 2019).

Chassis Brace Kit Blue, available on amazon.com, oldest customer review Dec. 5, 2020, [site visited Jan. 24, 2022], URL: <https://www.amazon.com/Traxxas-Chassis-Brace-KIT-Blue/dp/B08LCM122P/> (Year: 2020).

Wendland, Louis C., U.S. Pat. No. D. 058,959 S, Patented Sep. 6, 1921.

Trego, Frank H., U.S. Pat. No. D. 042,406 S, Patented Apr. 9, 1912.

Traxxas Sledge Aluminum Chassis (Blue), as shown in www.hobbytown.com, Jun. 30, 2022 (Year: 2022).

Traxxas Sledge 6S Green Brushless 1:8 Auto RC Truggy 4WD (4WD) Ready to Run (RTR) 2.4GHz, as shown in www.amazon.com, Aug. 18, 2022, ASIN B0B59PV1C9 (Year: 2022).

* cited by examiner

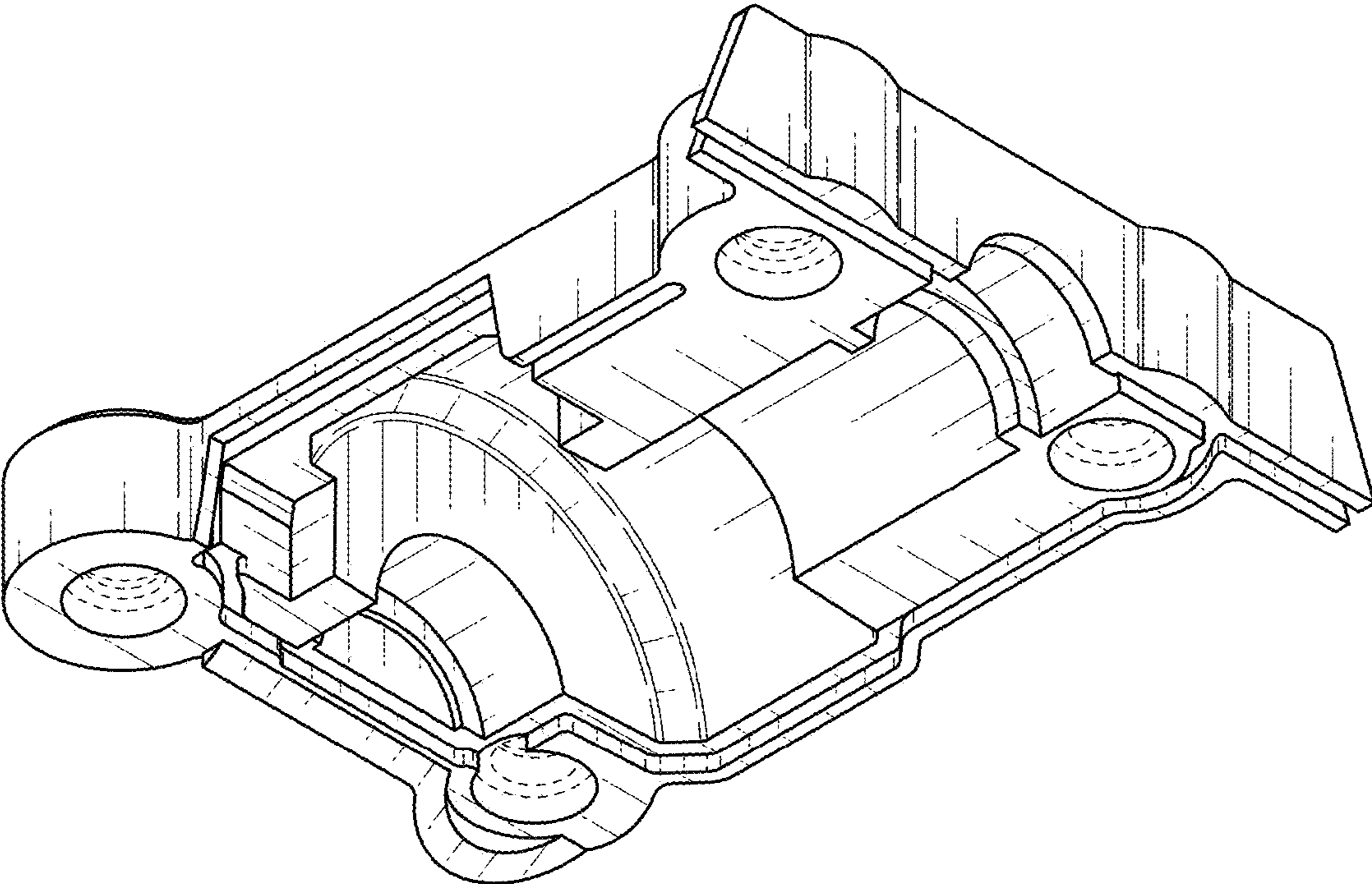


FIG. 1

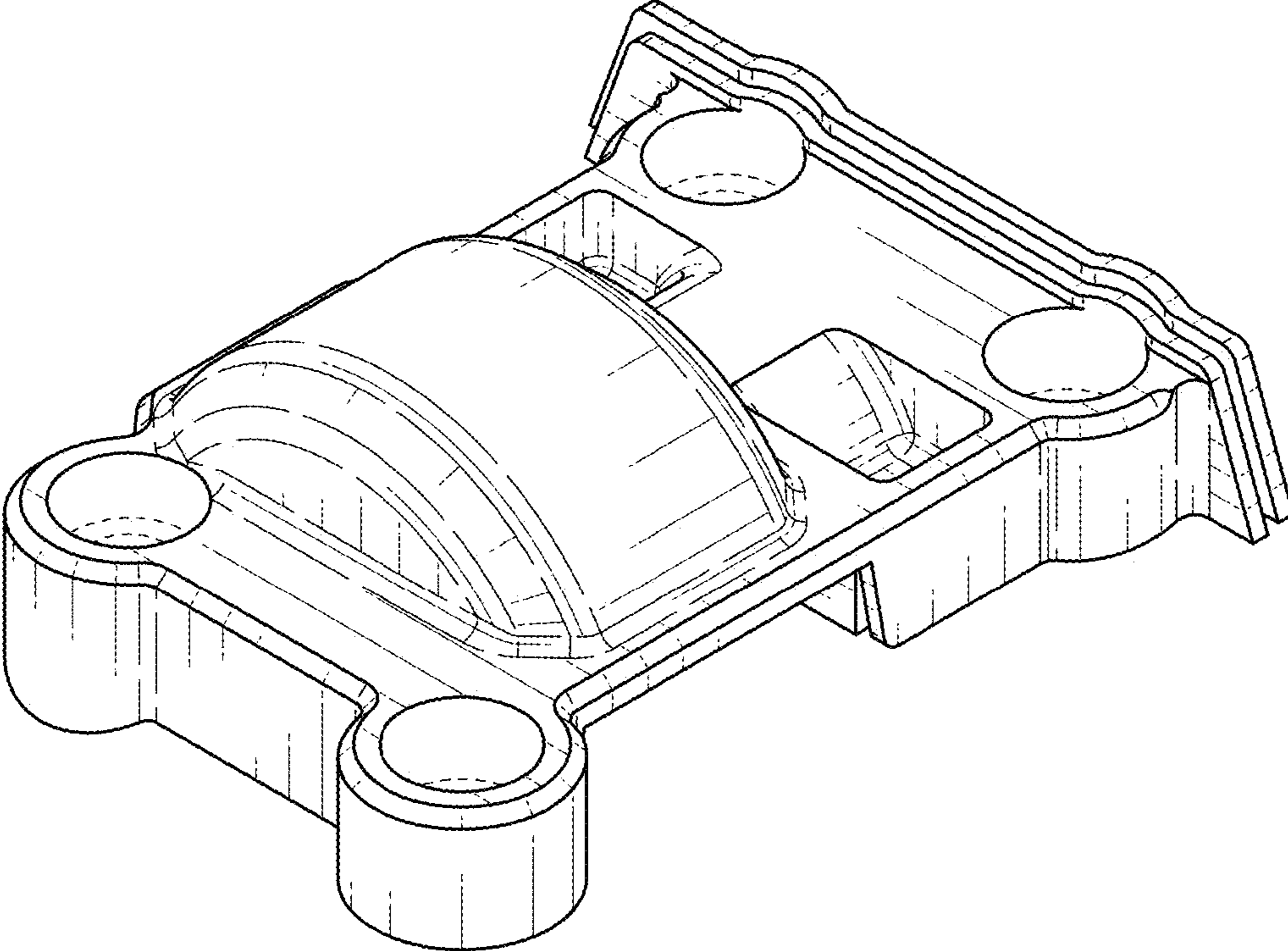


FIG. 2

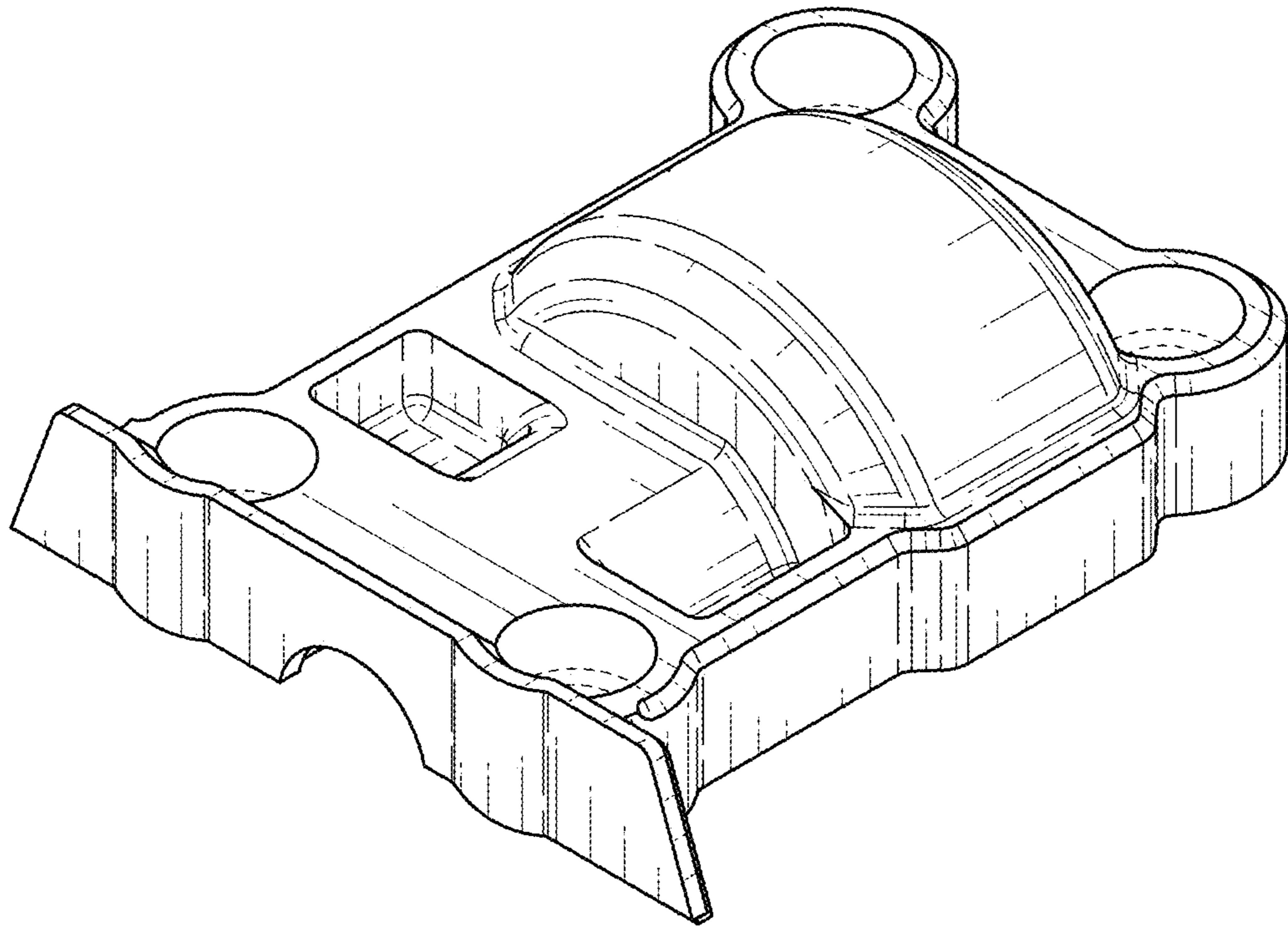


FIG. 3

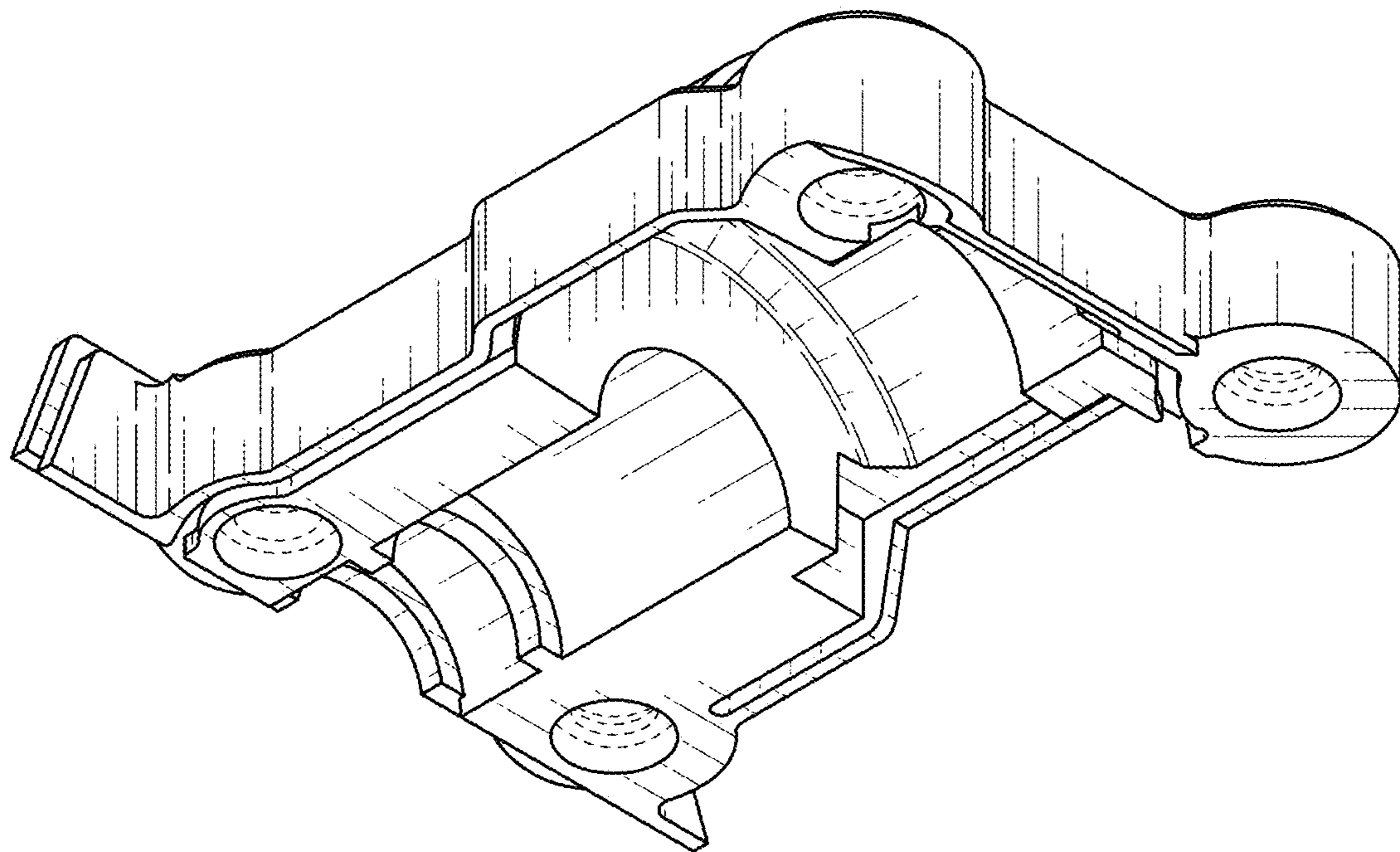


FIG. 4

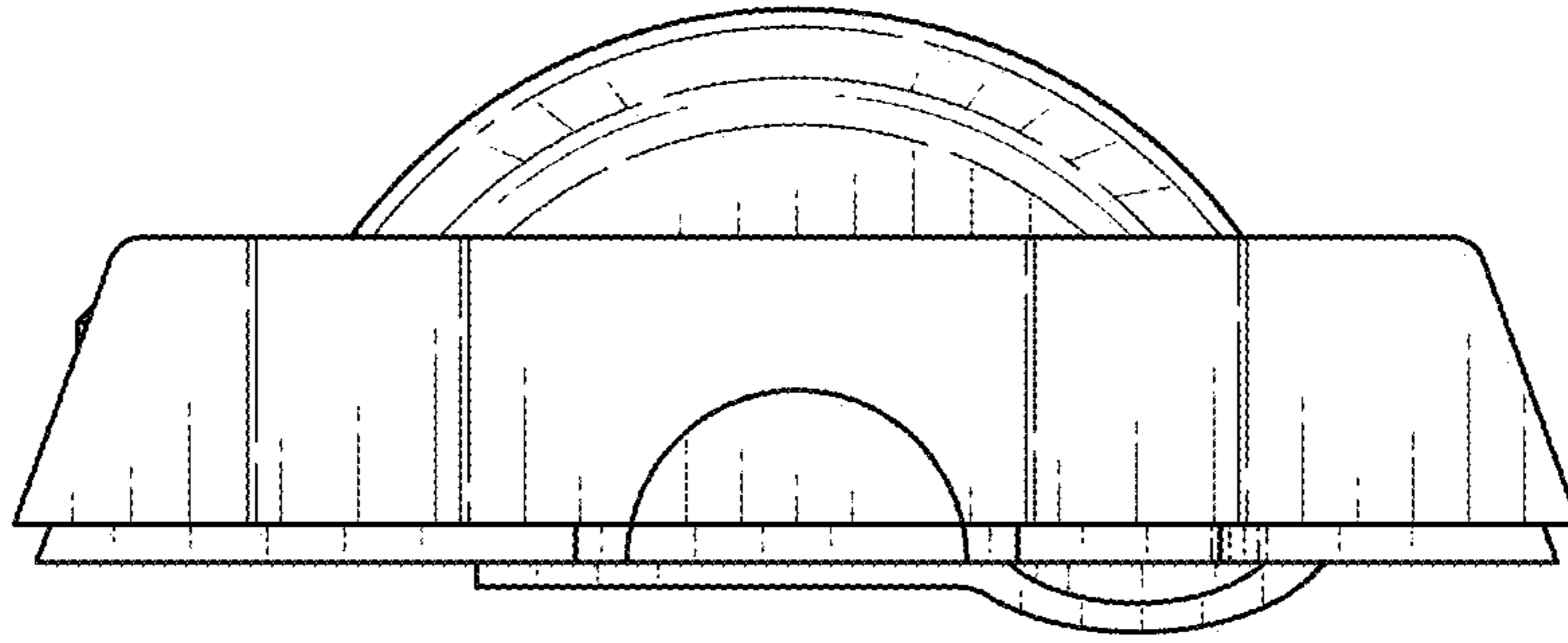


FIG. 5

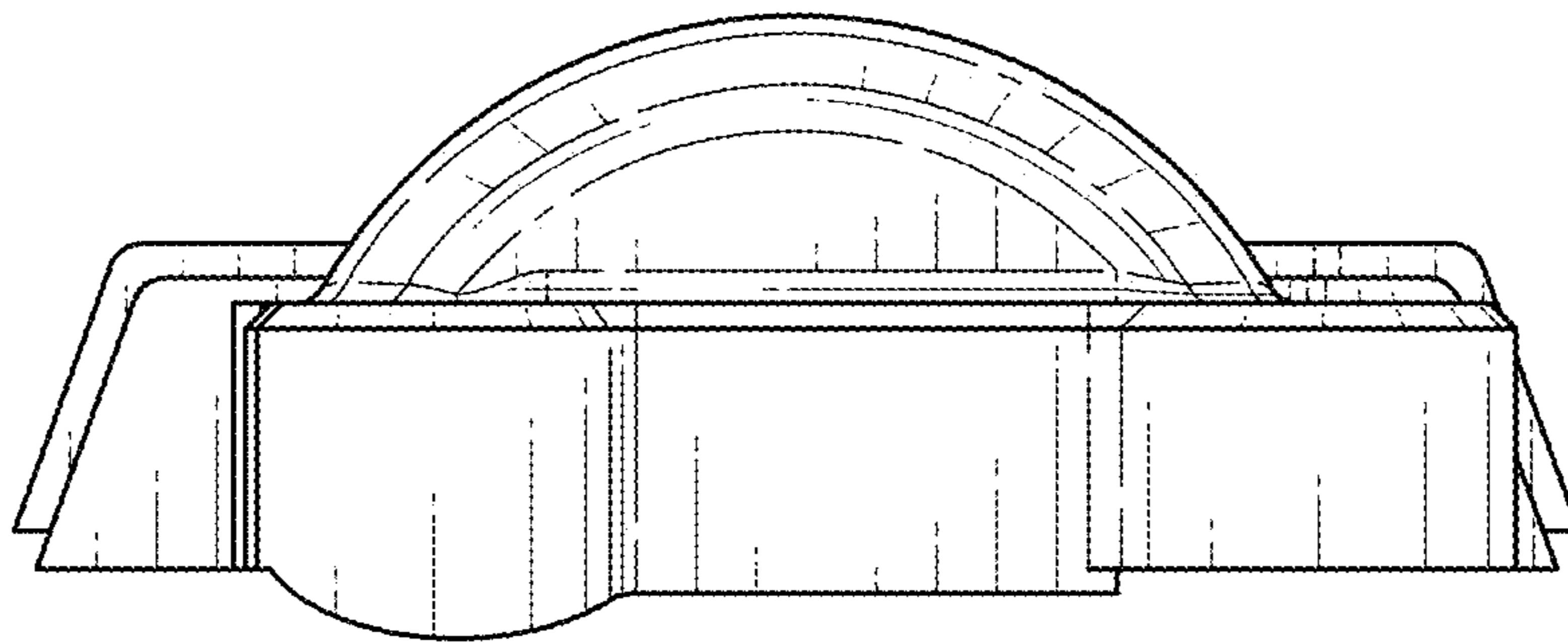


FIG. 6

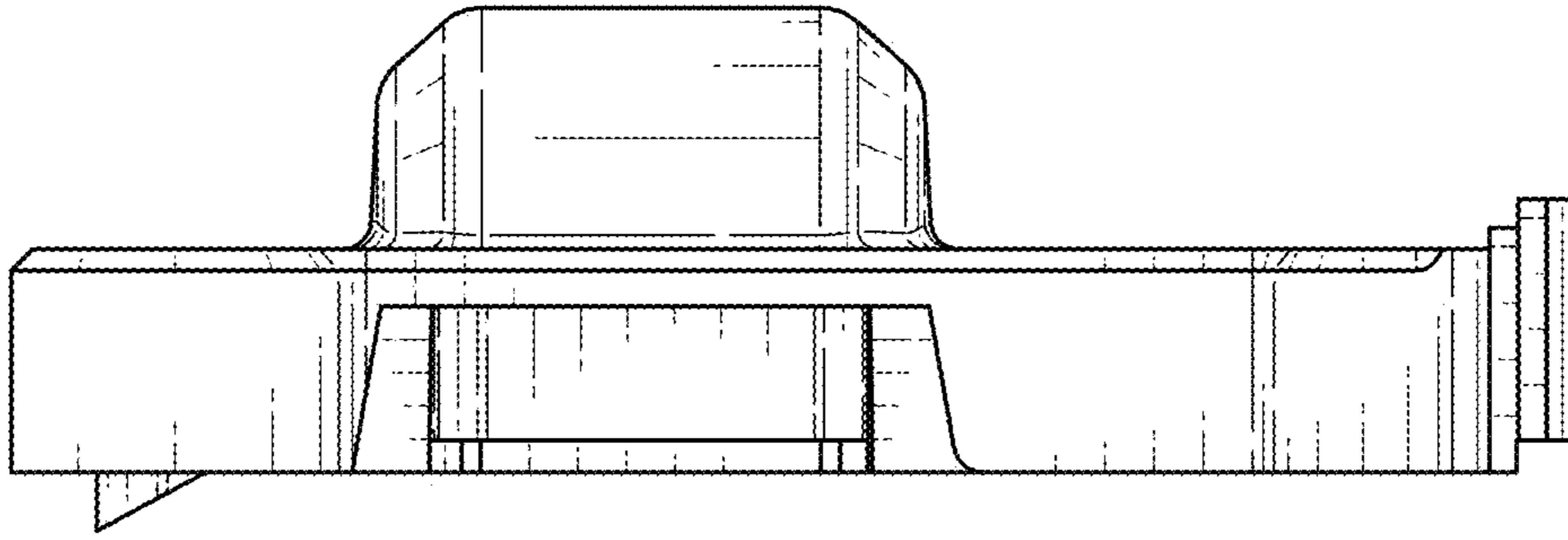


FIG. 7

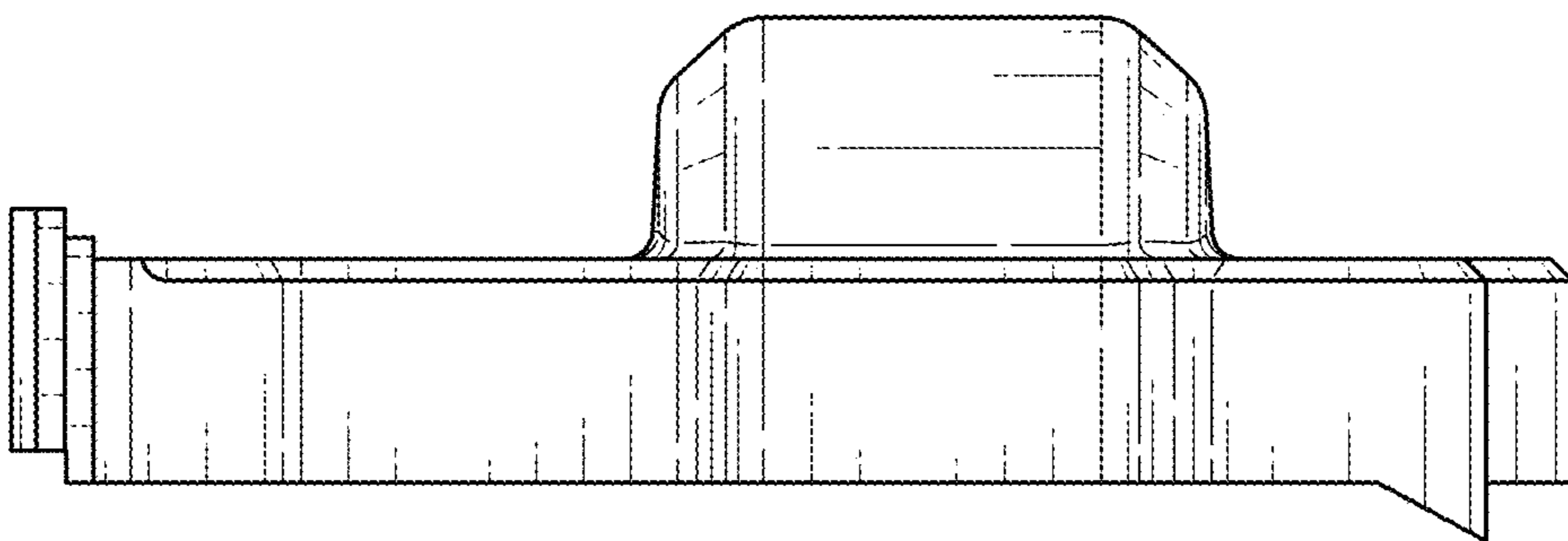


FIG. 8

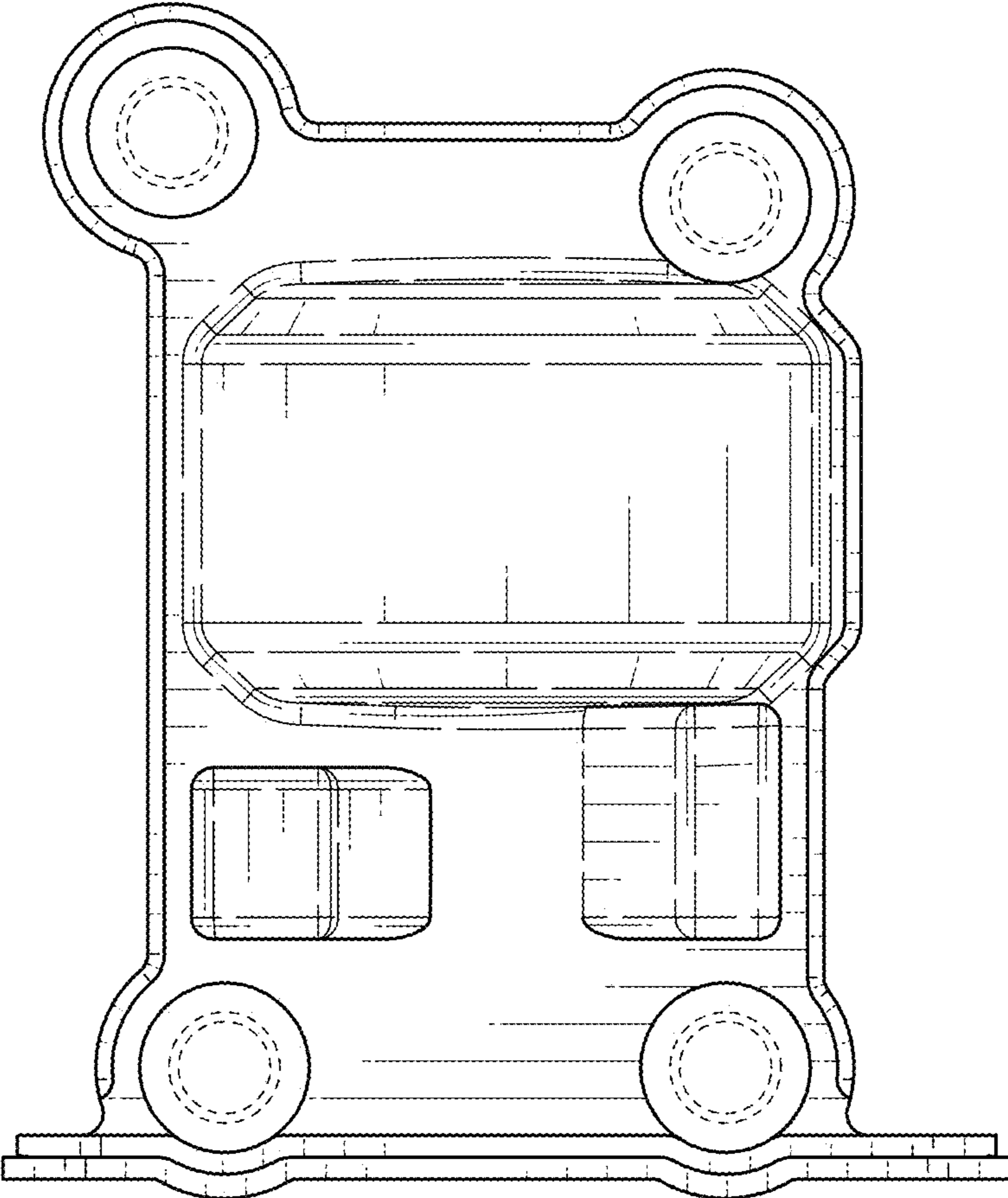


FIG. 9

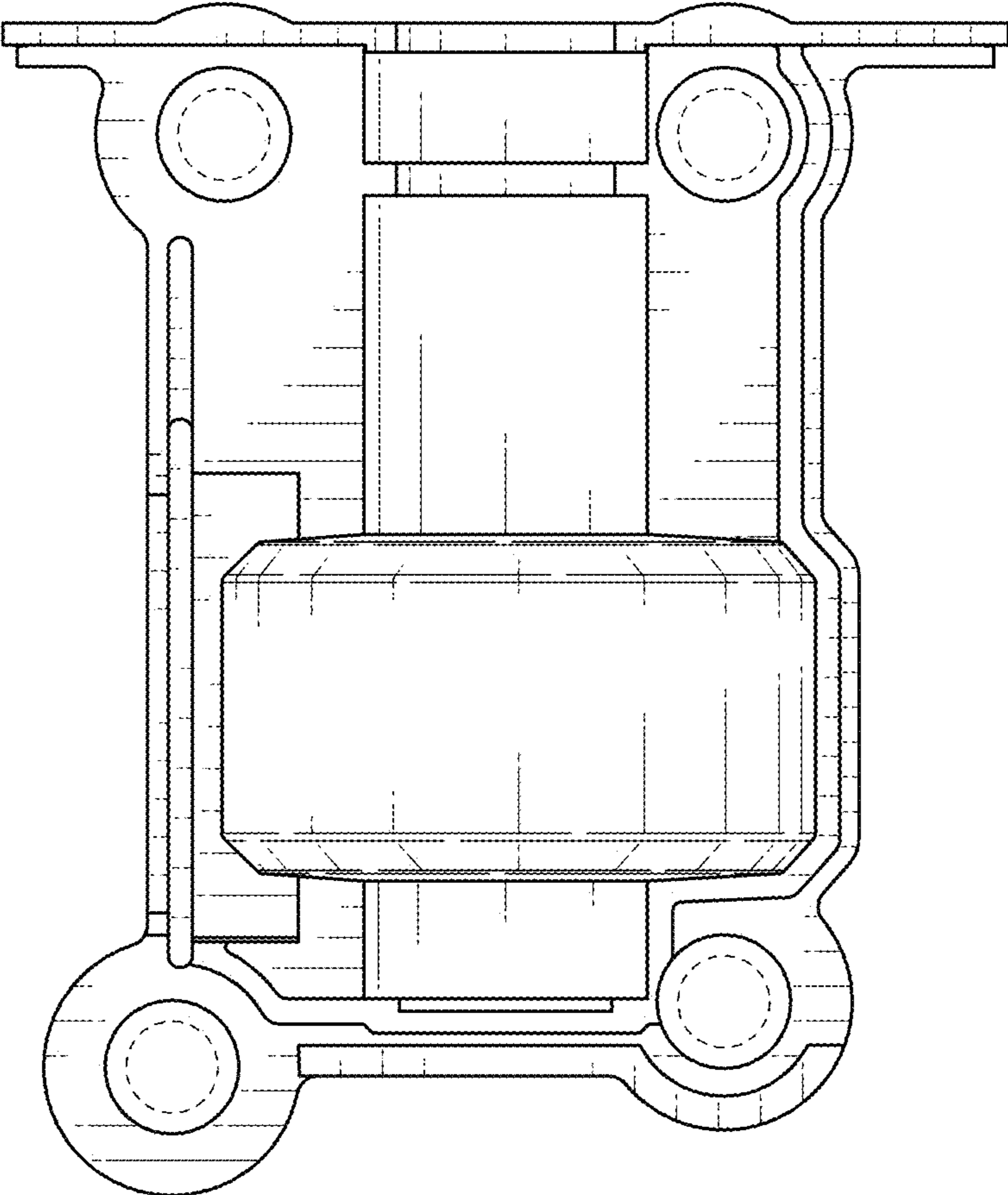


FIG. 10