



US0D1056650S

(12) **United States Design Patent** (10) **Patent No.:** **US D1,056,650 S**
Taylor (45) **Date of Patent:** **** Jan. 7, 2025**

(54) **SOIL REINFORCING STABILIZER**

(71) Applicant: **THE TAYLOR IP GROUP LLC**,
Colleyville, TX (US)

(72) Inventor: **Thomas P. Taylor**, Colleyville, TX
(US)

(73) Assignee: **THE TAYLOR IP GROUP LLC**,
Colleyville, TX (US)

(**) Term: **15 Years**

(21) Appl. No.: **29/806,399**

(22) Filed: **Sep. 2, 2021**

(51) **LOC (15) Cl.** **08-05**

(52) **U.S. Cl.**
USPC **D8/354; D8/1; D25/164**

(58) **Field of Classification Search**
USPC **D8/1, 14, 16, 349, 354, 373, 376, 380;**
D15/21; D25/164, 199

(Continued)

(56) **References Cited**

U.S. PATENT DOCUMENTS

4,116,010 A * 9/1978 Vidal E02D 29/0241
405/262
D268,344 S * 3/1983 Ronck D15/29

(Continued)

FOREIGN PATENT DOCUMENTS

KR 1020040055886 A 6/2004
KR 301120283.0000 * 7/2021

OTHER PUBLICATIONS

“Mutual Industries Wall Ties” May 14, 2015, Amazon, site visited
Nov. 7, 2024: <https://www.amazon.com/Mutual-Industries-7100-100-22-Wall-Gauge/dp/B00XNQS8IE> (Year: 2015).*

(Continued)

Primary Examiner — Jack Reickel

Assistant Examiner — Sydney M Evans

(74) *Attorney, Agent, or Firm* — NOLTE LACKENBACH
SIEGEL; Andrew Young

(57) **CLAIM**

The ornamental design for a soil reinforcing stabilizer, as
shown and described.

DESCRIPTION

FIG. 1 is a front, top, perspective view of a first soil
reinforcing stabilizer according to the present invention.

FIG. 2 is a rear, bottom, perspective view of thereof.

FIG. 3 is a top plan view thereof.

FIG. 4 is a bottom plan view thereof.

FIG. 5 is a front elevation view thereof.

FIG. 6 is a rear elevation view thereof.

FIG. 7 is a left side elevation view thereof.

FIG. 8 is a right side elevation view thereof.

FIG. 9 is a front, top, perspective view of a second soil
reinforcing stabilizer according to the present invention.

FIG. 10 is a rear, bottom, perspective view of thereof.

FIG. 11 is a top plan view thereof.

FIG. 12 is a bottom plan view thereof.

FIG. 13 is a front elevation view thereof.

FIG. 14 is a rear elevation view thereof.

FIG. 15 is a left side elevation view thereof.

FIG. 16 is a right side elevation view thereof.

FIG. 17 is a front, top, perspective view of a third soil
reinforcing stabilizer according to the present invention.

FIG. 18 is a rear, bottom, perspective view of thereof.

FIG. 19 is a top plan view thereof.

FIG. 20 is a bottom plan view thereof.

FIG. 21 is a front elevation view thereof.

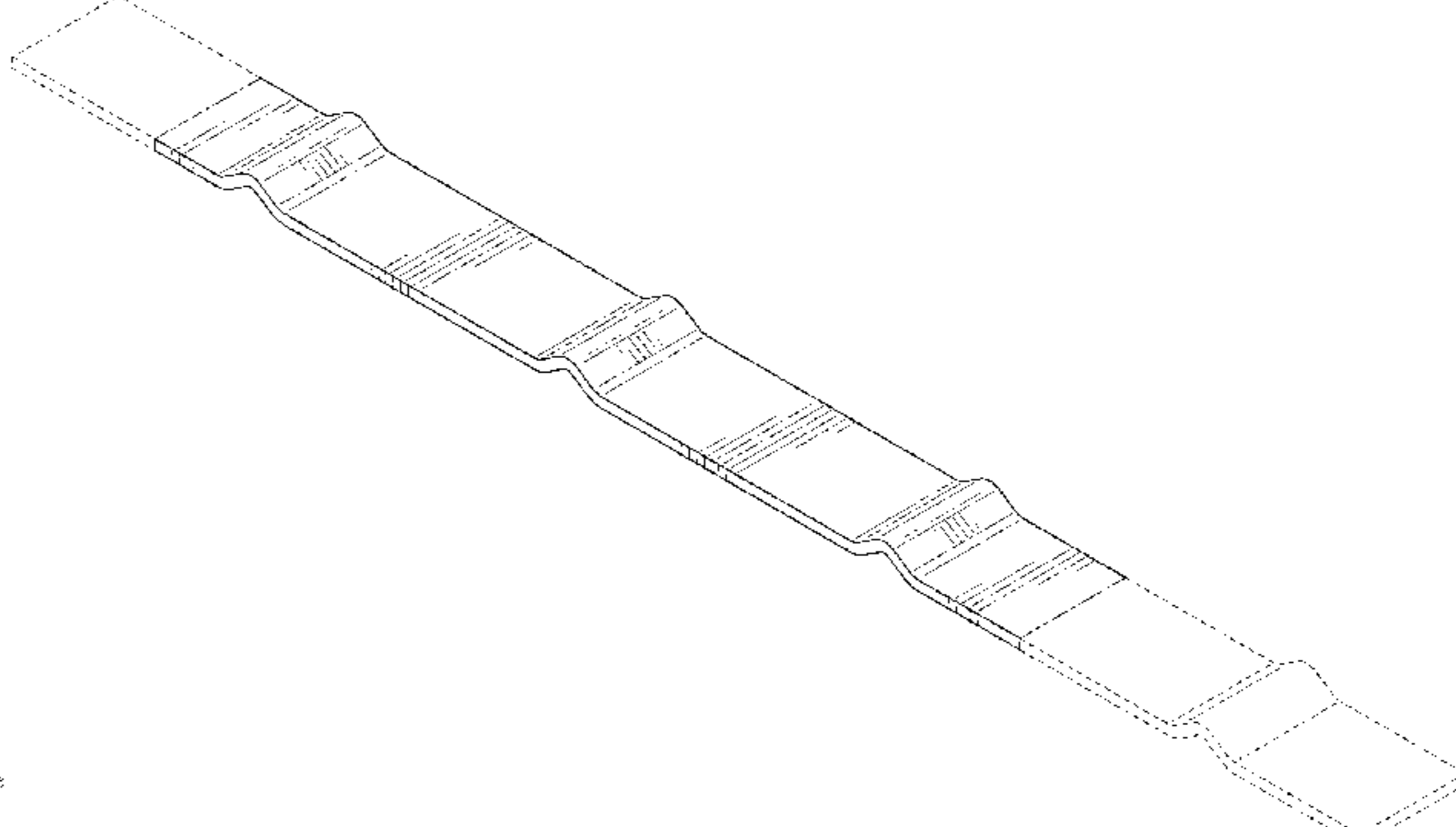
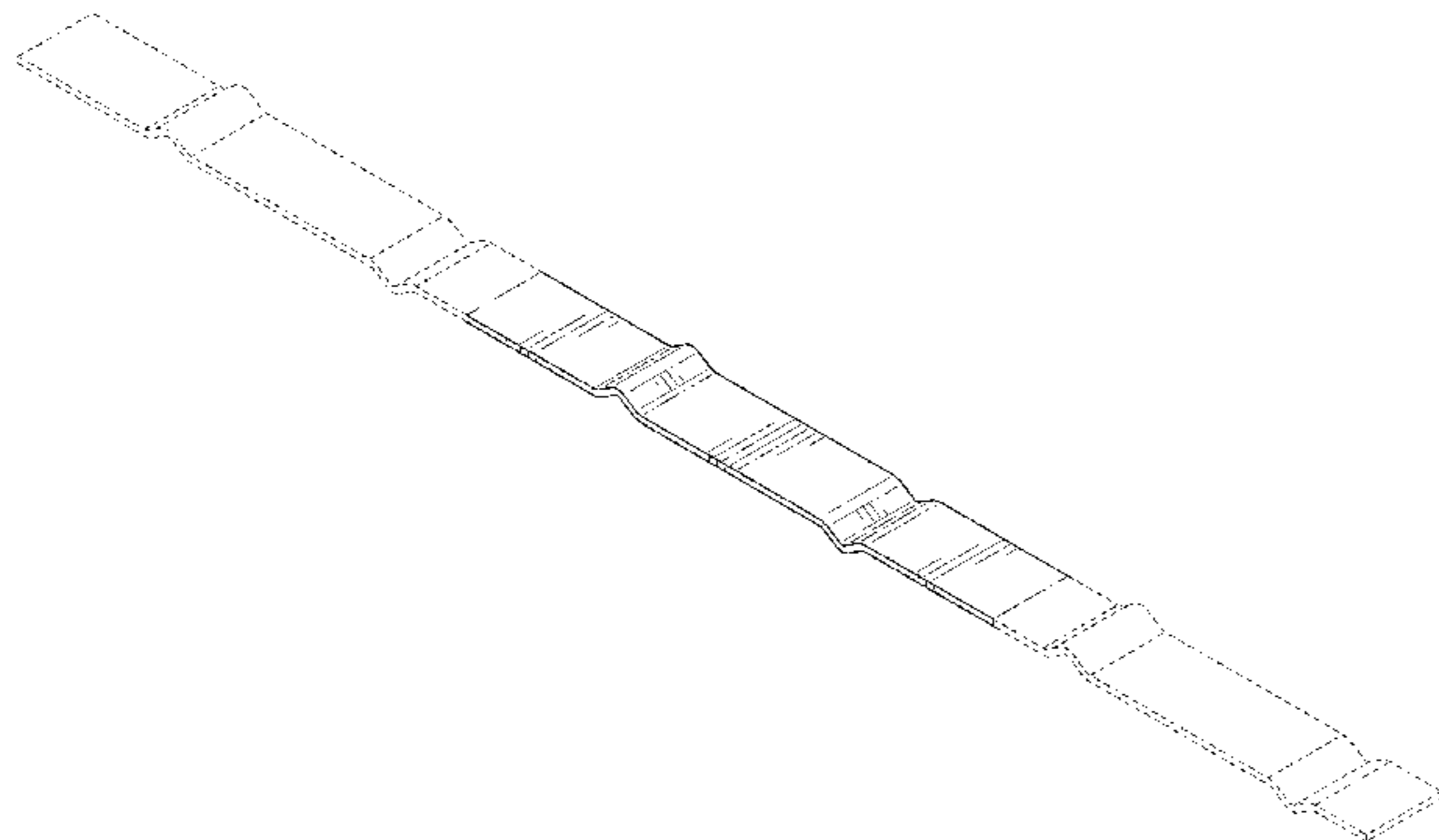
FIG. 22 is a rear elevation view thereof.

FIG. 23 is a left side elevation view thereof; and,

FIG. 24 is a right side elevation view thereof.

The dash-dot-dash lines are claim boundary lines and form
no part of the claimed design, and demark the boundary of
the claimed design. The dash-dash lines indicate portions

(Continued)



that form no part of the claimed design. No claim is made to portions that are not shown.

1 Claim, 15 Drawing Sheets

(58) **Field of Classification Search**

CPC A01G 9/28; A47H 1/122; B28B 23/005; B66C 1/666; E02D 29/0225; E02D 29/0233; E02D 29/0241; E02D 29/025; E02D 29/0266; E02D 29/02; E04B 1/4178; E04B 1/4185; E04C 5/012; E04C 5/03; E04F 13/04; E04F 13/06; E04F 13/068; E04F 13/0803; E04G 21/142

See application file for complete search history.

(56) **References Cited**

U.S. PATENT DOCUMENTS

4,710,062 A * 12/1987 Vidal E02D 29/0225
405/262
5,033,912 A * 7/1991 Vidal E02D 29/0241
405/262
5,169,266 A * 12/1992 Sala C23F 13/02
405/262
D417,389 S * 12/1999 Rhoads D8/389
D451,785 S * 12/2001 Chaney D8/354
D465,992 S * 11/2002 Sarig E04D 13/1656
D8/354
D495,567 S * 9/2004 Gontar B25D 3/00
D8/1
D540,657 S * 4/2007 Hansort D8/354
D554,957 S * 11/2007 Harvey D8/1
D593,852 S * 6/2009 Hoebeek D8/394

D599,630 S * 9/2009 Taylor D8/1
D620,622 S * 7/2010 Steel D25/164
D686,486 S * 7/2013 Densmore D8/349
8,789,805 B2 * 7/2014 Piggott F28F 9/002
248/560
D717,156 S * 11/2014 Kaihara D8/354
D841,833 S * 2/2019 Apanovich D25/199
D880,996 S * 4/2020 Cramer D8/384
10,889,994 B1 * 1/2021 Schneider E04F 15/02044
D910,422 S * 2/2021 Lee D8/354
D926,556 S * 8/2021 Claudin D8/354
11,519,151 B2 * 12/2022 Taylor E02D 29/0233
D1,000,644 S * 10/2023 Hu D25/164
2011/0004771 A1 2/2011 Freitag et al.
2013/0022403 A1 1/2013 Freitag et al.
2013/0136544 A1 5/2013 McKittrick
2021/0332549 A1 * 10/2021 Taylor E02D 29/0241
2022/0064895 A1 * 3/2022 Taylor B21D 53/00

OTHER PUBLICATIONS

“Verity Performance of Strip Reinforcements” Jun. 19, 2016, Ertesting, site visited Nov. 7, 2024: <https://www.ertesting.com/projects/mechanically-stabilized-earth/verify-performance-of-strip-reinforcements> (Year: 2016).*
“Mechanically Stabilized Earth Retaining Walls” Aug. 8, 2020, Reinforced Earth, site visited Oct. 24, 2024: <https://reinforcedearth.com/products/retaining-walls/mechanically-stabilized-earth-mse-retaining-walls/> (Year: 2020).*
“Numerical Study of the Behavior of Back-to-Back Mechanically Stabilized Earth Walls” Apr. 19, 2021, Semantic Scholar, site visited Nov. 7, 2024: <https://pdfs.semanticscholar.org/4f8c/2727c06ead48d197885bd31c707194a51978.pdf> (Year: 2021).*
PCT/US2021/049169, International Search Report and Written Opinion dated Dec. 1, 2021, 12 pages.

* cited by examiner

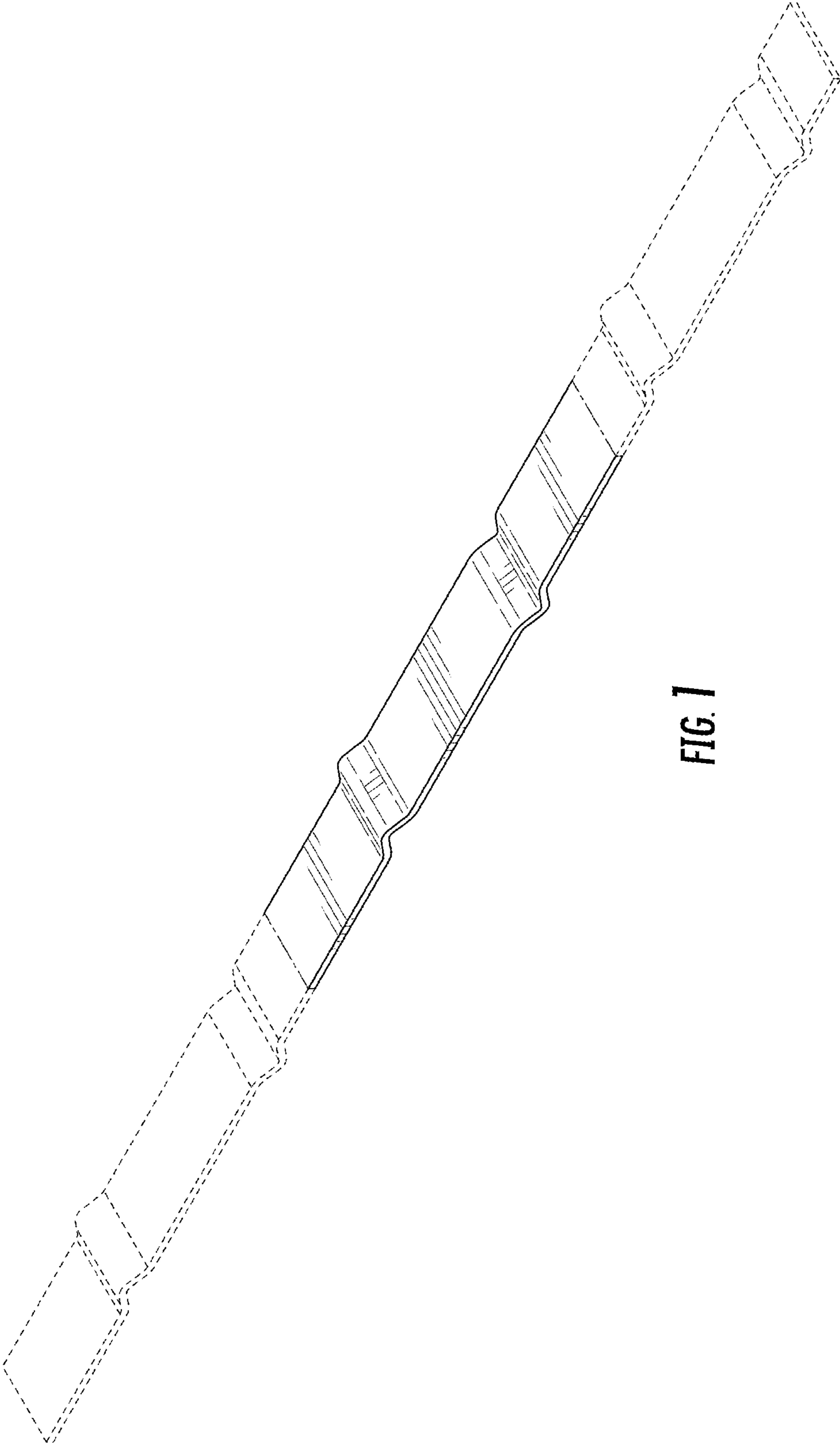


FIG. 1

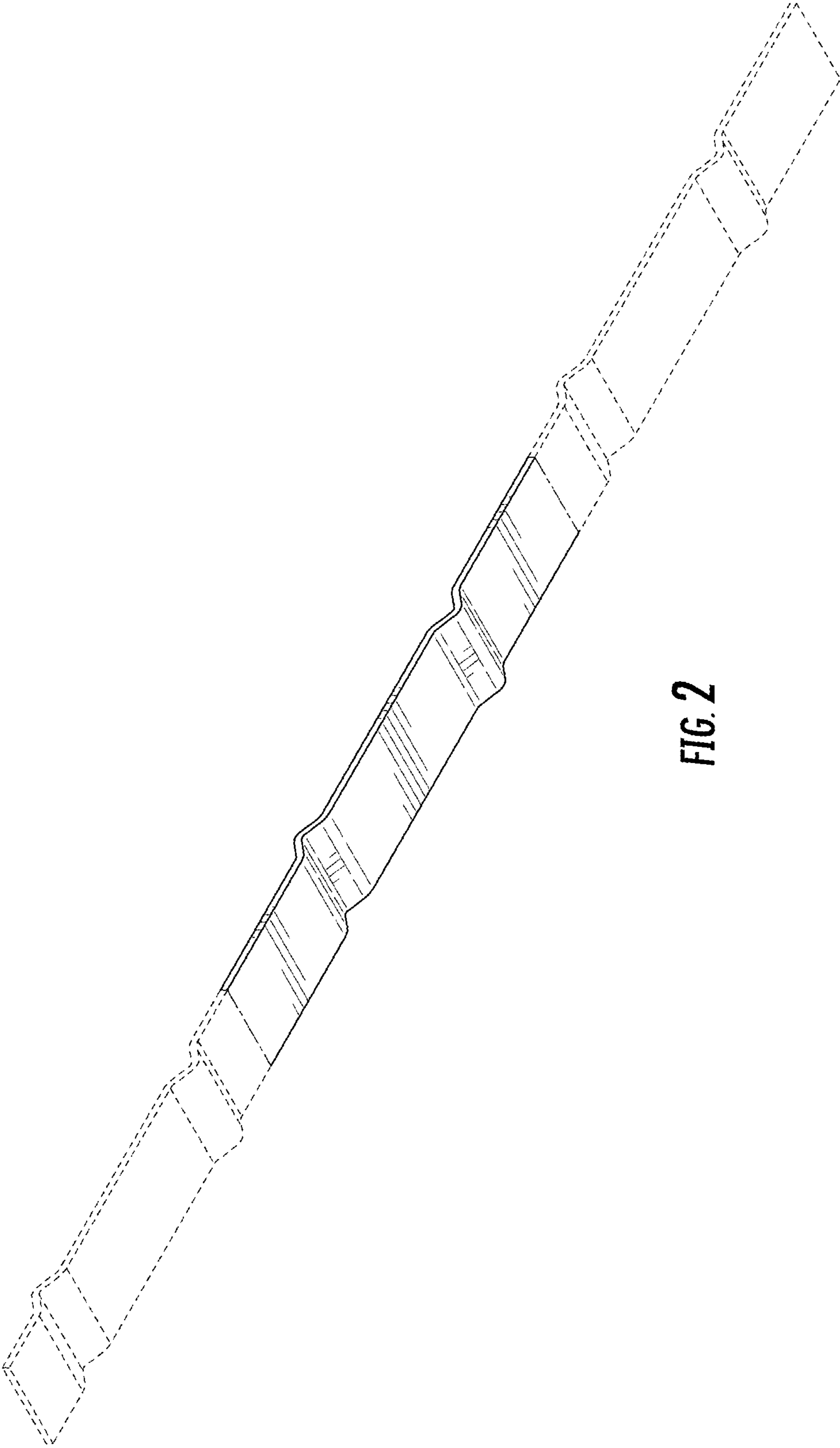


FIG. 2

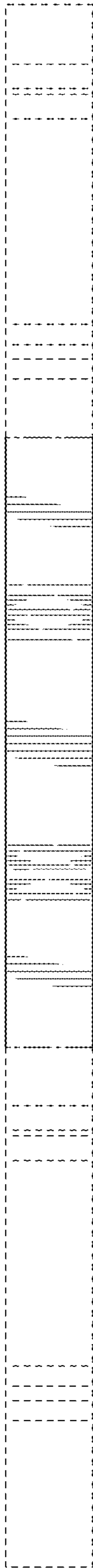


FIG. 3

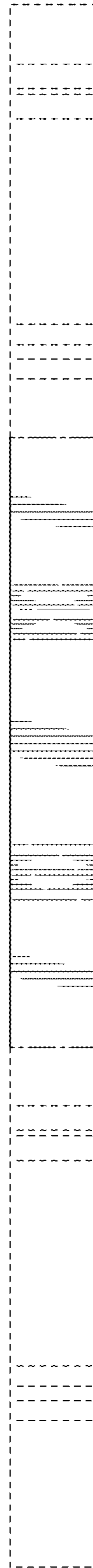


FIG. 4

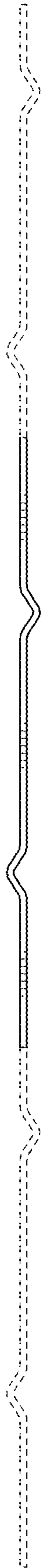


FIG. 5

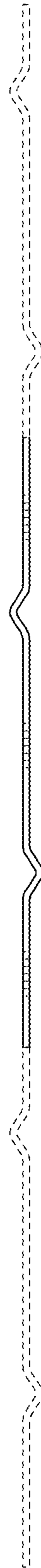


FIG. 6

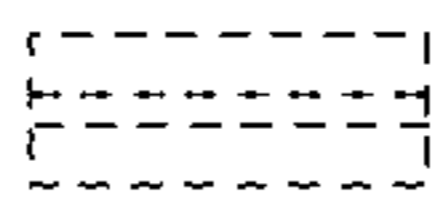


FIG. 7

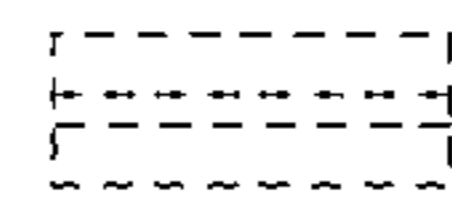


FIG. 8

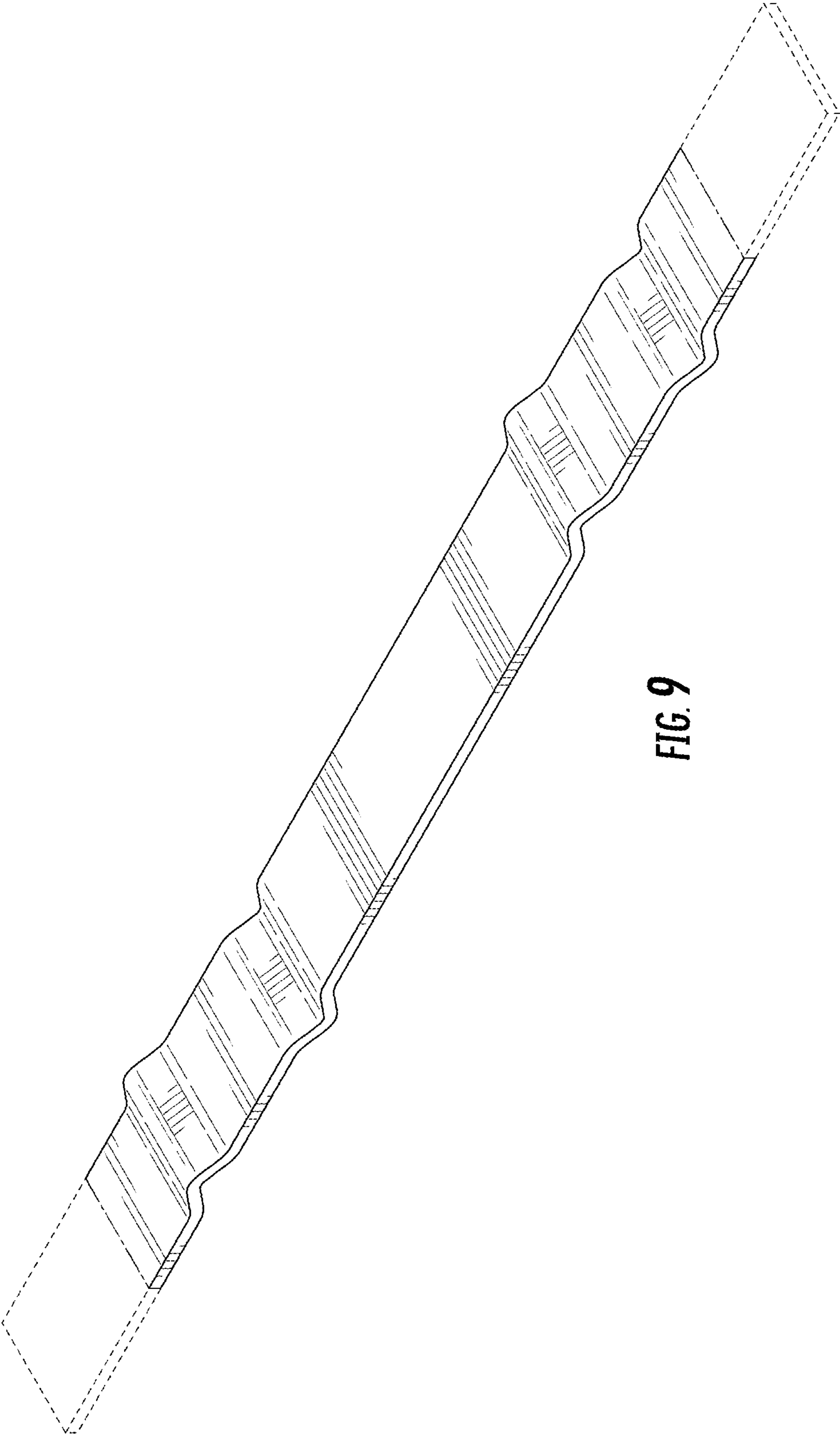


FIG. 9

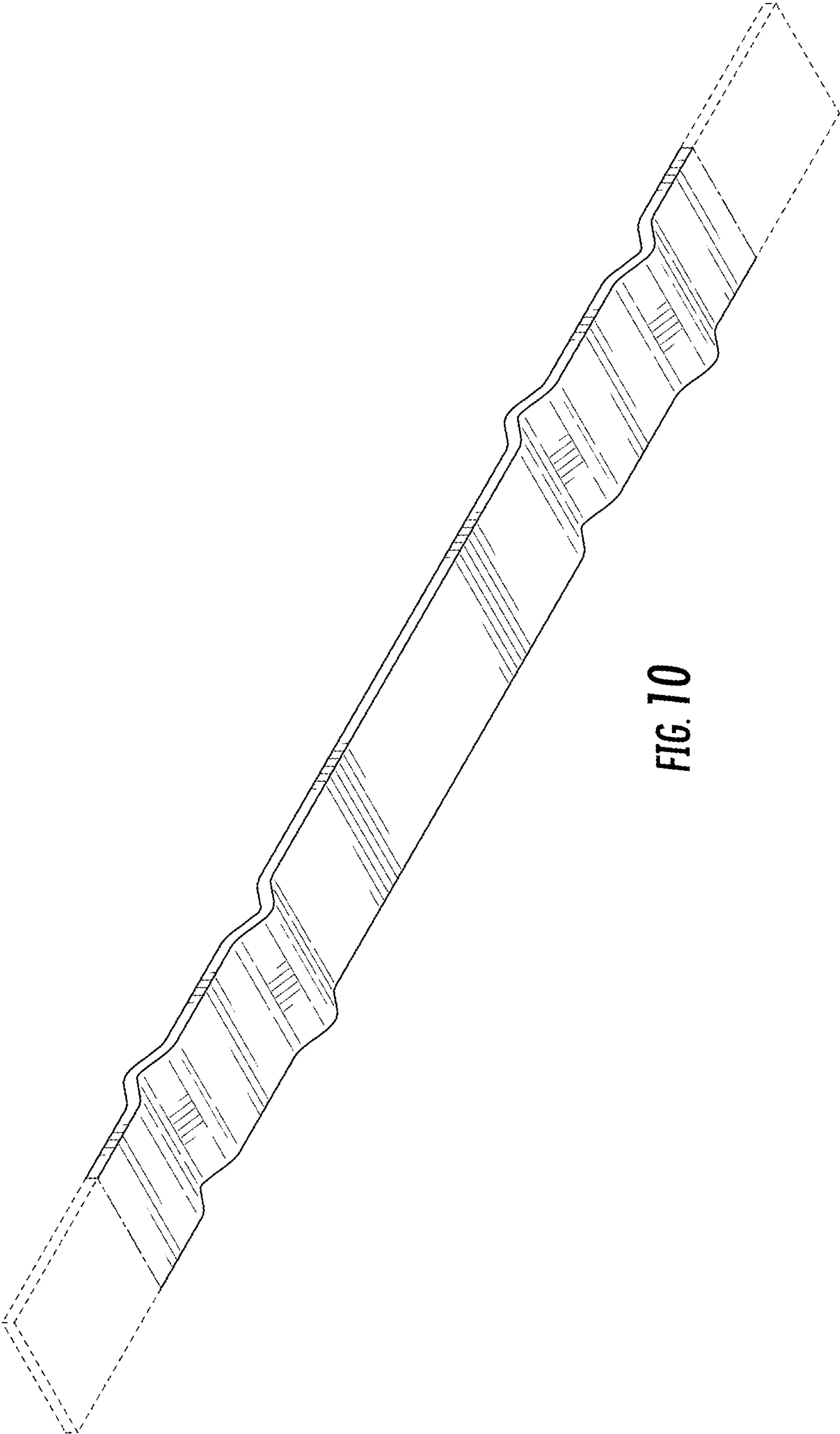


FIG. 10

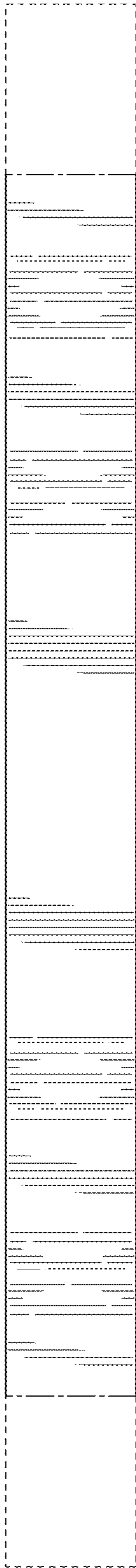


FIG. 11

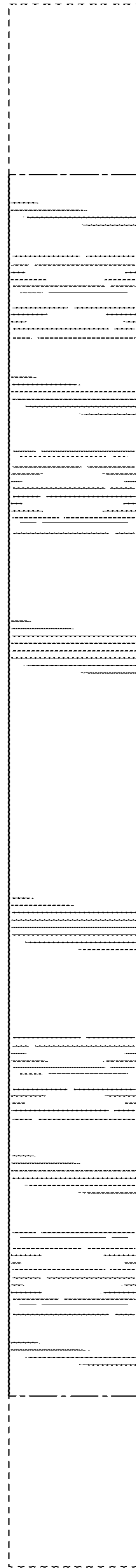


FIG. 12

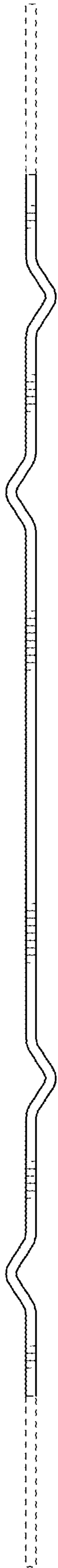


FIG. 13

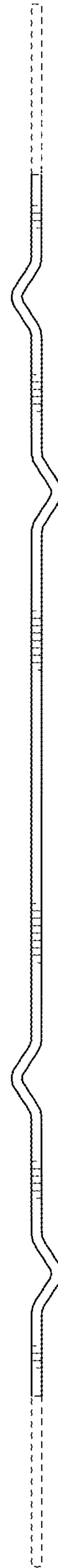


FIG. 14

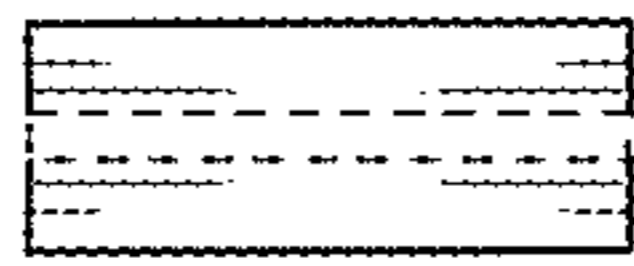


FIG. 15

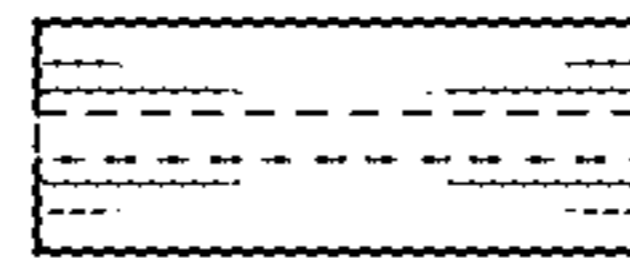


FIG. 16

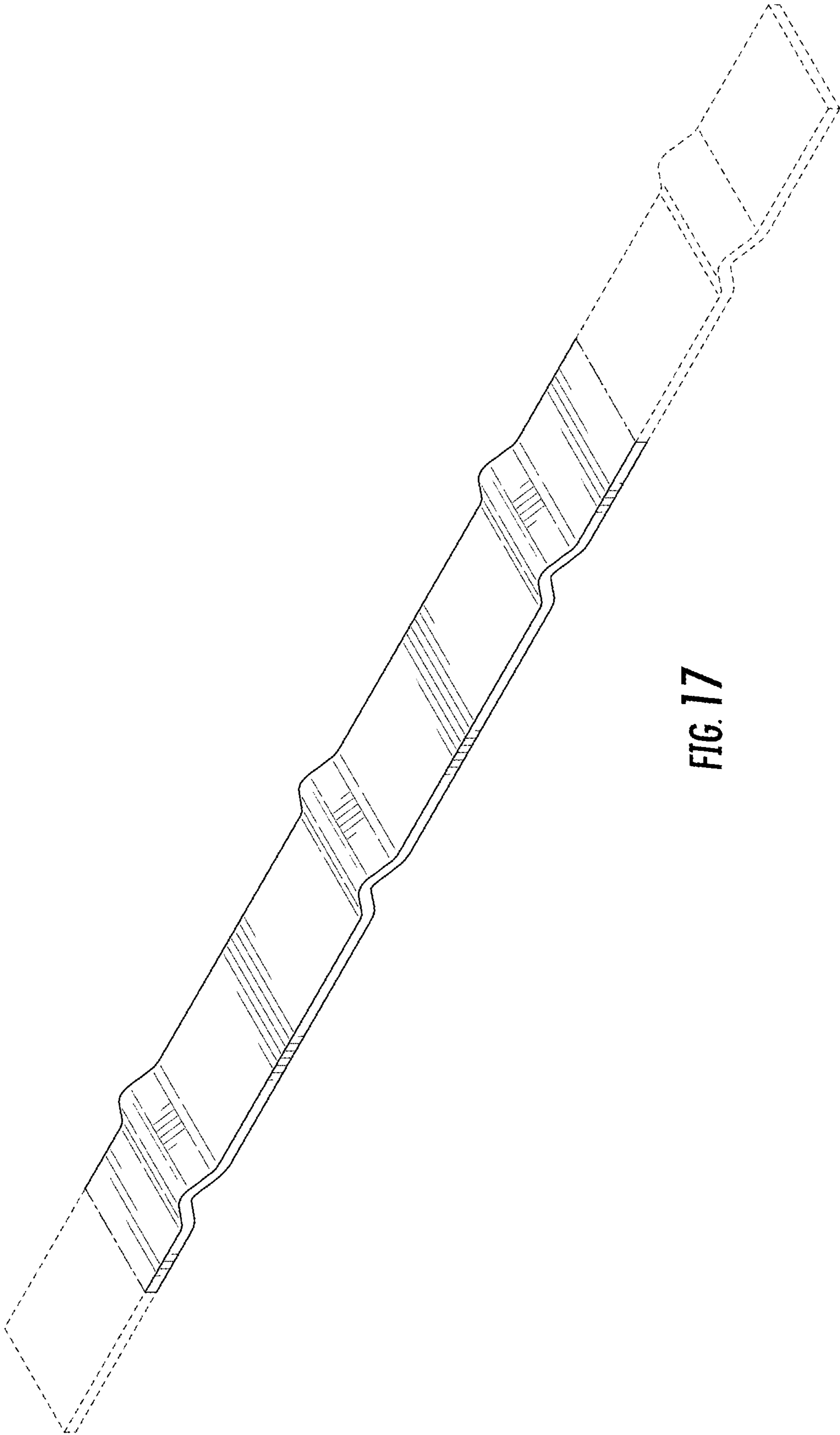


FIG. 17

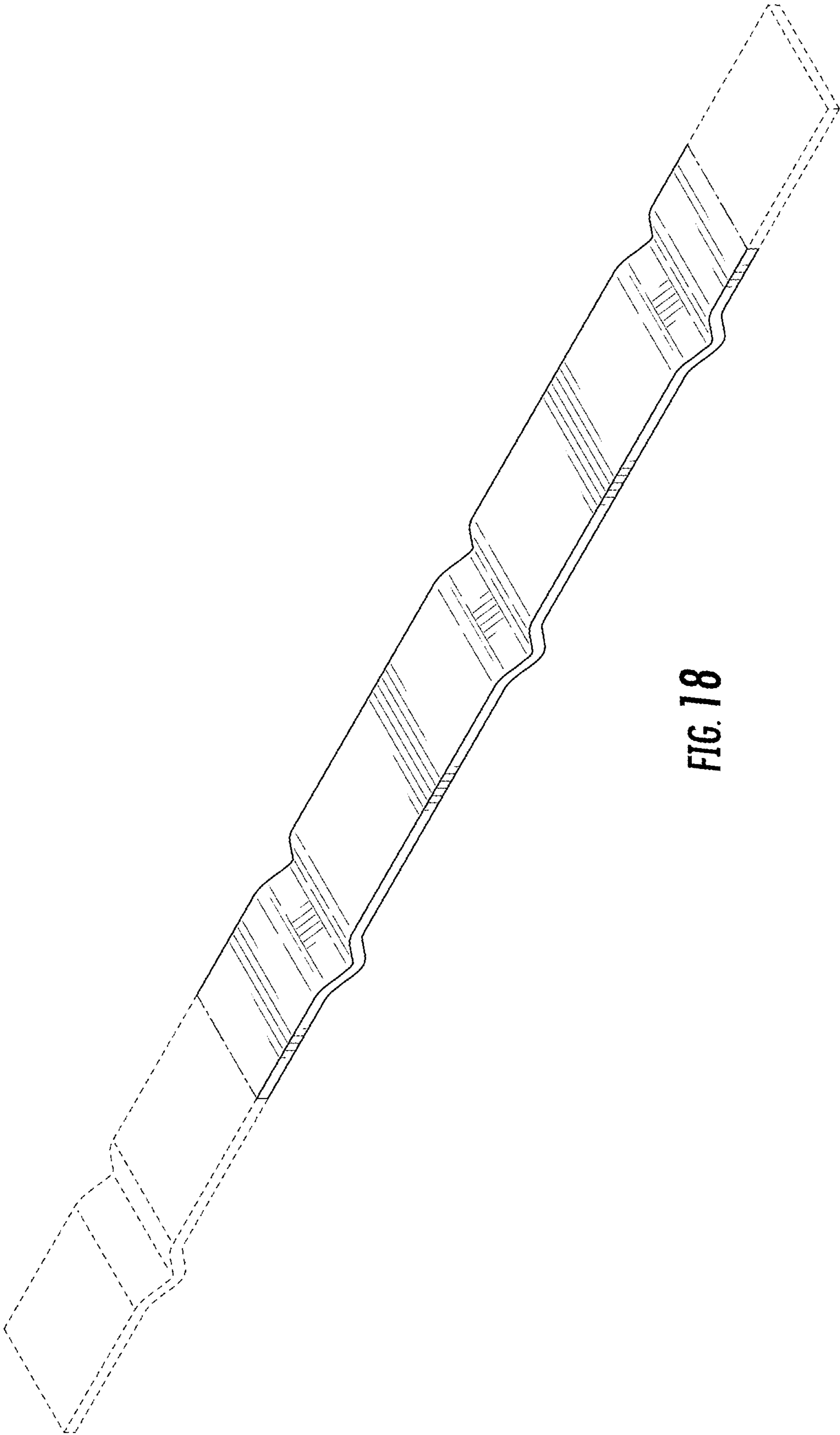


FIG. 18

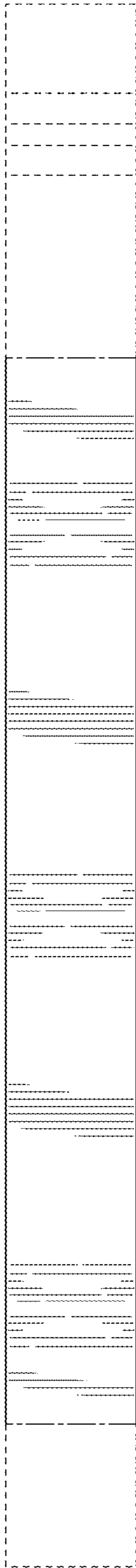


FIG. 19

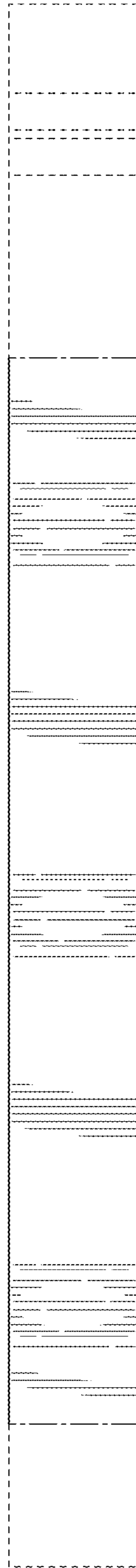


FIG. 20

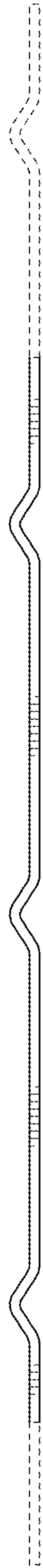


FIG. 21

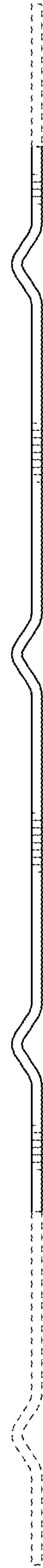


FIG. 22

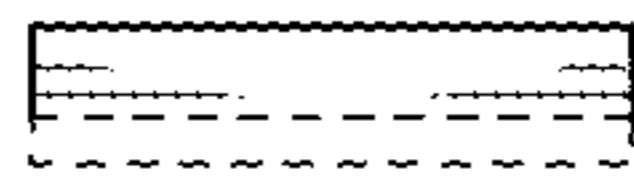


FIG. 23

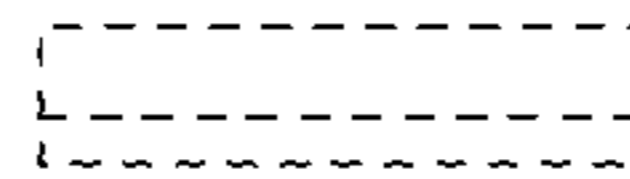


FIG. 24