



US0D1056217S

(12) **United States Design Patent** (10) **Patent No.:** **US D1,056,217 S**
Westover (45) **Date of Patent:** **** Dec. 31, 2024**

(54) **BODY FRAME**

(71) Applicant: **The Board of Regents of The University of Texas System, Austin, TX (US)**

(72) Inventor: **Kenneth Dale Westover, Southlake, TX (US)**

(73) Assignee: **The Board of Regents of The University of Texas System, Austin, TX (US)**

(**) Term: **15 Years**

(21) Appl. No.: **29/862,682**

(22) Filed: **Dec. 12, 2022**

(51) **LOC (14) Cl.** **24-02**

(52) **U.S. Cl.**
USPC **D24/183**

(58) **Field of Classification Search**
USPC D24/155, 183, 184, 188, 189, 190, 191, D24/192, 200, 206, 209; D29/113, 114, D29/120.1, 120.2; D2/610, 621, 627
CPC A61F 5/0118; A61F 5/013; A61F 5/048; A61F 5/3761; A61F 5/3723; A61F 5/373; A61F 5/3738; A61F 5/05866; A61G 1/04; A61G 2210/10; A61G 2210/50; A61G 7/103; A61H 2201/1623; A61H 2201/1626

See application file for complete search history.

(56) **References Cited**

U.S. PATENT DOCUMENTS

3,707,734 A * 1/1973 Matthews A61F 5/05883 5/628
4,312,912 A 1/1982 Tamura
D338,177 S * 8/1993 Kimball D12/128
D340,594 S * 10/1993 Lambert D24/190
5,281,232 A 1/1994 Hamilton et al.
D358,652 S * 5/1995 Pretzer D24/190
D362,071 S * 9/1995 Ruiz D24/190

5,681,326 A 10/1997 Lax
D403,423 S * 12/1998 Bologovsky D24/190
D403,425 S * 12/1998 Taylor D24/190
D464,433 S * 10/2002 Kiefer D24/190
D712,049 S * 8/2014 Rauch D24/190

(Continued)

FOREIGN PATENT DOCUMENTS

GB 2066817 * 10/1997
WO 2006087263 A1 8/2006

OTHER PUBLICATIONS

“Research Gate: Radiobiology of SBRT.” Found online Mar. 15, 2024 at researchgate.net. Reference dated Aug. 2015. Retrieved from https://www.researchgate.net/figure/Stereotactic-body-frame-Elekta-Patient-setup-using-diaphragm-control-in-SBRT_fig17_299974488.*

(Continued)

Primary Examiner — Kendra Leslie Hamilton
Assistant Examiner — Elizabeth S Struble
(74) *Attorney, Agent, or Firm* — Polsinelli PC

(57) **CLAIM**

The ornamental design for a body frame as shown and described.

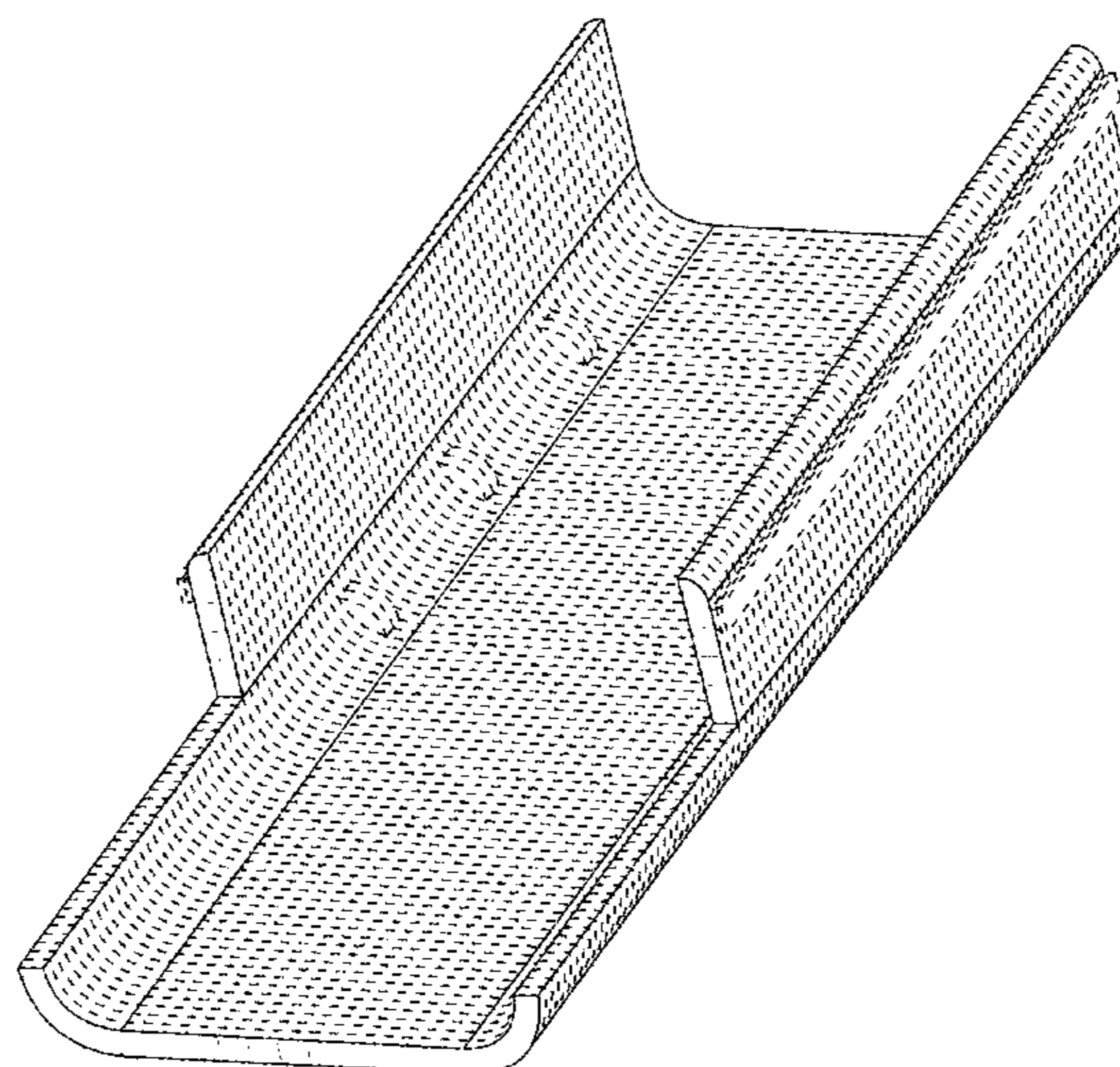
DESCRIPTION

FIG. 1 is a top, right, front perspective view of a body frame showing our new design.

FIG. 2 is a front view thereof;
FIG. 3 is a rear view thereof;
FIG. 4 is a right side view thereof;
FIG. 5 is a left side view thereof;
FIG. 6 is a top side view thereof; and,
FIG. 7 is a bottom side view thereof.

The broken lines shown in the Figures show elements of the body frame that form no part of the claimed design. The shade lines in the Figures show contour and do not claim surface ornamentation or treatment.

1 Claim, 7 Drawing Sheets



(56)

References Cited

U.S. PATENT DOCUMENTS

D774,653 S * 12/2016 Christmas D12/128
 D808,536 S * 1/2018 Bright D24/190
 D1,009,272 S * 12/2023 Marten D24/190
 2006/0288483 A1 12/2006 Naslund et al.
 2008/0250565 A1 10/2008 Timmerman et al.
 2012/0167898 A1 7/2012 Buchsbaum et al.
 2020/0023537 A1 1/2020 Fetfatsidis et al.
 2024/0016648 A1* 1/2024 Arsiwala A61F 5/05816

OTHER PUBLICATIONS

“ScienceDirect: Localization Accuracy and Immobilization Effectiveness of a Stereotactic Body Frame for a Variety of Treatment Sites.” Found online Mar. 28, 2024 at sciencedirect.com. Reference dated Dec. 1, 2013. Retrieved from <https://www.sciencedirect.com/science/article/pii/S0360301613031076>.*

“ScienceDirect: The impact of technology on the changing practice of lung SBRT.” Found online Mar. 15, 2024 at sciencedirect.com. Reference dated Mar. 2018. Retrieved from <https://www.sciencedirect.com/science/article/pii/S1120179717306592>.*

“Medical News Today: All about radiation therapy for lung cancer.” Found online Mar. 15, 2024 at medicalnewstoday.com. Reference dated Mar. 27, 2023. Retrieved from <https://www.medicalnewstoday.com/articles/radiation-for-lung-cancer>.*

Leksell, L., The stereotactic method and radiosurgery of the brain. *Acta chir scand*, 1951. 102: p. 316-319.

Rusthoven, K.E., et al., Multi-Institutional Phase I/II Trial of Stereotactic Body Radiation Therapy for Lung Metastases. *Journal of Clinical Oncology*, 2009. 27(10): p. 1579-1584.

Baumann, P., et al., Outcome in a Prospective Phase II Trial of Medically Inoperable Stage I Non-Small-Cell Lung Cancer Patients

Treated With Stereotactic Body Radiotherapy. *Journal of Clinical Oncology*, 2009. 27(20): p. 3290-3296.

Herman, J.M., et al., Phase 2 Multi-institutional Trial Evaluating Gemcitabine and Stereotactic Body Radiotherapy for Patients With Locally Advanced Unresectable Pancreatic Adenocarcinoma. *Cancer*, 2015. 121(7): p. 1128-1137.

Cirvide, R., et al., -5-year results of accelerated partial breast irradiation (APBI) with SBRT (stereotactic body radiation therapy) and exactrac adaptive gating (Novalis(R)) for very early breast cancer patients: was it all worth it? *Clinical & Translational Oncology*, 2021. 23(11): p. 2358-2367.

Ponsky, L., et al., Phase I dose-escalation study of stereotactic body radiotherapy (SBRT) for poor surgical candidates with localized renal cell carcinoma. *Radiotherapy and Oncology*, 2015. 117(1): p. 183-187.

King, C.R., et al., Stereotactic body radiotherapy for localized prostate cancer: Pooled analysis from a multi-institutional consortium of prospective phase II trials. *Radiotherapy and Oncology*, 2013. 109(2): p. 217-221.

Heron, D.E., et al., Stereotactic Body Radiotherapy for Recurrent Squamous Cell Carcinoma of the Head and Neck: Results of a Phase I Dose-Escalation Trial. *International Journal of Radiation Oncology Biology Physics*, 2009. 75(5): p. 1493-1500.

McBride, S., et al., Randomized Phase II Trial of Nivolumab With Stereotactic Body Radiotherapy Versus Nivolumab Alone in Metastatic Head and Neck Squamous Cell Carcinoma. *Journal of Clinical Oncology*, 2021. 39(1): p. 30-+.

Bujold, A., et al., Sequential Phase I and II Trials of Stereotactic Body Radiotherapy for Locally Advanced Hepatocellular Carcinoma. *Journal of Clinical Oncology*, 2013. 31(13): p. 1631-+.

Tree, A.C., et al., Stereotactic body radiotherapy for oligometastases. *Lancet Oncology*, 2013. 14(1): p. E28-E37.

Murray, B., K. Forster, and R. Timmerman, Frame-Based Immobilization and Targeting for Stereotactic Body Radiation Therapy. *Medical Dosimetry*, 2007. 32(2): p. 86-91.

* cited by examiner

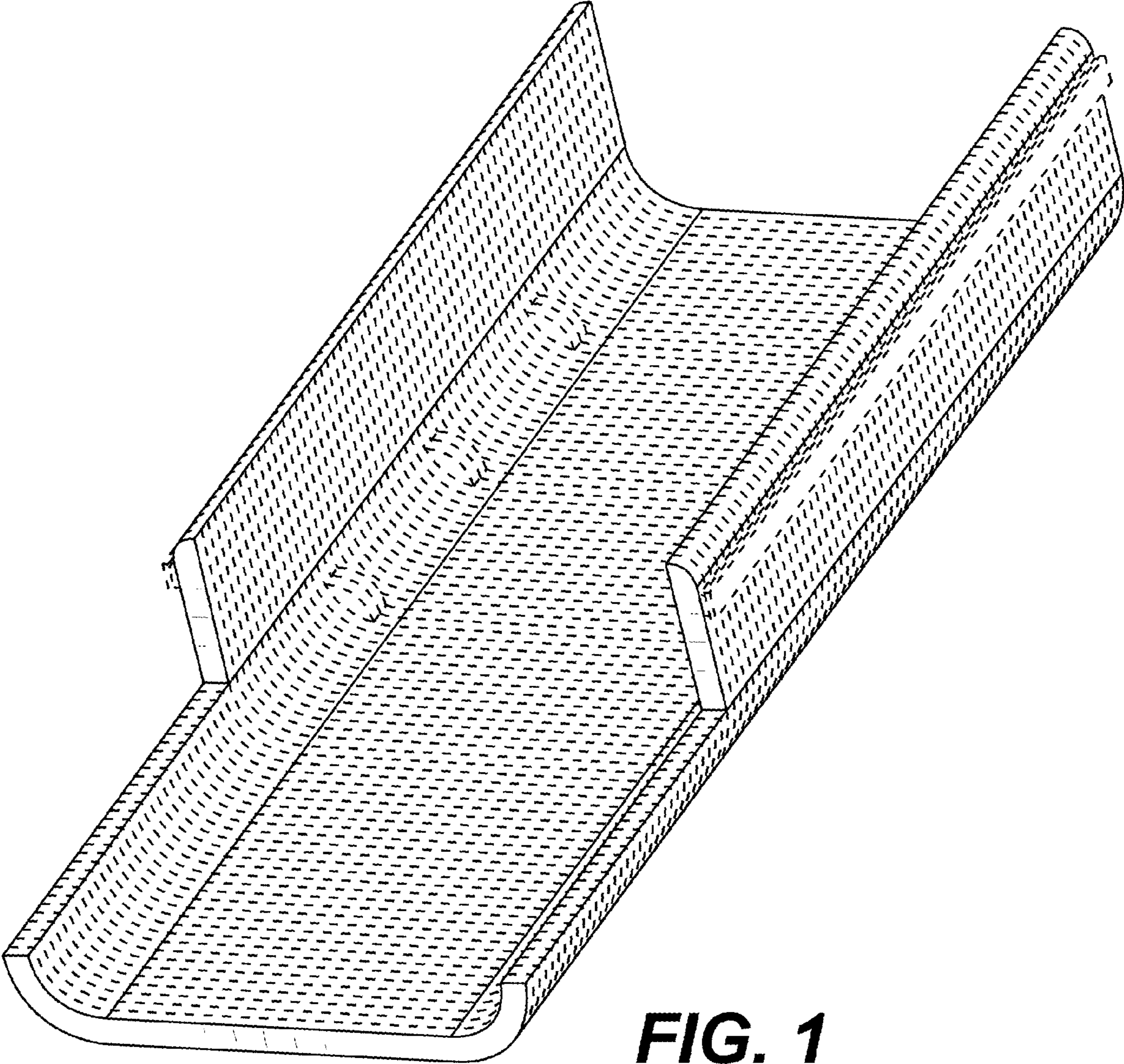


FIG. 1

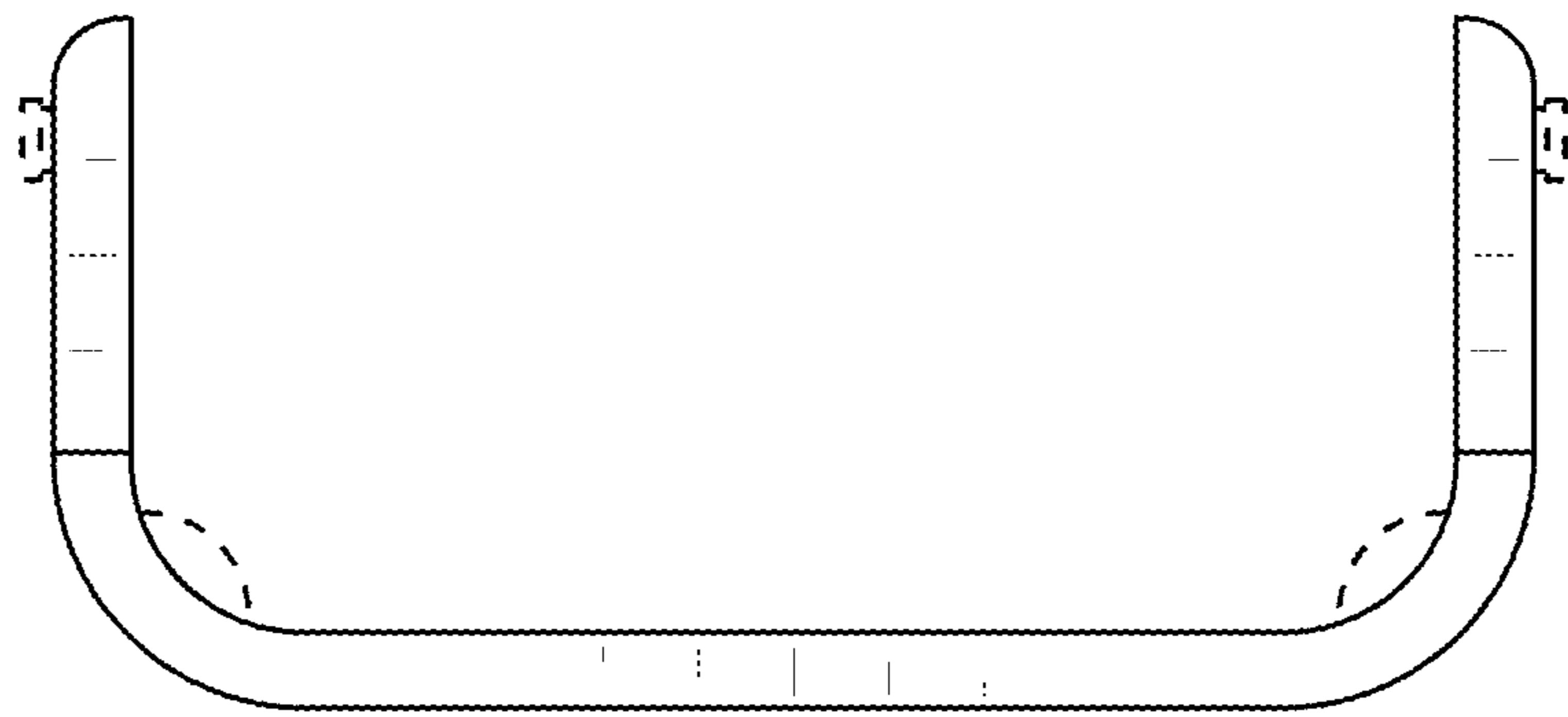


FIG. 2

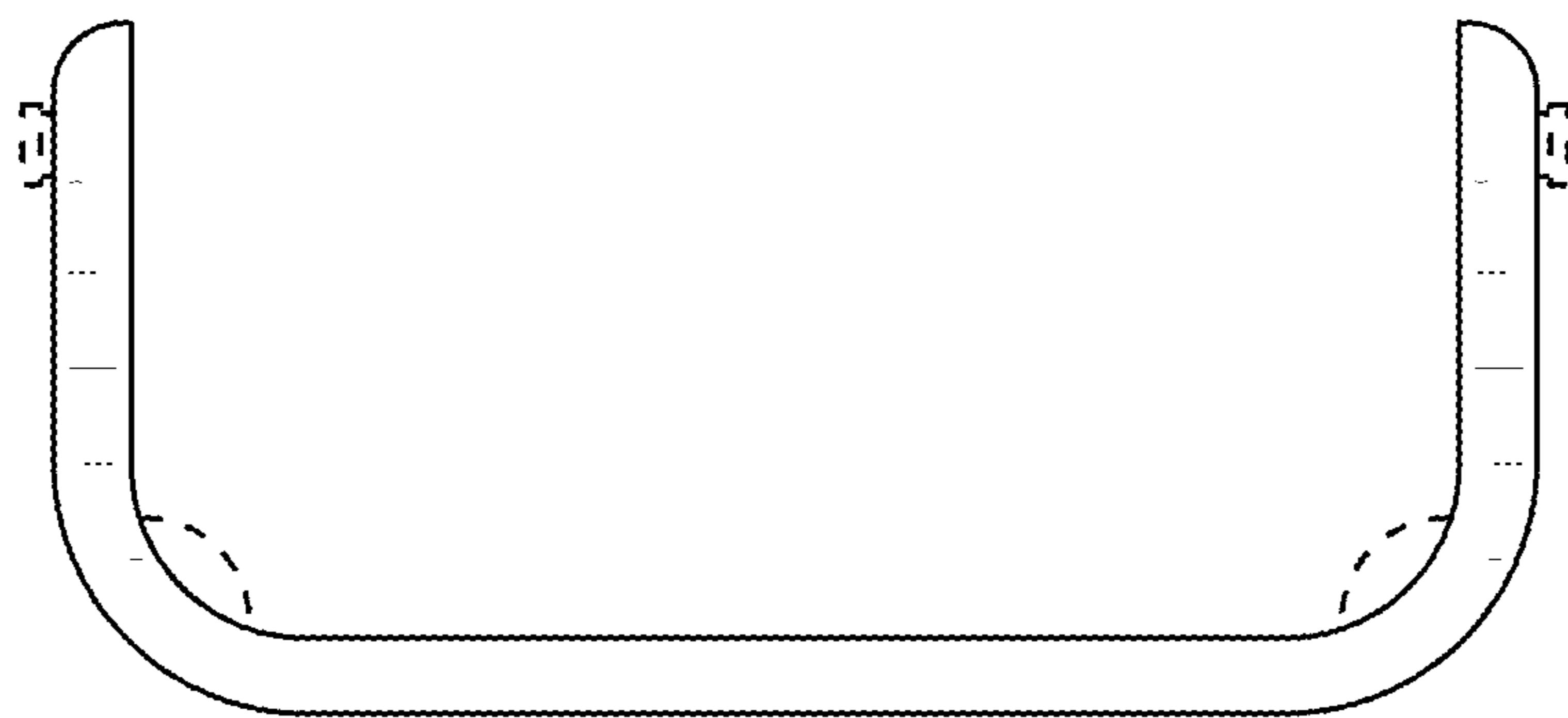


FIG. 3

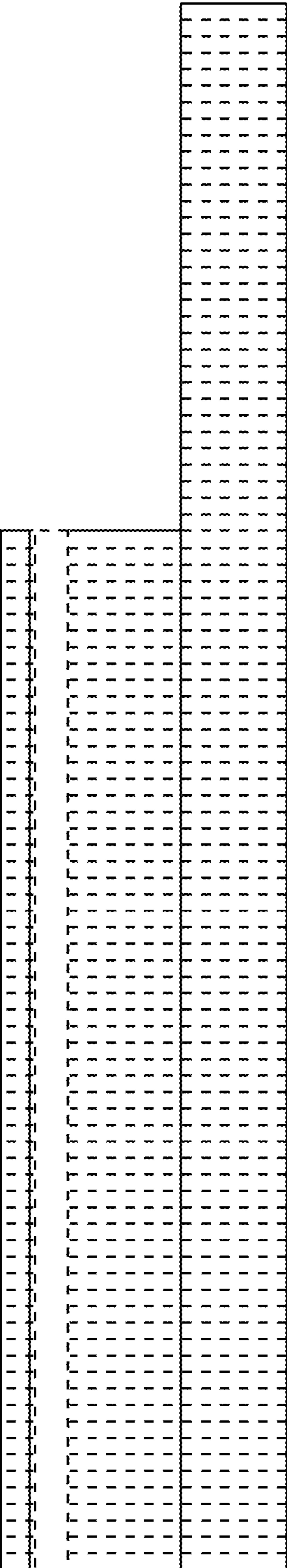


FIG. 4

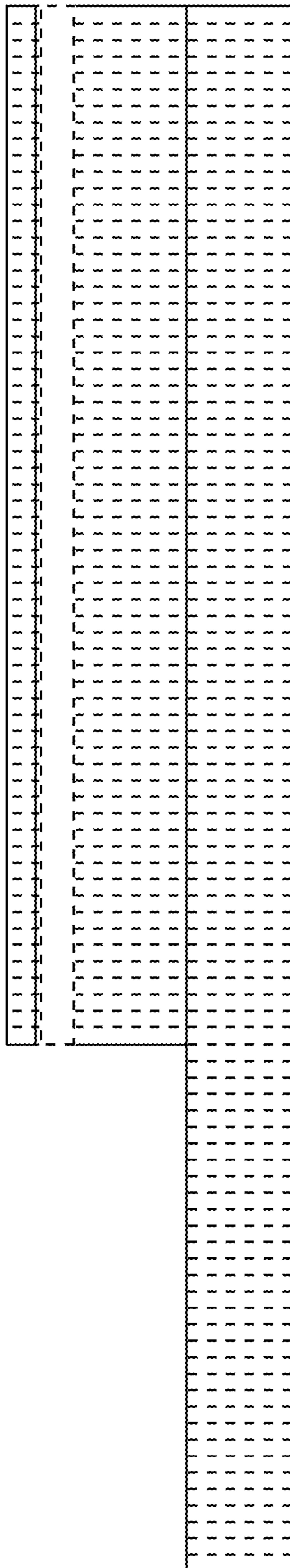


FIG. 5

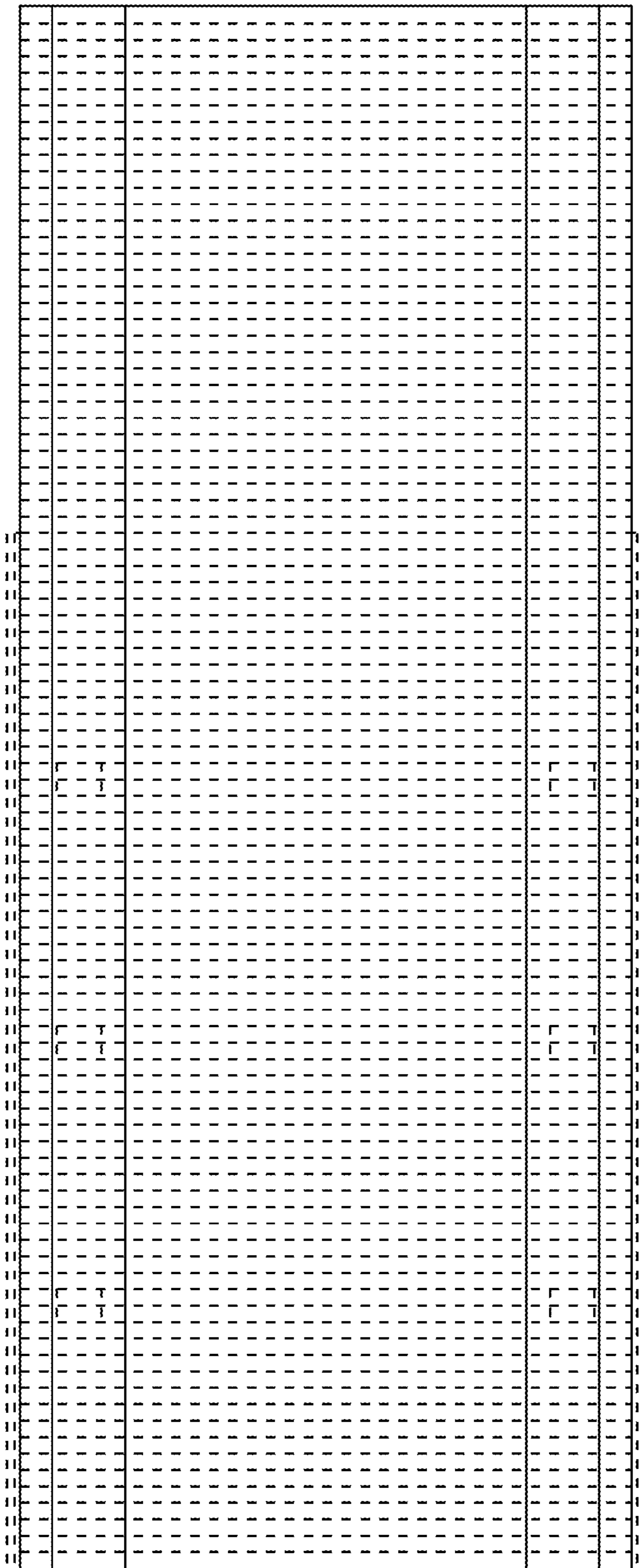


FIG. 6

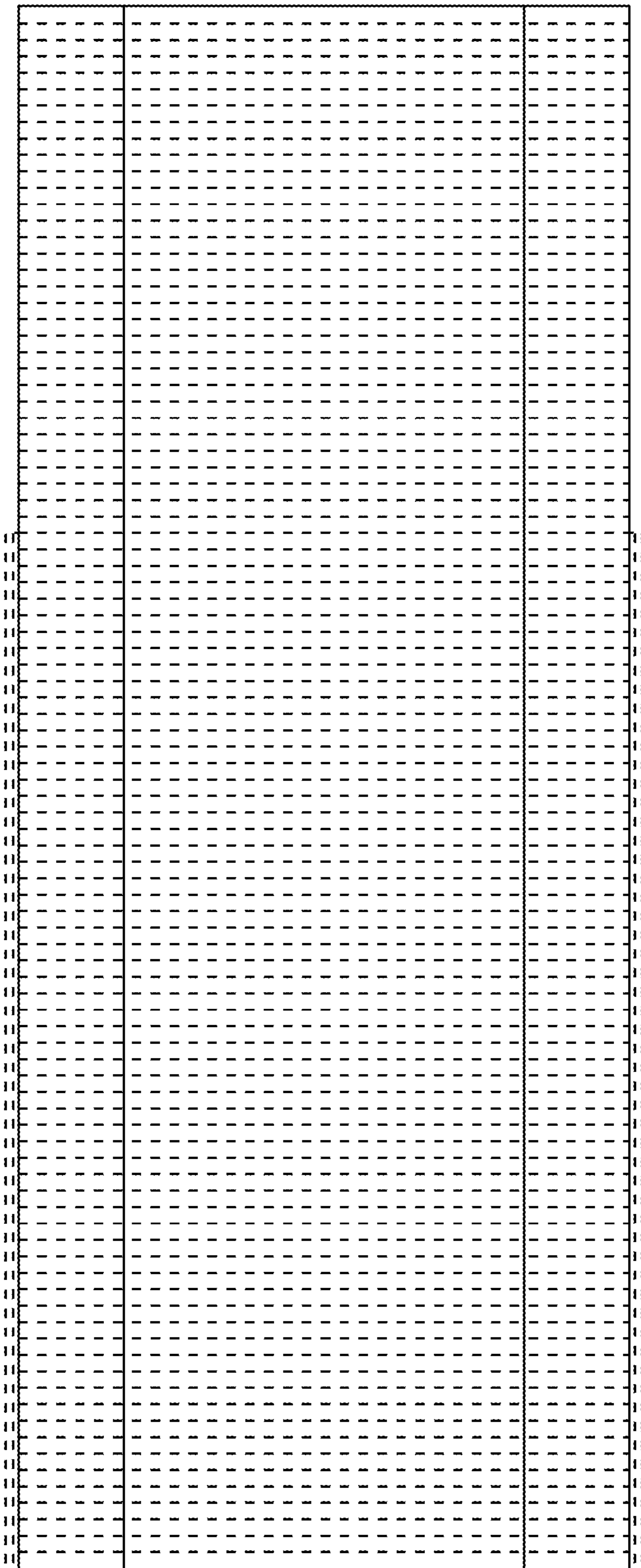


FIG. 7