



US0D1056075S

(12) **United States Design Patent** (10) **Patent No.:** **US D1,056,075 S**
Collins et al. (45) **Date of Patent:** **** Dec. 31, 2024**

(54) **MODEL VEHICLE TRAILER BODY**
(71) Applicant: **TRAXXAS, L.P.**, McKinney, TX (US)
(72) Inventors: **Trent Collins**, McKinney, TX (US);
Otto Karl Allmendinger, Rowlett, TX (US); **Kent Poteet**, Lucas, TX (US);
Adam Cole Ewing, McKinney, TX (US)

D779,380 S 2/2017 van den Berg
D864,032 S 10/2019 Bernard
D936,520 S 11/2021 Wydner
(Continued)

FOREIGN PATENT DOCUMENTS

EM 015013355-0032 * 3/2023
GB 6265742 * 3/2023

OTHER PUBLICATIONS

Traxxas Trx4m Trailer Review and field test, Adventure Time Rc, as shown in www.youtube.com, Nov. 7, 2022. (Year: 2022).*
(Continued)

(73) Assignee: **TRAXXAS, L.P.**, McKinney, TX (US)
(**) Term: **15 Years**

(21) Appl. No.: **29/852,576**

(22) Filed: **Sep. 8, 2022**

(51) **LOC (14) Cl.** **12-10**

(52) **U.S. Cl.**
USPC **D12/101; D21/561; D21/562**

(58) **Field of Classification Search**
USPC D21/425, 433, 533, 548, 552, 559, 561,
D21/581; D12/101, 106
CPC .. B62D 63/061; B62D 35/001; B62D 63/062;
B62D 63/06
See application file for complete search history.

(56) **References Cited**

U.S. PATENT DOCUMENTS

D249,138 S 8/1978 Butler
4,126,324 A * 11/1978 Browning B62D 63/061
296/10
4,480,851 A * 11/1984 St-Pierre B62D 63/061
180/209
D325,549 S 4/1992 Jarvis
D373,748 S 9/1996 Fuller et al.
D515,464 S 2/2006 DeShong
7,651,117 B1 * 1/2010 McGee B62D 63/062
280/639
D695,647 S * 12/2013 Manley D12/101
D760,122 S 6/2016 Guidry

Primary Examiner — Gino Colan
Assistant Examiner — Gregory G Mclemore
(74) *Attorney, Agent, or Firm* — Daryl R. Wright; Greg Carr

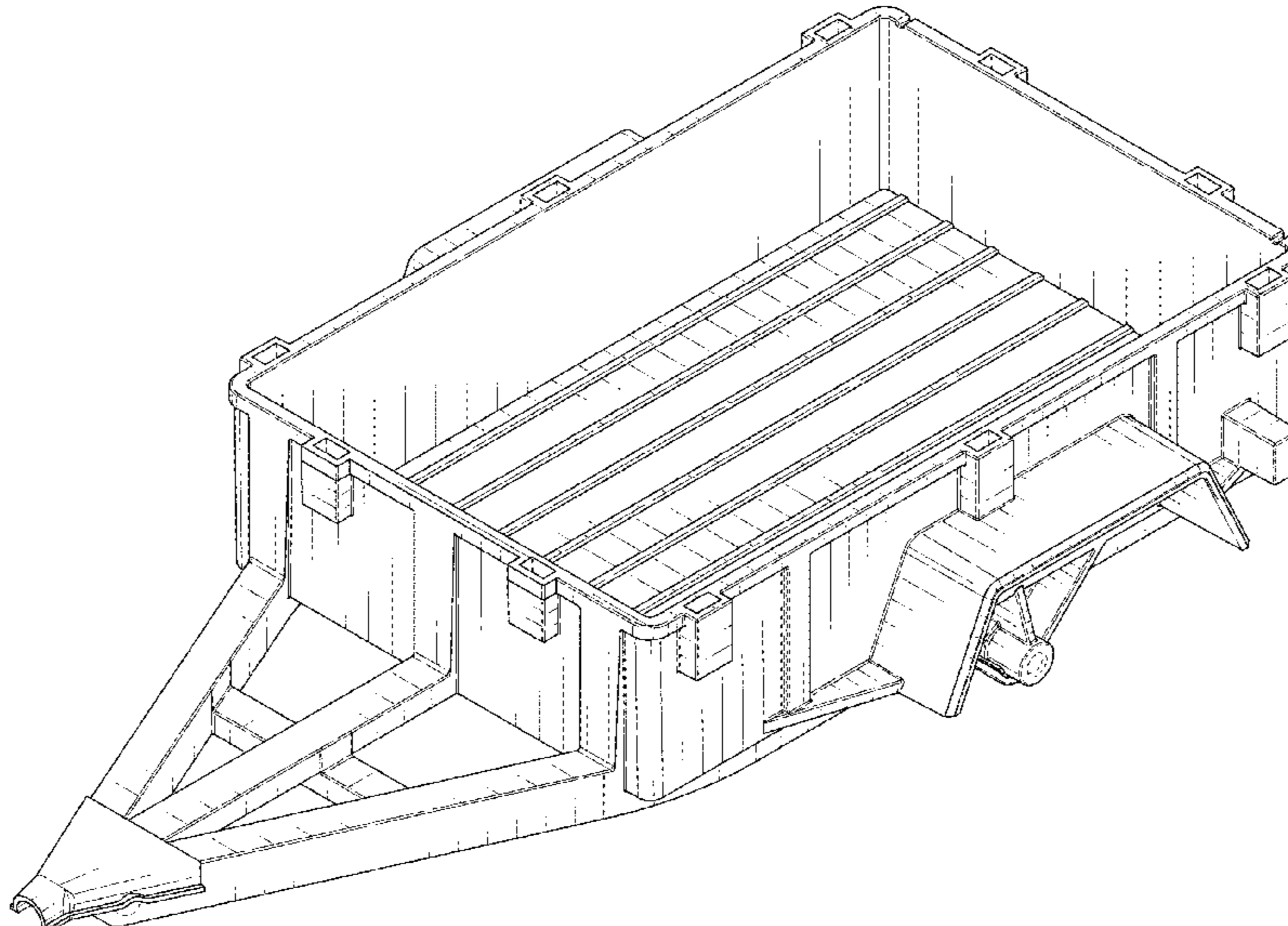
(57) **CLAIM**

The ornamental design for a model vehicle trailer body as shown and described.

DESCRIPTION

FIG. 1 is an upper, left, front perspective view of a model vehicle trailer body showing our new design;
FIG. 2 is a front elevation view thereof;
FIG. 3 is a rear elevation view thereof;
FIG. 4 is a right side elevation view thereof;
FIG. 5 is a left side elevation view thereof;
FIG. 6 is an upper plan view thereof;
FIG. 7 is a lower plan view thereof;
FIG. 8 is an upper, right, rear perspective view thereof;
FIG. 9 is a lower, right, rear perspective view thereof; and,
FIG. 10 is a lower, left, front perspective view of the model vehicle trailer body.
In the drawings, the broken lines illustrate portions of the model vehicle trailer body that form no part of the claimed design.

1 Claim, 8 Drawing Sheets



(56)

References Cited

U.S. PATENT DOCUMENTS

D1,040,253 S * 8/2024 Ewing D21/561
D1,040,699 S * 9/2024 Collins D12/101
12,110,073 B2 * 10/2024 Sinclair, III B62D 63/062
2007/0045993 A1 * 3/2007 Jager B62D 33/0273
280/656
2007/0210614 A1 * 9/2007 Chandler B62D 33/033
296/182.1
2012/0196505 A1 8/2012 Schneider et al.

OTHER PUBLICATIONS

Meus Racing CNC Aluminum Utility Trailer stows Car with Hitch for TRX-4M TRX4M 1/18 RC Crawler Car, amazon.com, post Published: Unavailable. Retrieved Feb. 16, 2024. Available online at URL: https://www.amazon.com/MEUS-RACING-Aluminum-Utility-Titanium/dp/B0C49CWHWY/ref=sr_1_18_sspa?dib=eyJ21 (Year: 2024).

Yitamotor 500 Pound Steel Dump Cart Tow Behind Lawn Dump Cart for Lawn Tractor Black, amazon.com, post Published Oct. 23, 2023. Retrieved Feb. 16, 2024. Available online at URL: https://www.amazon.com/YITAMOTOR-Pound-Steel-Behind-Tractor/dp/B0CLLF68W3/ref=sr_1_20_sspa?crid=1067ORCM3G6OV&dib (Year: 2023).

C. Langenfeld, et al.; U.S. Pat. No. D. 1,008,101 S; Trailer for Autonomous Delivery; Dec. 19, 2023.

* cited by examiner

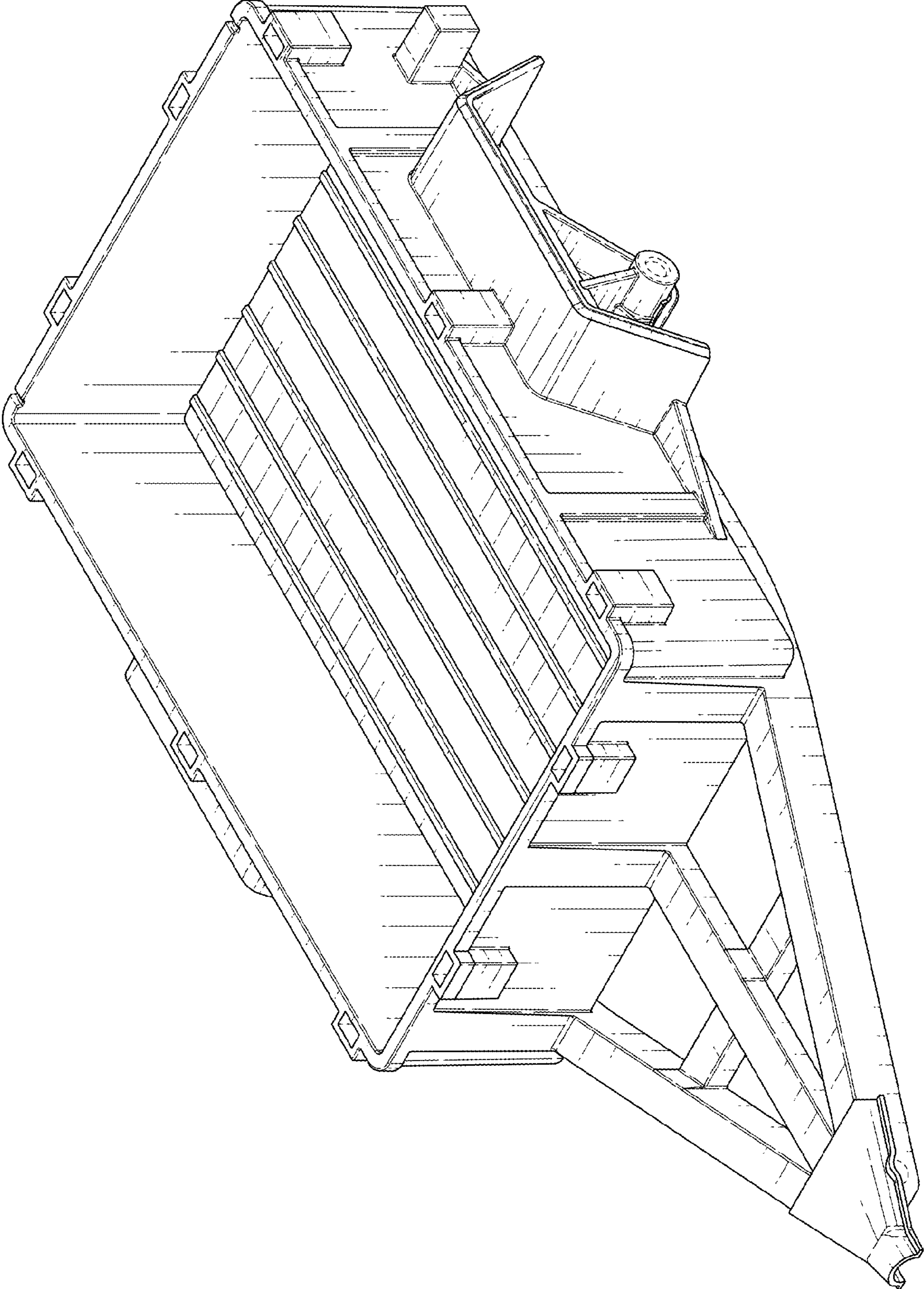


FIG. 1

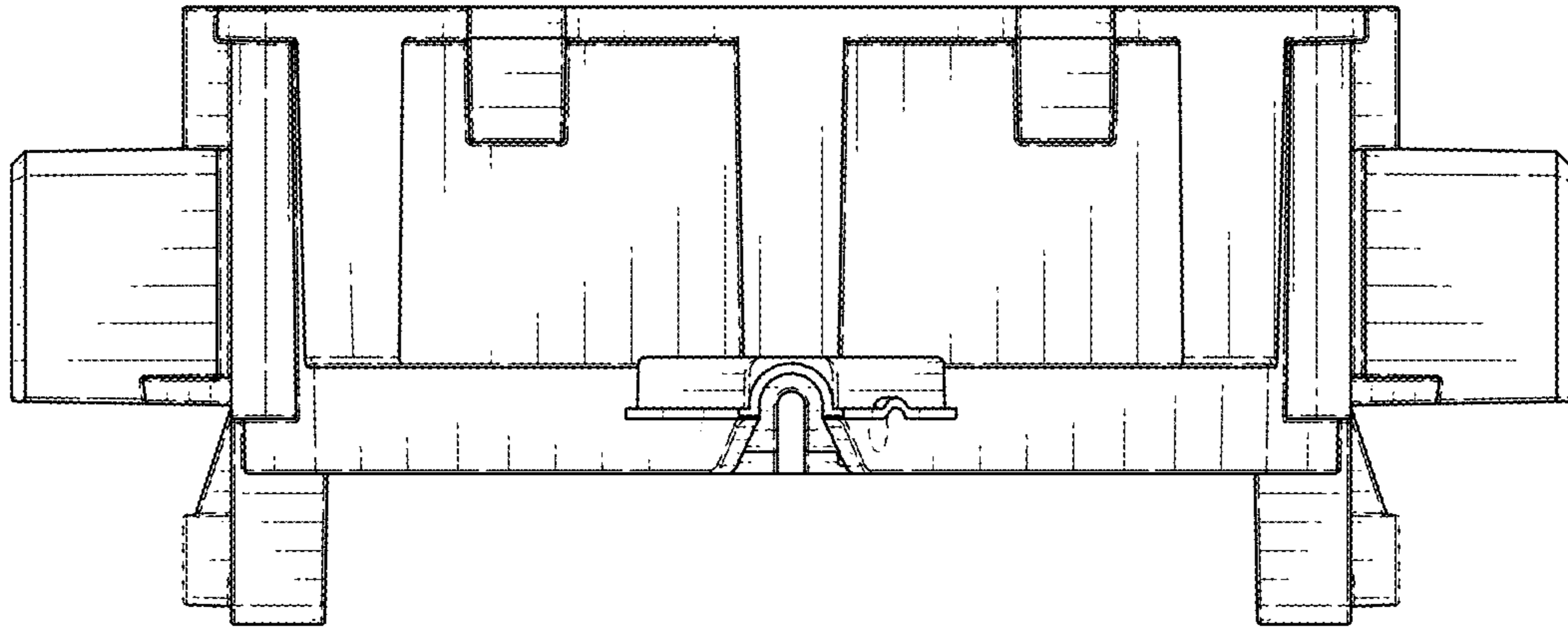


FIG. 2

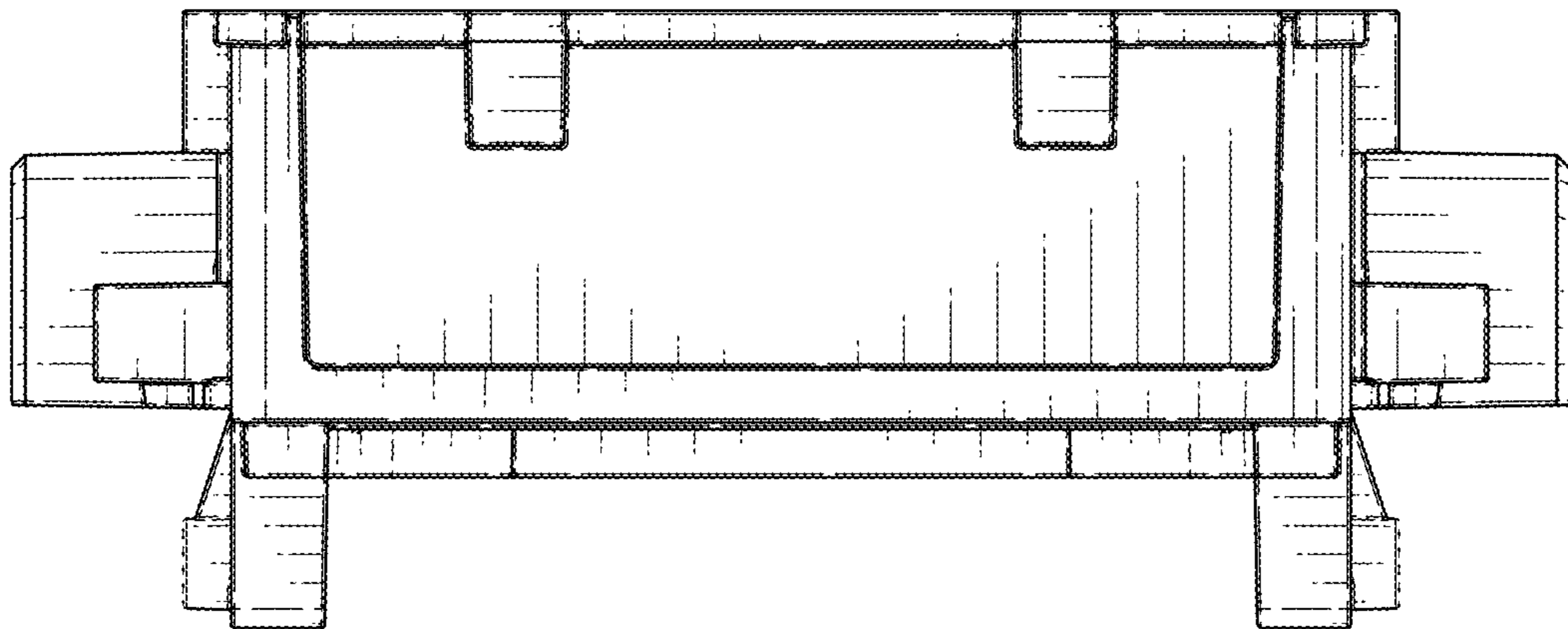


FIG. 3

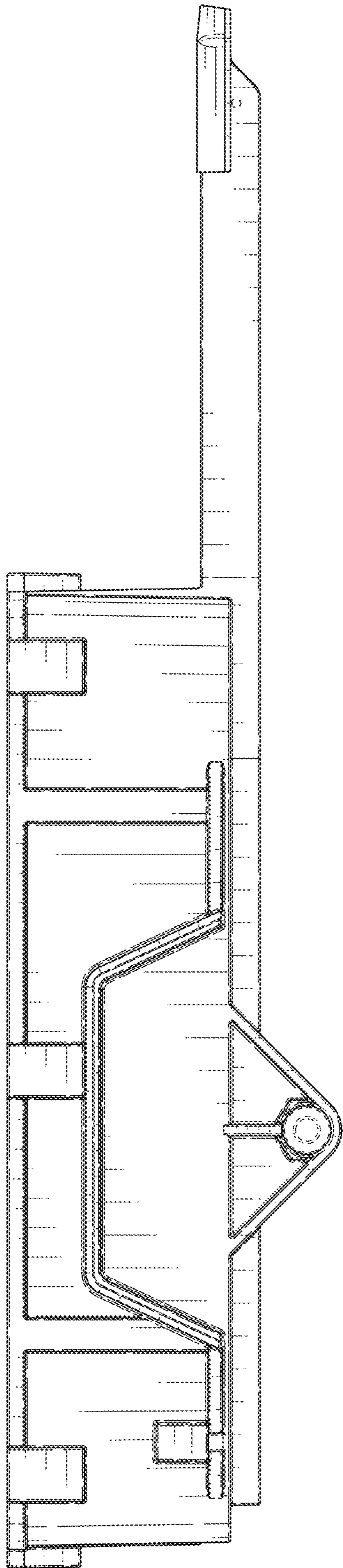


FIG. 4

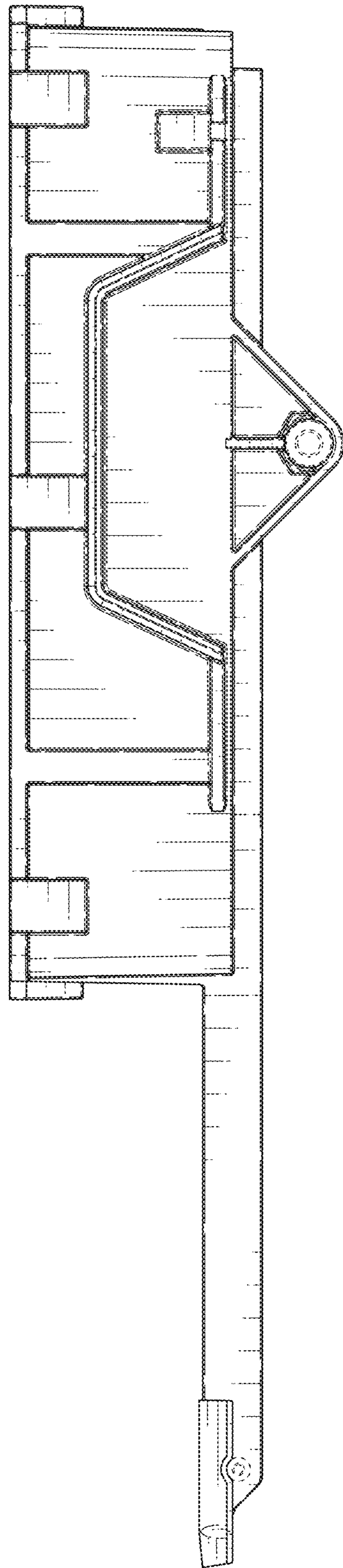


FIG. 5

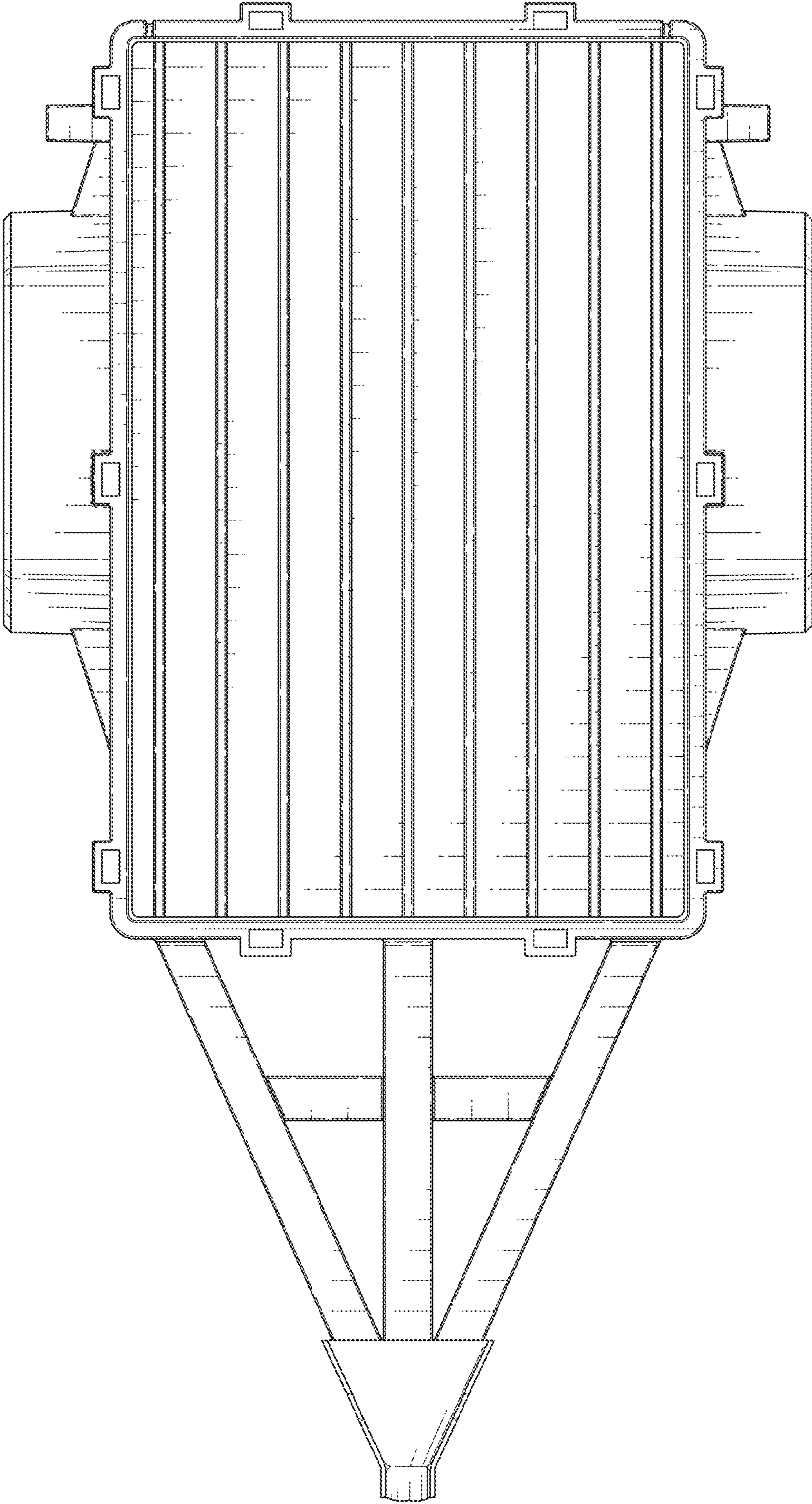


FIG. 6

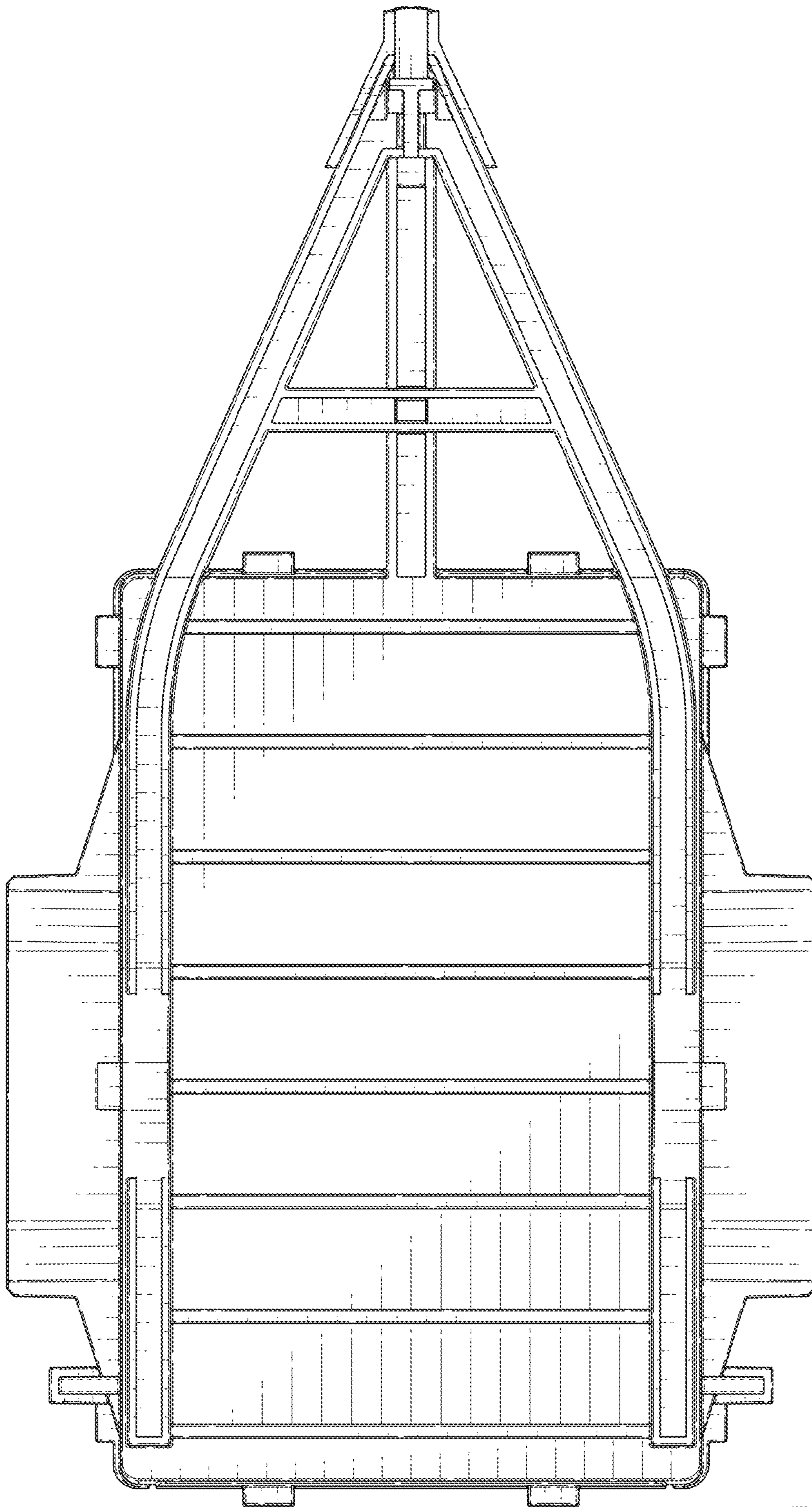


FIG. 7

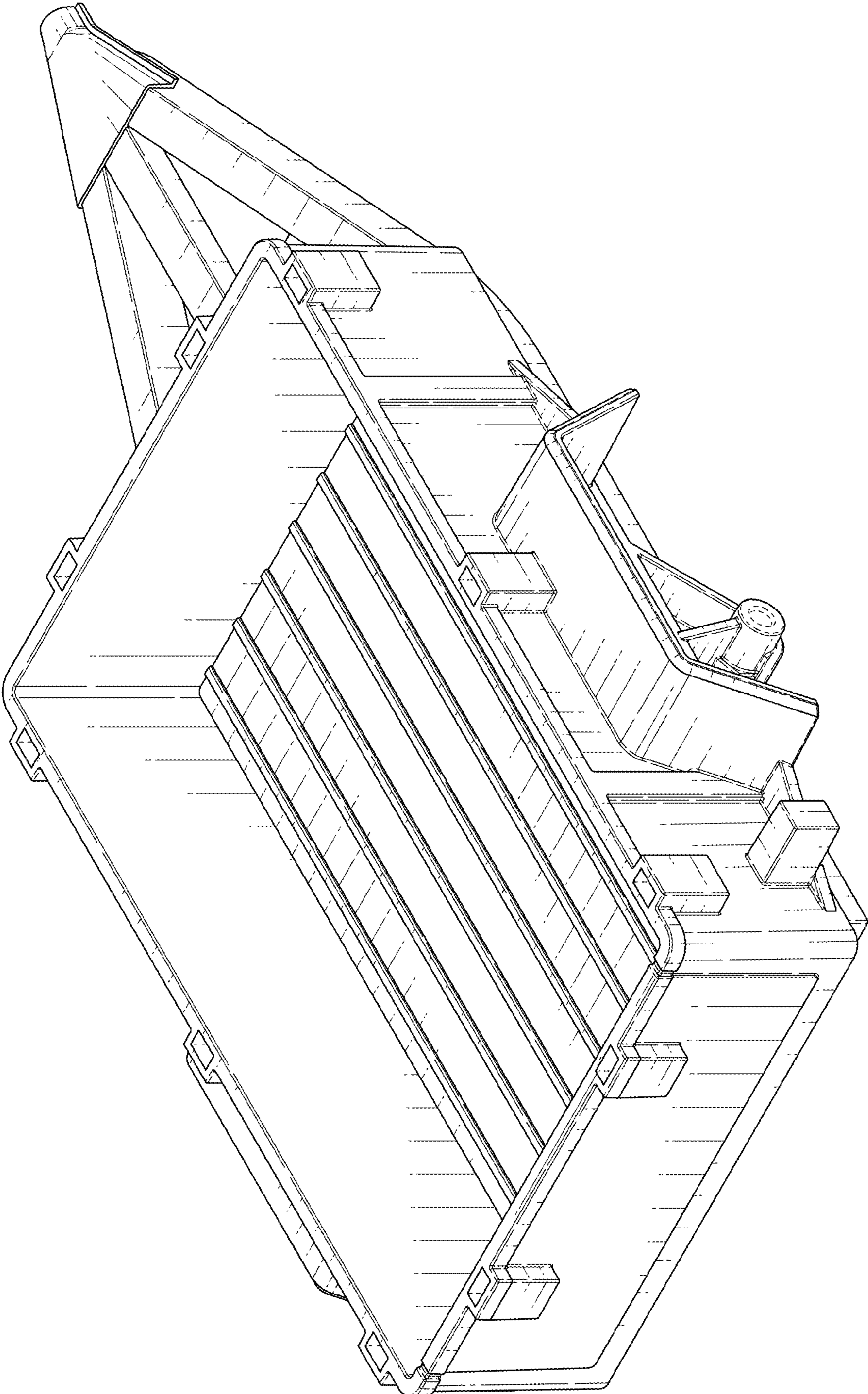


FIG. 8

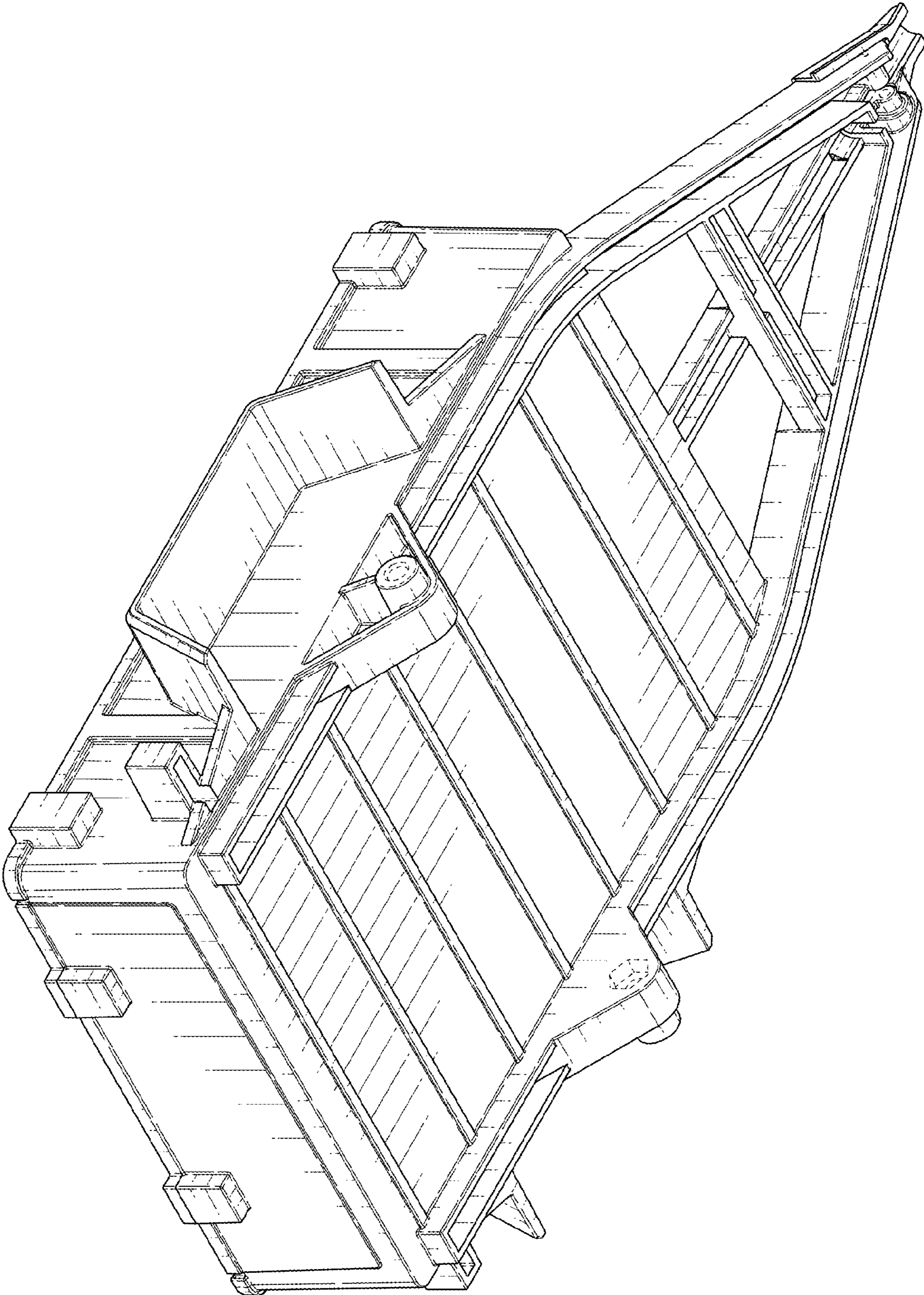


FIG. 9

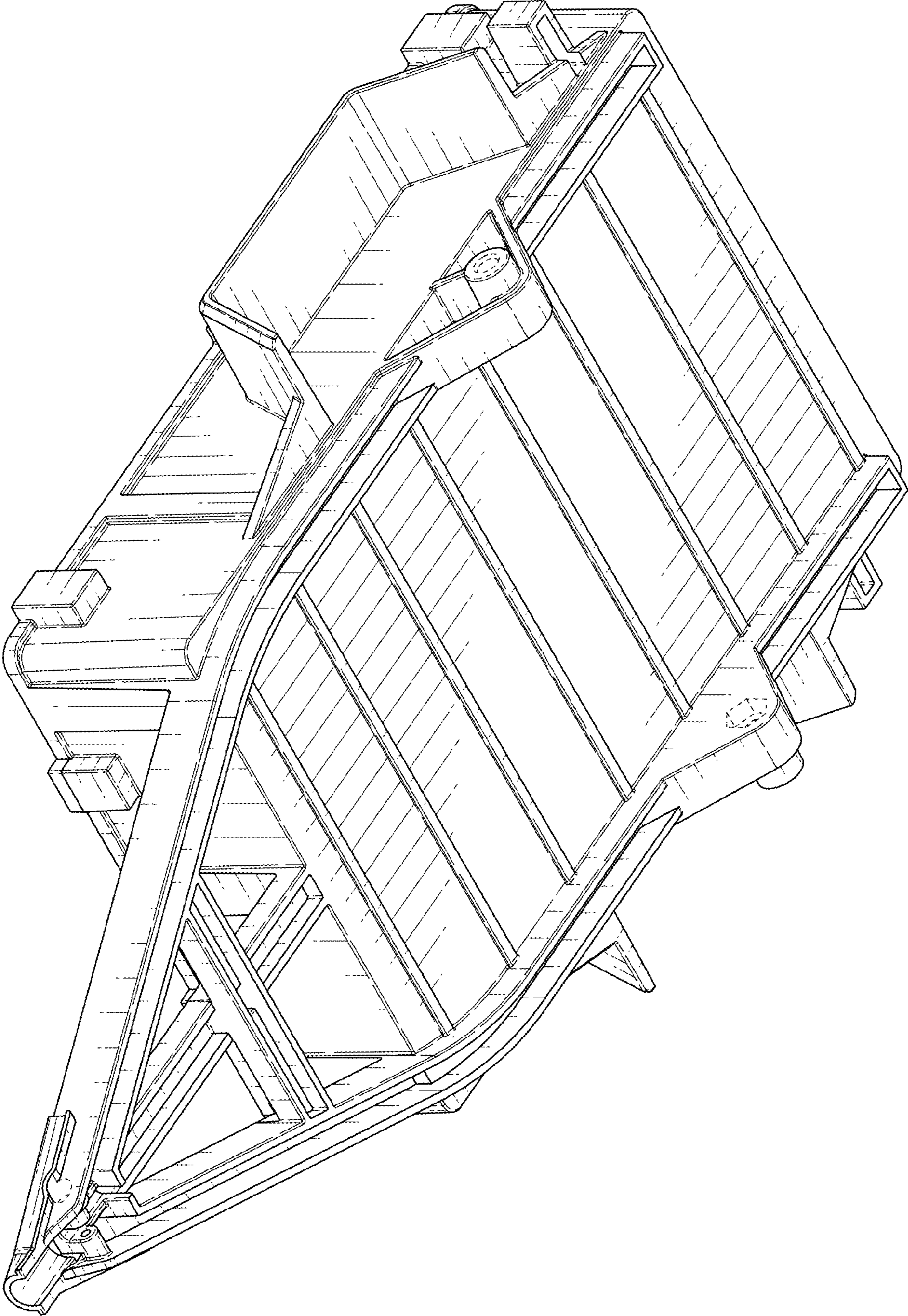


FIG. 10