



US0D1056074S

(12) **United States Design Patent** (10) **Patent No.:** **US D1,056,074 S**
Poteet et al. (45) **Date of Patent:** **** Dec. 31, 2024**

(54) **MODEL VEHICLE STEERING DRAG LINK**

FOREIGN PATENT DOCUMENTS

(71) Applicant: **TRAXXAS, L.P.**, McKinney, TX (US)

GB 6348348 * 8/2023
GB 6307603 * 9/2023
GB 6307605 * 9/2023

(72) Inventors: **Kent Poteet**, Lucas, TX (US); **Otto Karl Allmendinger**, Rowlett, TX (US); **Adam Cole Ewing**, McKinney, TX (US); **Ross Martin**, Roanoke, TX (US); **Terry Soward**, Van Alstyne, TX (US)

OTHER PUBLICATIONS

(73) Assignee: **TRAXXAS, L.P.**, McKinney, TX (US)

Amazon Website, Atomik Bellcrank Assembly, Earliest Comment Date: Jun. 14, 2019 [Website Visited Sep. 26, 2024] Available on the Internet URL <https://www.amazon.com/dp/B078B7KYH5/> (Year: 2019).*

(**) Term: **15 Years**

Amazon Website, Wefeino Upgrade Parts, No Available Date[Website Visited Sep. 26, 2024] Available on the Internet URL <https://www.amazon.com/dp/B0CX89J8V9/> (Year: 2024).*

(21) Appl. No.: **29/886,319**

Traxxas Website, Aluminum Drag Link, No Available Date[Website Visited Sep. 26, 2024] Available on the Internet URL <https://traxxas.com/products/parts/7879-RED> (Year: 2024).*

(22) Filed: **Mar. 7, 2023**

* cited by examiner

(51) **LOC (14) Cl.** **21-01**

Primary Examiner — S. Bryan Reinholdt, Jr.

(52) **U.S. Cl.**

Assistant Examiner — James T Tyree

USPC **D21/561**; D21/562; D21/533

(74) *Attorney, Agent, or Firm* — Daryl R. Wright; Greg Carr

(58) **Field of Classification Search**

USPC D21/561, 562, 563, 565, 424, 495, 533

CPC A63H 17/262; A63H 19/18; B60G 7/003

See application file for complete search history.

(57) **CLAIM**

The ornamental design for a model vehicle steering drag link as shown and described.

(56) **References Cited**

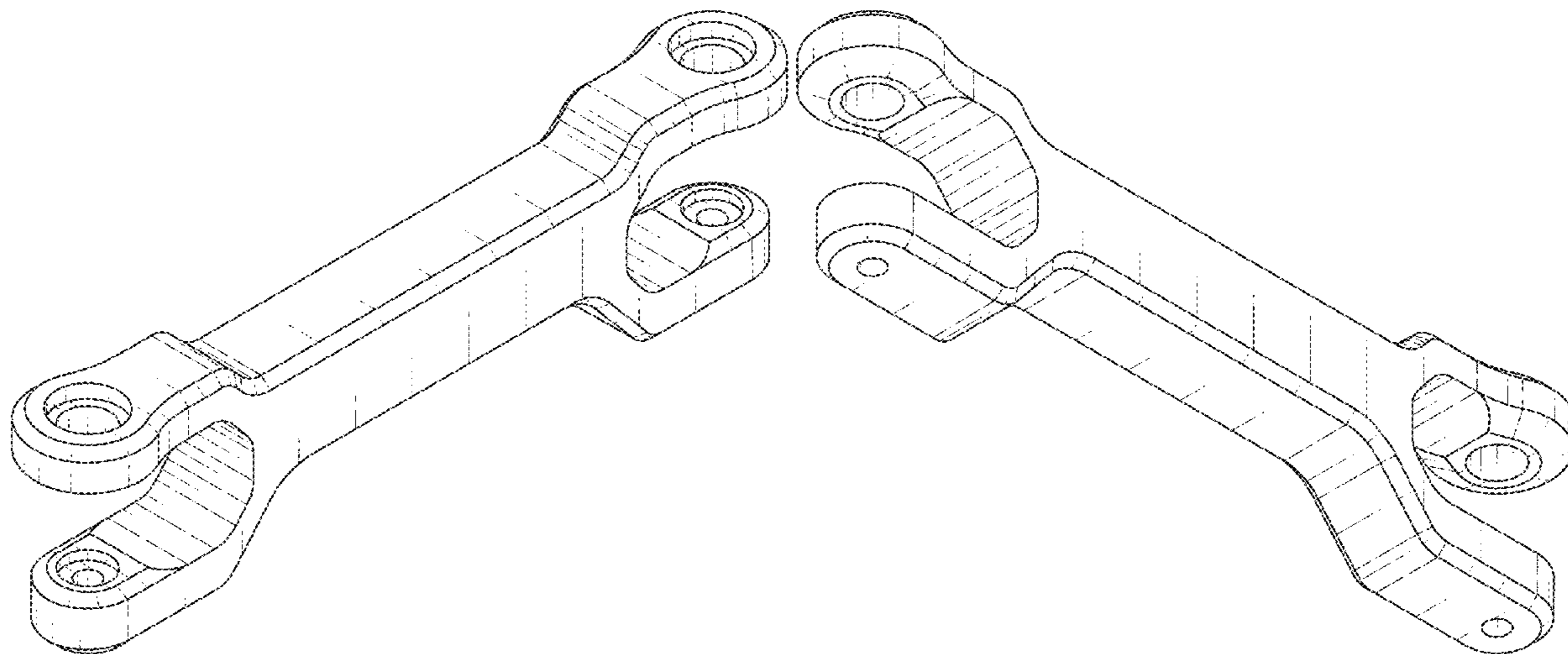
DESCRIPTION

U.S. PATENT DOCUMENTS

D304,472 S	*	11/1989	Poulsen	D21/561
D304,473 S	*	11/1989	Poulsen	D21/561
D822,125 S	*	7/2018	Ewing	D21/561
D826,340 S	*	8/2018	Ewing	D21/561
D880,279 S	*	4/2020	Marchesan	D8/354
D900,250 S	*	10/2020	Ewing	D21/561
D923,115 S	*	6/2021	Ewing	D21/562
D923,116 S	*	6/2021	Ewing	D21/562
D947,290 S	*	3/2022	Christensen	D12/159
D947,959 S	*	4/2022	Christensen	D12/159
D951,150 S	*	5/2022	Ewing	D12/159
D996,528 S	*	8/2023	Christensen	D21/562
D1,014,658 S	*	2/2024	Christensen	D12/159

FIG. 1 is an upper, right, front perspective view of a model vehicle steering drag link showing our new design; FIG. 2 is a lower, right, front perspective view thereof; FIG. 3 is a front elevation view thereof; FIG. 4 is a rear elevation view thereof; FIG. 5 is a right side elevation view thereof; FIG. 6 is a left side elevation view thereof; FIG. 7 is an upper plan view thereof; and, FIG. 8 is a lower plan view of the model vehicle steering drag link.

1 Claim, 5 Drawing Sheets



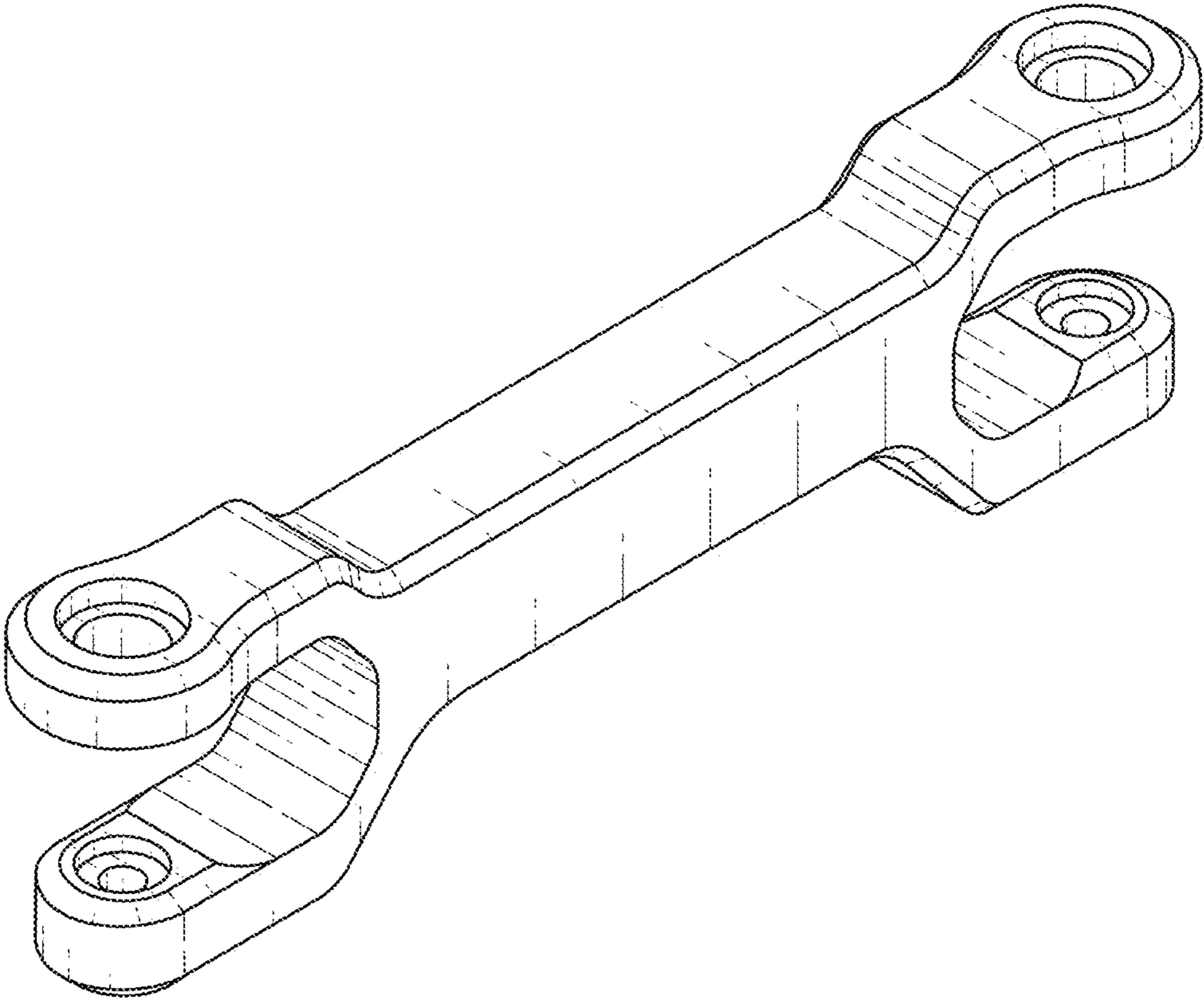


FIG. 1

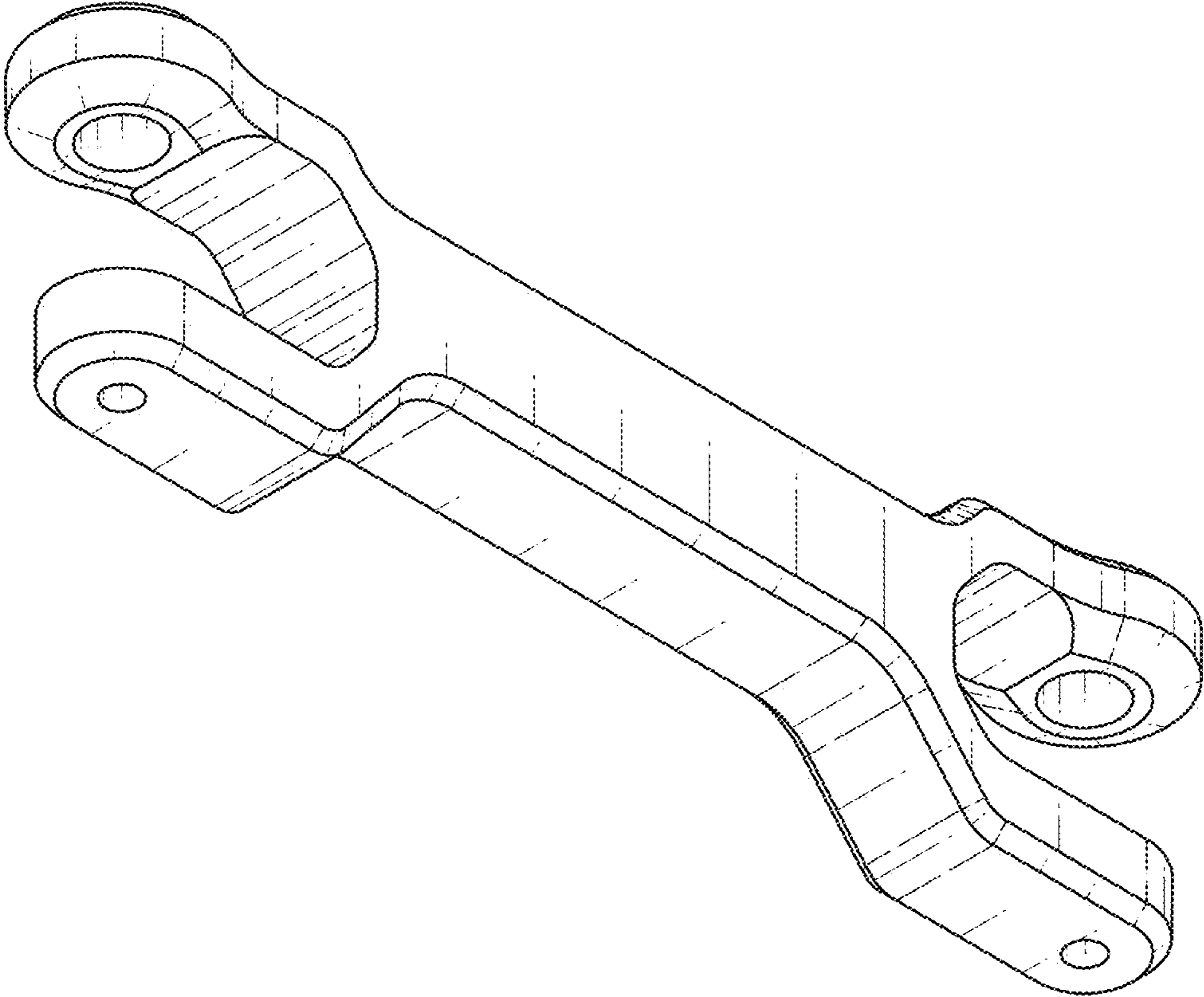


FIG. 2

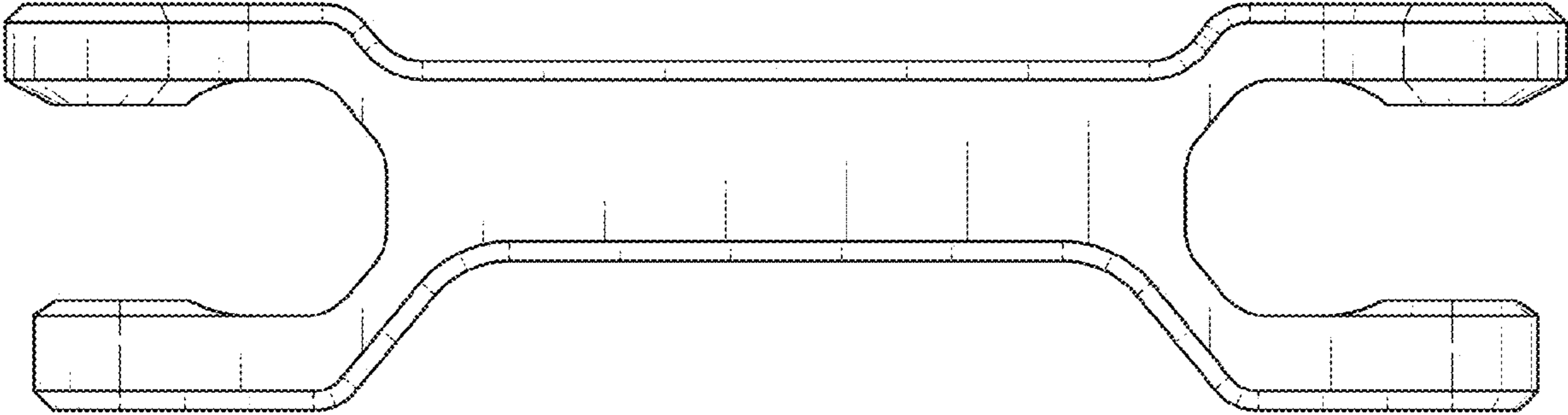


FIG. 3

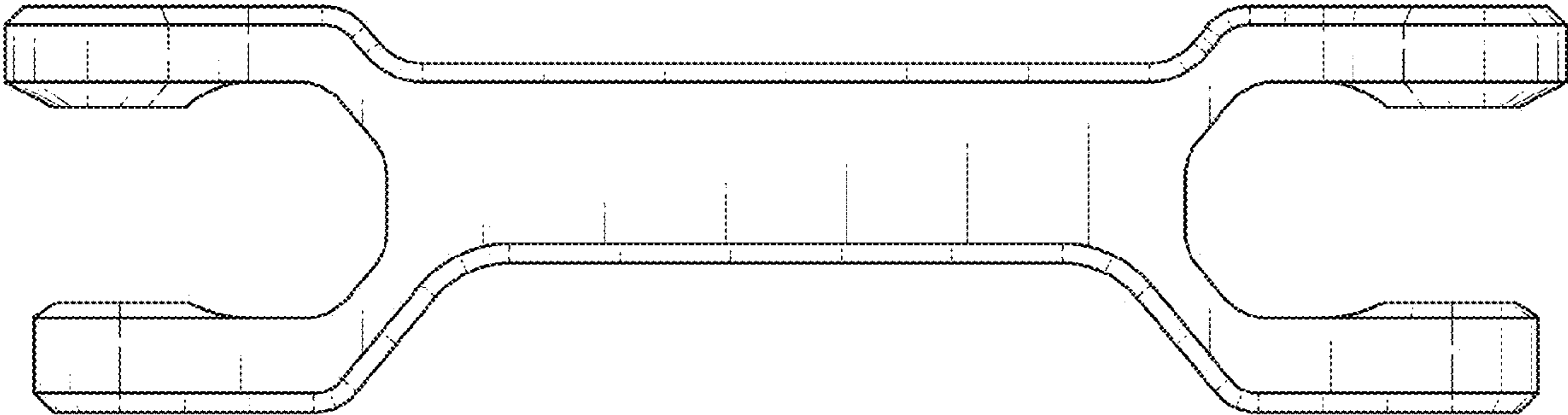


FIG. 4

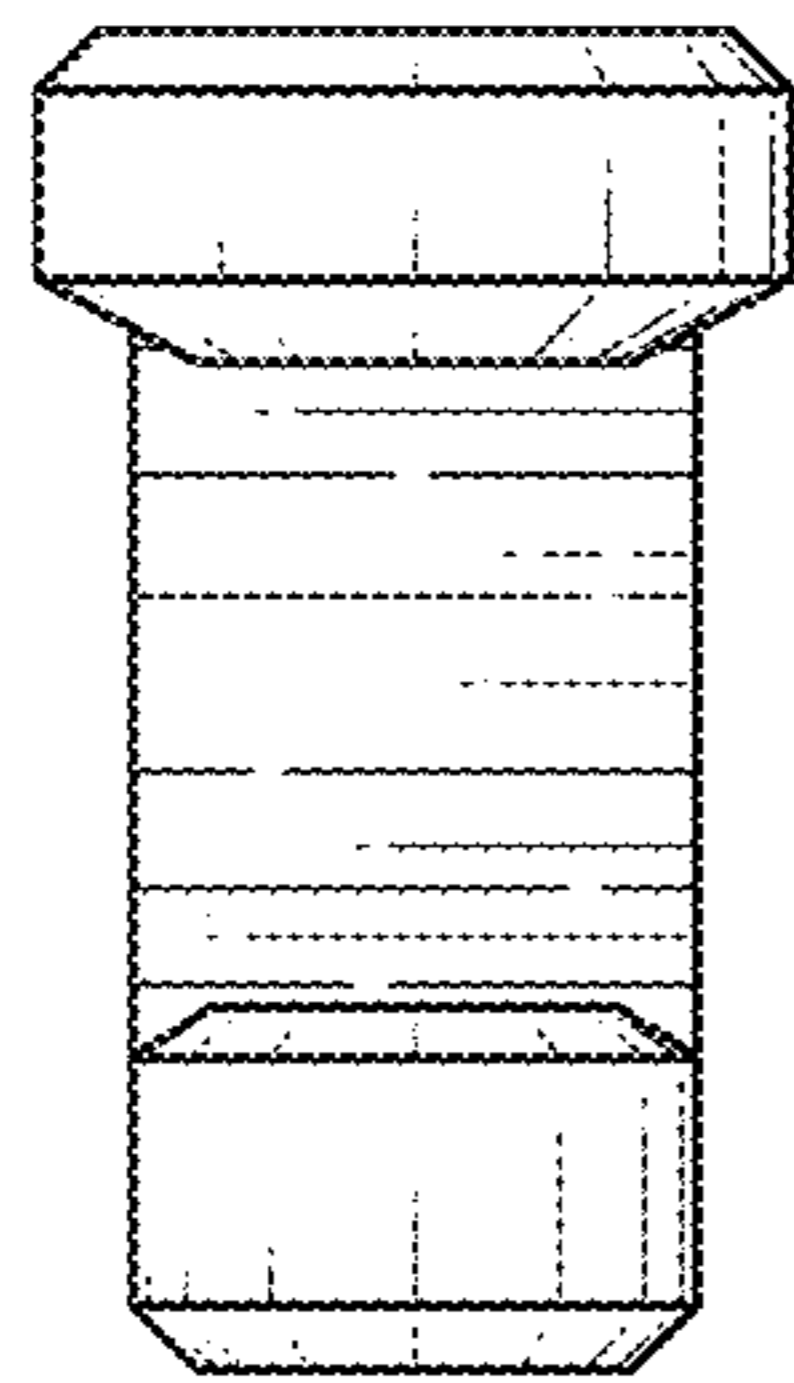


FIG. 5

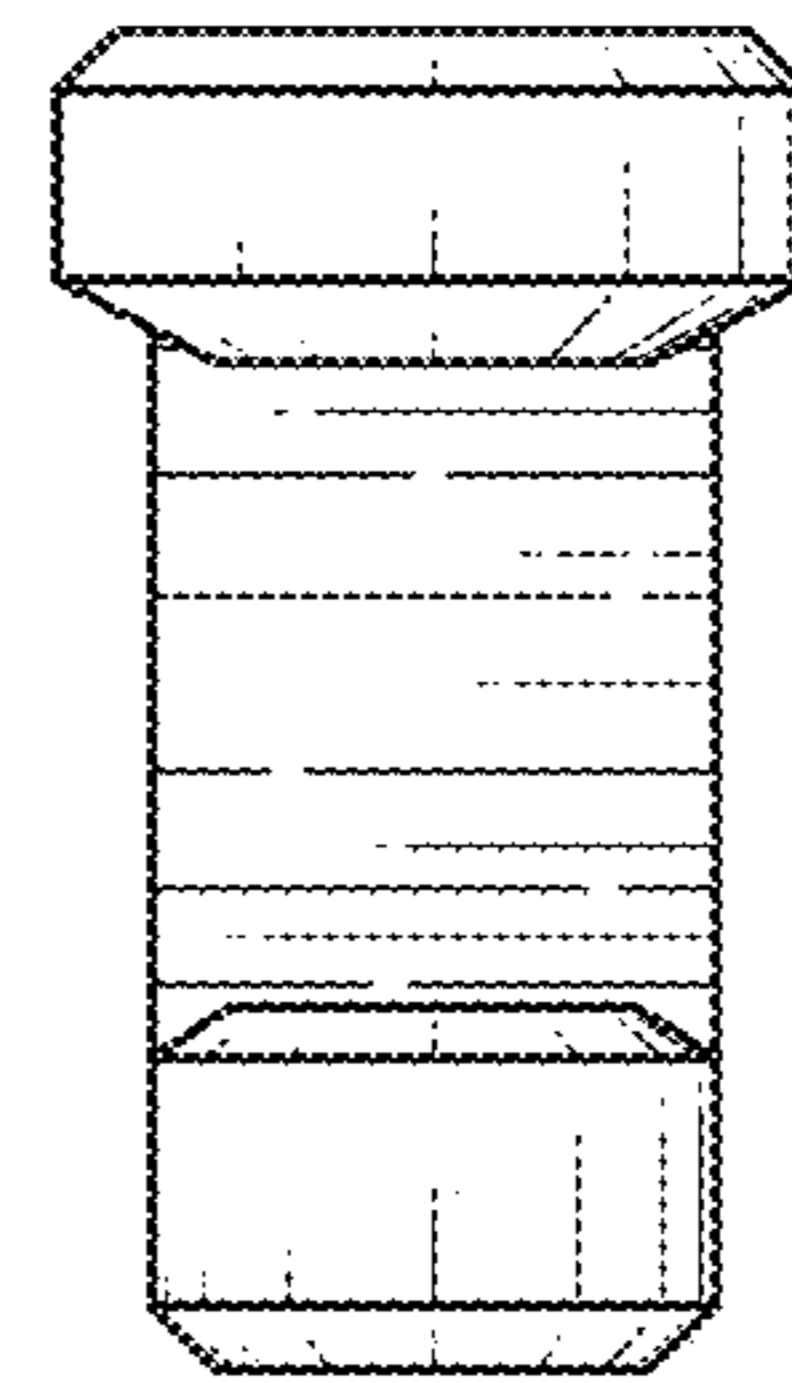


FIG. 6

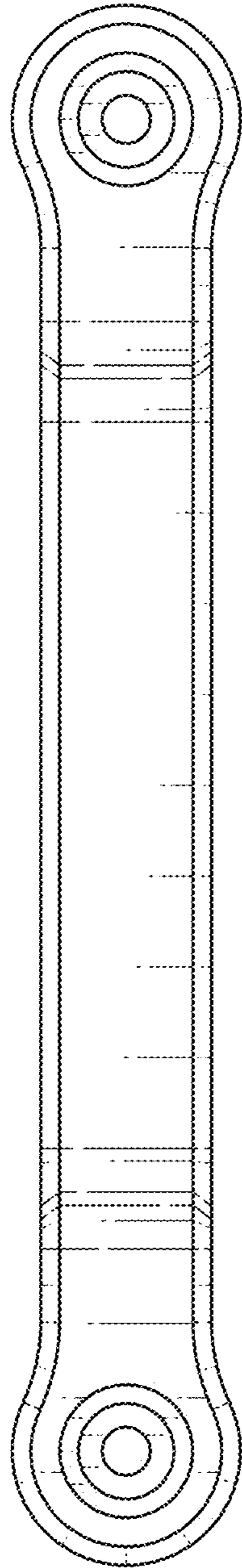


FIG. 7

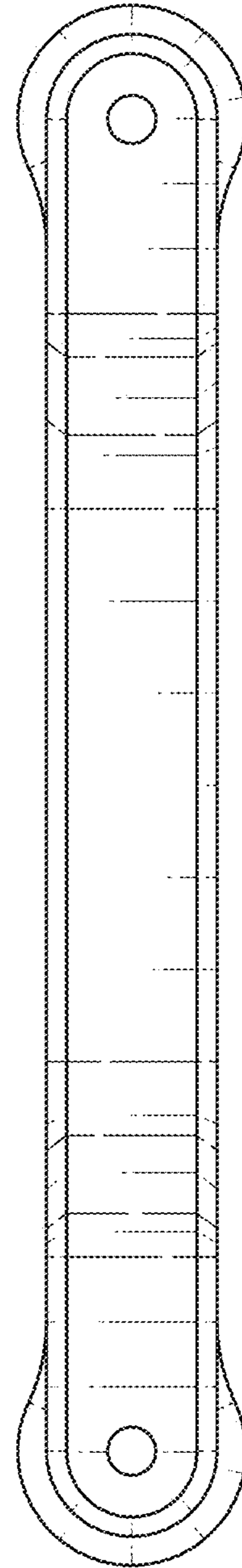


FIG. 8