



US0D1055749S

(12) **United States Design Patent** (10) **Patent No.:** **US D1,055,749 S**
Bell (45) **Date of Patent:** **** Dec. 31, 2024**

(54) **JEWELRY**

FOREIGN PATENT DOCUMENTS

(71) Applicant: **Christopher Cleophus Bell**, Clinton, MD (US)

CN 306278061 * 1/2021
KR 301267950.0000 * 7/2024

(72) Inventor: **Christopher Cleophus Bell**, Clinton, MD (US)

OTHER PUBLICATIONS

(**) Term: **15 Years**

Cate & Chloe Samantha 18k White Gold Plated Black Crystal Necklace amazon pp. 1-10 2018 https://www.amazon.com/Cate-Chloe-Samantha-Solitaire-Swarovski/dp/B07FR1BYTM/ref=sr_1_131? (Year: 2018).*

(21) Appl. No.: **29/849,388**

(Continued)

(22) Filed: **Aug. 10, 2022**

(51) **LOC (14) Cl.** **11-01**

Primary Examiner — Kevin K Rudzinski

(52) **U.S. Cl.**
USPC **D11/79**

Assistant Examiner — Evans David Delesline

(58) **Field of Classification Search**
USPC D11/1-8, 79-81
CPC A44C 25/001
See application file for complete search history.

(57) **CLAIM**

The ornamental design for jewelry, as shown and described.

(56) **References Cited**

DESCRIPTION

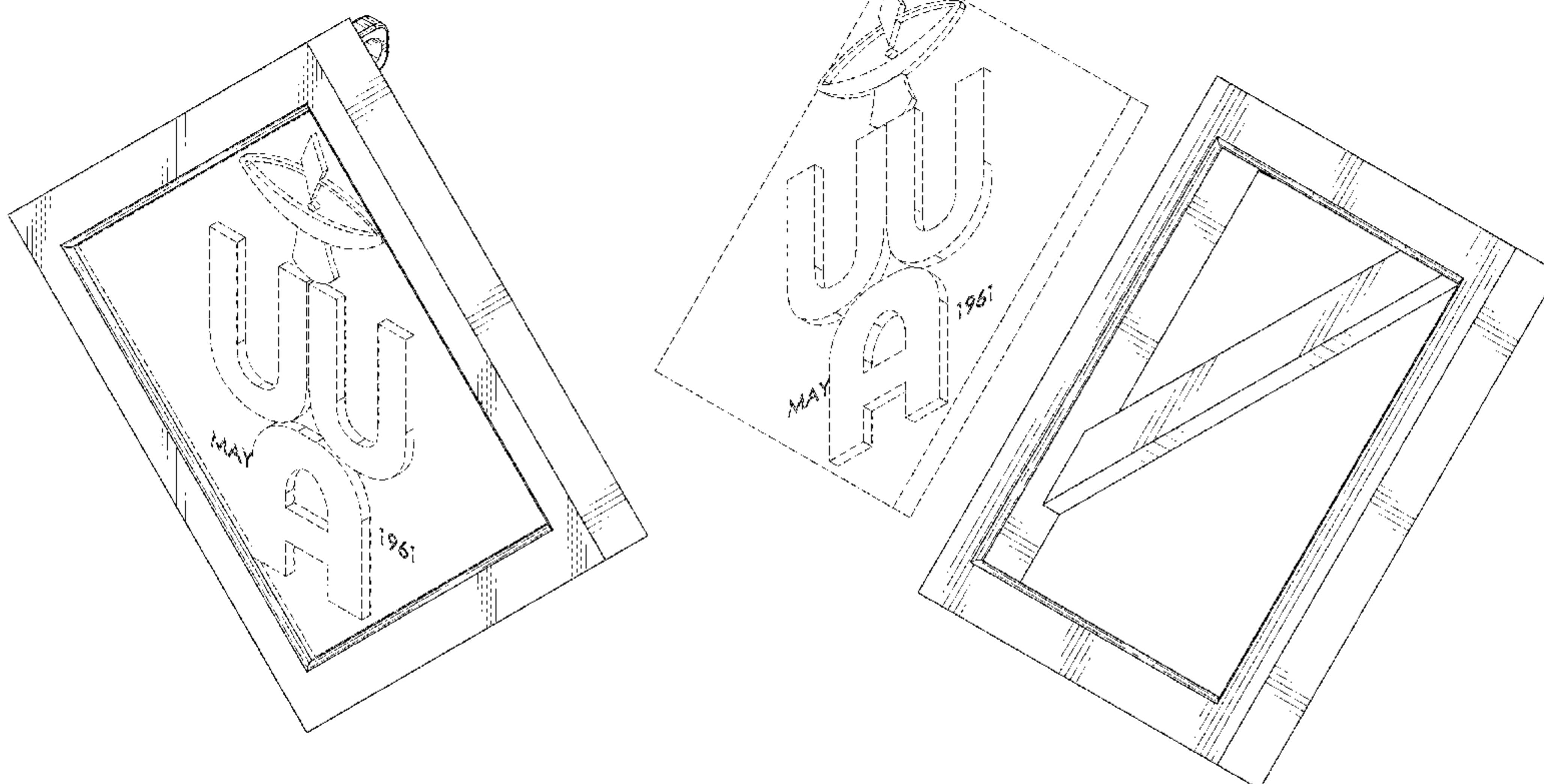
U.S. PATENT DOCUMENTS

D28,626 S *	5/1898	Selman	D11/81
D135,371 S *	3/1943	Hendrix	D11/81
D241,366 S *	9/1976	Augis	D11/92
D259,109 S *	5/1981	Murphy	D11/75
D271,003 S *	10/1983	Brinkley	D11/75
D271,384 S *	11/1983	Frye	D11/96
D343,140 S *	1/1994	Sperandio	D11/79
5,531,065 A	7/1996	Rozenwasser		
5,755,506 A	5/1998	Ray et al.		
D418,443 S *	1/2000	Wieck	D11/81
6,585,845 B1	7/2003	Peterson		
D484,065 S *	12/2003	Kalakie	D11/7
D484,068 S *	12/2003	Pachachi	D11/79
6,772,580 B2	8/2004	Seliktar		
D497,828 S *	11/2004	Kharloubian	D11/79
D555,533 S *	11/2007	Gruosi-Scheufele	D11/43
D556,084 S *	11/2007	Kothari	D11/91
D572,166 S *	7/2008	Freer-Heeter	D11/108
D634,230 S *	3/2011	Arlanda	D11/40
D635,484 S *	4/2011	Liechtung	D11/79

FIG. 1 is a top-front-right perspective view of a jewelry piece showing my new design;
FIG. 2 is a top-rear-left perspective view thereof;
FIG. 3 is a front elevational view thereof;
FIG. 4 is a rear elevational view thereof;
FIG. 5 is a top plan view thereof;
FIG. 6 is a bottom plan view thereof;
FIG. 7 is a left-side elevational view thereof;
FIG. 8 is a right-side elevational view thereof;
FIG. 9 is an exploded top-front-right perspective view thereof; and,
FIG. 10 is an exploded bottom-front-right perspective view thereof.
The broken lines showing of a center piece of jewelry in FIGS. 1-4 and 9-10 are included for the purpose of illustrating environmental structure and form no part of the claimed design.

(Continued)

1 Claim, 10 Drawing Sheets



(56)

References Cited

U.S. PATENT DOCUMENTS

D715,680 S * 10/2014 Ochoa D11/80
D726,575 S * 4/2015 Pennington D11/91
9,119,446 B1 9/2015 Dryden
D767,434 S * 9/2016 Matheny D11/1
D811,922 S * 3/2018 Lefave D11/79
D815,830 S * 4/2018 Ganovsky D3/266
D826,766 S * 8/2018 James D11/79
D834,990 S * 12/2018 Pandolfino D11/79
D834,991 S * 12/2018 Pandolfino D11/79
D835,537 S * 12/2018 Matheny D11/1

OTHER PUBLICATIONS

0.12 Carat (Ctw) 10k White Gold Brilliant White Diamond Ladies
Micro Pave Square Shape Pendant dazzling rock pp. 1-7 2024
<https://www.dazzlingrock.com/product/0.12-Carat-%28ctw%29-10k-White-Gold-Brilliant-White-Diamond-Ladies-Micro-Pave-Square-Shape-Pendant/GD50563/7> (Year: 2024).*

Beautlace Triangle Necklace Silver/18K Gold/Black Gun Plated
Minimalist Geometric Triangle Pendant amazon pp. 1-9 2019
https://www.amazon.com/Beautlace-Minimalist-Geometric-Rectangle-Multilayered/dp/B083SFS1ZJ/ref=sr_1_39? (Year: 2019).*

* cited by examiner

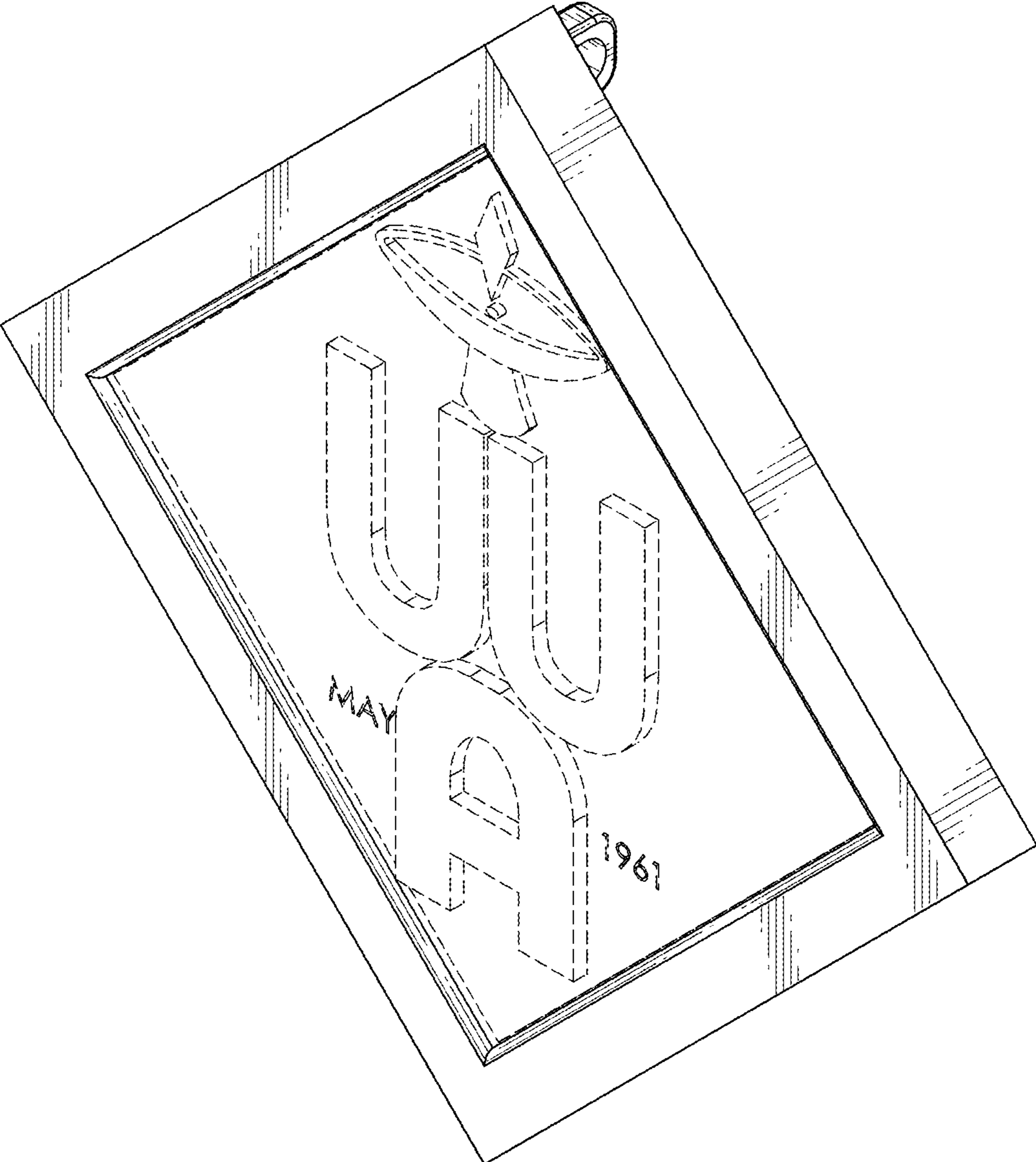


FIG. 1

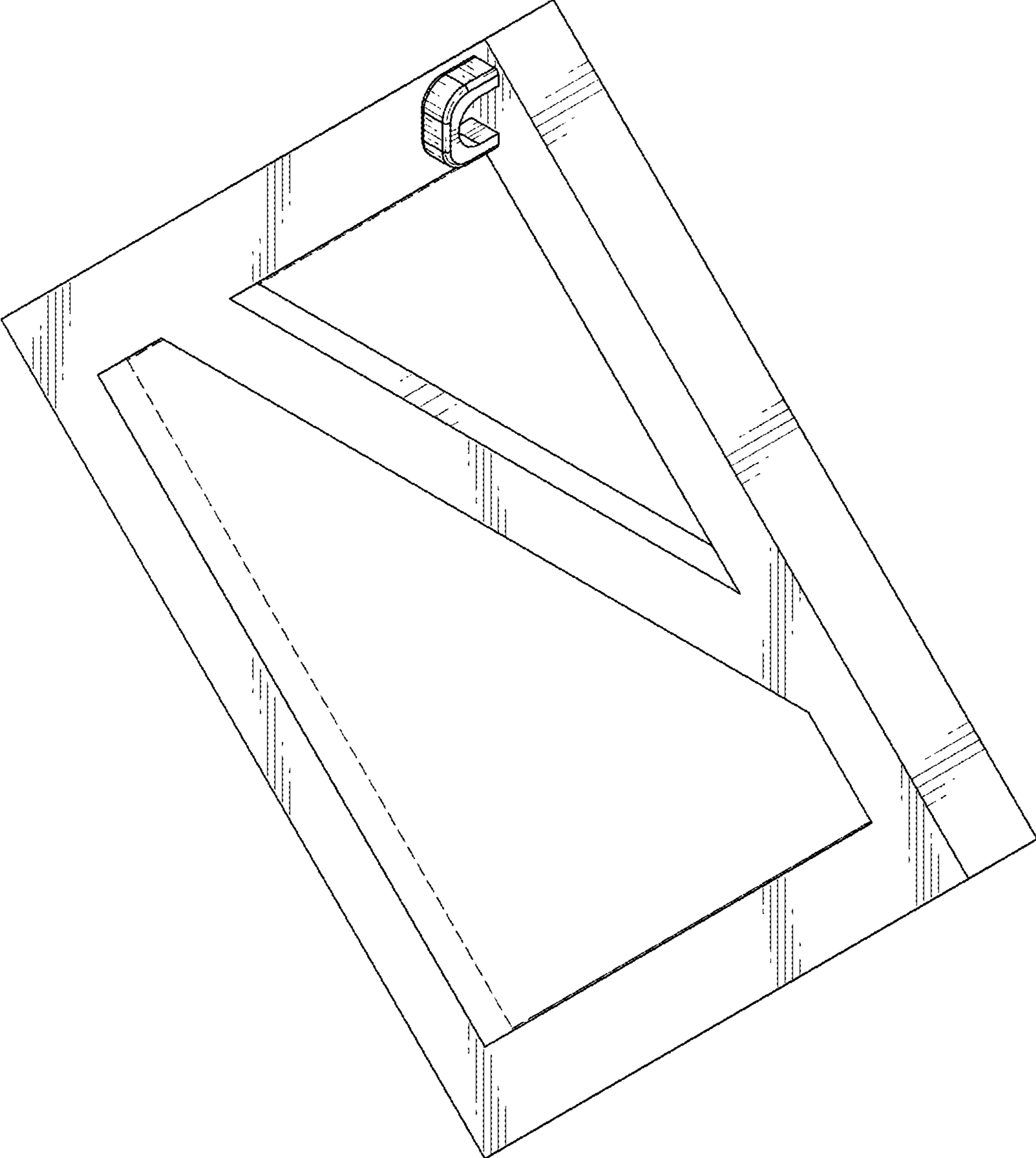


FIG. 2

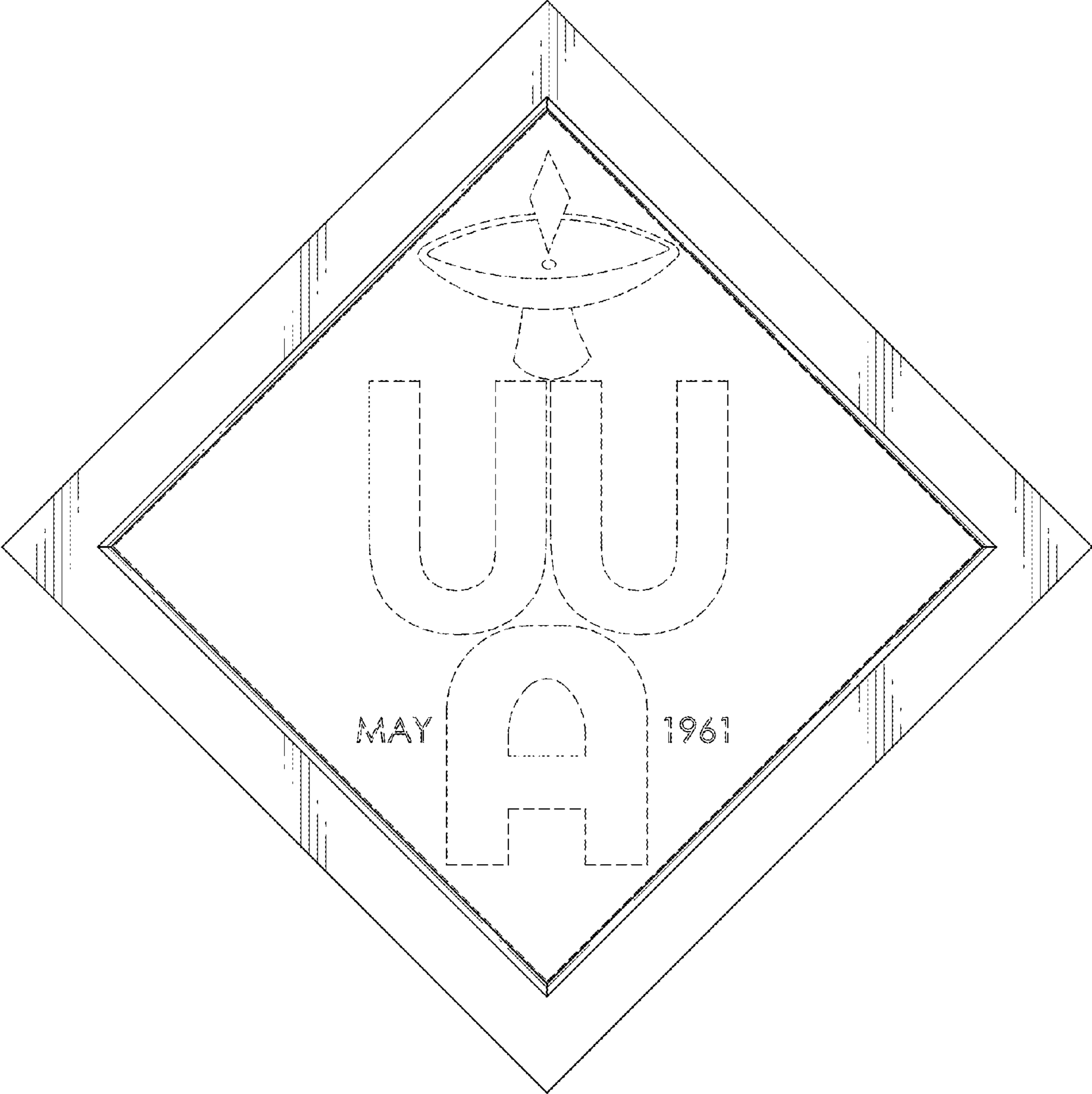


FIG. 3

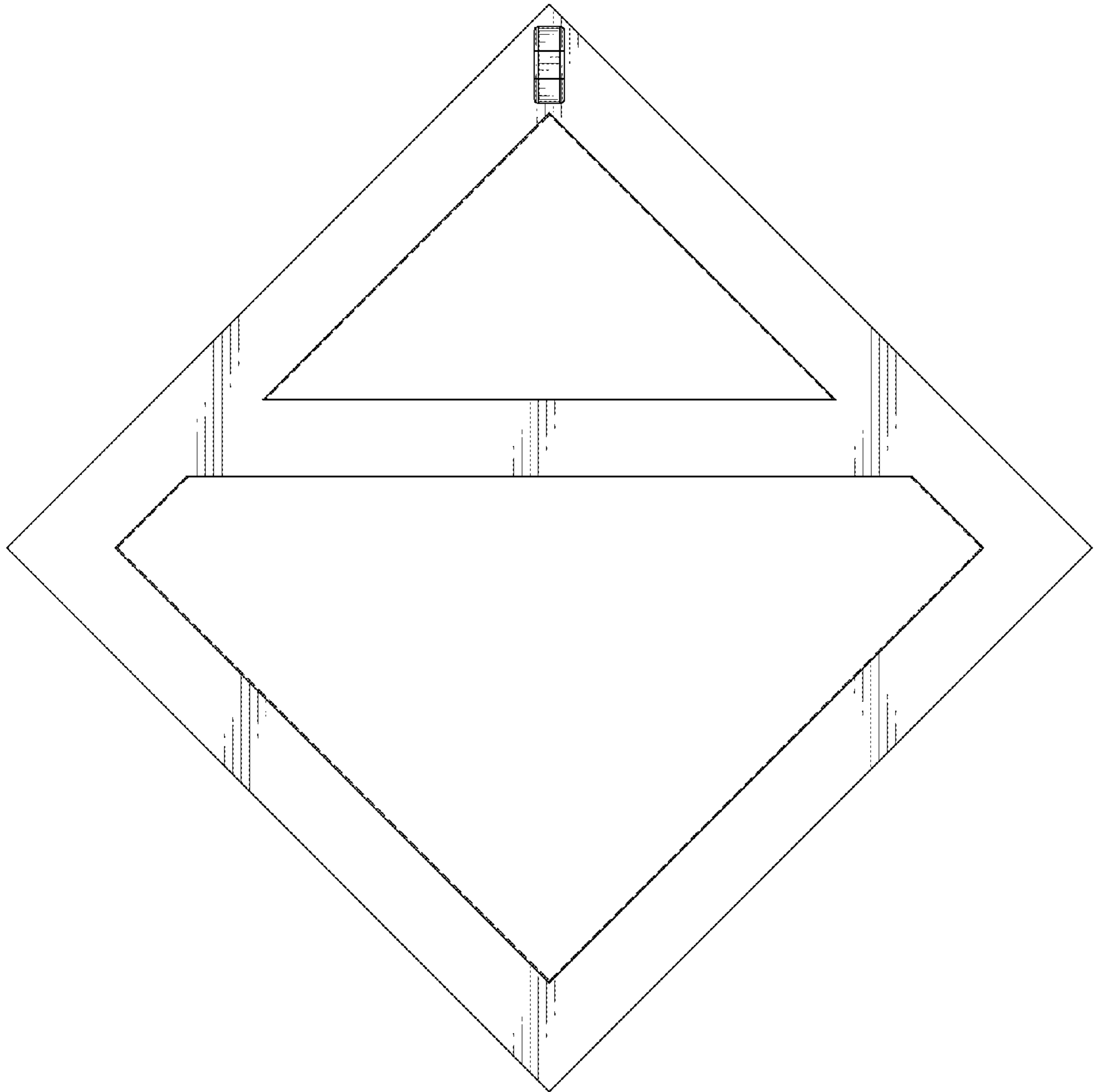


FIG. 4

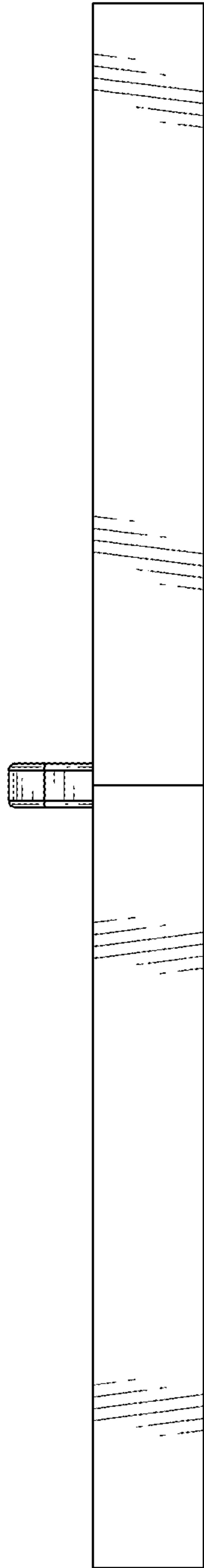


FIG. 5

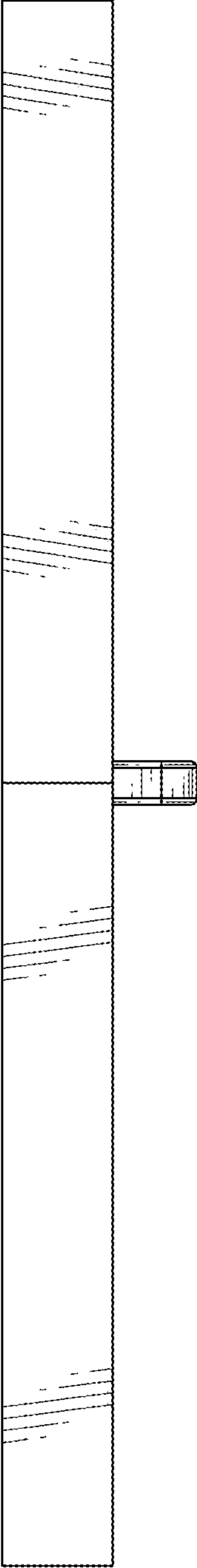


FIG. 6

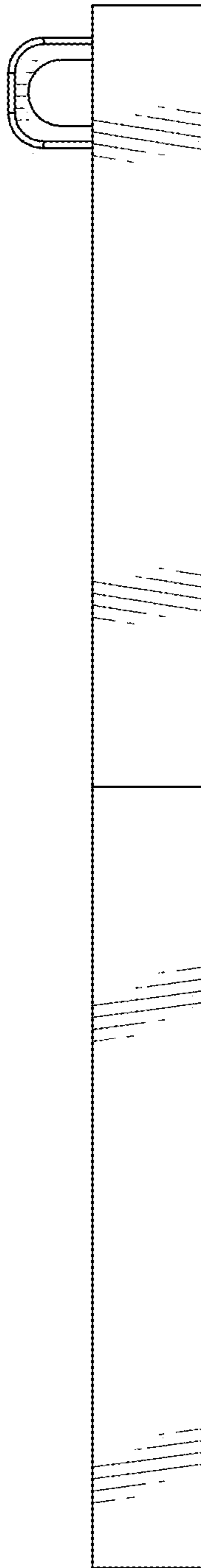


FIG. 7

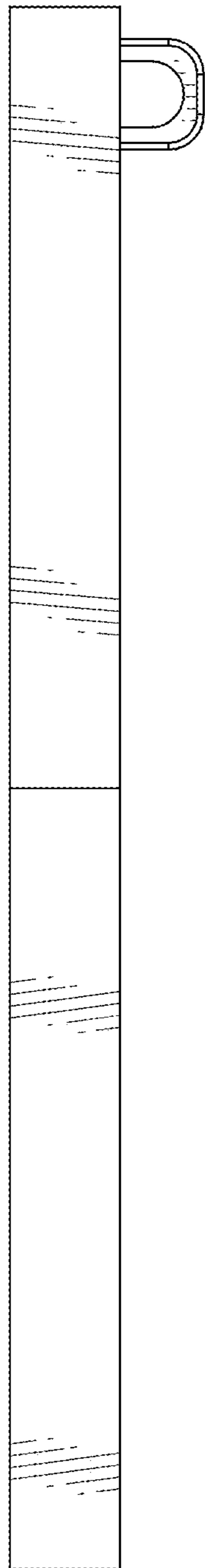


FIG. 8

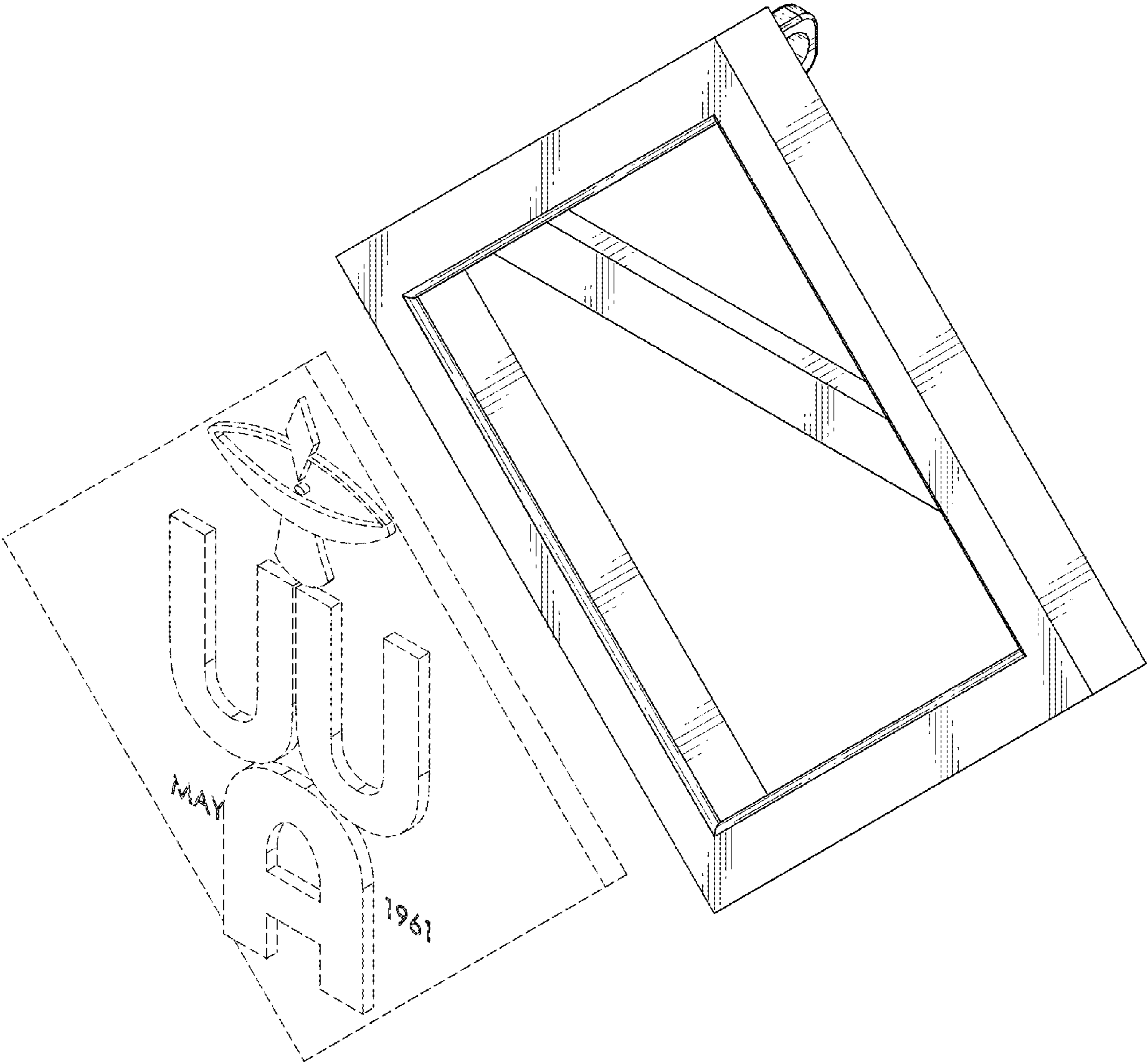


FIG. 9

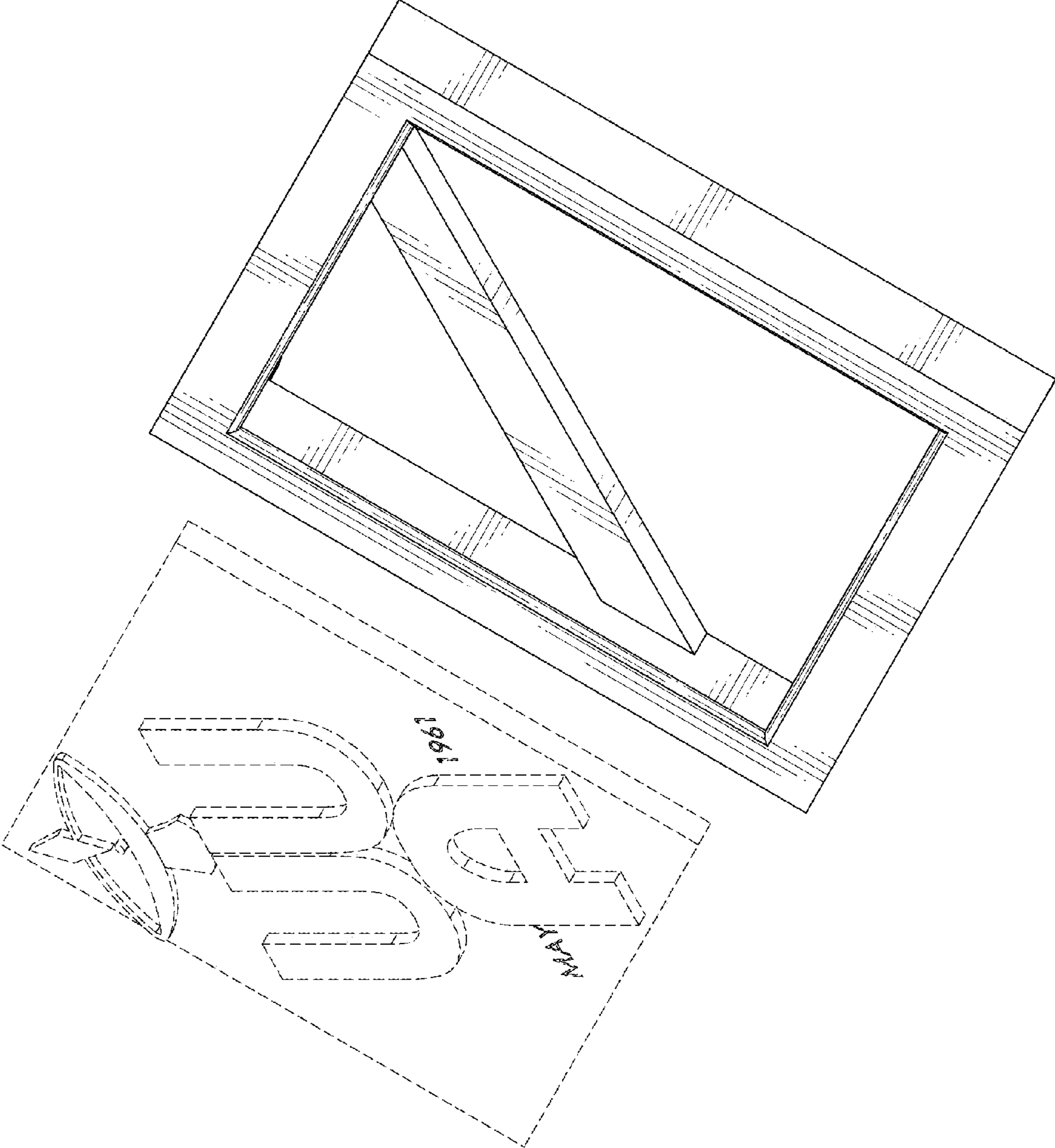


FIG. 10