



US0D1055506S

(12) **United States Design Patent** (10) **Patent No.:** **US D1,055,506 S**
Porter (45) **Date of Patent:** **** Dec. 31, 2024**

(54) **TOTE BAG PILLOW WITH SHOULDER WRAP**

(71) Applicant: **Selena Porter**, Las Vegas, NV (US)

(72) Inventor: **Selena Porter**, Las Vegas, NV (US)

(**) Term: **15 Years**

(21) Appl. No.: **29/841,822**

(22) Filed: **Jun. 8, 2022**

(51) **LOC (14) Cl.** **03-01**

(52) **U.S. Cl.**

USPC **D3/233; D2/719; D6/601**

(58) **Field of Classification Search**

USPC D3/232, 233, 245, 246, 247, 201, 216, D3/217, 234, 238, 243, 254, 261, 307, D3/317, 318, 326, 202, 276, 283, 289, D3/902, 203.1, 285, 286, 287, 301, 284, D3/905, 205, 259, 262, 269, 244, 303; D7/607; D6/596, 601; D2/719
CPC .. A45C 3/06; A45C 3/00; A45C 1/024; A45C 5/14; A45C 7/009; A45C 3/10; A45C 9/00; A45F 3/02; A45F 4/02; A45F 3/04; A41D 13/0012; F41B 5/1457; A47D 5/006; A47G 9/10; A47K 10/02; A61F 9/04

See application file for complete search history.

(56) **References Cited**

U.S. PATENT DOCUMENTS

4,535,878 A * 8/1985 Grahl A45C 3/10 5/639

4,991,245 A 2/1991 Franco
(Continued)

FOREIGN PATENT DOCUMENTS

KR 300653278.0000 * 7/2012
WO WO2002082941 A1 10/2002

OTHER PUBLICATIONS

Amazon.com, Site visited Jan. 10, 2024, BlueHills Premium Soft Travel Blanket Pillow, Date first available, Aug. 24, 2018, <https://www.amazon.com/BlueHills-Premium-Blanket-Airplane-Backpack/dp/B07PJL9Z2N?th=1> (Year: 2018).*

(Continued)

Primary Examiner — Brett Miller

Assistant Examiner — Jessica M Gebhart

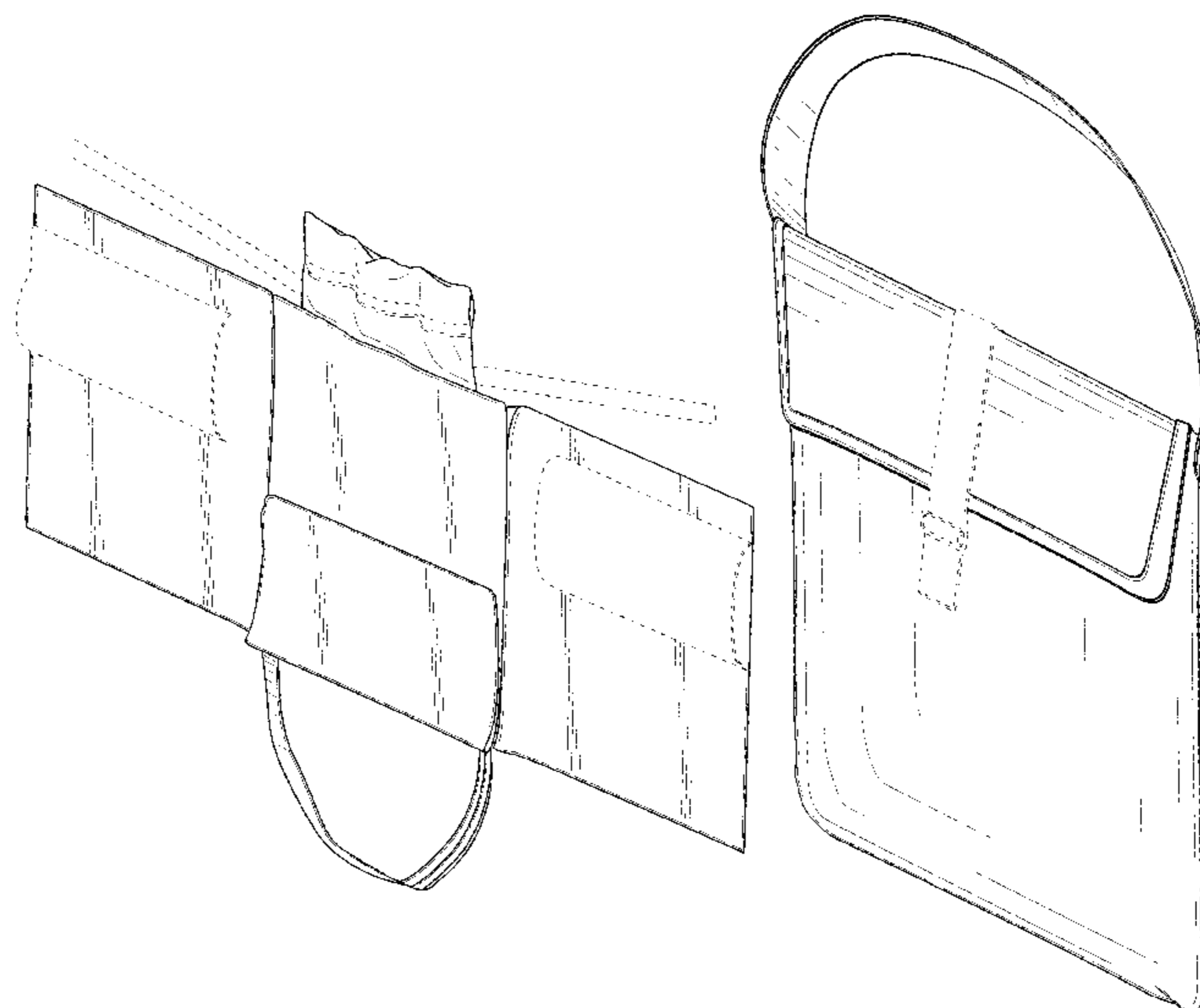
(57) **CLAIM**

The ornamental design for a tote bag pillow with shoulder wrap, as shown and described.

DESCRIPTION

FIG. 1 is a top-front-left perspective view of a tote bag pillow with shoulder wrap showing my new design; FIG. 2 is a bottom-rear-right perspective view thereof; FIG. 3 is a front elevational view thereof; FIG. 4 is a rear elevational view thereof; FIG. 5 is a top plan view thereof; FIG. 6 is a bottom plan view thereof; FIG. 7 is a right elevational view thereof; FIG. 8 is a left elevational view thereof; FIG. 9 is an enlarged top-front-left perspective view thereof showing the tote bag pillow with shoulder strap in condition of storage; FIG. 10 is an enlarged bottom-rear-right perspective view thereof; FIG. 11 is an enlarged front elevational view thereof; FIG. 12 is an enlarged rear elevational view thereof; and, FIG. 13 is a top-front-left perspective view thereof showing the tote bag pillow with shoulder strap in condition of use. The broken lines showing straps in FIGS. 1-5 and 7-8, the broken lines showing pockets in FIGS. 1-3 and 5-8, the broken lines showing a strap and a buckle in FIGS. 9-12, and the broken lines showing a user and a mask in FIG. 13 are included for the purpose of illustrating environmental structure and form no part of the claimed design.

1 Claim, 13 Drawing Sheets



(56)

References Cited

U.S. PATENT DOCUMENTS

D343,088 S * 1/1994 Owens D6/601
 D376,946 S * 12/1996 Maxim D6/596
 D406,457 S * 3/1999 De Baschmakoff D3/246
 D419,292 S * 1/2000 Barre D3/246
 6,493,891 B1 * 12/2002 Livingston A45C 9/00
 5/636
 6,519,796 B2 2/2003 Sloom
 D532,601 S * 11/2006 Siegal D3/205
 D615,793 S * 5/2010 Hain D6/601
 8,327,483 B1 * 12/2012 Zamora A47G 9/10
 5/636
 D688,442 S * 8/2013 Lesinski D2/719
 8,893,332 B2 11/2014 Kavovit
 D858,991 S * 9/2019 Simpson D3/301
 D920,007 S * 5/2021 Frazier D6/601
 2005/0204501 A1 * 9/2005 Golec A47K 10/02
 15/209.1

2008/0201855 A1 * 8/2008 Groves A47D 5/006
 5/904
 2013/0125307 A1 * 5/2013 Margalit A47K 10/02
 5/417
 2019/0008265 A1 * 1/2019 Mitchell A45F 3/02
 2021/0030160 A1 * 2/2021 Porter A61F 9/04

OTHER PUBLICATIONS

Amazon.ca, Site visited Jan. 10, 2024, Everyday Kids Toddler Nap Mat with Removable Pillow, Date first available, Aug. 16, 2019, <https://www.amazon.ca/EVERYDAY-KIDS-Toddler-Removable-Pillow/dp/B07W4F7XQJ> (Year: 2019).*

Amazon.ca, Site visited Jan. 10, 2024, Vaslon Extra Large Outdoor Waterproof Picnic Blanket Tote, Date first available, Aug. 22, 2019, <https://www.amazon.ca/VASLON-Waterproof-Sandproof-Water-Resistant-145x200cm/dp/B07WTV23FT> (Year: 2019).*

* cited by examiner

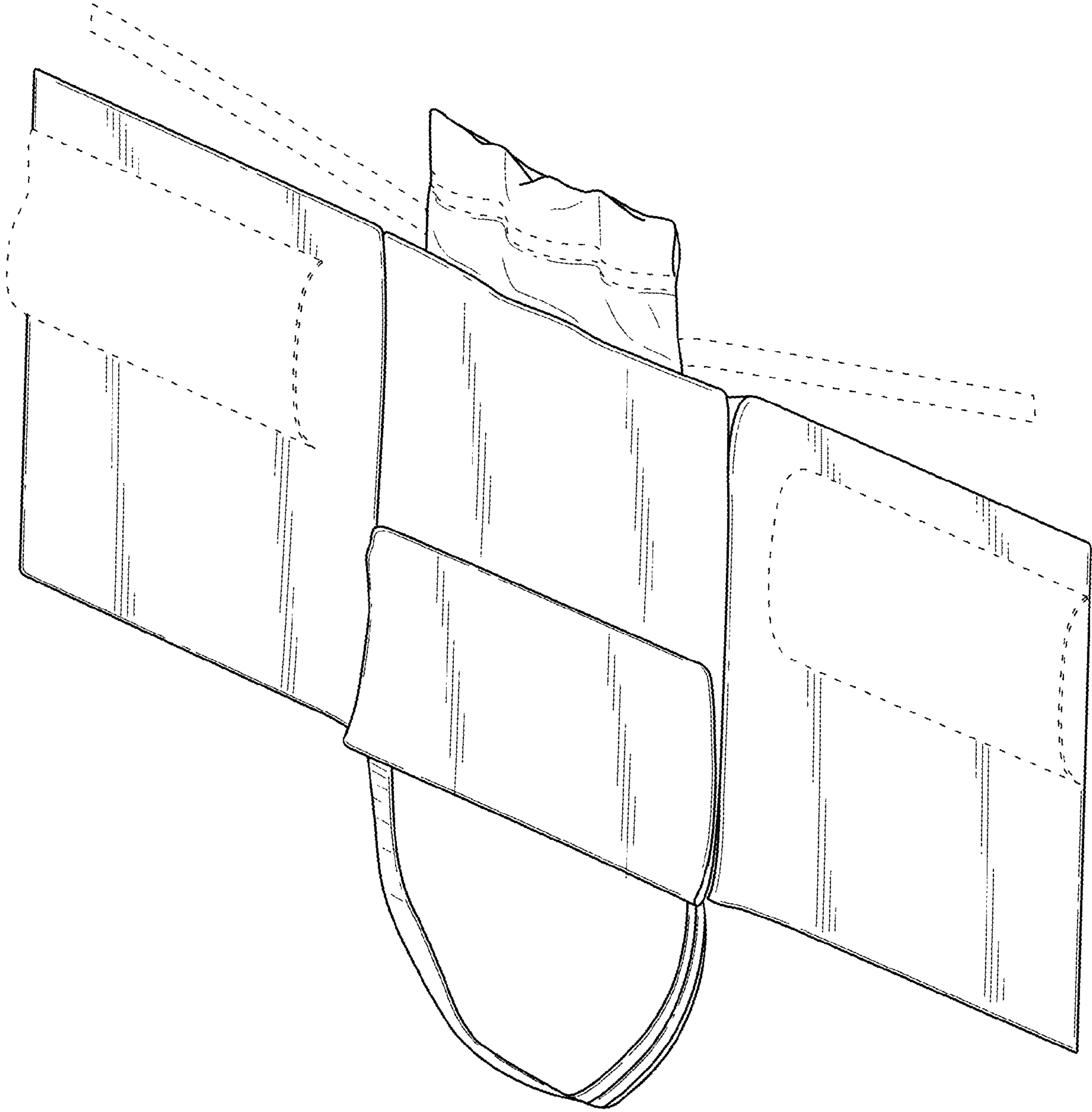


FIG. 1

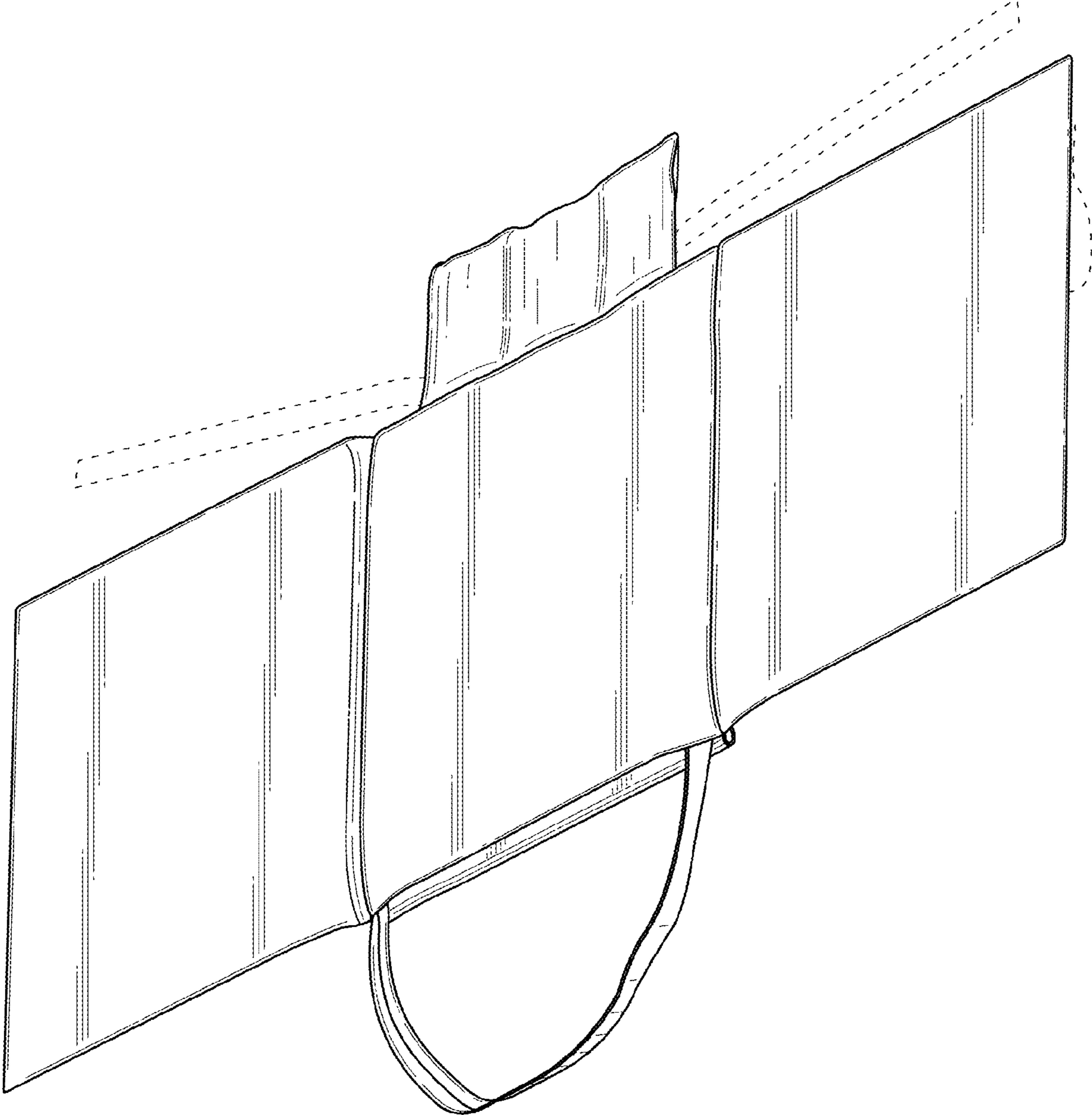


FIG. 2

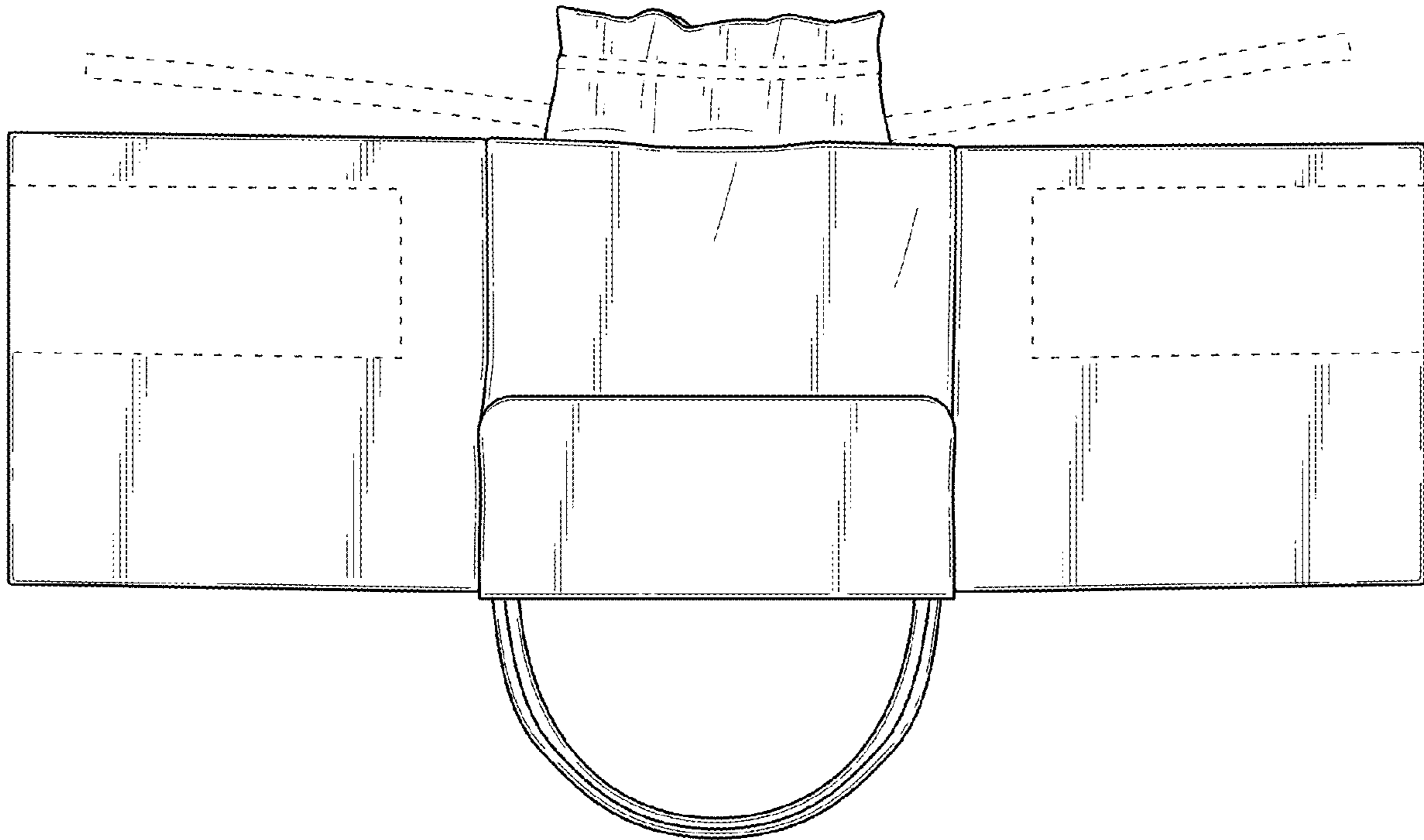


FIG. 3

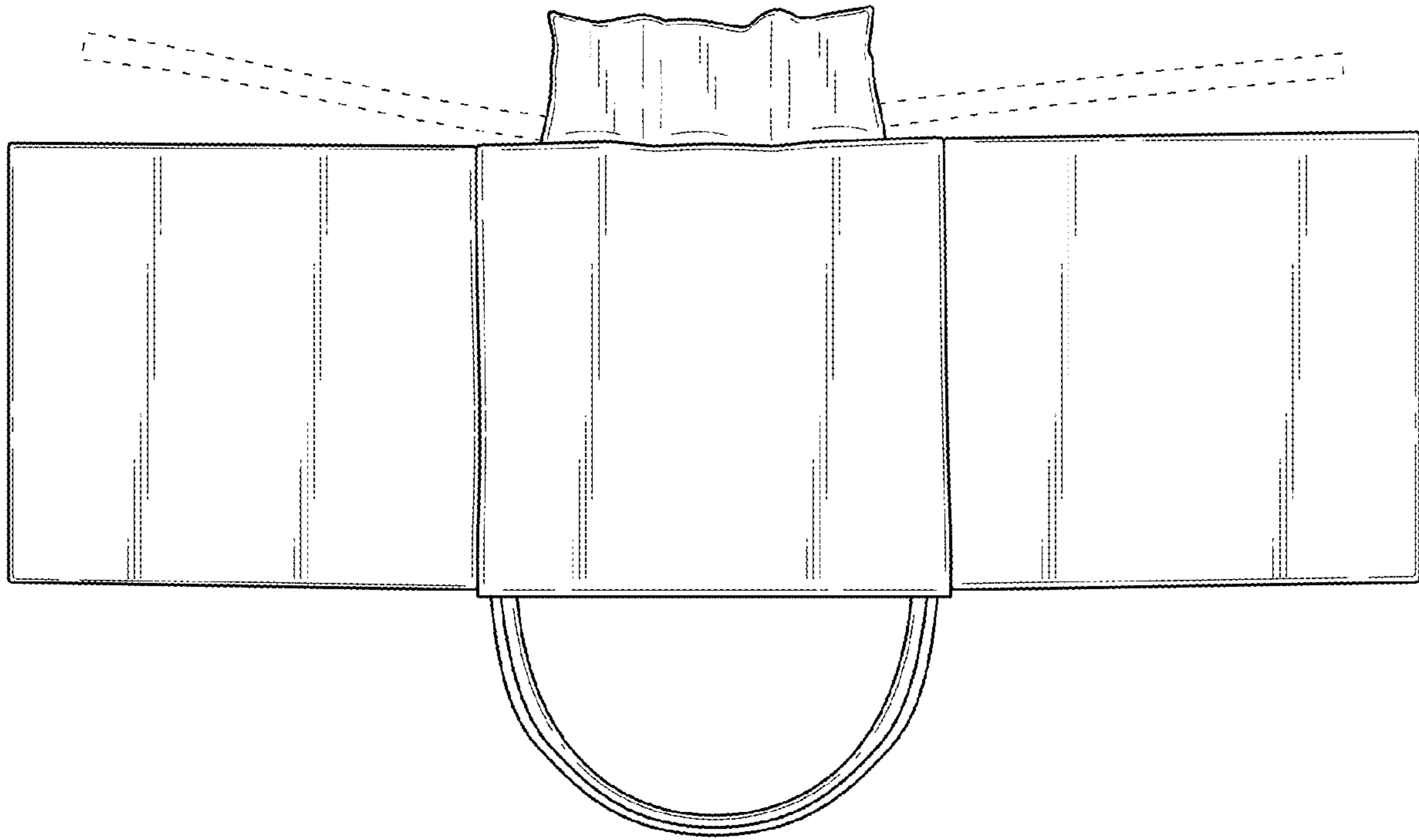


FIG. 4

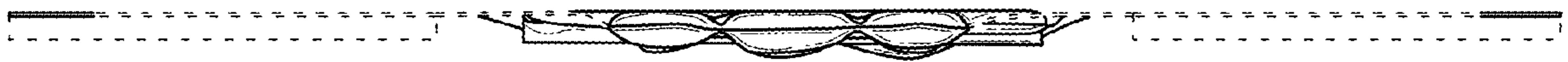


FIG. 5



FIG. 6



FIG. 7



FIG. 8

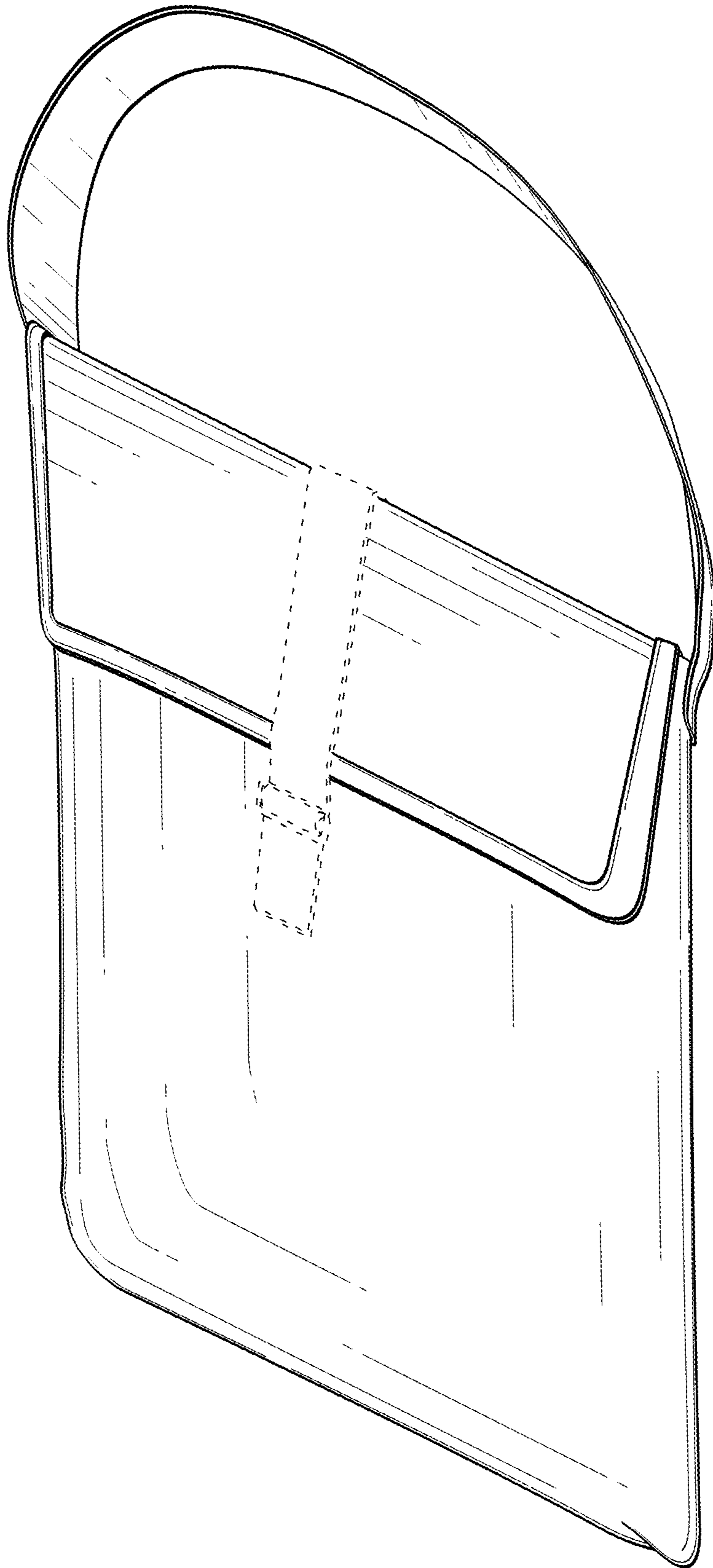


FIG. 9

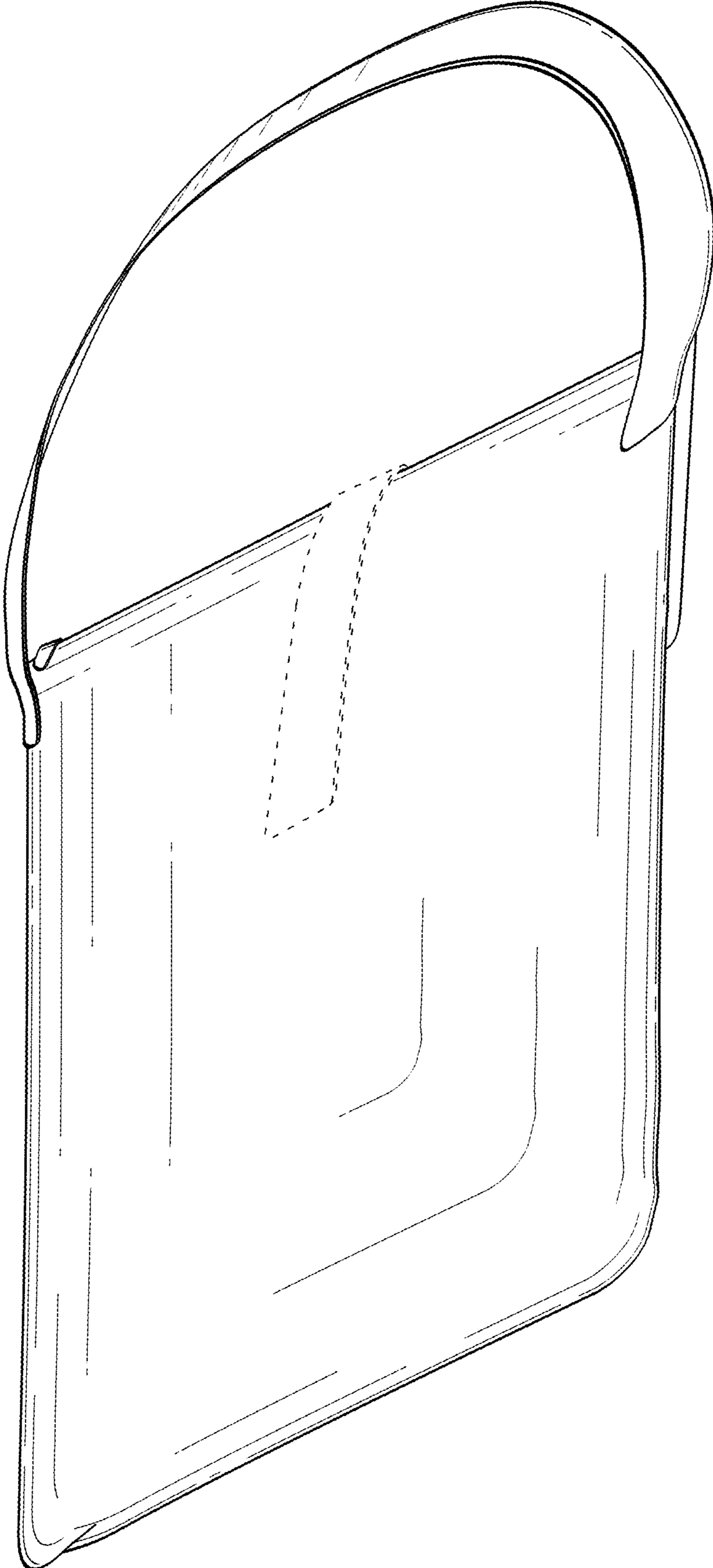


FIG. 10

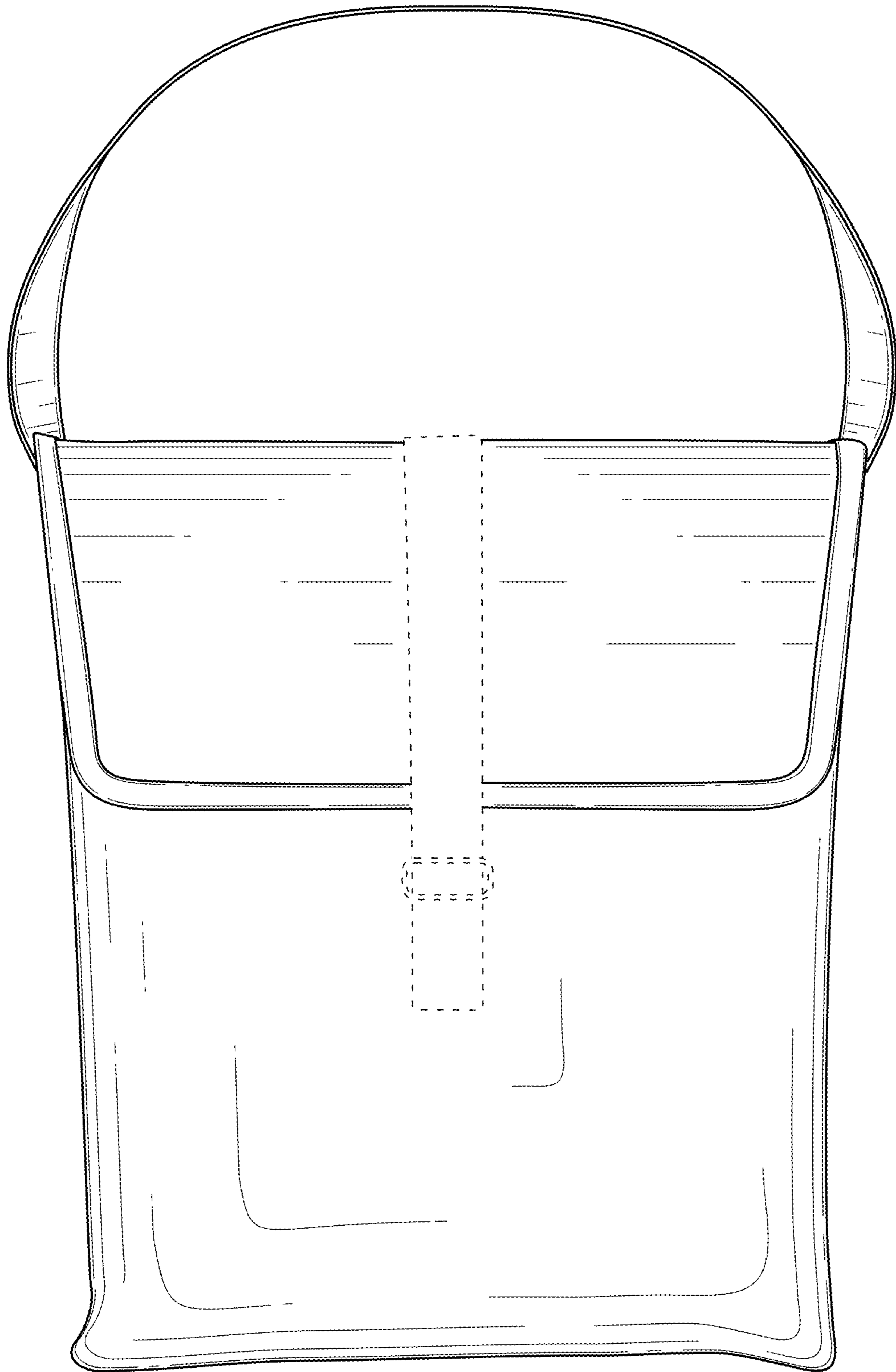


FIG. 11

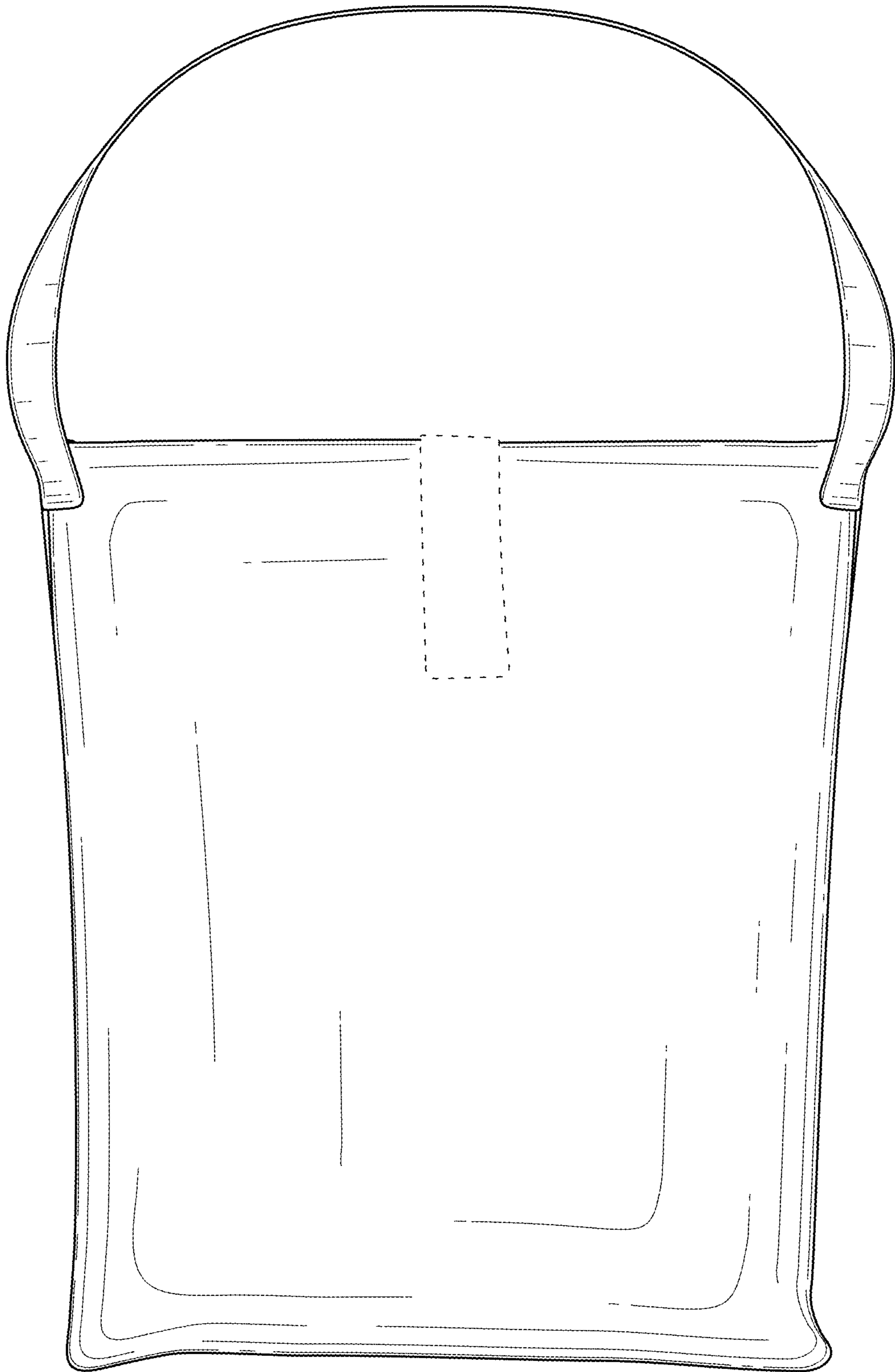


FIG. 12



FIG. 13