



US0D1055291S

(12) **United States Design Patent** (10) **Patent No.:** **US D1,055,291 S**
Hernandez (45) **Date of Patent:** **** Dec. 24, 2024**

(54) **ULTRASOUND TRANSDUCER**

(71) Applicant: **Lazaro Eduardo Hernandez**, Cooper City, FL (US)

(72) Inventor: **Lazaro Eduardo Hernandez**, Cooper City, FL (US)

(**) Term: **15 Years**

(21) Appl. No.: **29/954,765**

(22) Filed: **Jul. 29, 2024**

Related U.S. Application Data

(63) Continuation-in-part of application No. 18/651,196, filed on Apr. 30, 2024, which is a continuation-in-part of application No. 18/471,150, filed on Sep. 20, 2023, which is a continuation-in-part of application No. 17/935,505, filed on Sep. 26, 2022, now Pat. No. 11,957,505, which is a continuation-in-part of application No. 17/210,013, filed on Mar. 23, 2021, now Pat. No. 11,457,889.

(51) **LOC (14) Cl.** **24-01**

(52) **U.S. Cl.**
USPC **D24/187**

(58) **Field of Classification Search**
USPC D24/187, 185, 186, 133, 158
CPC A61B 8/06; A61B 8/08; A61B 8/42; A61B 8/4272; A61B 8/44; A61B 8/4433; A61B 8/4483; A61B 8/4494; A61B 8/52; A61B 8/5207; A61B 8/5215; A61B 8/5223; A61B 8/5238

See application file for complete search history.

(56) **References Cited**

U.S. PATENT DOCUMENTS

4,796,632 A * 1/1989 Boyd A61B 8/4281
73/644
5,487,388 A * 1/1996 Rello A61B 8/08
128/916

D403,421 S * 12/1998 Cody D24/186
D686,328 S 7/2013 Wung et al.
D687,153 S * 7/2013 Torzilli D24/187
D743,040 S * 11/2015 Corbett, III D24/187
D782,684 S 3/2017 Pippel et al.
D811,605 S * 2/2018 Chang D24/187
D880,703 S * 4/2020 Emery D24/187
D887,562 S 6/2020 de Jonge et al.
D896,973 S 9/2020 Wight et al.
D900,325 S * 10/2020 Emery D24/187
D914,220 S 3/2021 Nieminen et al.
D926,997 S 8/2021 Nieminen et al.
2014/0276055 A1 * 9/2014 Barthe A61B 8/4466
600/439

(Continued)

Primary Examiner — Daniel J Domino

Assistant Examiner — Lee D. Starr

(57) **CLAIM**

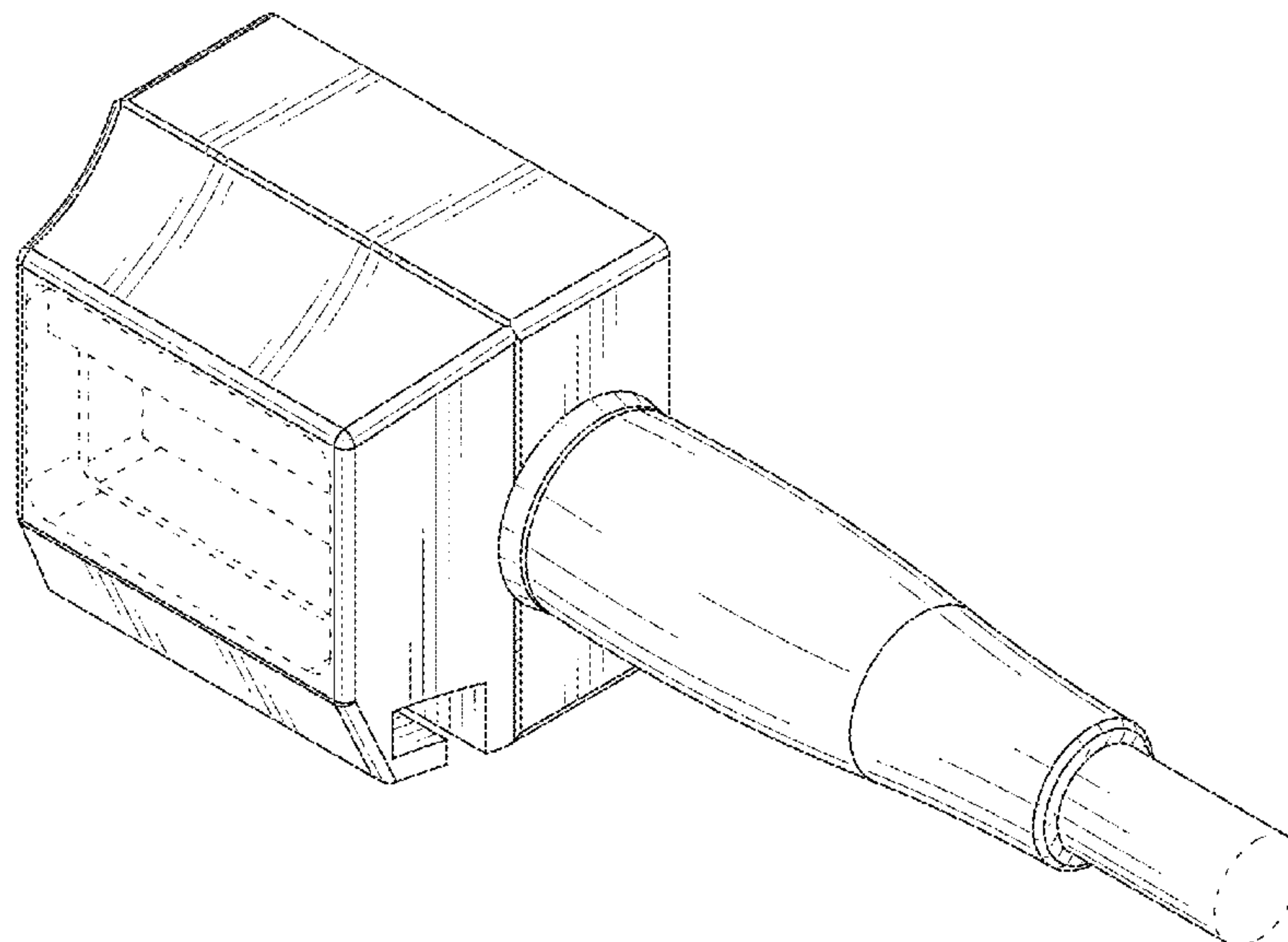
The ornamental design for an ultrasound transducer, as shown and described.

DESCRIPTION

FIG. 1 is a top-front-left perspective view of an ultrasound transducer showing my new design;
FIG. 2 is a bottom-front-left perspective view thereof;
FIG. 3 is a top-rear-right perspective view thereof;
FIG. 4 is a bottom-rear-right perspective view thereof;
FIG. 5 is a front elevational view thereof;
FIG. 6 is a rear elevational view thereof;
FIG. 7 is a top plan view thereof;
FIG. 8 is a bottom plan view thereof;
FIG. 9 is a right elevational view thereof; and,
FIG. 10 is a left elevational view thereof.

The broken lines showing internal components in FIGS. 1, 2, and 5, and the broken lines showing a cable end in FIGS. 1-8 and 10 are included for the purpose of illustrating environmental structure and form no part of the claimed design.

1 Claim, 10 Drawing Sheets



(56)

References Cited

U.S. PATENT DOCUMENTS

2017/0172543 A1* 6/2017 Sato A61B 8/4483
2021/0085282 A1* 3/2021 Prince A61B 8/06
2022/0233163 A1* 7/2022 Hernandez A61B 8/12
2022/0287677 A1* 9/2022 Fenster A61B 8/4209

* cited by examiner

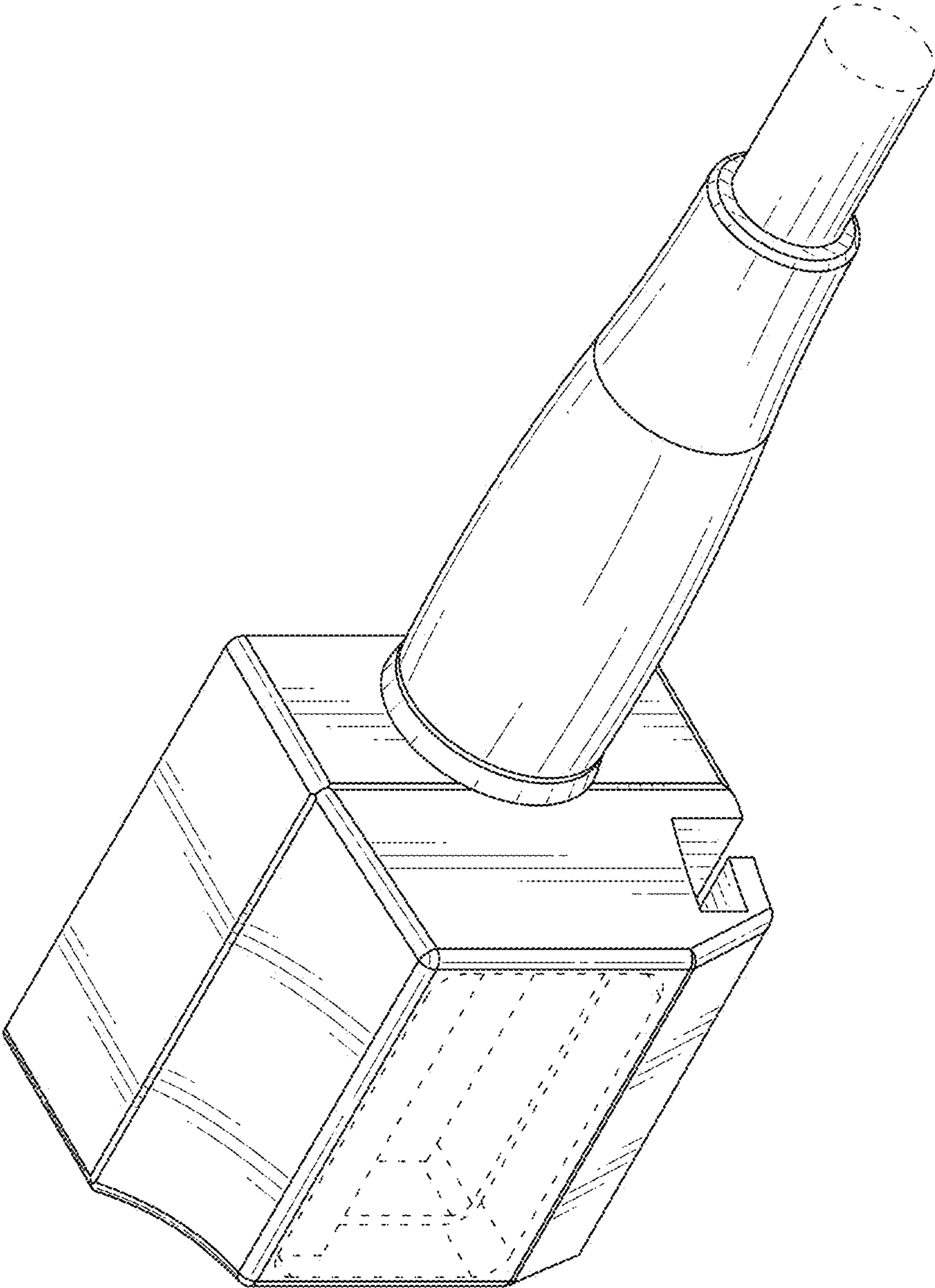


FIG. 1

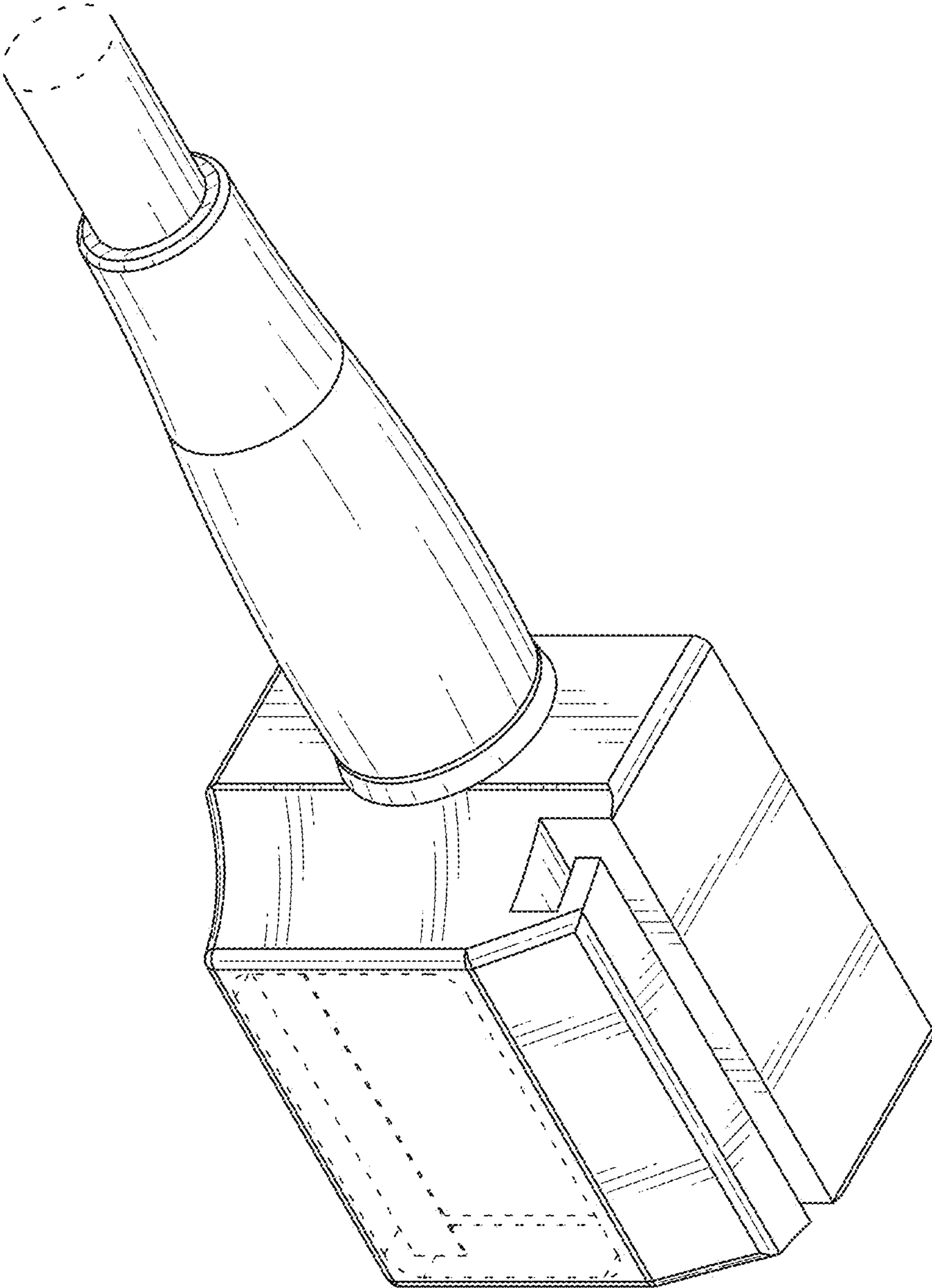


FIG. 2

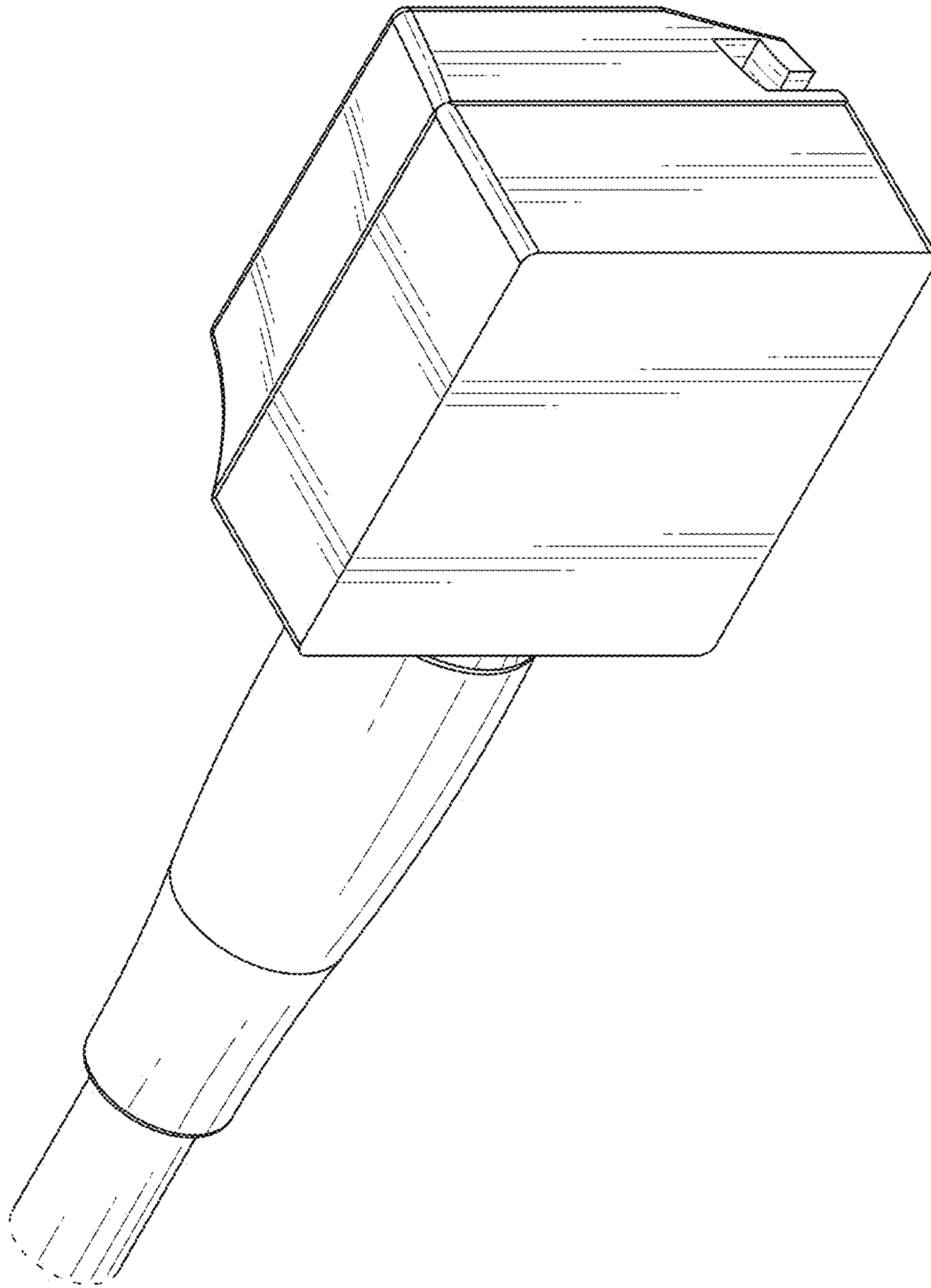


FIG. 3

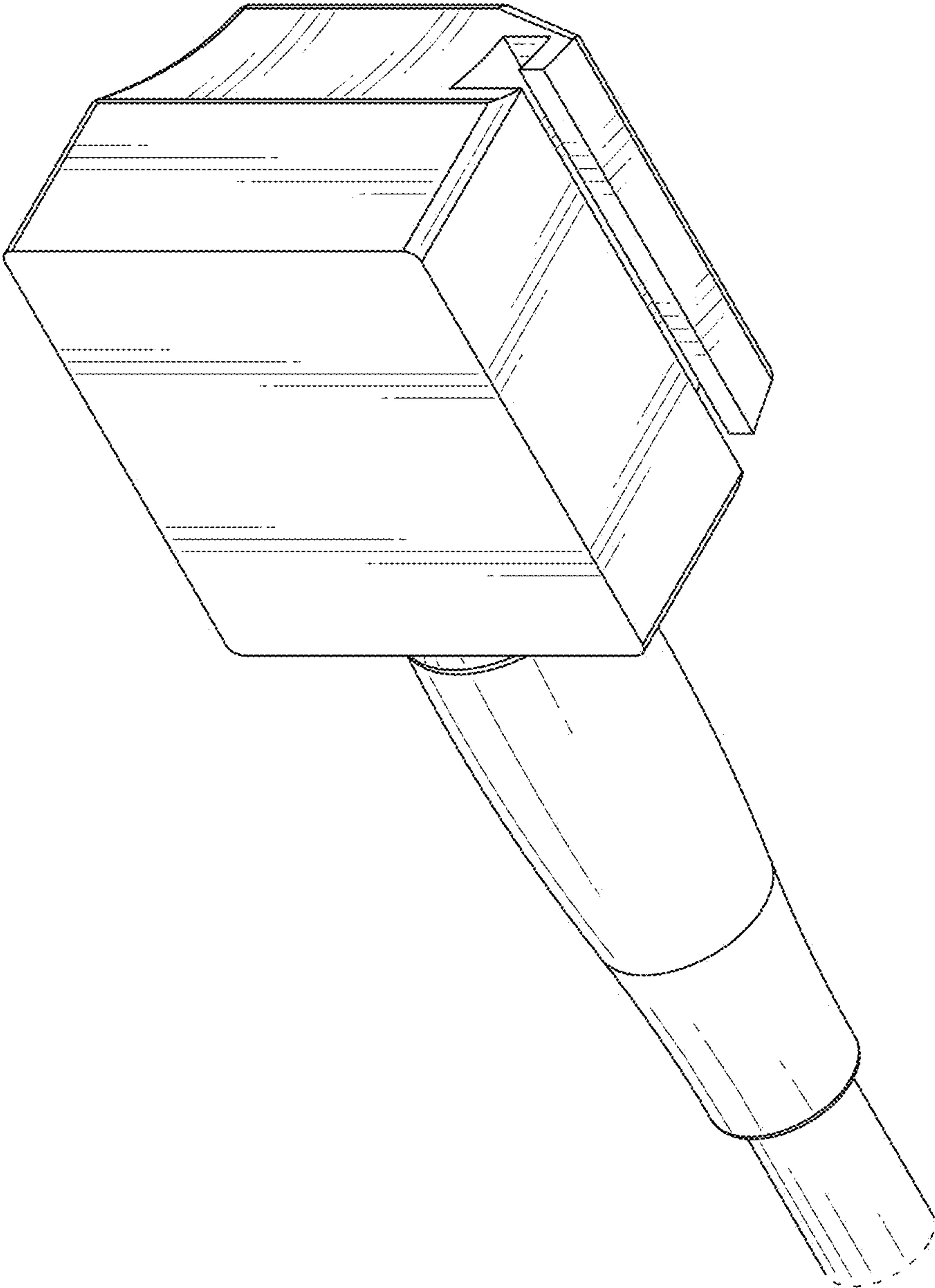


FIG. 4

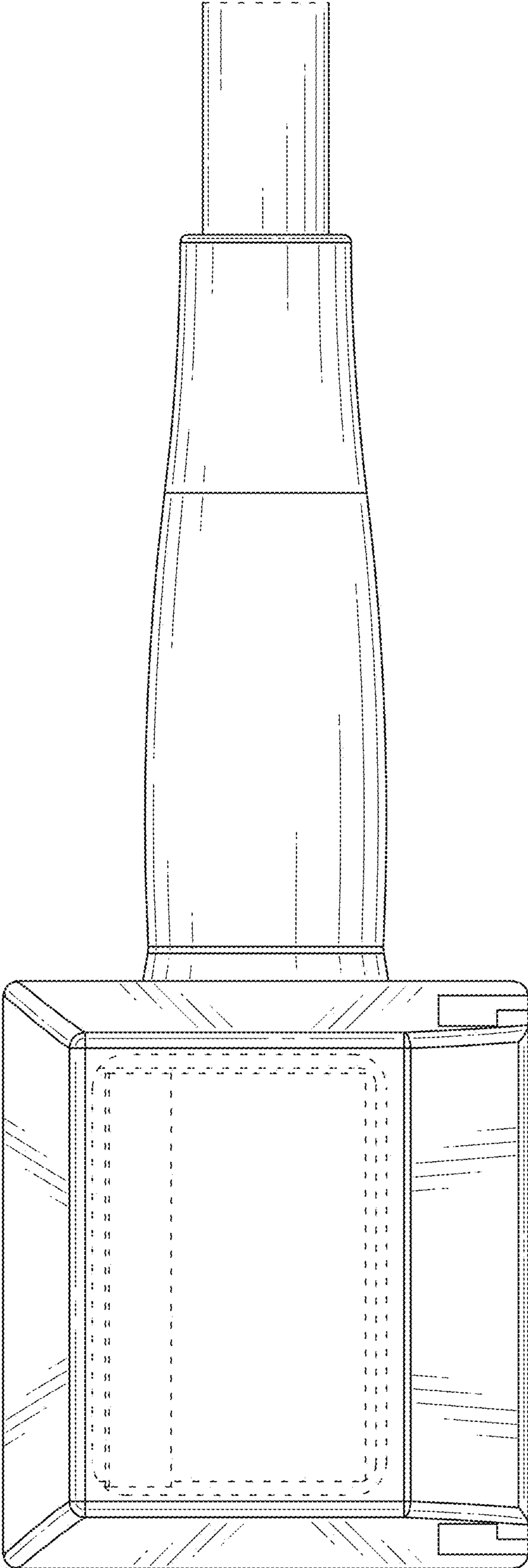


FIG. 5

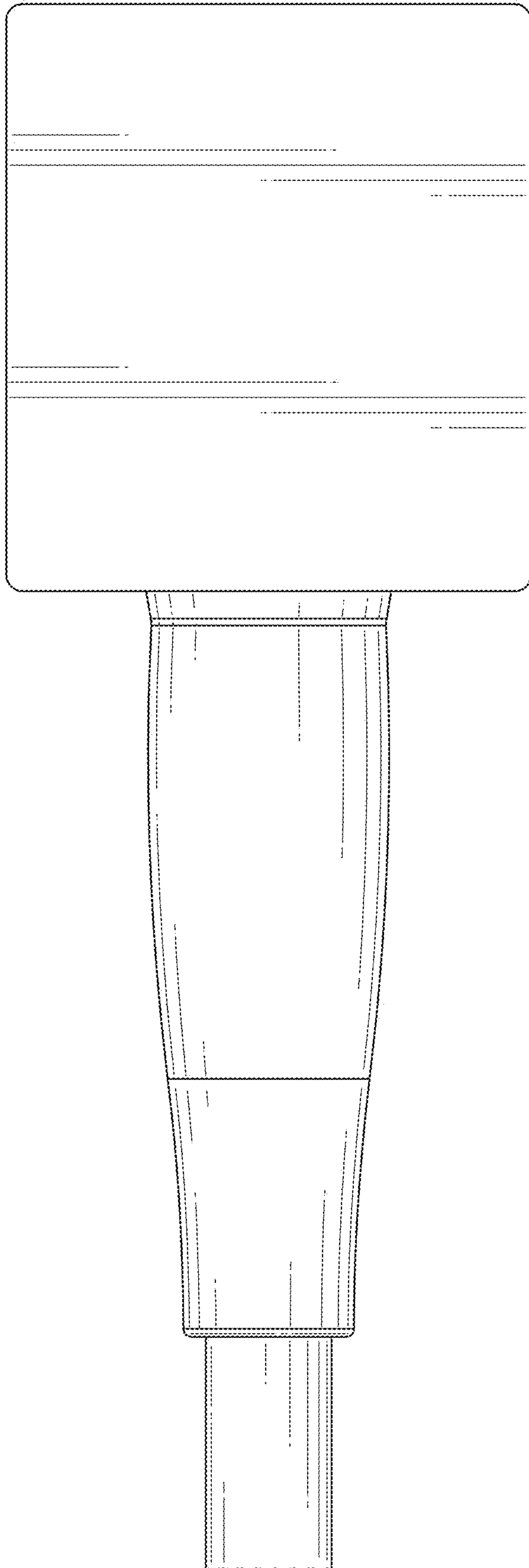


FIG. 6

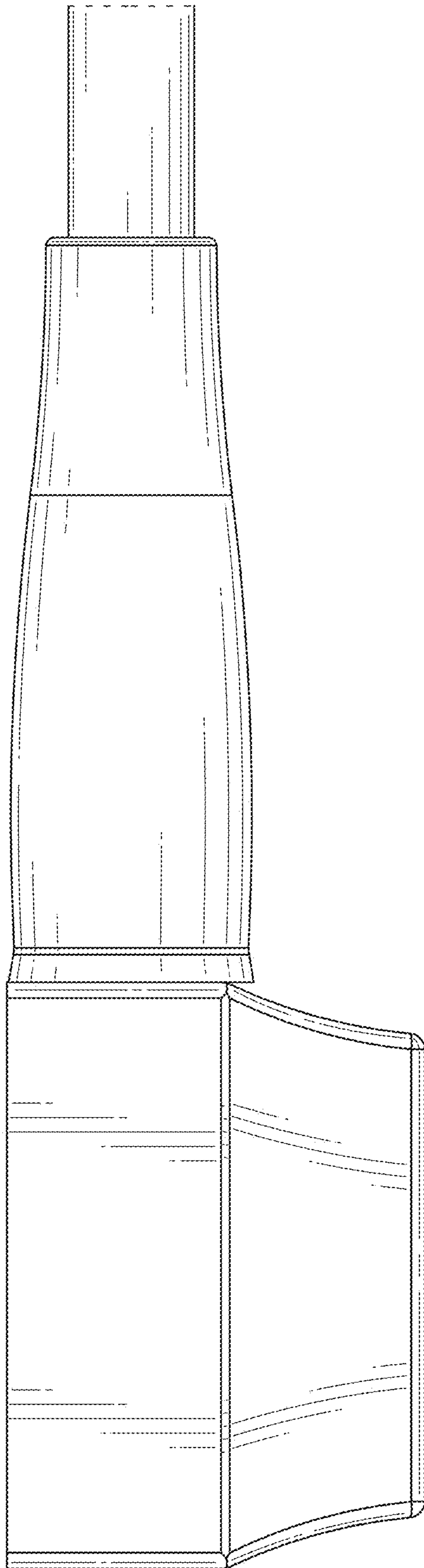


FIG. 7

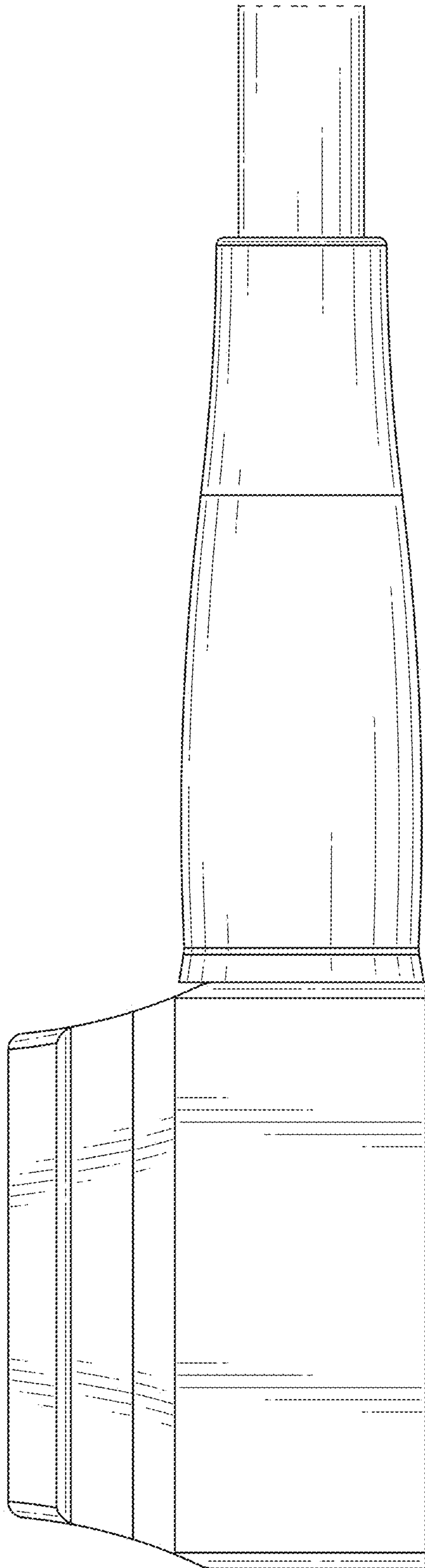


FIG. 8

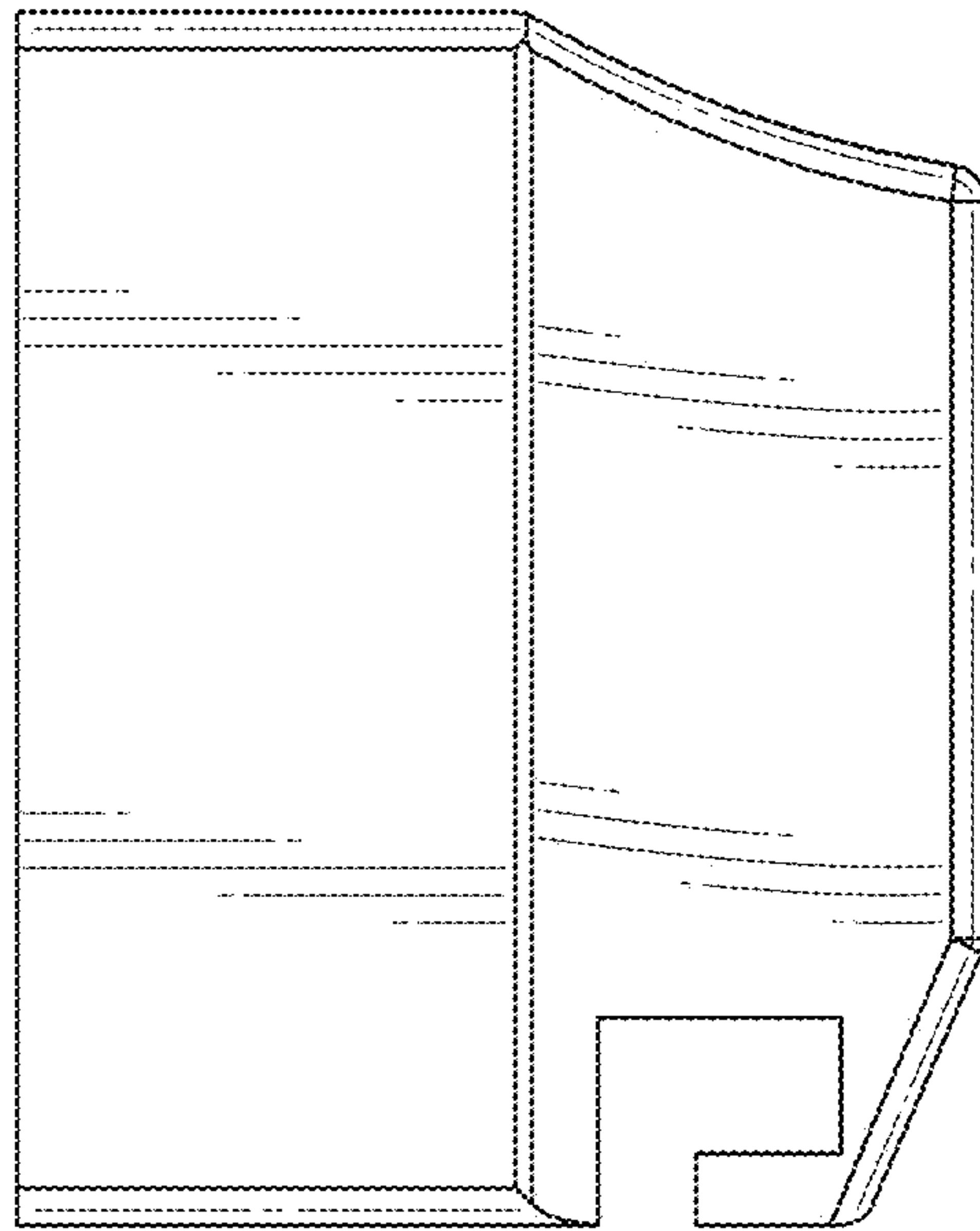


FIG. 9

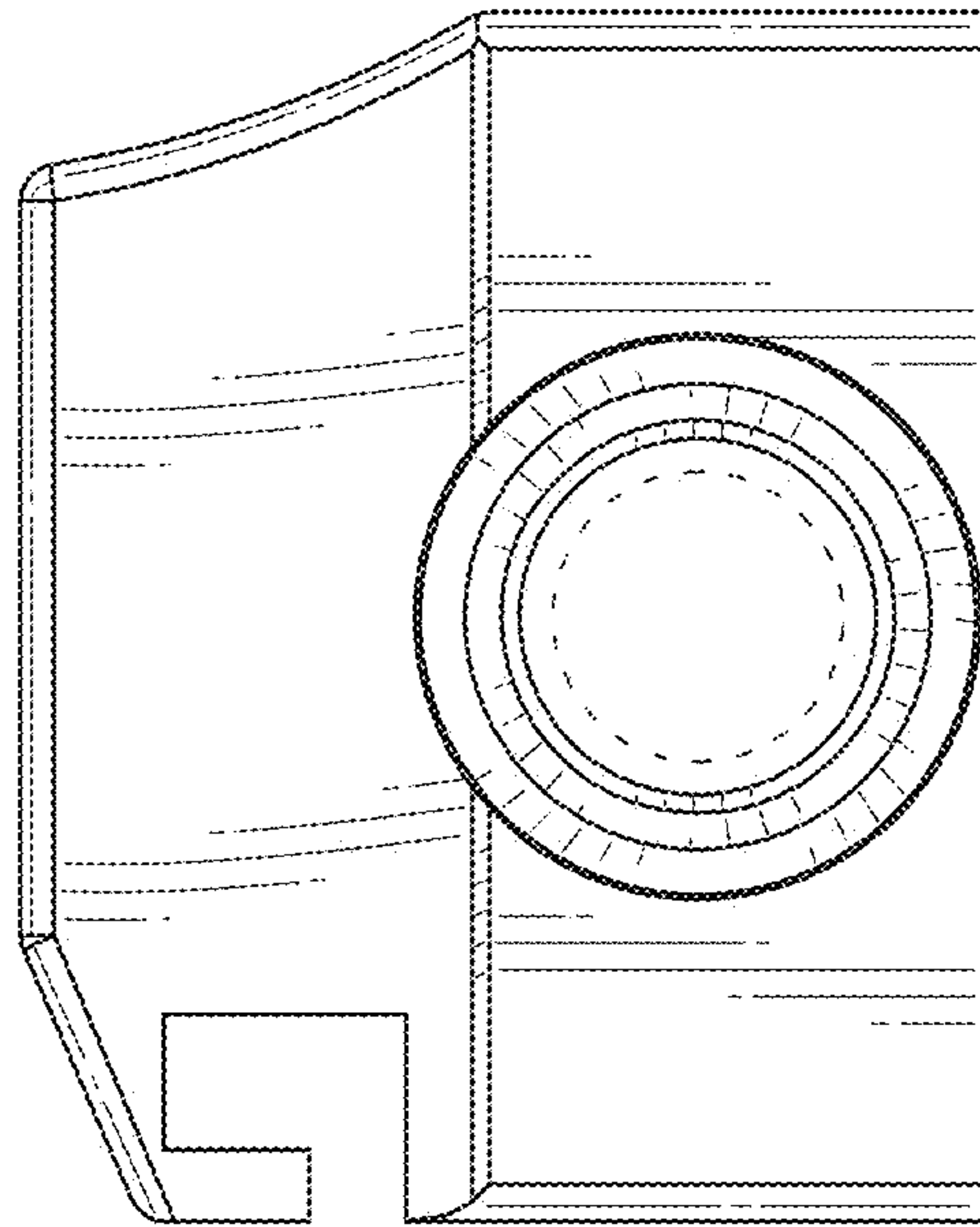


FIG. 10