



US0D1055189S

(12) **United States Design Patent** (10) **Patent No.:** **US D1,055,189 S**
Hallack et al. (45) **Date of Patent:** **** Dec. 24, 2024**

(54) **GOLF CLUB HEAD**
(71) Applicant: **Topgolf International, Inc.**, Dallas, TX (US)
(72) Inventors: **Michael Hallack**, Carlsbad, CA (US); **Matt Kovacevich**, Carlsbad, CA (US)
(73) Assignee: **Topgolf International, Inc.**, Dallas, TX (US)

D487,125 S * 2/2004 Burrows D21/752
D489,105 S * 4/2004 Kim D21/733
D509,552 S * 9/2005 Madore D21/752
D524,890 S * 7/2006 Foster D21/752
D529,112 S * 9/2006 Tang D21/752
D534,230 S * 12/2006 Tang D21/752
7,166,038 B2 * 1/2007 Williams A63B 60/00
473/345
D549,293 S * 8/2007 Rice D21/752
D556,280 S * 11/2007 Madore D21/752
(Continued)

(**) Term: **15 Years**

FOREIGN PATENT DOCUMENTS

(21) Appl. No.: **29/893,181**

WO WO-2006073930 A2 * 7/2006 A63B 53/02

(22) Filed: **May 25, 2023**

OTHER PUBLICATIONS

(51) **LOC (14) Cl.** **21-02**
(52) **U.S. Cl.**
USPC **D21/733**

Golf driver google search; google.com; Sep. 13, 2024.*
(Continued)

(58) **Field of Classification Search**
USPC D21/733, 752, 759
CPC A63B 53/00; A63B 53/04; A63B 53/0466;
A63B 2053/0445; A63B 2053/0433;
A63B 2053/0491; A63B 2053/0437;
A63B 60/00; A63B 60/46
See application file for complete search history.

Primary Examiner — Mitchell I. Siegel
(74) *Attorney, Agent, or Firm* — Michael A. Catania

(57) **CLAIM**

The ornamental design for a golf club head, as shown and described.

(56) **References Cited**

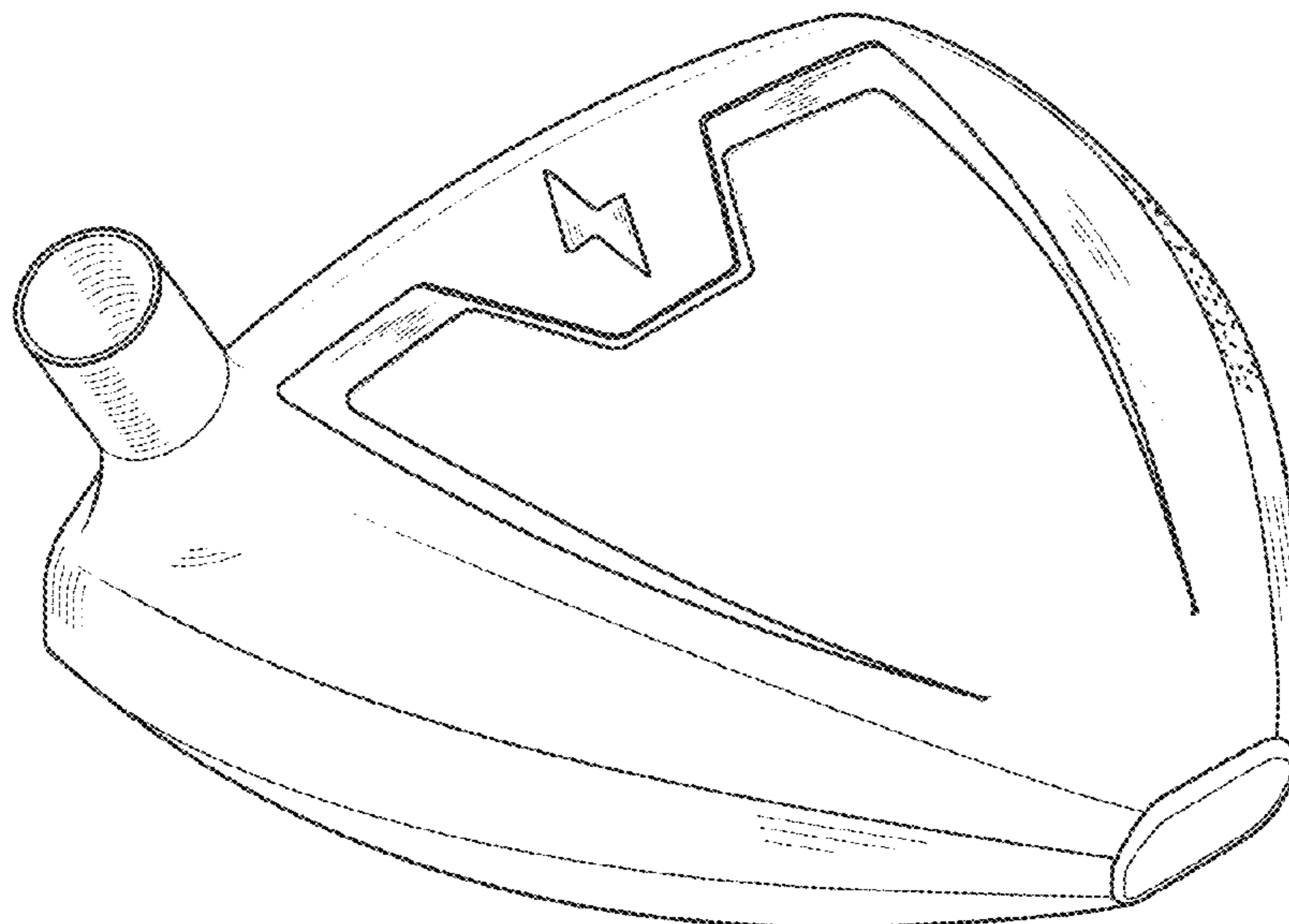
DESCRIPTION

U.S. PATENT DOCUMENTS

D146,431 S * 3/1947 Liolich 473/341
5,221,086 A * 6/1993 Antonious A63B 53/0466
473/327
D356,130 S * 3/1995 Schield D21/733
D363,748 S * 10/1995 Iinuma D21/752
D363,961 S * 11/1995 Krzynowek D21/752
D387,112 S * 12/1997 Fabre, Jr. D21/752
D422,659 S * 4/2000 Mertens D21/752
6,074,308 A * 6/2000 Domas A63B 53/04
473/349
D460,991 S * 7/2002 Madore D21/759
D461,215 S * 8/2002 Madore D21/759
D482,421 S * 11/2003 Kessler D21/759

FIG. 1 is a rear elevation view of a golf club head;
FIG. 2 is a front elevation view thereof;
FIG. 3 is a top plan view thereof;
FIG. 4 is a bottom plan view thereof;
FIG. 5 is a toe-side elevation view thereof;
FIG. 6 is a heel-side elevation view thereof;
FIG. 7 is a top perspective view thereof; and,
FIG. 8 is a top perspective view of the golf club head connected to a shaft in broken lines.
The broken lines shown in the drawings form no part of the claimed design.

1 Claim, 6 Drawing Sheets



(56)

References Cited

U.S. PATENT DOCUMENTS

7,291,075	B2 *	11/2007	Williams	A63B 60/00	473/345
7,306,527	B2 *	12/2007	Williams	A63B 60/00	473/345
7,311,613	B2 *	12/2007	Stevens	A63B 53/02	473/335
7,390,269	B2 *	6/2008	Williams	A63B 53/02	473/345
D574,913	S *	8/2008	Tang	D21/752	
7,407,448	B2 *	8/2008	Stevens	A63B 53/0466	473/335
D577,090	S *	9/2008	Pergande	D21/759	
7,419,440	B2 *	9/2008	Williams	A63B 60/00	473/345
7,455,598	B2 *	11/2008	Williams	A63B 60/02	473/335
D584,369	S *	1/2009	Hooley	D21/733	
D584,782	S *	1/2009	Barez	D21/759	
D584,783	S *	1/2009	Barez	D21/759	
D584,784	S *	1/2009	Barez	D21/759	
7,476,161	B2 *	1/2009	Williams	A63B 60/02	473/335
7,494,424	B2 *	2/2009	Williams	A63B 60/00	473/335
D588,220	S *	3/2009	Ferguson	D21/759	
D592,723	S *	5/2009	Chau	D21/759	
D594,519	S *	6/2009	Chau	D21/752	
D595,381	S *	6/2009	Waggoner	D21/759	
7,549,935	B2 *	6/2009	Foster	A63B 53/0466	473/335
7,578,751	B2 *	8/2009	Williams	A63B 53/02	473/335
7,588,501	B2 *	9/2009	Williams	A63B 53/0466	473/335
7,637,822	B2 *	12/2009	Foster	A63B 53/0466	473/335
7,749,097	B2 *	7/2010	Foster	A63B 60/02	473/335
7,846,038	B2 *	12/2010	Foster	A63B 53/0466	473/335
D722,351	S *	2/2015	Parsons	D21/736	
9,895,585	B2 *	2/2018	Kroloff	A63B 53/0487	
D821,514	S *	6/2018	Sillies	D21/759	
D827,067	S *	8/2018	Becktor	D21/752	
D844,086	S *	3/2019	Boggs	D21/752	
D923,731	S *	6/2021	Agrella	D21/752	
11,045,698	B2 *	6/2021	Schweigert	A63B 53/0487	
D926,901	S *	8/2021	Parsons	D21/752	
D930,100	S *	9/2021	Parsons	D21/759	
D933,150	S *	10/2021	Kroloff	D21/752	
11,511,169	B2 *	11/2022	Schweigert	A63B 53/065	
D1,014,676	S *	2/2024	Kroloff	D21/759	
2006/0148586	A1 *	7/2006	Williams	A63B 53/02	473/345
2006/0148587	A1 *	7/2006	Stevens	A63B 60/02	473/345
2007/0099722	A1 *	5/2007	Stevens	A63B 60/02	473/335
2007/0117649	A1 *	5/2007	Williams	A63B 60/02	473/345
2007/0178992	A1 *	8/2007	Williams	A63B 53/02	473/349
2007/0202964	A1 *	8/2007	Williams	A63B 60/00	473/345
2008/0026871	A1 *	1/2008	Williams	A63B 53/0466	473/345
2008/0032818	A1 *	2/2008	Williams	A63B 53/0466	473/343
2008/0032820	A1 *	2/2008	Stevens	A63B 60/02	473/345
2008/0039234	A1 *	2/2008	Williams	A63B 60/02	473/345
2008/0076596	A1 *	3/2008	Williams	A63B 53/0466	473/329
2009/0075753	A1 *	3/2009	Williams	A63B 53/0466	473/349
2009/0088272	A1 *	4/2009	Foster	A63B 60/00	473/345
2009/0156326	A1 *	6/2009	Williams	A63B 60/00	473/334
2009/0253532	A1 *	10/2009	Foster	A63B 60/00	473/345
2010/0093464	A1 *	4/2010	Foster	A63B 53/0466	473/345
2010/0273571	A1 *	10/2010	Foster	A63B 60/00	473/345
2019/0314690	A1 *	10/2019	Schweigert	A63B 53/04	
2020/0155909	A1 *	5/2020	Schweigert	A63B 53/02	
2020/0215397	A1 *	7/2020	Parsons	A63B 53/0466	
2020/0230471	A1 *	7/2020	Parsons	A63B 60/02	
2021/0128996	A1 *	5/2021	Kroloff	A63B 60/02	
2021/0299527	A1 *	9/2021	Schweigert	A63B 53/10	
2022/0152462	A1 *	5/2022	Kroloff	A63B 53/0466	
2023/0044263	A1 *	2/2023	Schweigert	A63B 60/02	
2023/0264078	A1 *	8/2023	Nicolette	A63B 53/0466	29/592

OTHER PUBLICATIONS

Callaway golf driver google search; google.com; Sep. 13, 2024.*
 Fairway wood google search; google.com; Sep. 13, 2024.*
 Callaway fairway wood google search; google.com; Sep. 13, 2024.*
 Topgolf driver google search; google.com; Sep. 13, 2024.*
 callawaygolf.com; drivers; Sep. 13, 2024.*
 callawaygolf.com; fairway woods; Sep. 13, 2024.*

* cited by examiner

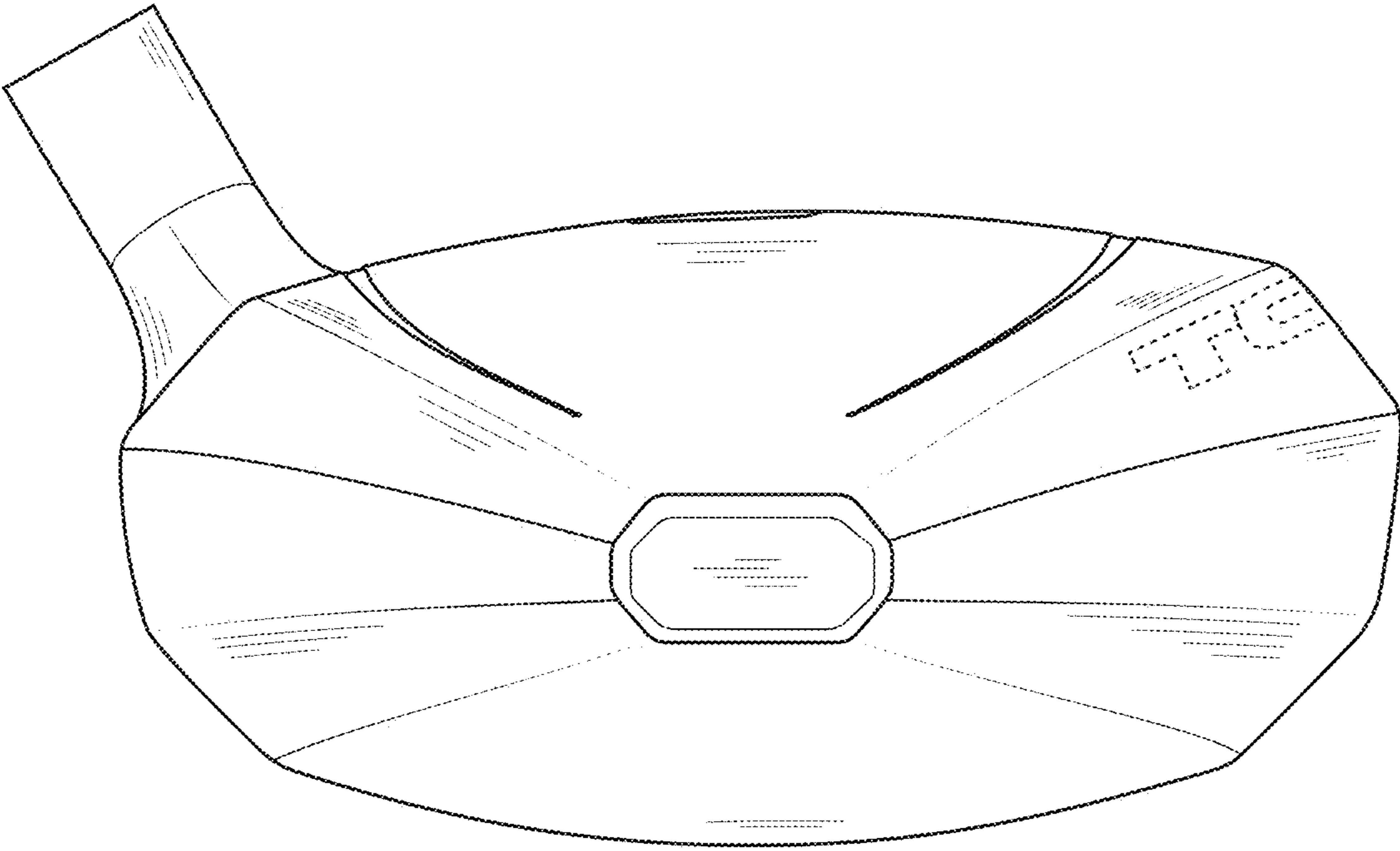


FIG. 1

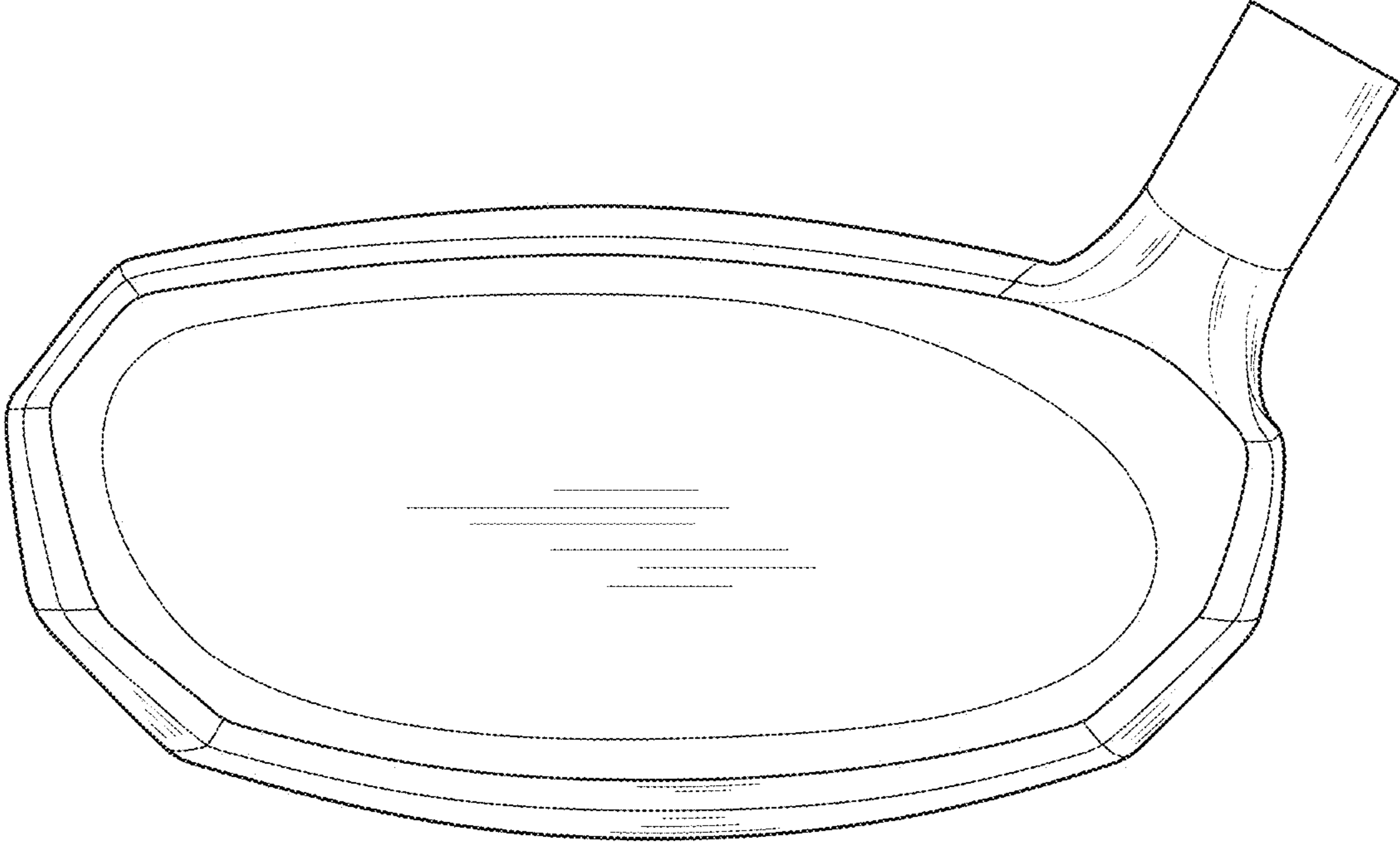


FIG. 2

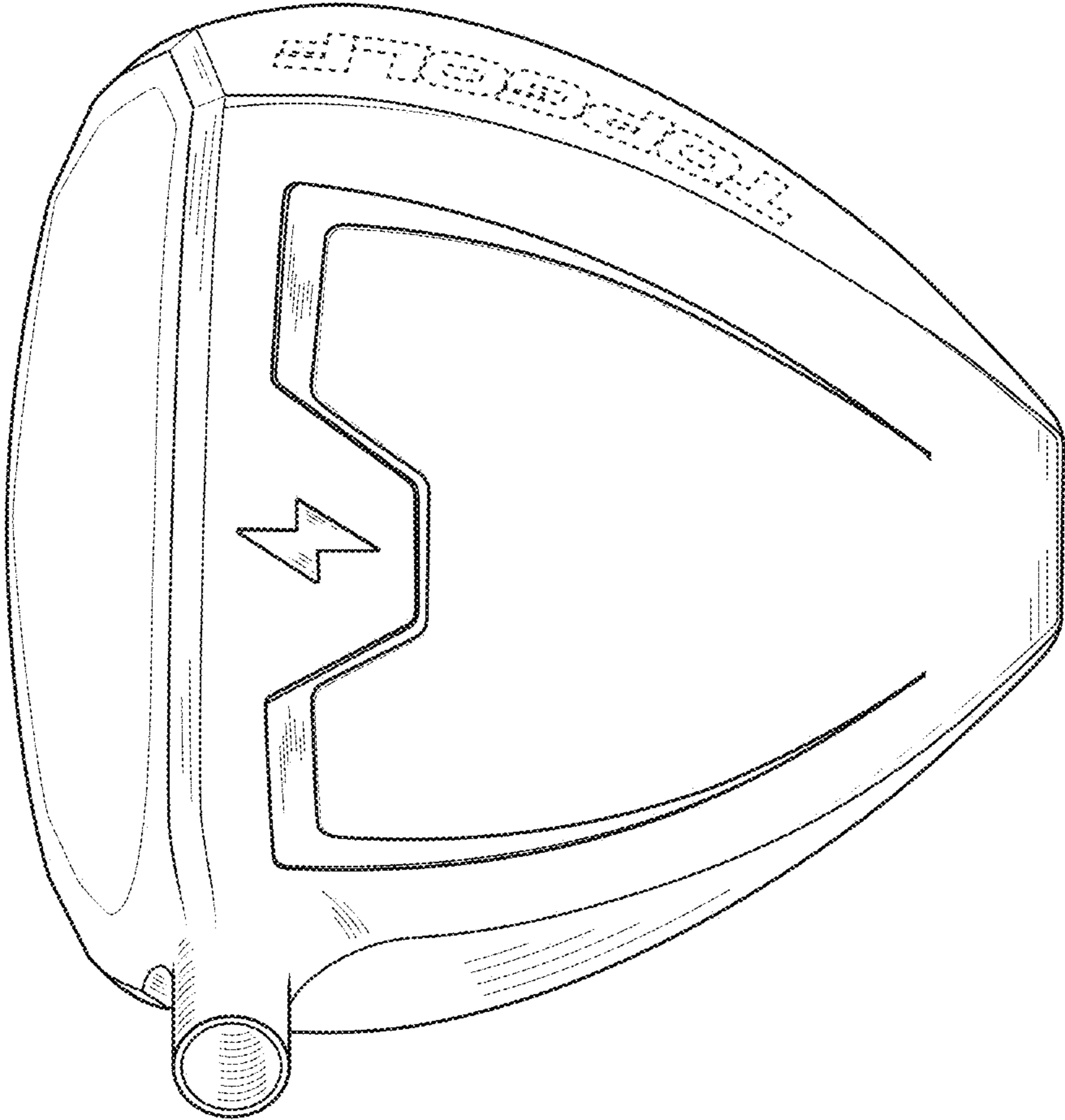


FIG. 3

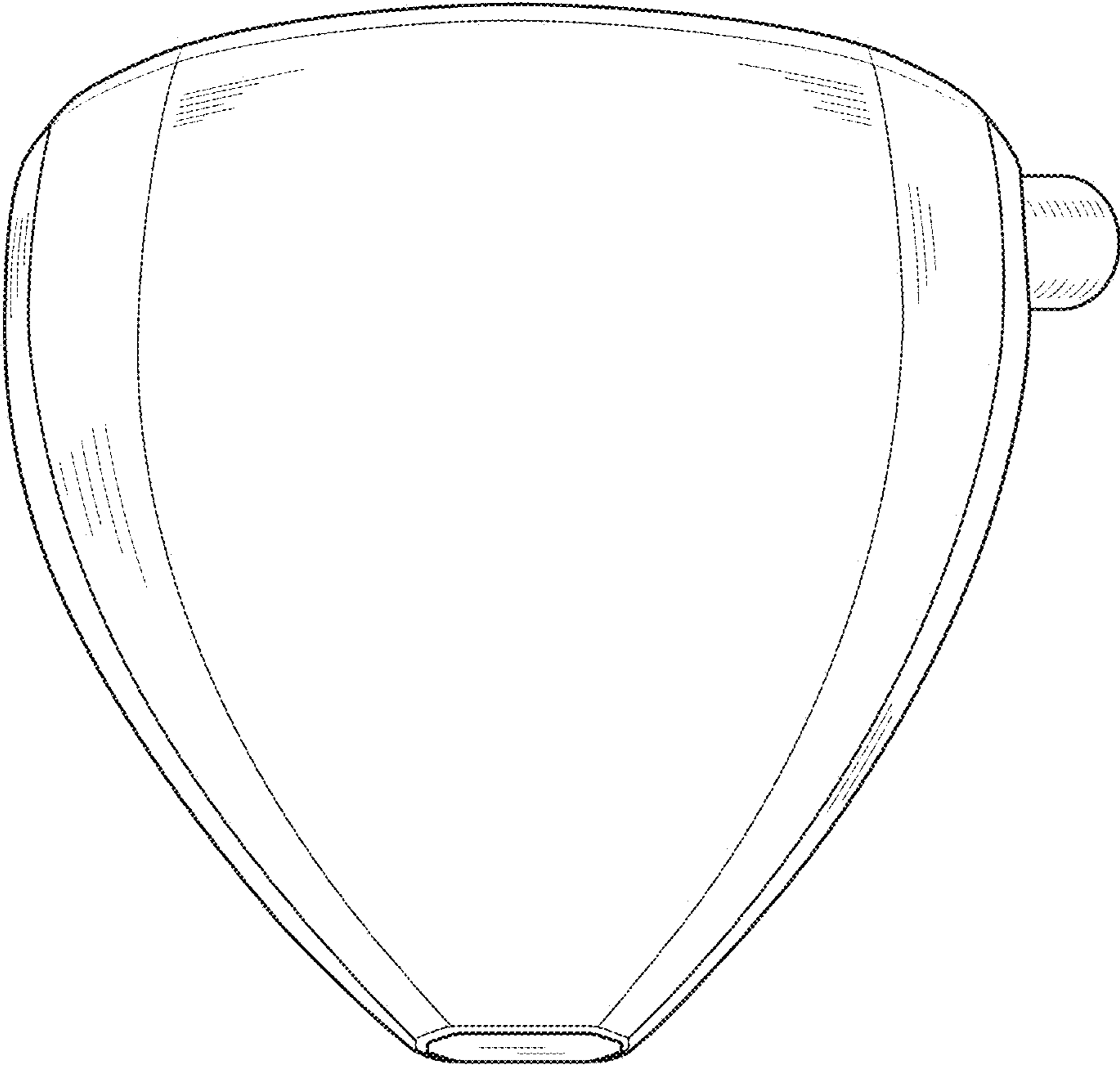


FIG. 4

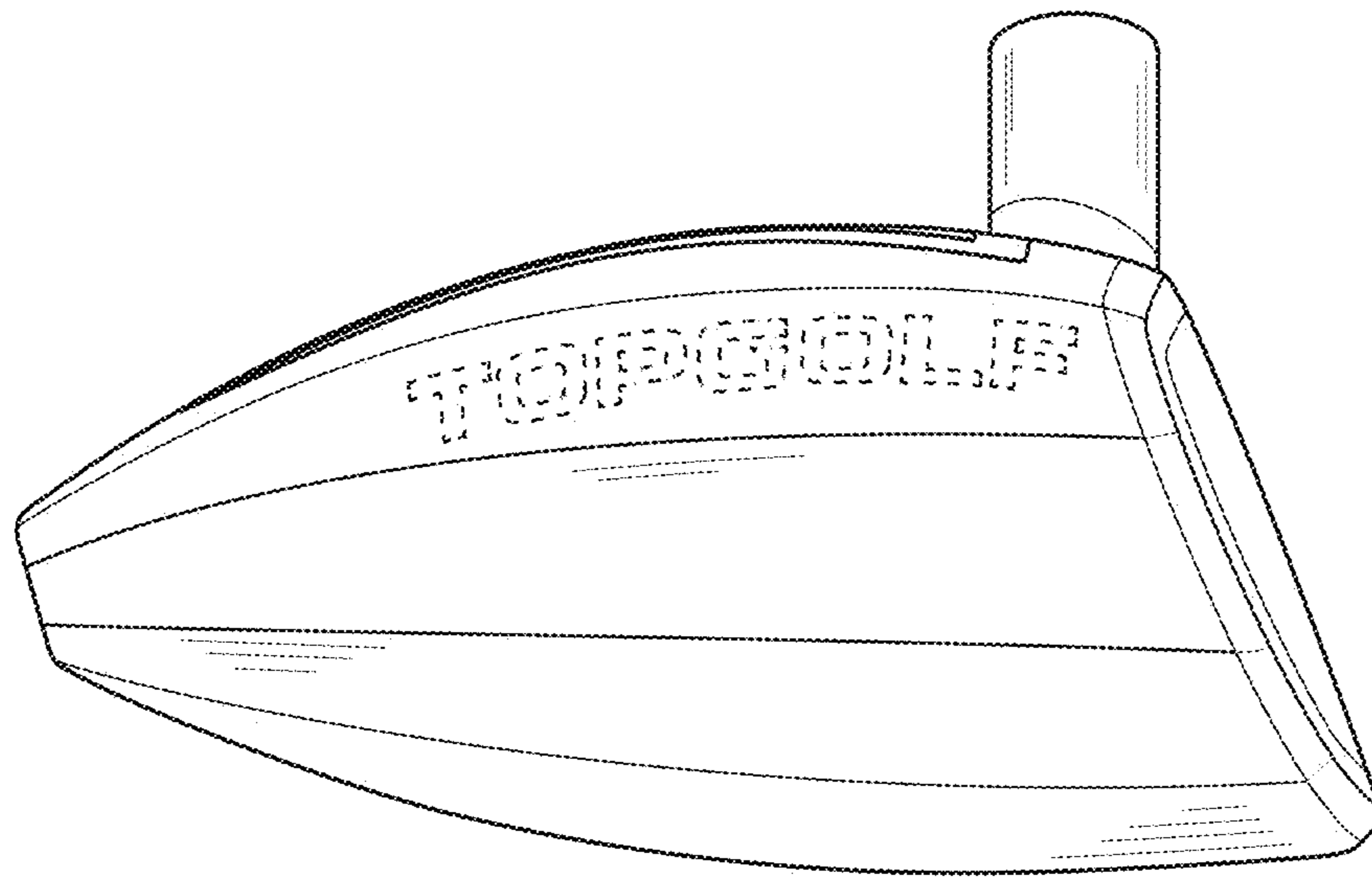


FIG. 5

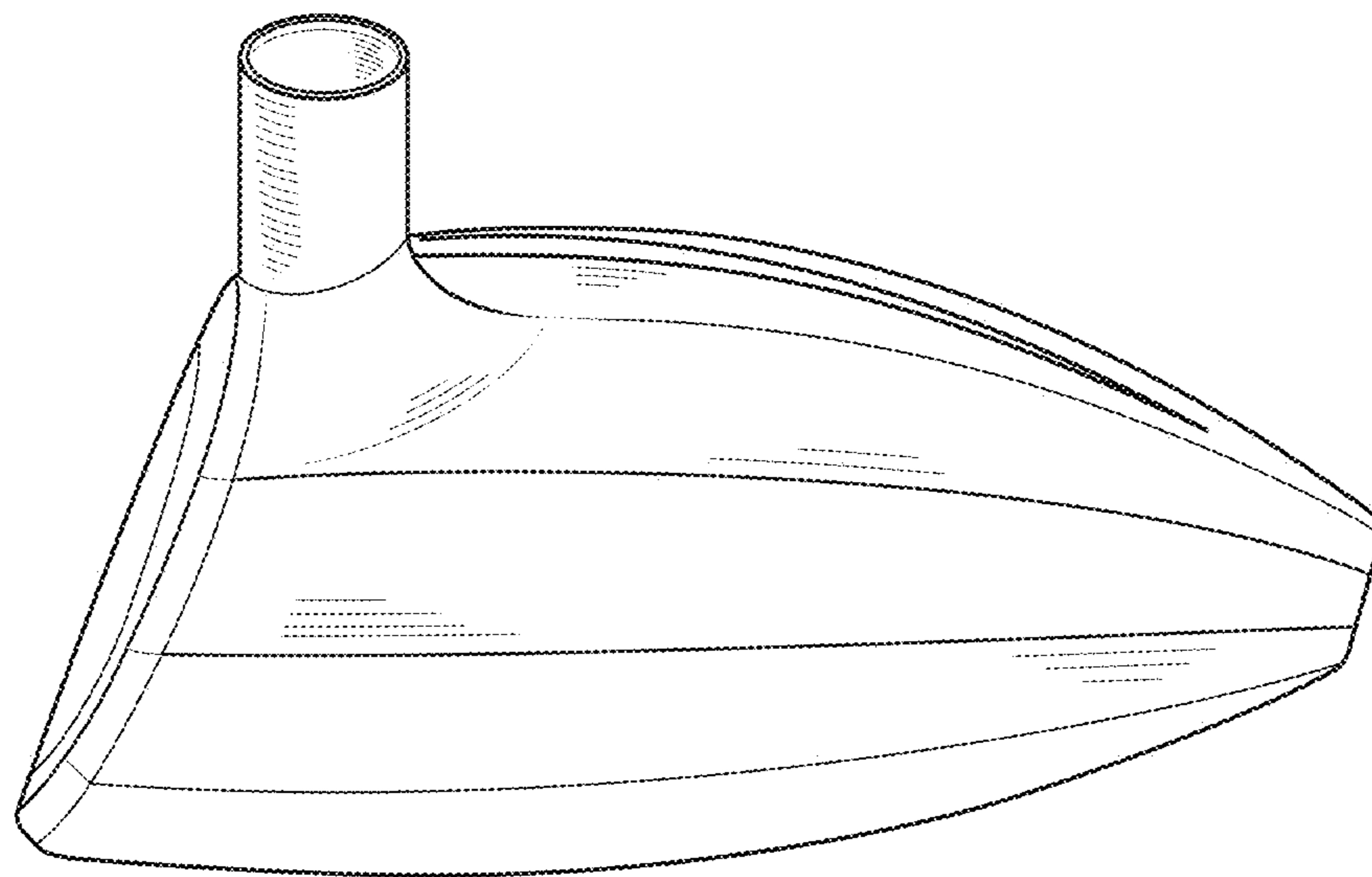


FIG. 6

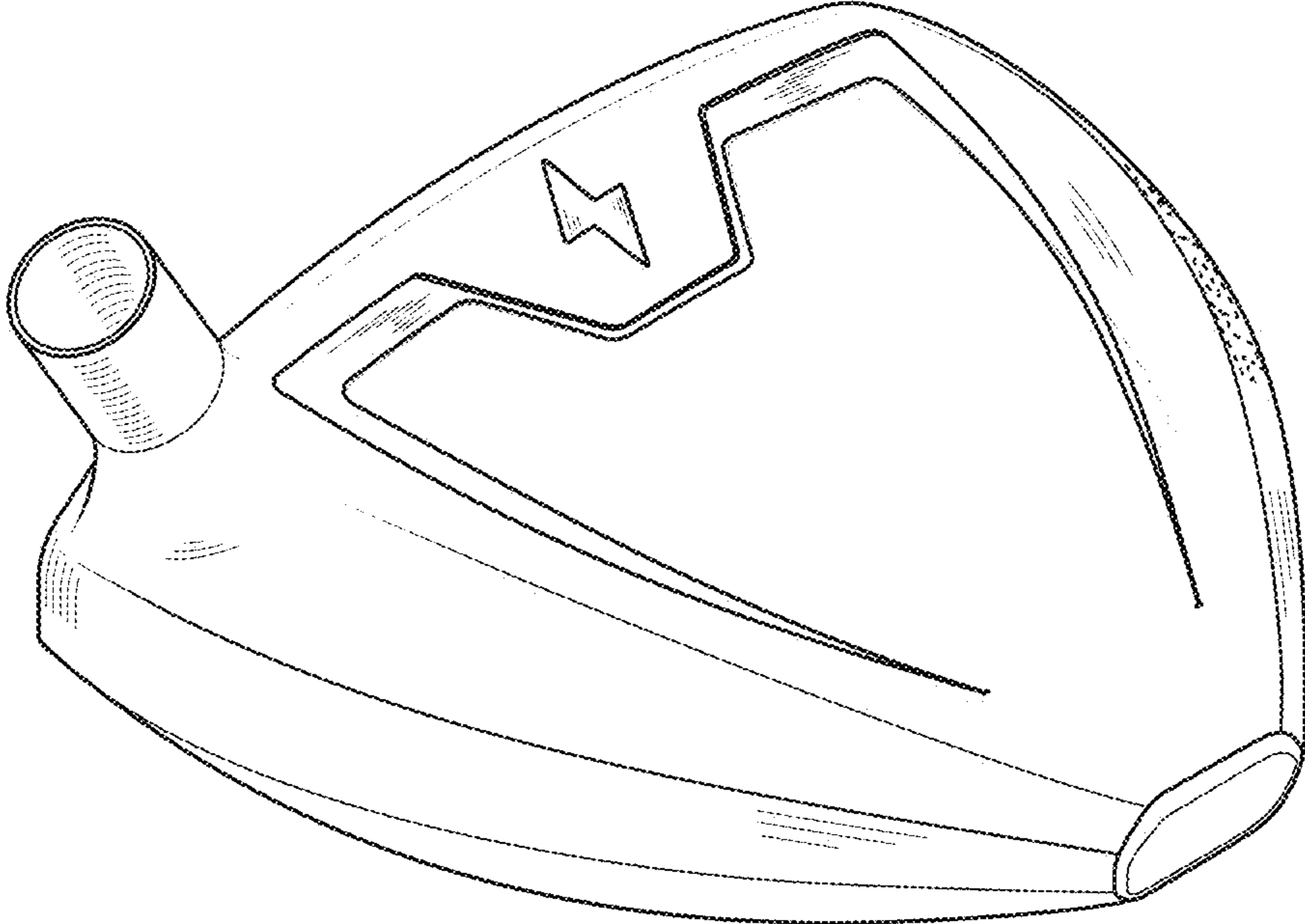


FIG. 7

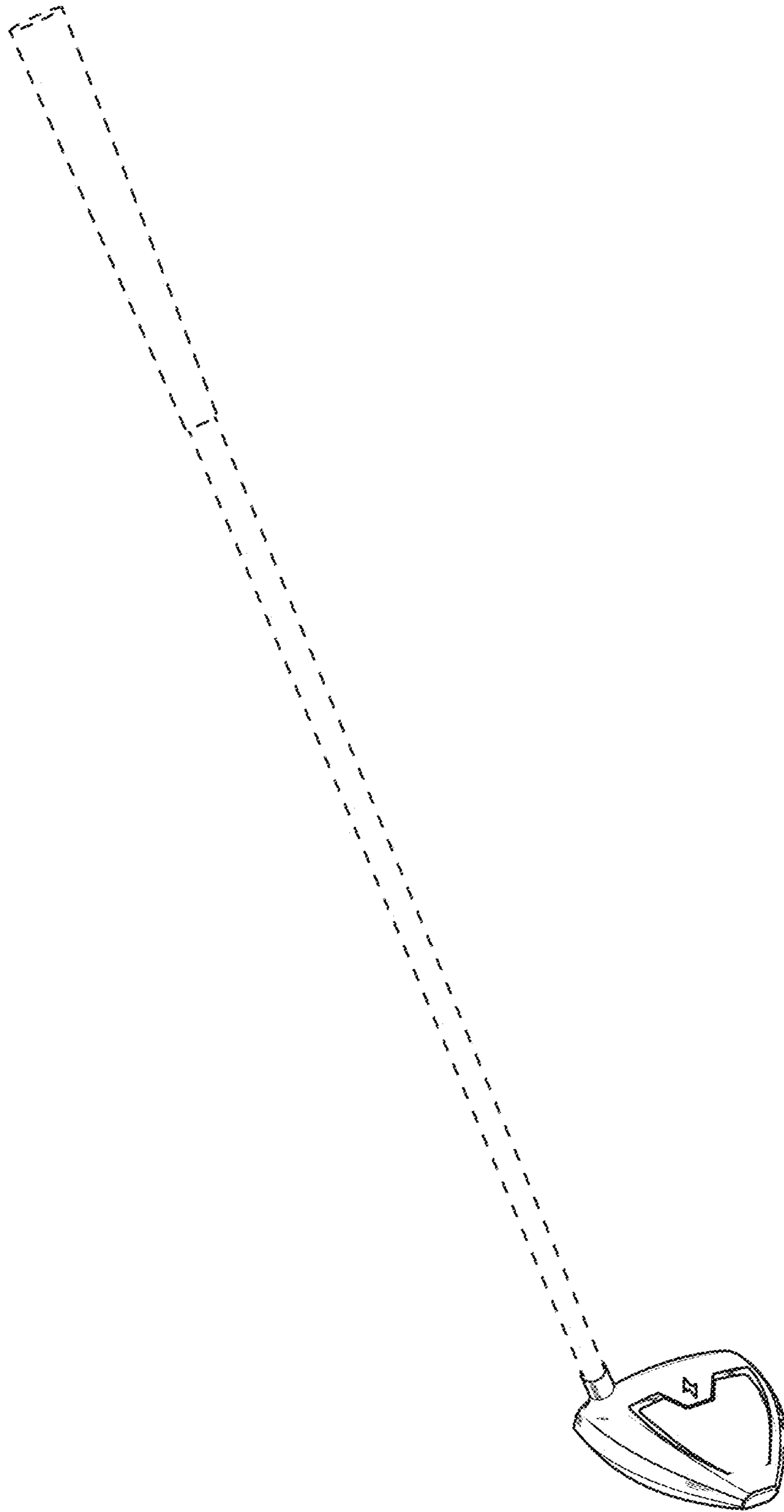


FIG. 8