



US0D1055188S

(12) **United States Design Patent**  
**Hallack et al.**

(10) **Patent No.:** **US D1,055,188 S**

(45) **Date of Patent:** **\*\* Dec. 24, 2024**

(54) **GOLF CLUB HEAD**

(71) Applicant: **Topgolf International, Inc.**, Dallas, TX (US)

(72) Inventors: **Michael Hallack**, Carlsbad, CA (US);  
**Matt Kovacevich**, Carlsbad, CA (US)

(73) Assignee: **Topgolf International, Inc.**, Dallas, TX (US)

(\*\*) Term: **15 Years**

(21) Appl. No.: **29/891,764**

(22) Filed: **May 9, 2023**

(51) **LOC (14) Cl.** ..... **21-02**

(52) **U.S. Cl.**  
USPC ..... **D21/733**

(58) **Field of Classification Search**  
USPC ..... D21/733, 752, 759  
CPC ..... A63B 53/00; A63B 53/04; A63B 53/0466;  
A63B 2053/0445; A63B 2053/0433;  
A63B 2053/0491; A63B 2053/0437;  
A63B 60/00; A63B 60/46  
See application file for complete search history.

(56) **References Cited**

**U.S. PATENT DOCUMENTS**

D146,431 S *	3/1947	Liolich	473/341
5,221,086 A *	6/1993	Antonious	A63B 53/0466
			473/327
D356,130 S *	3/1995	Schild	D21/733
D363,748 S *	10/1995	Iinuma	D21/752
D363,961 S *	11/1995	Krzymowek	D21/752
D387,112 S *	12/1997	Fabre, Jr.	D21/752
D422,659 S *	4/2000	Mertens	D21/752
6,074,308 A *	6/2000	Domas	A63B 53/04
			473/349
D460,991 S *	7/2002	Madore	D21/759
D461,215 S *	8/2002	Madore	D21/759
D482,421 S *	11/2003	Kessler	D21/759

D487,125 S *	2/2004	Burrows	D21/752
D489,105 S *	4/2004	Kim	D21/733
D509,552 S *	9/2005	Madore	D21/752
D524,890 S *	7/2006	Foster	D21/752
D529,112 S *	9/2006	Tang	D21/752
D534,230 S *	12/2006	Tang	D21/752
7,166,038 B2 *	1/2007	Williams	A63B 60/00
			473/345

D549,293 S *	8/2007	Rice	D21/752
D556,280 S *	11/2007	Madore	D21/752

(Continued)

**FOREIGN PATENT DOCUMENTS**

WO WO-2006073930 A2 \* 7/2006 ..... A63B 53/02

**OTHER PUBLICATIONS**

Golf driver google search; google.com; Sep. 13, 2024.\*

(Continued)

*Primary Examiner* — Mitchell I. Siegel

(74) *Attorney, Agent, or Firm* — Michael A. Catania

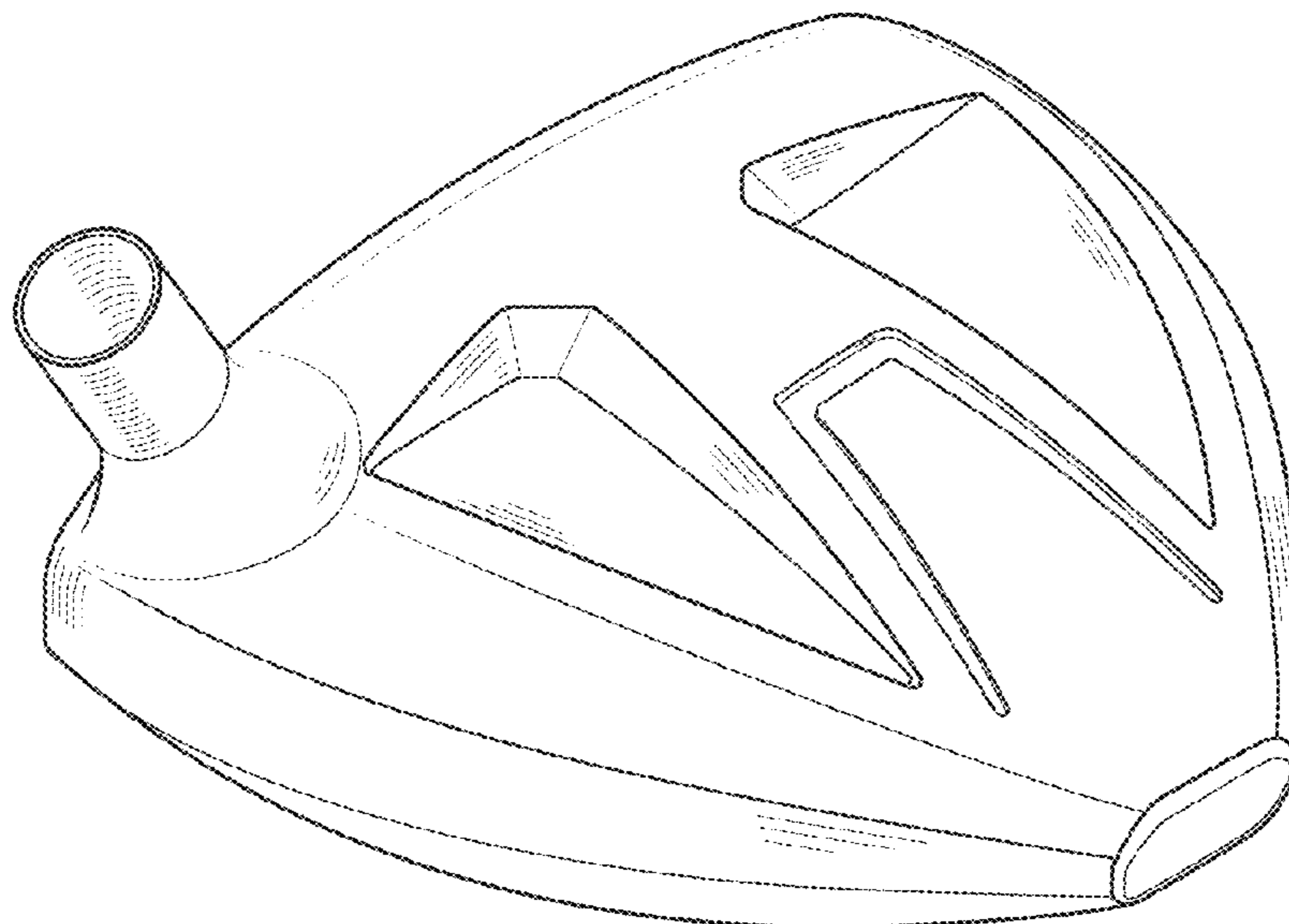
(57) **CLAIM**

The ornamental design for a golf club head, as shown and described.

**DESCRIPTION**

FIG. 1 is a rear elevation view of a golf club head; FIG. 2 is a front elevation view thereof; FIG. 3 is a top plan view thereof; FIG. 4 is a bottom plan view thereof; FIG. 5 is a toe-side elevation view thereof; FIG. 6 is a heel-side elevation view thereof; FIG. 7 is a top perspective view thereof; and, FIG. 8 is a top perspective view of the golf club head connected to a shaft in broken lines. The broken lines shown in the drawings form no part of the claimed design.

**1 Claim, 6 Drawing Sheets**



(56)

References Cited

U.S. PATENT DOCUMENTS

7,291,075 B2 *	11/2007	Williams	.....	A63B 60/00	473/345	2006/0148586 A1 *	7/2006	Williams	.....	A63B 53/02	473/345
7,306,527 B2 *	12/2007	Williams	.....	A63B 60/00	473/345	2006/0148587 A1 *	7/2006	Stevens	.....	A63B 60/02	473/345
7,311,613 B2 *	12/2007	Stevens	.....	A63B 53/02	473/335	2007/0099722 A1 *	5/2007	Stevens	.....	A63B 60/02	473/335
7,390,269 B2 *	6/2008	Williams	.....	A63B 53/02	473/345	2007/0117649 A1 *	5/2007	Williams	.....	A63B 60/02	473/345
D574,913 S *	8/2008	Tang	.....	D21/752		2007/0178992 A1 *	8/2007	Williams	.....	A63B 53/02	473/349
7,407,448 B2 *	8/2008	Stevens	.....	A63B 53/0466	473/335	2007/0202964 A1 *	8/2007	Williams	.....	A63B 60/00	473/345
D577,090 S *	9/2008	Pergande	.....	D21/759		2008/0026871 A1 *	1/2008	Williams	.....	A63B 53/0466	473/345
7,419,440 B2 *	9/2008	Williams	.....	A63B 60/00	473/345	2008/0032818 A1 *	2/2008	Williams	.....	A63B 53/0466	473/343
7,455,598 B2 *	11/2008	Williams	.....	A63B 60/02	473/335	2008/0032820 A1 *	2/2008	Stevens	.....	A63B 60/02	473/345
D584,369 S *	1/2009	Hooley	.....	D21/733		2008/0039234 A1 *	2/2008	Williams	.....	A63B 60/02	473/345
D584,782 S *	1/2009	Barez	.....	D21/759		2008/0076596 A1 *	3/2008	Williams	.....	A63B 53/0466	473/329
D584,783 S *	1/2009	Barez	.....	D21/759		2009/0075753 A1 *	3/2009	Williams	.....	A63B 53/0466	473/349
D584,784 S *	1/2009	Barez	.....	D21/759		2009/0088272 A1 *	4/2009	Foster	.....	A63B 60/00	473/345
7,476,161 B2 *	1/2009	Williams	.....	A63B 60/02	473/335	2009/0156326 A1 *	6/2009	Williams	.....	A63B 60/00	473/334
7,494,424 B2 *	2/2009	Williams	.....	A63B 60/00	473/335	2009/0253532 A1 *	10/2009	Foster	.....	A63B 60/00	473/345
D588,220 S *	3/2009	Ferguson	.....	D21/759		2010/0093464 A1 *	4/2010	Foster	.....	A63B 53/0466	473/345
D592,723 S *	5/2009	Chau	.....	D21/759		2010/0273571 A1 *	10/2010	Foster	.....	A63B 60/00	473/345
D594,519 S *	6/2009	Chau	.....	D21/752		2019/0314690 A1 *	10/2019	Schweigert	.....	A63B 53/04	
D595,381 S *	6/2009	Waggoner	.....	D21/759		2020/0155909 A1 *	5/2020	Schweigert	.....	A63B 53/02	
7,549,935 B2 *	6/2009	Foster	.....	A63B 53/0466	473/335	2020/0215397 A1 *	7/2020	Parsons	.....	A63B 53/0466	
7,578,751 B2 *	8/2009	Williams	.....	A63B 53/02	473/335	2020/0230471 A1 *	7/2020	Parsons	.....	A63B 60/02	
7,588,501 B2 *	9/2009	Williams	.....	A63B 53/0466	473/335	2021/0128996 A1 *	5/2021	Kroloff	.....	A63B 60/02	
7,637,822 B2 *	12/2009	Foster	.....	A63B 53/0466	473/335	2021/0299527 A1 *	9/2021	Schweigert	.....	A63B 53/10	
7,749,097 B2 *	7/2010	Foster	.....	A63B 60/02	473/335	2022/0152462 A1 *	5/2022	Kroloff	.....	A63B 53/0466	
7,846,038 B2 *	12/2010	Foster	.....	A63B 53/0466	473/335	2023/0044263 A1 *	2/2023	Schweigert	.....	A63B 60/02	
D722,351 S *	2/2015	Parsons	.....	D21/736		2023/0264078 A1 *	8/2023	Nicolette	.....	A63B 53/0466	29/592
9,895,585 B2 *	2/2018	Kroloff	.....	A63B 53/0487							
D821,514 S *	6/2018	Sillies	.....	D21/759							
D827,067 S *	8/2018	Becktor	.....	D21/752							
D844,086 S *	3/2019	Boggs	.....	D21/752							
D923,731 S *	6/2021	Agrella	.....	D21/752							
11,045,698 B2 *	6/2021	Schweigert	.....	A63B 53/0487							
D926,901 S *	8/2021	Parsons	.....	D21/752							
D930,100 S *	9/2021	Parsons	.....	D21/759							
D933,150 S *	10/2021	Kroloff	.....	D21/752							
11,511,169 B2 *	11/2022	Schweigert	.....	A63B 53/065							
D1,014,676 S *	2/2024	Kroloff	.....	D21/759							

OTHER PUBLICATIONS

Callaway golf driver google search; google.com; Sep. 13, 2024.\*  
 Fairway wood google search; google.com; Sep. 13, 2024.\*  
 Callaway fairway wood google search; google.com; Sep. 13, 2024.\*  
 Topgolf driver google search; google.com; Sep. 13, 2024.\*  
 callawaygolf.com; drivers; Sep. 13, 2024.\*  
 callawaygolf.com; fairway woods; Sep. 13, 2024.\*

\* cited by examiner

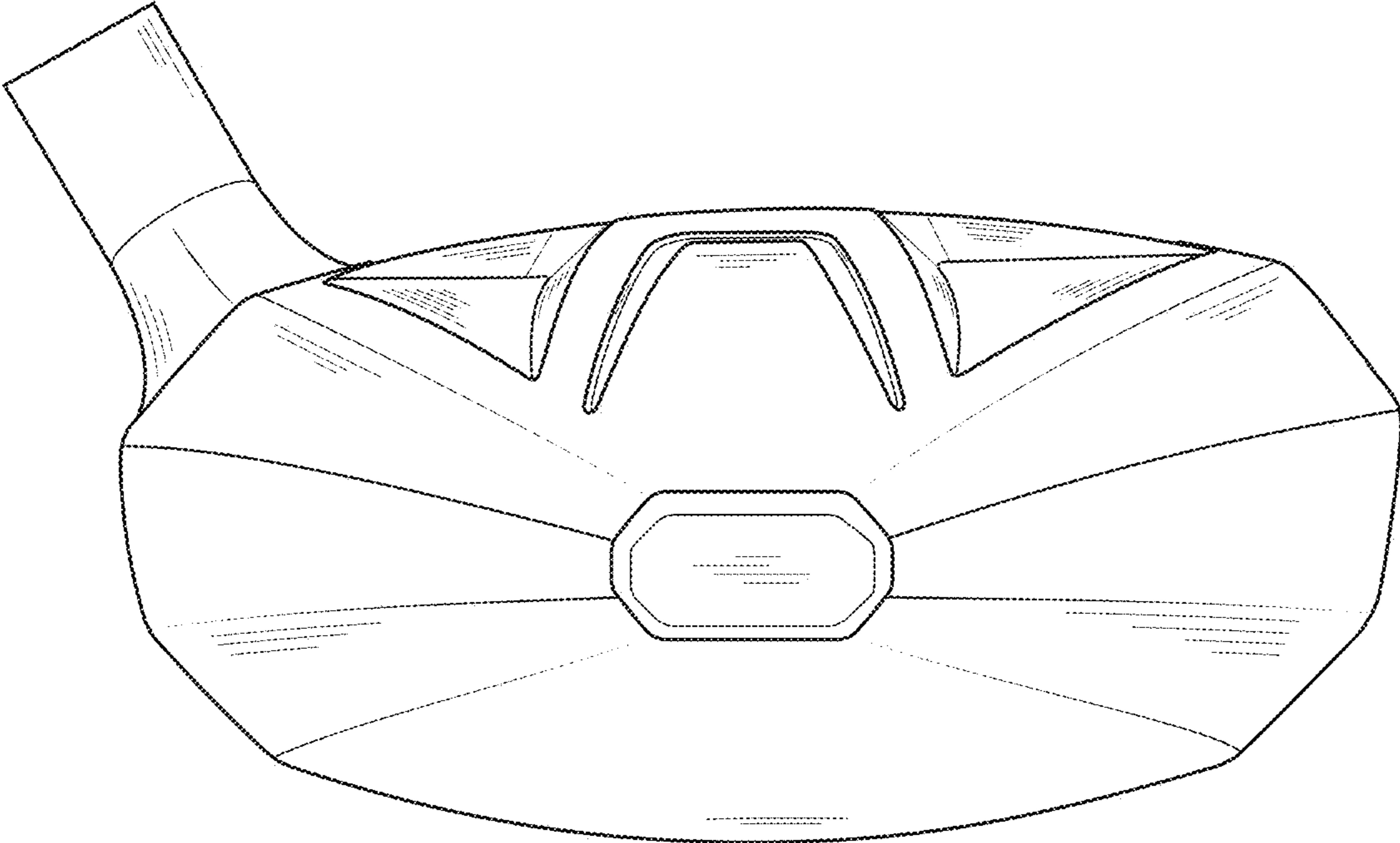


FIG. 1

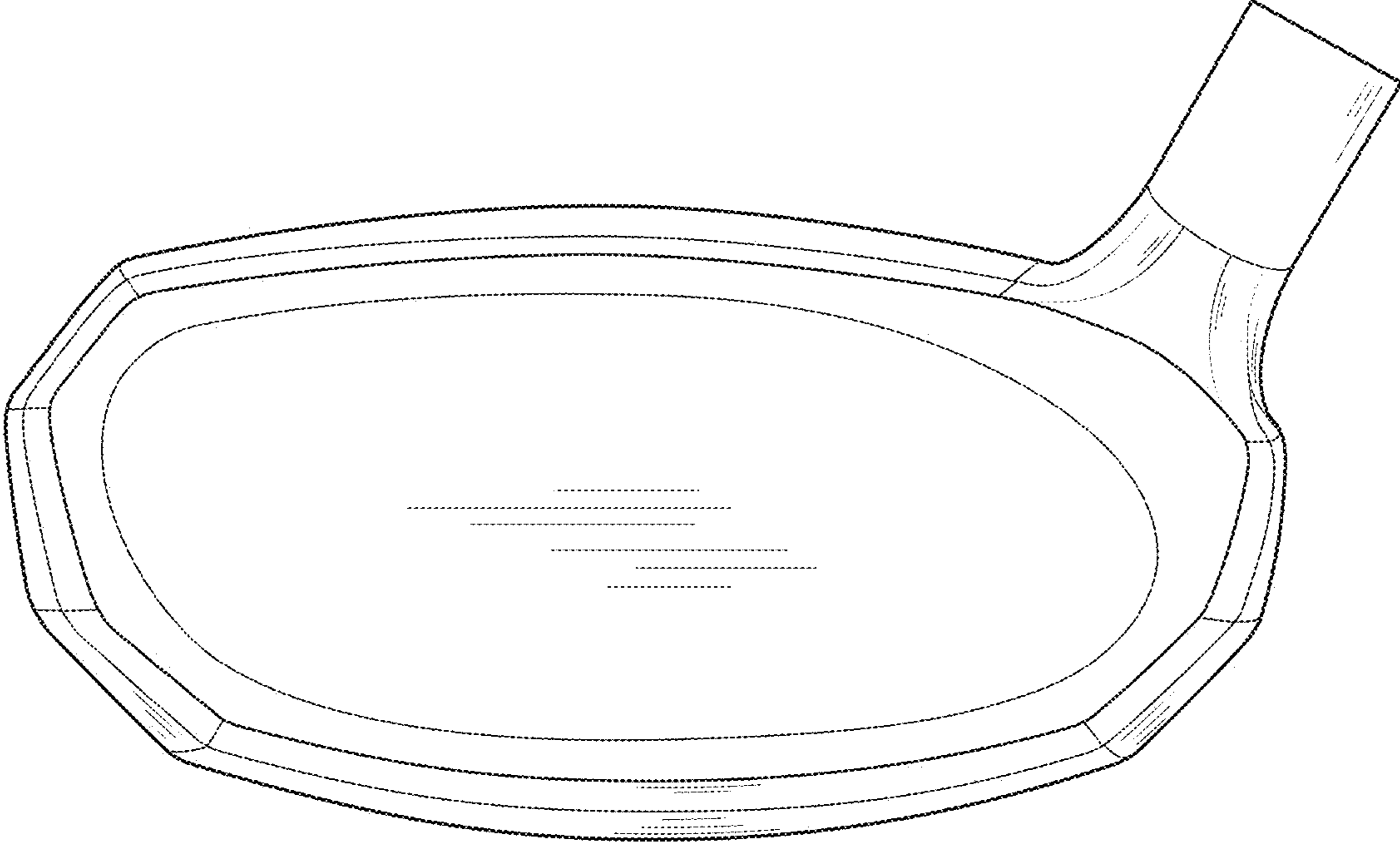


FIG. 2

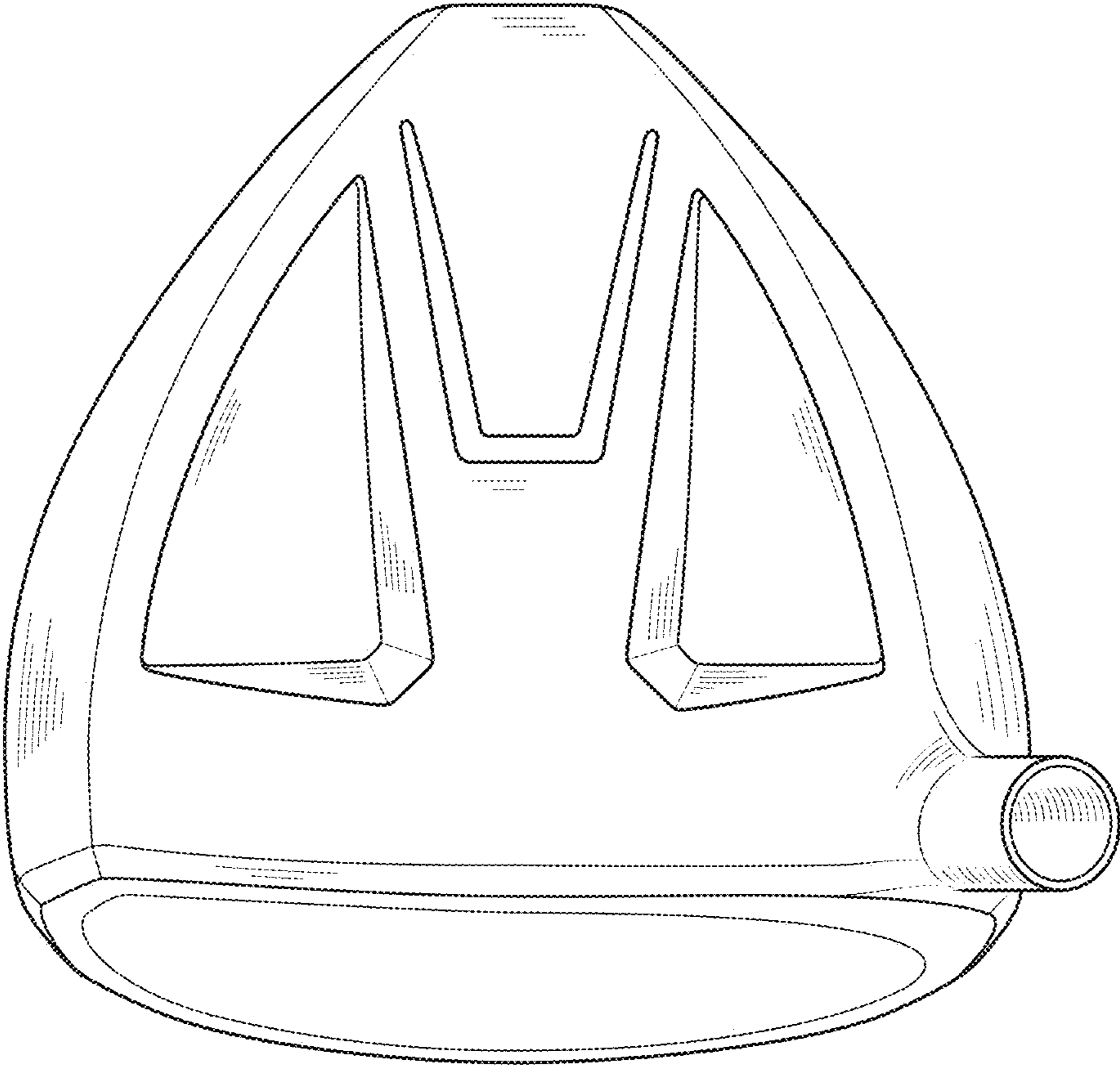


FIG. 3

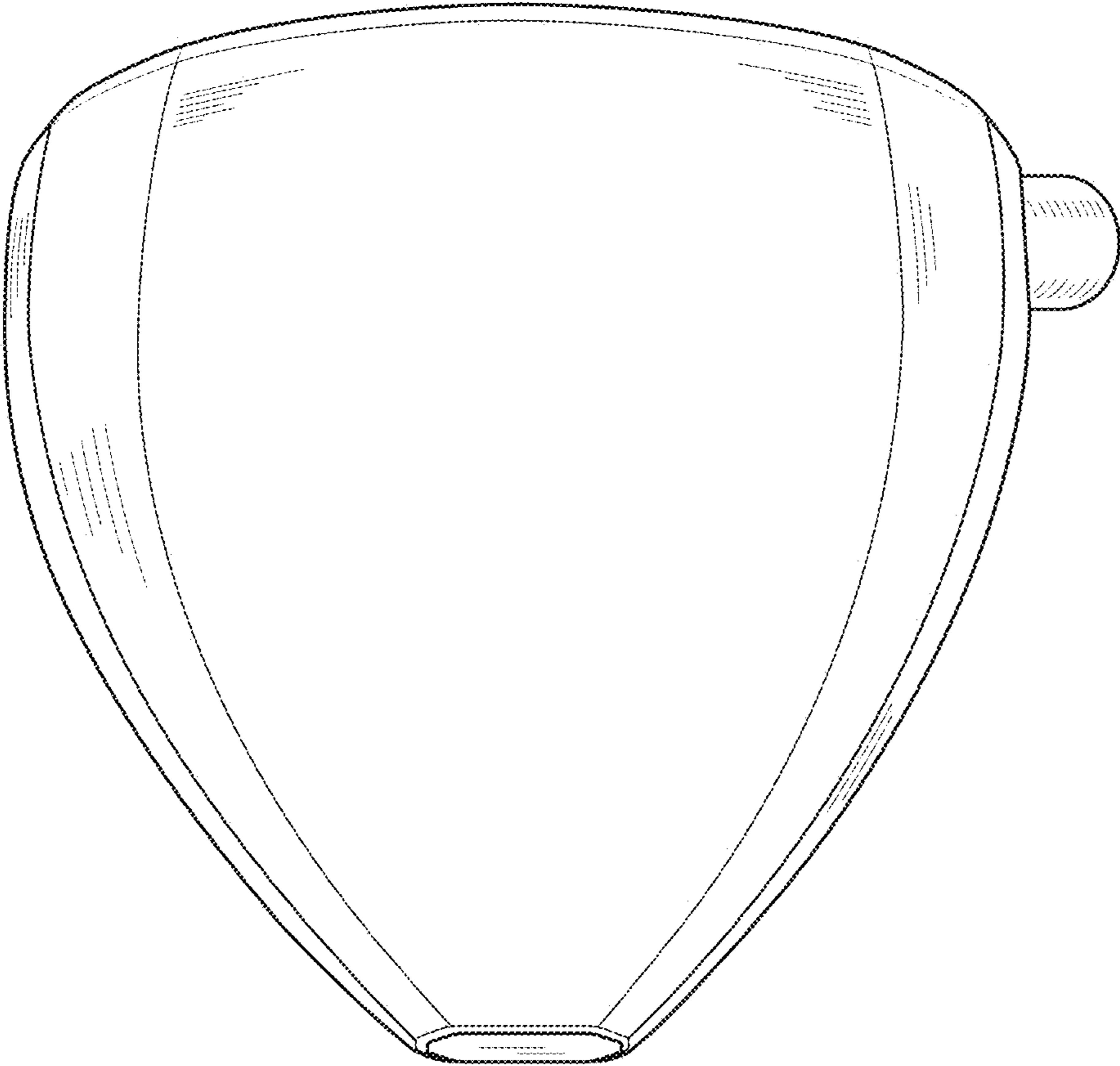


FIG. 4

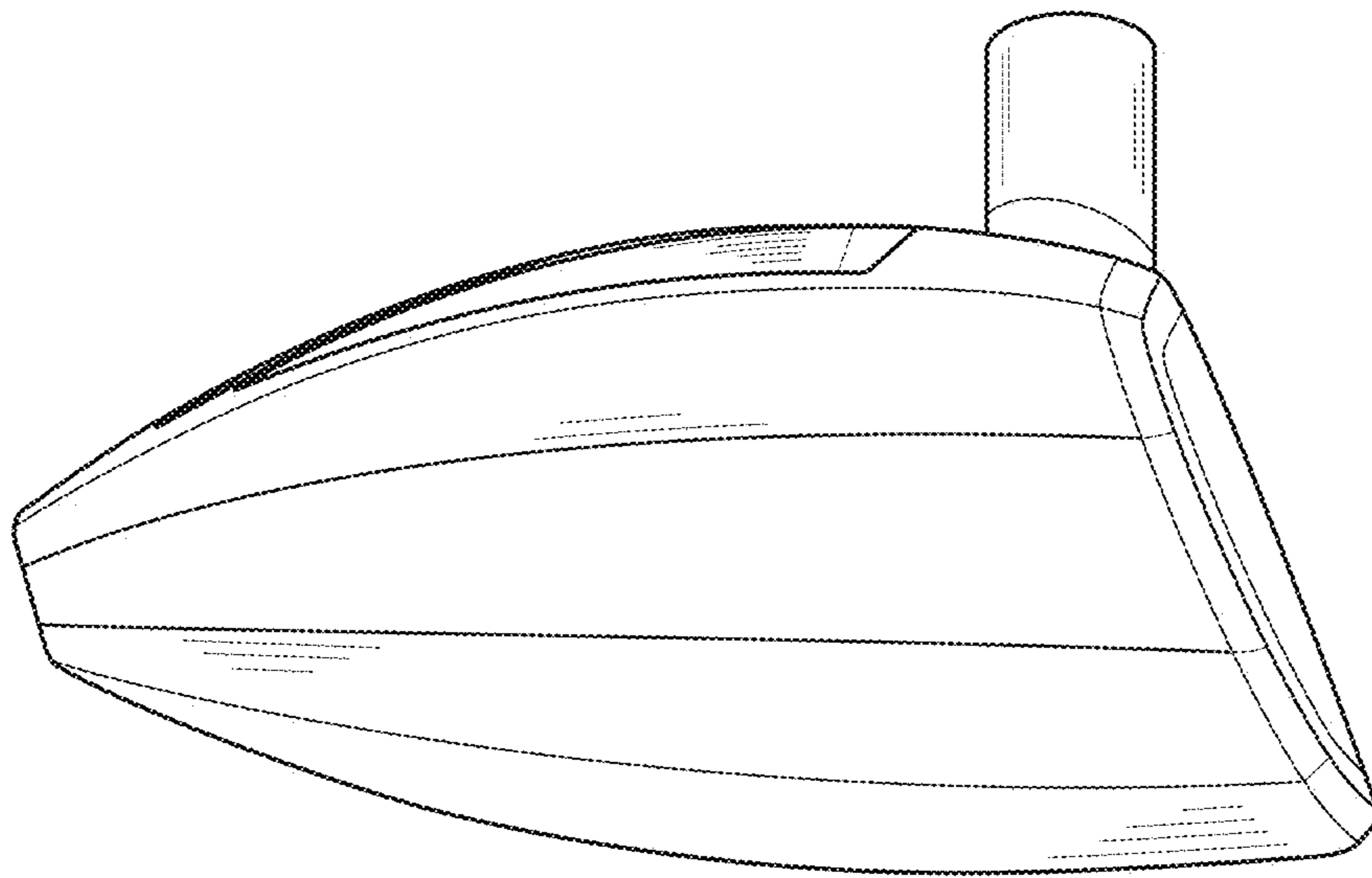


FIG. 5

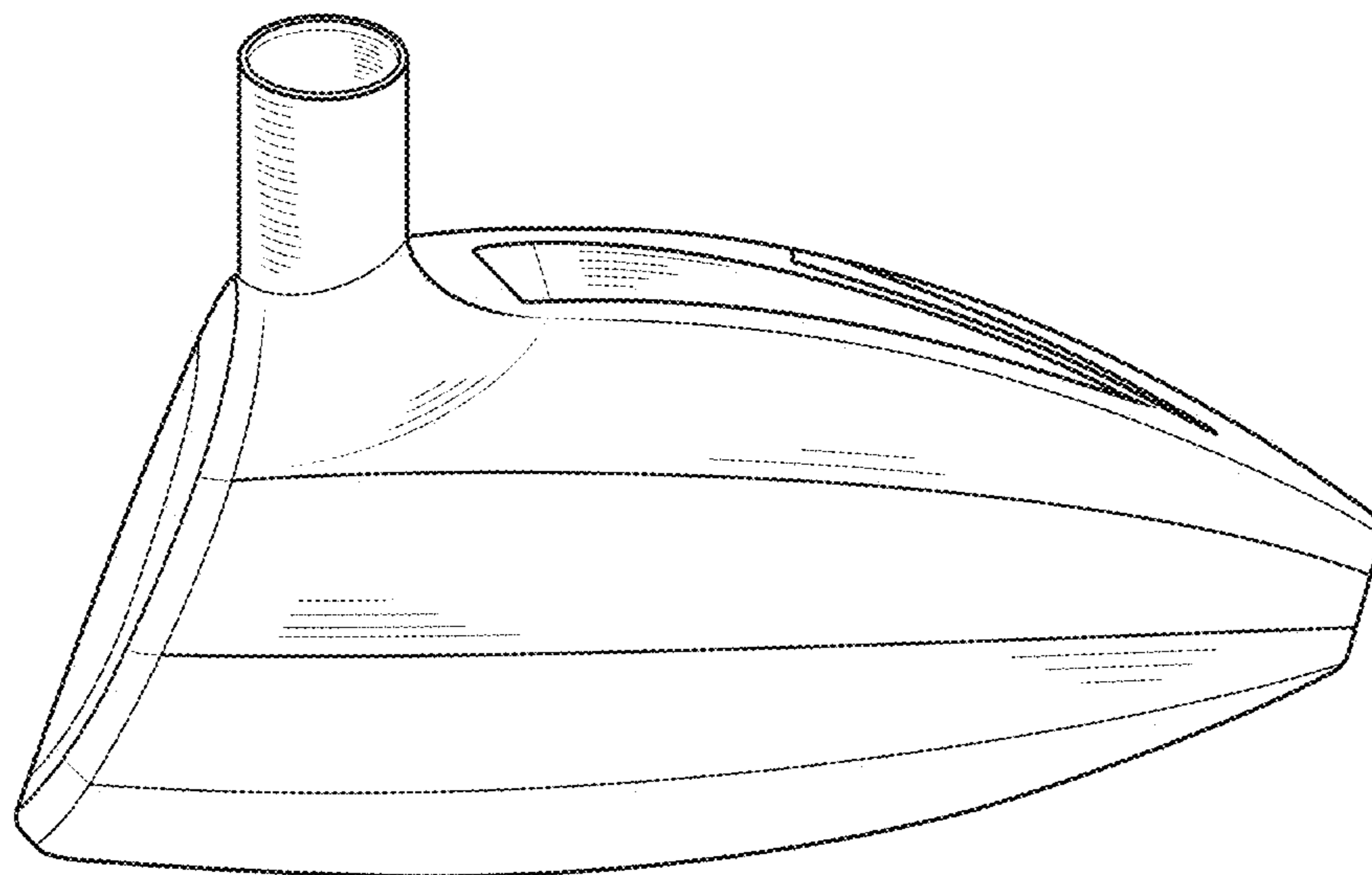


FIG. 6

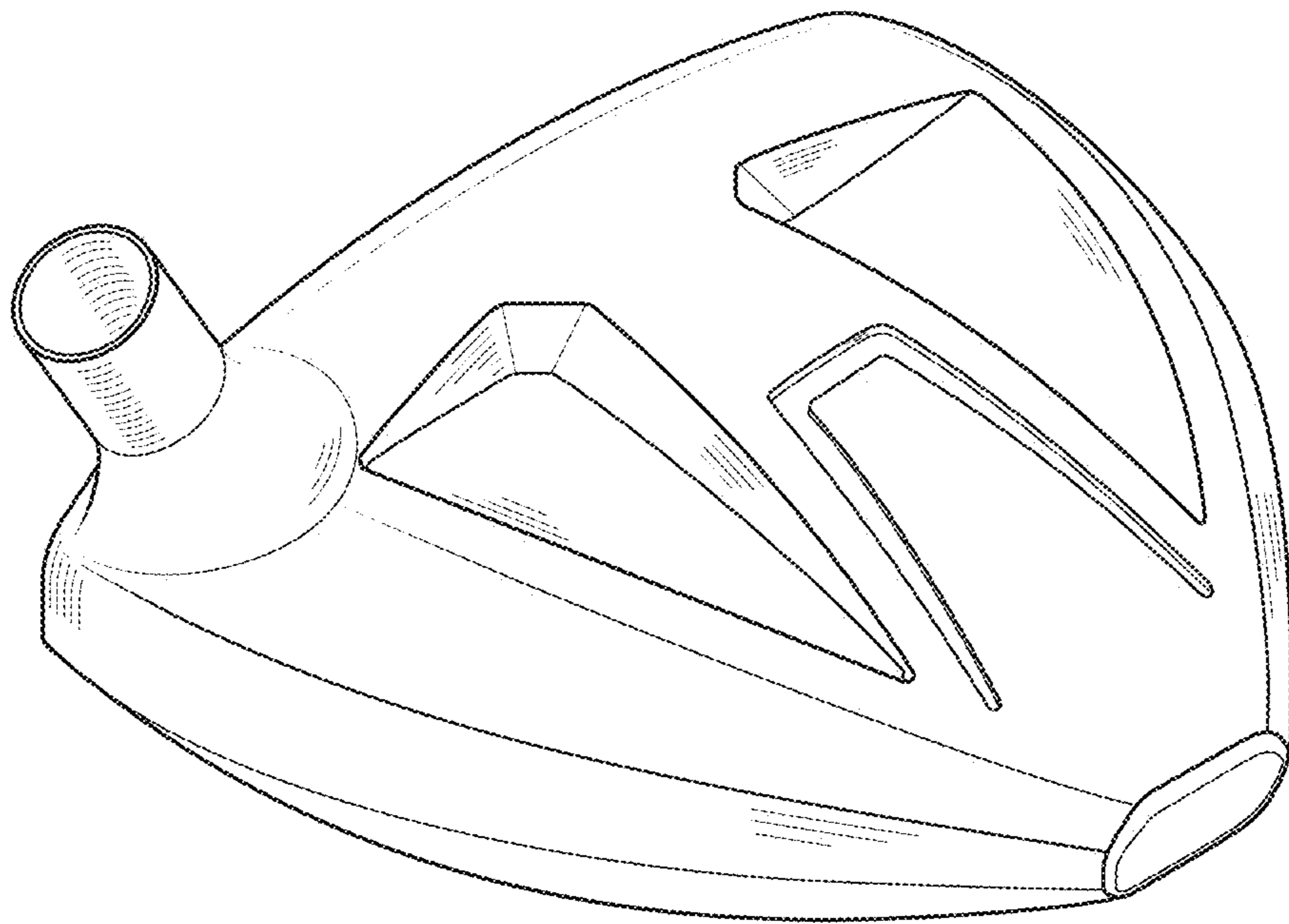


FIG. 7

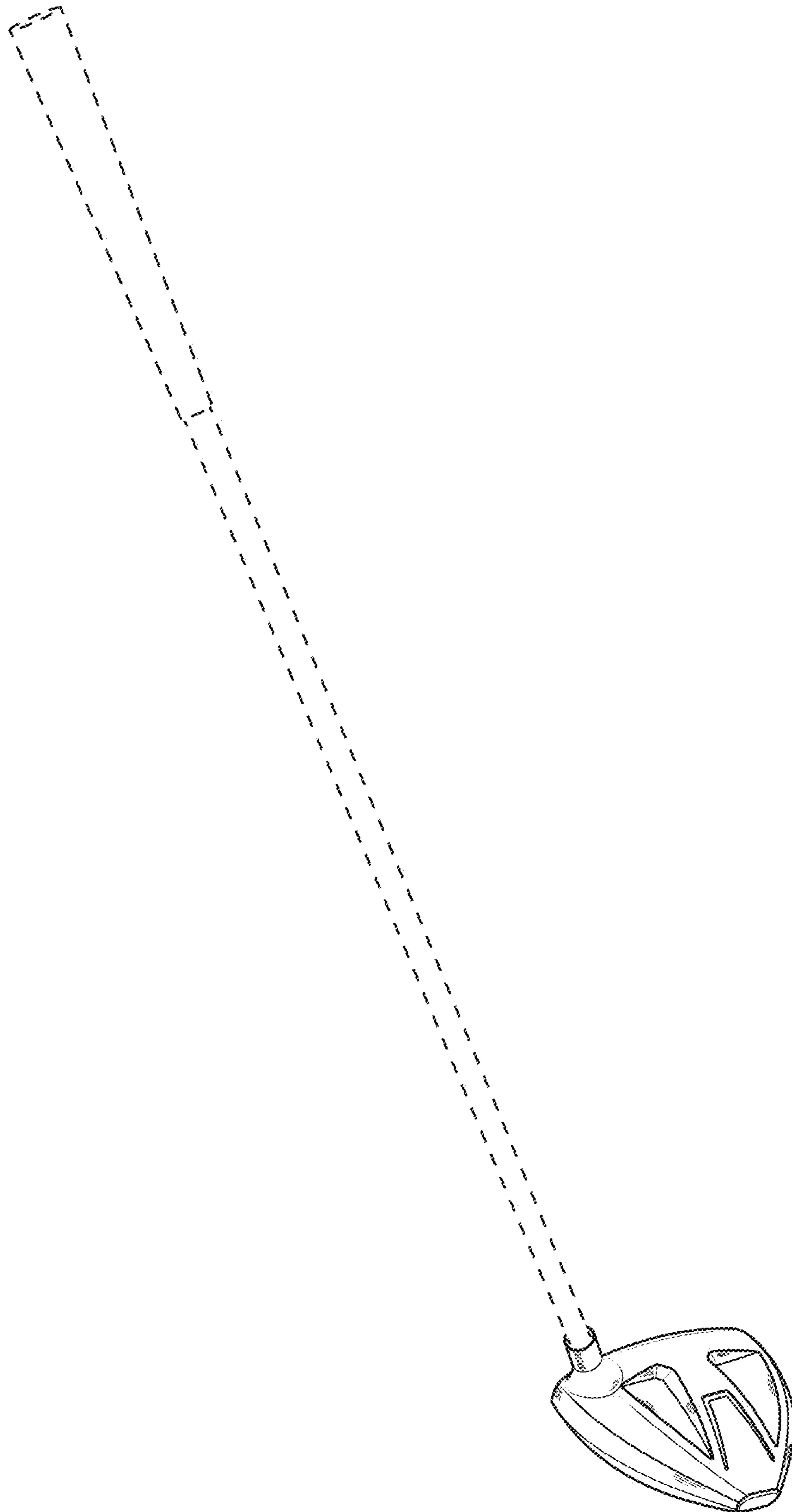


FIG. 8