

US0D1055180S

(12) **United States Design Patent** (10) **Patent No.:** **US D1,055,180 S**
Walker (45) **Date of Patent:** **** Dec. 24, 2024**

(54) **BARBELL WITH WEIGHTS**
(71) Applicant: **Claudia Walker**, San Bernardino, CA (US)
(72) Inventor: **Claudia Walker**, San Bernardino, CA (US)
(**) Term: **15 Years**
(21) Appl. No.: **29/849,092**
(22) Filed: **Aug. 8, 2022**
(51) **LOC (14) Cl.** **21-02**
(52) **U.S. Cl.**
USPC **D21/681**
(58) **Field of Classification Search**
USPC D6/552; D9/668; D21/662, 667-682, D21/685, 686, 692, 694
CPC A63B 2220/12; A63B 21/062; A63B 2220/13; A63B 69/3632; A63B 21/075; A63B 21/063; A63B 21/0628; A63B 21/0724; A63B 21/0722; A63B 21/0783; A63B 21/0726; A63B 21/055; A63B 21/0728
See application file for complete search history.

(56) **References Cited**

U.S. PATENT DOCUMENTS

4,018,442 A * 4/1977 Galler A63B 21/0724
D284,930 S * 8/1986 Richards D8/70
D324,894 S * 3/1992 Porcello D21/679
5,254,063 A * 10/1993 House, Jr. A63B 21/0728
403/372
D433,468 S * 11/2000 Rojas D21/680
D464,691 S * 10/2002 Tracy D21/679
6,945,918 B1 * 9/2005 Hill A63B 21/0724
D685,865 S * 7/2013 Kuhn D21/679
9,126,075 B2 9/2015 Tomaszewski
9,254,408 B1 * 2/2016 Otto A63B 21/0724
9,254,410 B1 * 2/2016 Mirza A63B 23/12
9,623,276 B1 4/2017 Deras

D839,974 S * 2/2019 Jessup D21/679
D843,506 S * 3/2019 Campanaro D21/679
11,110,314 B1 9/2021 Wineman
D954,161 S * 6/2022 Ameri D21/679
D970,654 S * 11/2022 Gu D21/679
D980,926 S * 3/2023 Ameri D21/681
D982,682 S * 4/2023 Chu D21/679
D1,027,077 S * 5/2024 Zhang D21/681
D1,040,945 S * 9/2024 Zhang D21/681
D1,042,674 S * 9/2024 Henniger D21/679
D1,042,675 S * 9/2024 Henniger D21/679
2006/0040802 A1 * 2/2006 Vittone A63B 23/1263
2013/0252789 A1 9/2013 Hess
2014/0121074 A1 5/2014 Cojocar

(Continued)

OTHER PUBLICATIONS

“Strength Shop Olympic Cambered Bench Press Bar” Mar. 25, 2018, Amazon, site visited Sep. 26, 2019: <https://www.amazon.de/-/en/Strength-Olympic-Cambered-Bench-Press/dp/B07BQ35KQ4> (Year: 2018).*

(Continued)

Primary Examiner — Catherine Ho
Assistant Examiner — Salamah Jordan

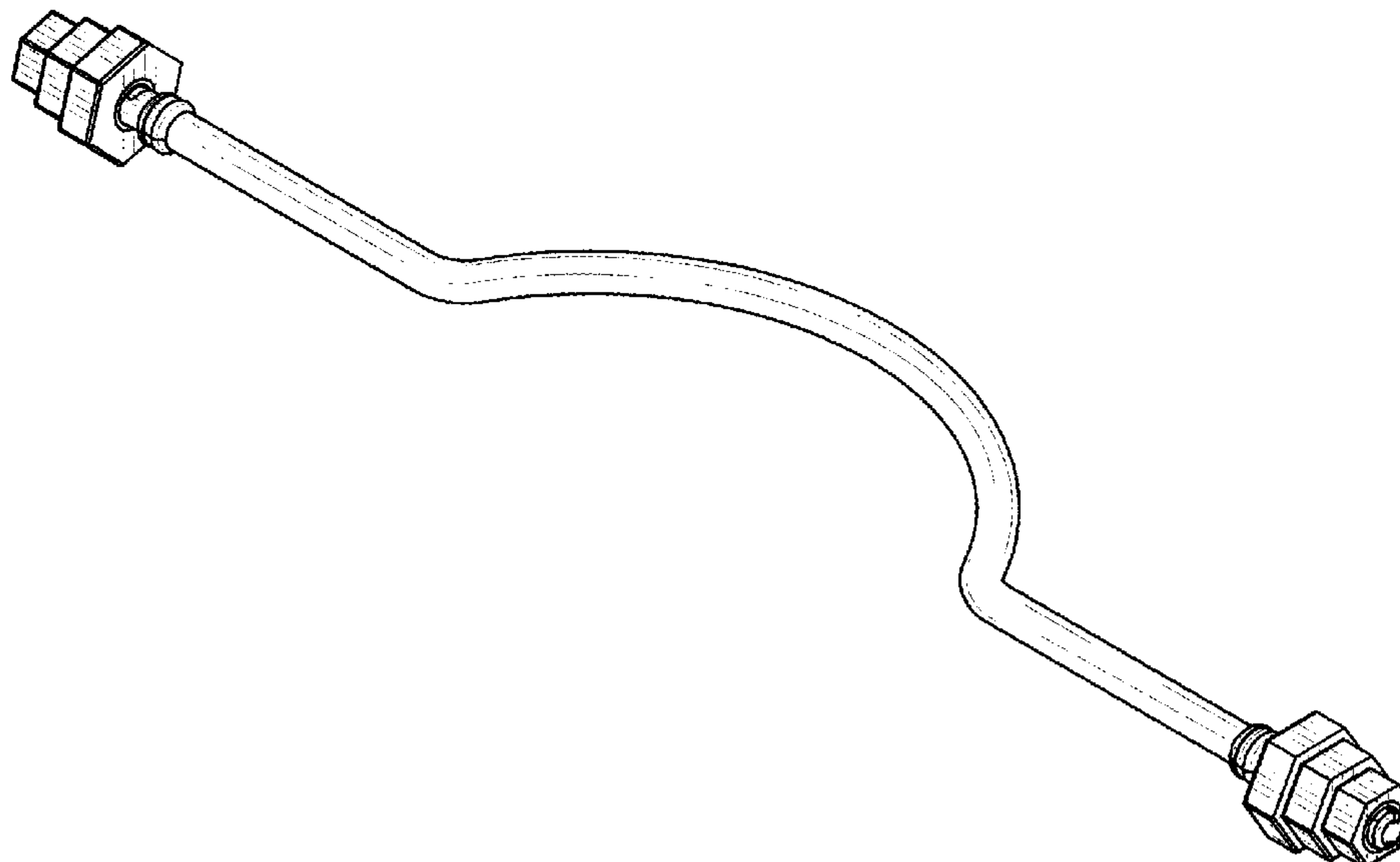
(57) **CLAIM**

The ornamental design for a barbell with weights, as shown and described.

DESCRIPTION

FIG. 1 is a perspective view of a barbell with weights showing my new design;
FIG. 2 is a top plan view thereof;
FIG. 3 is a bottom plan view thereof;
FIG. 4 is a front elevational view thereof;
FIG. 5 is a rear-side elevational view thereof;
FIG. 6 is an enlarged left side plan view thereof; and,
FIG. 7 is an enlarged right side plan view thereof.

1 Claim, 7 Drawing Sheets



(56)

References Cited

U.S. PATENT DOCUMENTS

2019/0030388 A1* 1/2019 Williams A63B 1/00
2019/0069650 A1 3/2019 Walker
2023/0173325 A1* 6/2023 Garcia A63B 21/0724

OTHER PUBLICATIONS

“Olympic Training Barbell” Dec. 19, 2014, Amazon, site visited Sep. 26, 2024:https://www.amazon.com/Fitness-Olympic-Training-Barbell-Weightlifting/dp/B00R93GJ74/ref=asc_df_B00R93GJ74/? (Year: 2014).*

“Rogue Seal Row Bench and Bar” Mar. 2021, Rogue Fitness, site visited Sep. 26, 2024:https://www.roguefitness.com/rogue-seal-row-bench?a_aid=5f10a382b675d&a_cid=81311592 (Year: 2021).*

“Dana Linn Bailey—Cambered Bench Press Bar” Jul. 6, 2016, Youtube, site visited Sep. 26, 2024:<https://www.youtube.com/watch?v=Mcv3D7PH9gY&t=1s> (Year: 2016).*

“Yes4All Total Body Workout Weighted Bar” May 8, 2015, Amazon, site visited Sep. 26, 2024:https://www.amazon.com/dp/B00XH756XE/ref=sspa_dk_detail_1?pd_rd_i=B00XH756XE&pd_rd_w=eP38P&th=1 (Year: 2015).*

Fitness Republic Weighted Bar Sculpting Workout Bars For Exercise, Retrieved from Internet, Retrieved on Nov. 9, 2021<URL: <https://www.amazon.com/Fitness-Republic-Sculpting-Exercise-Weighted/dp/B07BP117RJ>>.

* cited by examiner

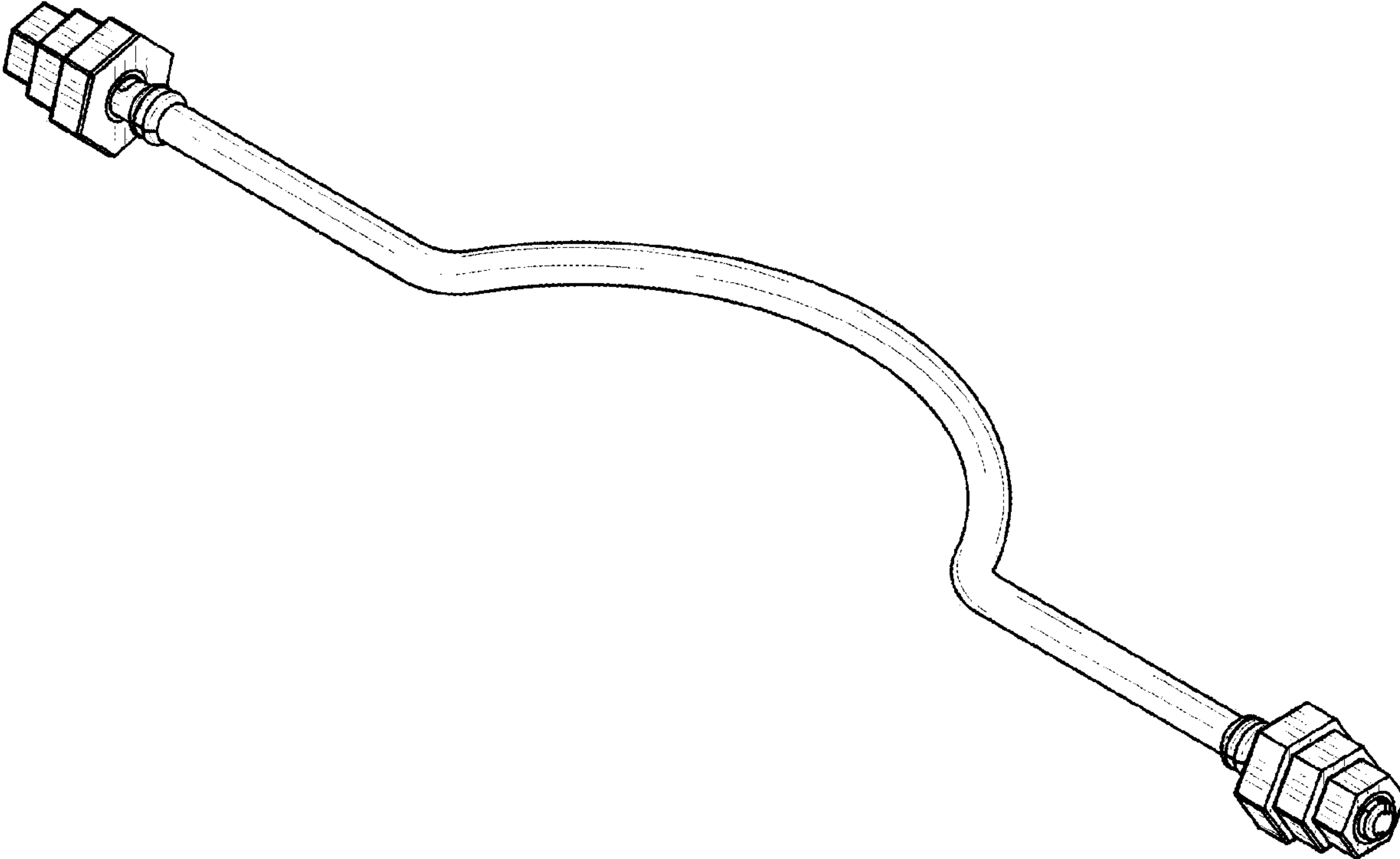


FIG. 1

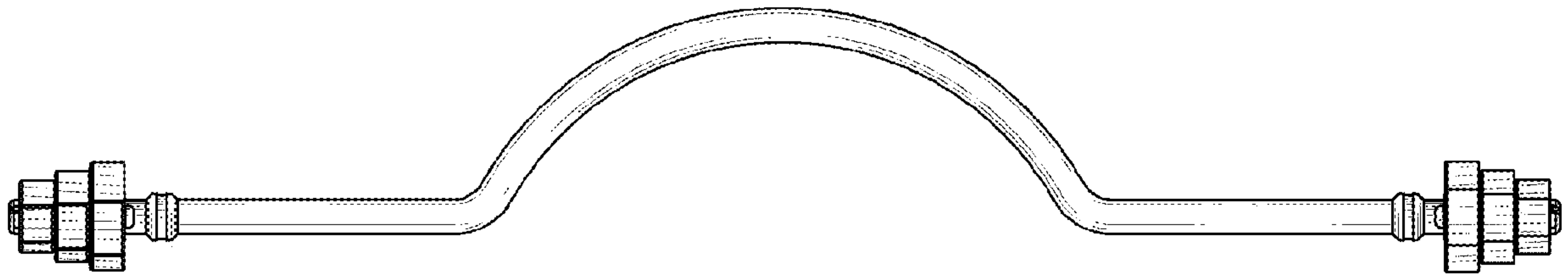


FIG. 2

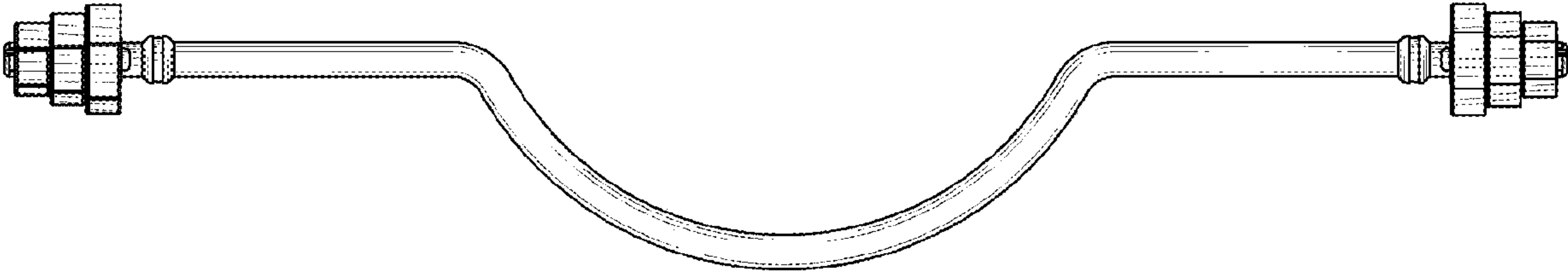


FIG. 3

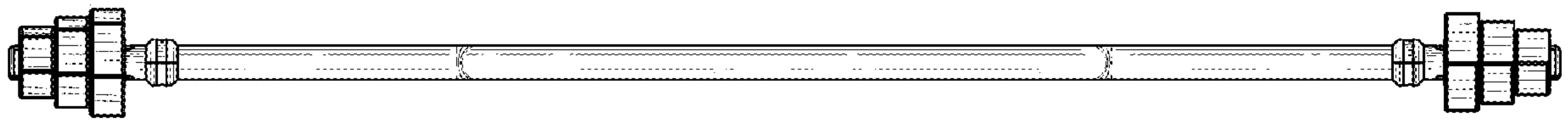


FIG. 4

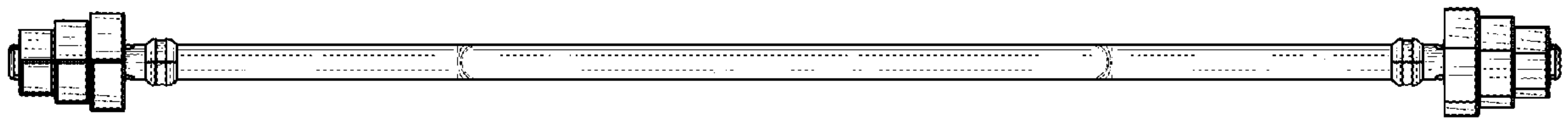


FIG. 5

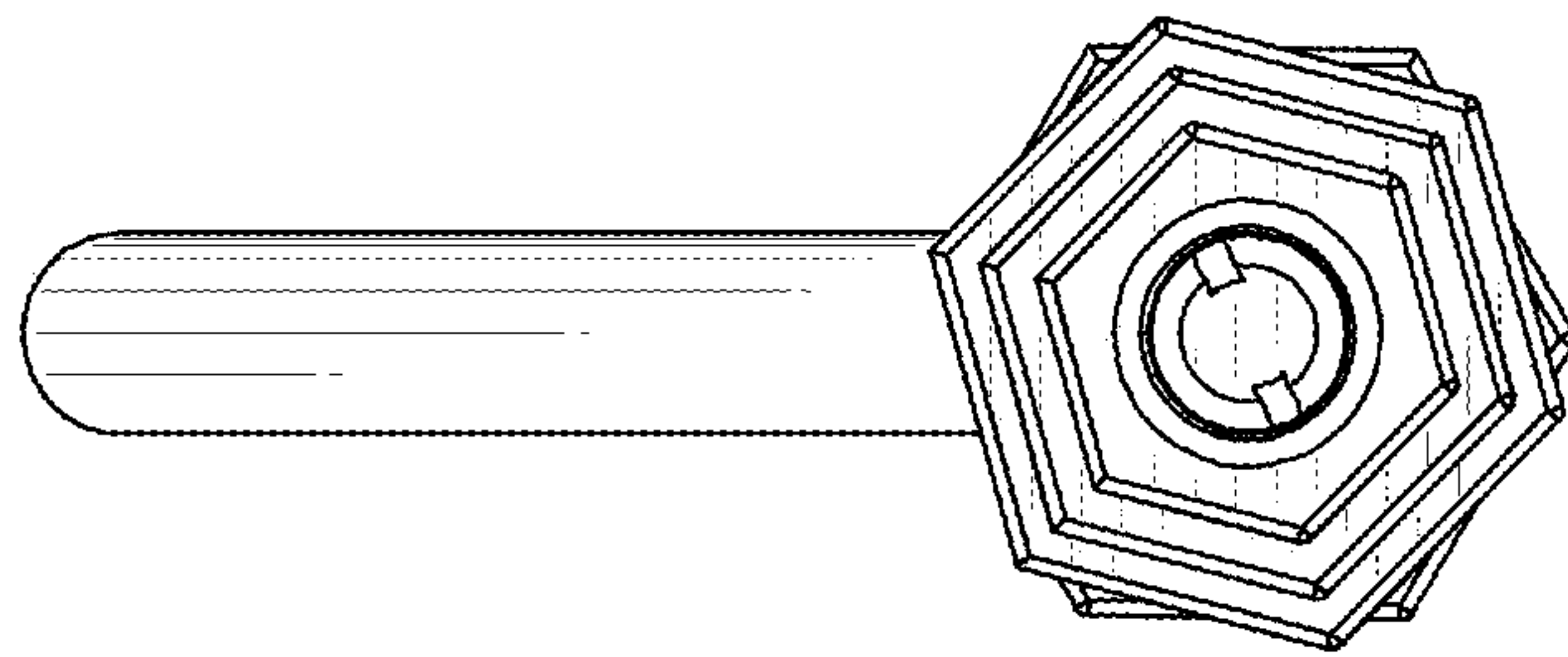


FIG. 6

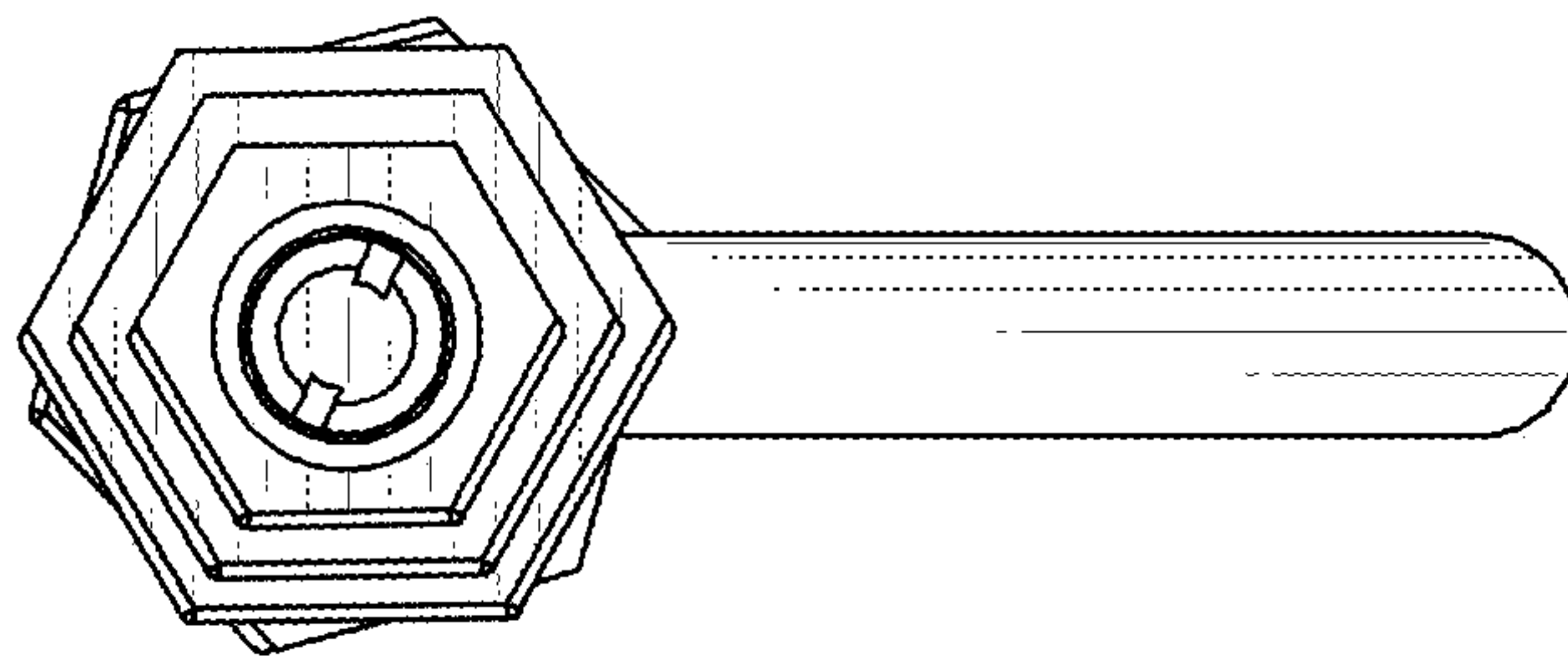


FIG. 7