



US0D1054938S

(12) **United States Design Patent** (10) **Patent No.:** **US D1,054,938 S**
Stoffel et al. (45) **Date of Patent:** **** Dec. 24, 2024**

(54) **AUDIO COMPONENT OF VEHICLE GLASS**

D451,870 S * 12/2001 Hurayt D12/190
D528,054 S * 9/2006 Beigel D12/191
D572,642 S 7/2008 Steckling et al.

(71) Applicant: **Zoox, Inc.**, Foster City, CA (US)

(Continued)

(72) Inventors: **Christopher John Stoffel**, San Carlos, CA (US); **Nahuel Elias Battaglia**, Oakland, CA (US); **Christl Cleblad-Earl**, Oxfordshire (GB); **Herman Francisco Delos Santos**, Duncanville, TX (US); **Richard Luke Osellame**, Redwood City, CA (US); **Andrew David Rudd**, El Granada, CA (US)

FOREIGN PATENT DOCUMENTS

EM 009190259 9/2022
JP D1734174 1/2023

(73) Assignee: **Zoox, Inc.**, Foster City, CA (US)

OTHER PUBLICATIONS

YouTube.com, Zoox, Putting Zoox to the Test, published Mar. 15, 2022 [retrieved Aug. 1, 2024]. Retrieved from the internet<<https://www.youtube.com/watch?v=08KryeUzxGM>> (Year: 2022).*

(Continued)

(**) Term: **15 Years**

Primary Examiner — Joseph Kukella
Assistant Examiner — Lavon M. Amerson
(74) *Attorney, Agent, or Firm* — Lee & Hayes, P.C.

(21) Appl. No.: **29/920,047**

(57) **CLAIM**

(22) Filed: **Dec. 7, 2023**

The ornamental design for an audio component of vehicle glass, as shown and described.

Related U.S. Application Data

DESCRIPTION

(62) Division of application No. 29/834,694, filed on Apr. 13, 2022, now Pat. No. Des. 1,015,242.

(51) **LOC (14) Cl.** **12-16**

(52) **U.S. Cl.**
USPC **D12/190**

(58) **Field of Classification Search**
USPC D12/169, 172, 183, 190–192, 195, 196, D12/222, 401, 402; D14/172, 194, 204, D14/221, 258; D23/260; D6/407
CPC B60R 11/0217; B60R 2001/1276
See application file for complete search history.

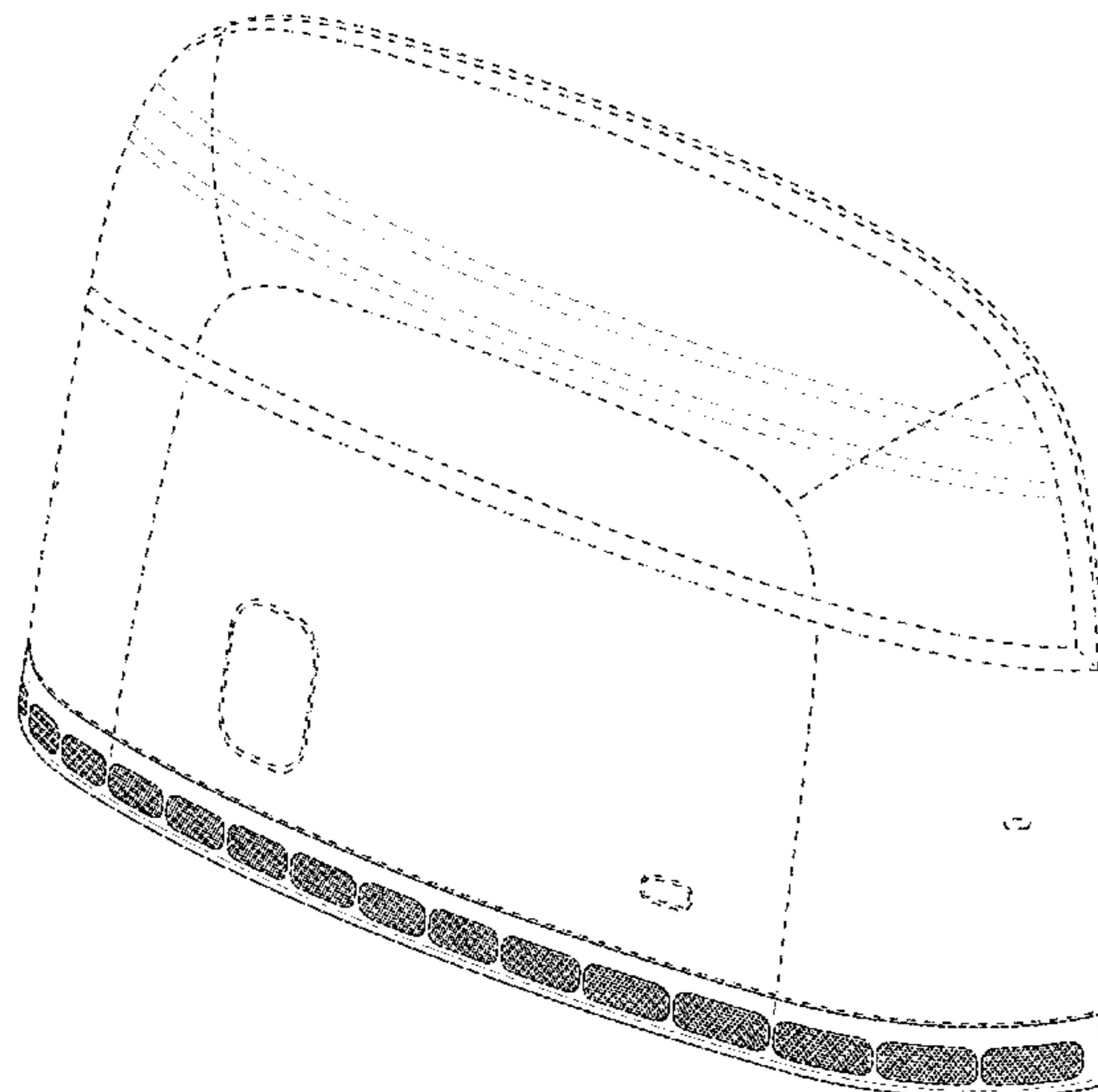
FIG. 1 is a top, front, right-side perspective view of an audio component of vehicle glass;
FIG. 2 is a front view thereof;
FIG. 3 is a back view thereof;
FIG. 4 is a left-side view thereof;
FIG. 5 is a right-side view thereof;
FIG. 6 is a top view thereof;
FIG. 7 is a bottom view thereof; and,
FIG. 8 is a top, front, right-side perspective view shown with a vehicle for environmental context.
The dashed broken lines depict portions of the audio component of vehicle glass that form no part of the claimed design. The dashed broken lines showing the vehicle in FIG. 8 are provided for environmental context and form no part of the claimed design.

(56) **References Cited**

U.S. PATENT DOCUMENTS

D281,412 S * 11/1985 Barnhart D12/190
D397,656 S * 9/1998 Thompson D12/191
D421,946 S * 3/2000 Drone D12/190

1 Claim, 8 Drawing Sheets



(56)

References Cited

OTHER PUBLICATIONS

U.S. PATENT DOCUMENTS

D685,349 S	*	7/2013	Ohno	D14/221
D714,763 S	*	10/2014	Woo	D14/221
D721,059 S	*	1/2015	Lehnert	D14/215
D746,258 S	*	12/2015	Lehnert	D14/204
D768,549 S	*	10/2016	Kushita	D12/190
D775,028 S		12/2016	Bach	
D811,968 S		3/2018	Milton et al.	
D843,975 S	*	3/2019	Ge	D14/221
D886,076 S	*	6/2020	Zhao	D14/204
D893,455 S	*	8/2020	Winton	D14/204
D920,864 S		6/2021	Kentley-Klay et al.	
D924,727 S		7/2021	Kentley-Klay et al.	
D940,611 S	*	1/2022	Rao, Jr.	D12/169
D944,156 S		2/2022	Tuft et al.	
D966,971 S		10/2022	Kentley-Klay et al.	
D974,960 S		1/2023	Kentley-Klay et al.	
D976,918 S		1/2023	Harper et al.	
D991,829 S		7/2023	Kentley-Klay et al.	
D997,107 S		8/2023	Austria et al.	
D1,008,088 S	*	12/2023	Stoffel	D12/86
D1,014,358 S	*	2/2024	Kraus	D12/182
D1,015,242 S	*	2/2024	Stoffel	D12/182

YouTube.com, Global Update, Zoox Showcases Robotaxi Safety Features, published Apr. 14, 2023 [retrieved Aug. 1, 2024]. Retrieved from the internet<<https://www.youtube.com/watch?app=desktop&v=R93dm1WJXHk>> (Year: 2023).*

Automotive New, “NHTSA investigating how Zoox self-certified its robotaxi”, retrieved Sep. 12, 2023, at <<<https://www.autonews.com/mobility-report/nhtsa-opens-probe-self-driving-tech-company>>>, 2023, 2 pgs.

Chinese Office Action mailed Jul. 24, 2023 for Chinese Patent Application No. 202230670182.9, a foreign counterpart to U.S. Appl. No. 29/834,694, 4 pages.

Translated Japanese Office Action mailed Feb. 10, 2023, for Japanese Design Application No. 2022-021837, a foreign counterpart of Design U.S. Appl. No. 29/834,694, 3 pages.

Youtube.com, “Amazon Zoox Autonomous Robotaxi”, retrieved Sep. 12, 2023, at <<<https://www.youtube.com/watch?v=DekzFrNHw8U>>>, 2020, 1 pg.

* cited by examiner

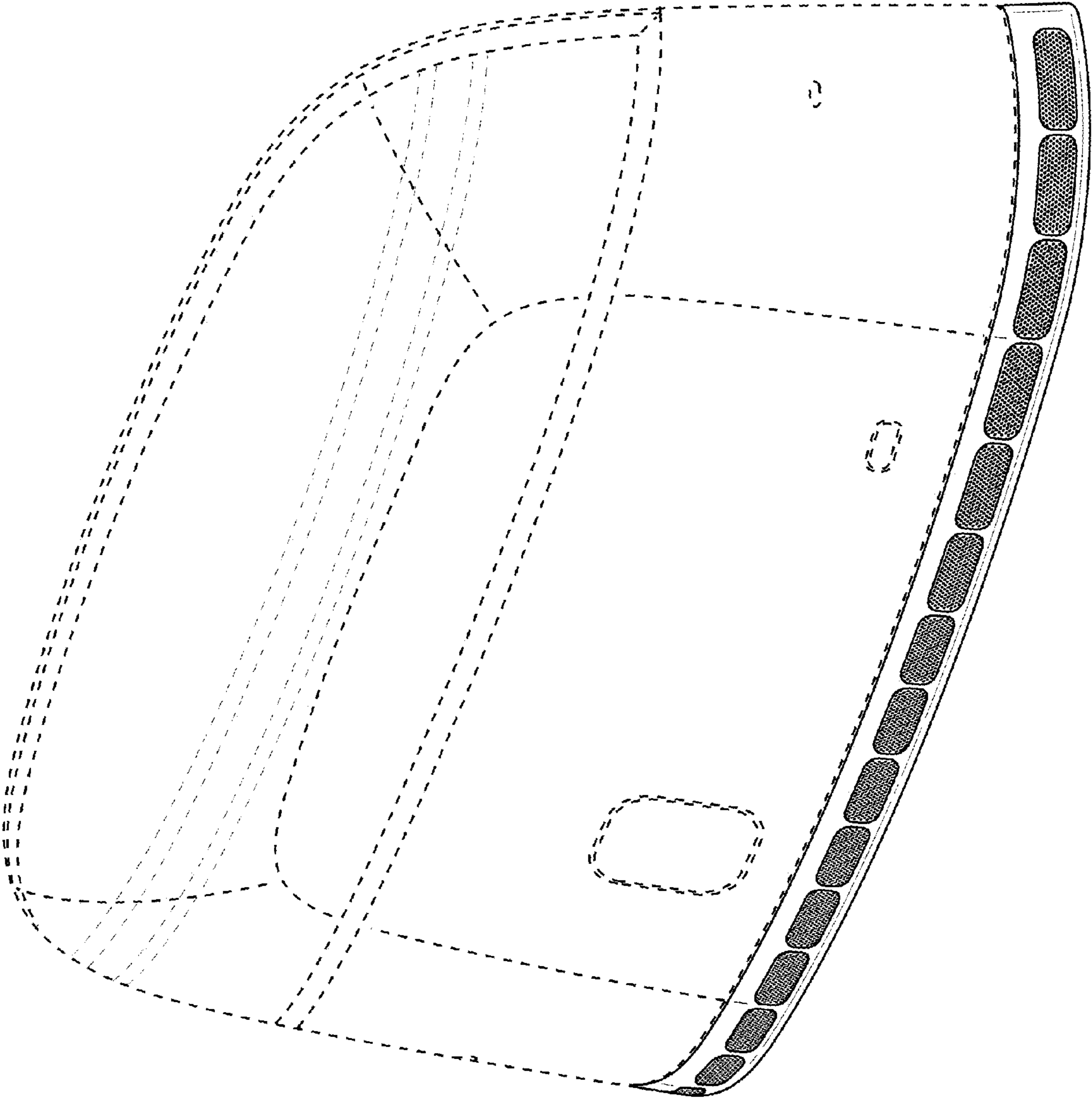


FIG. 1

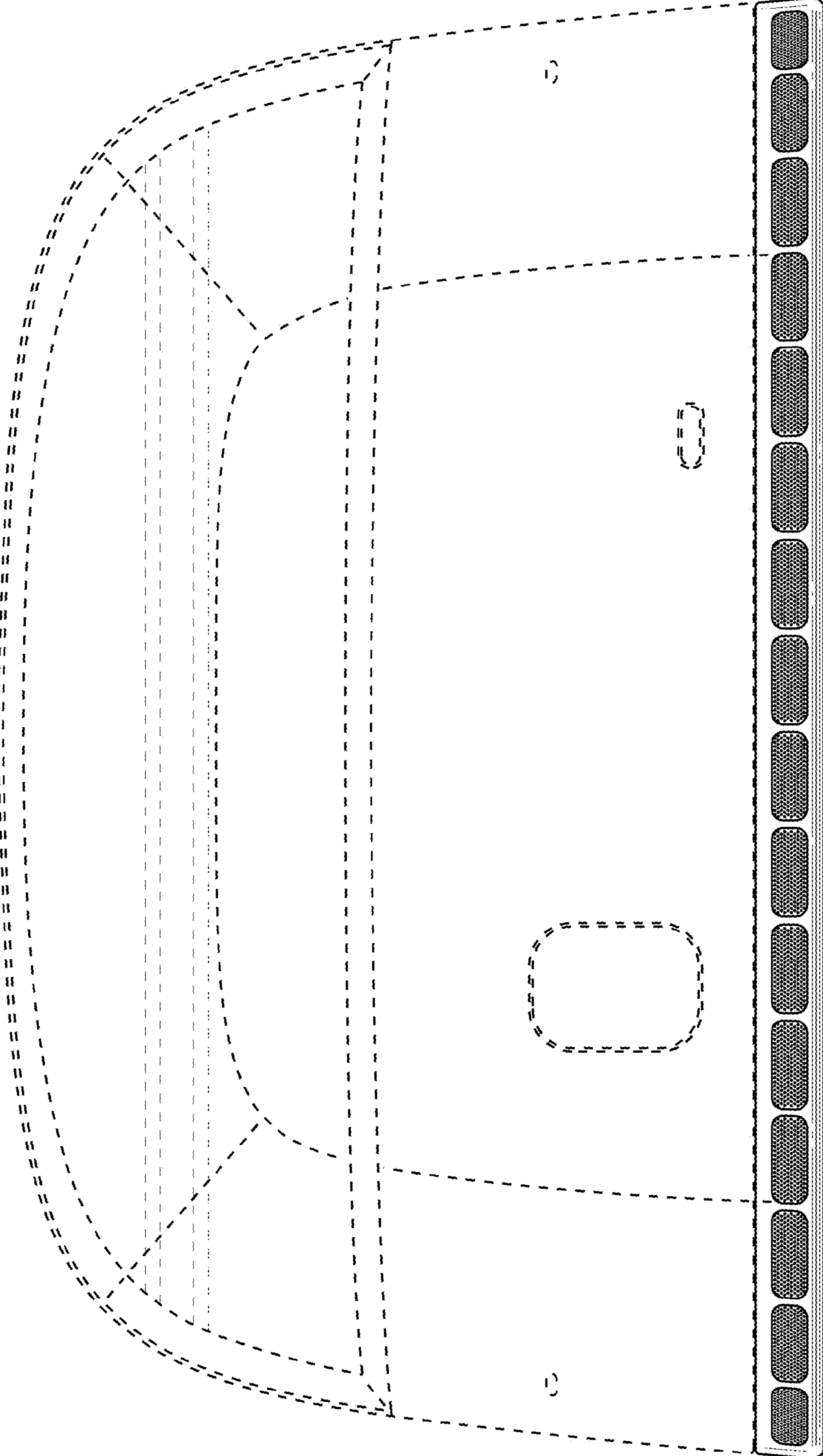


FIG. 2

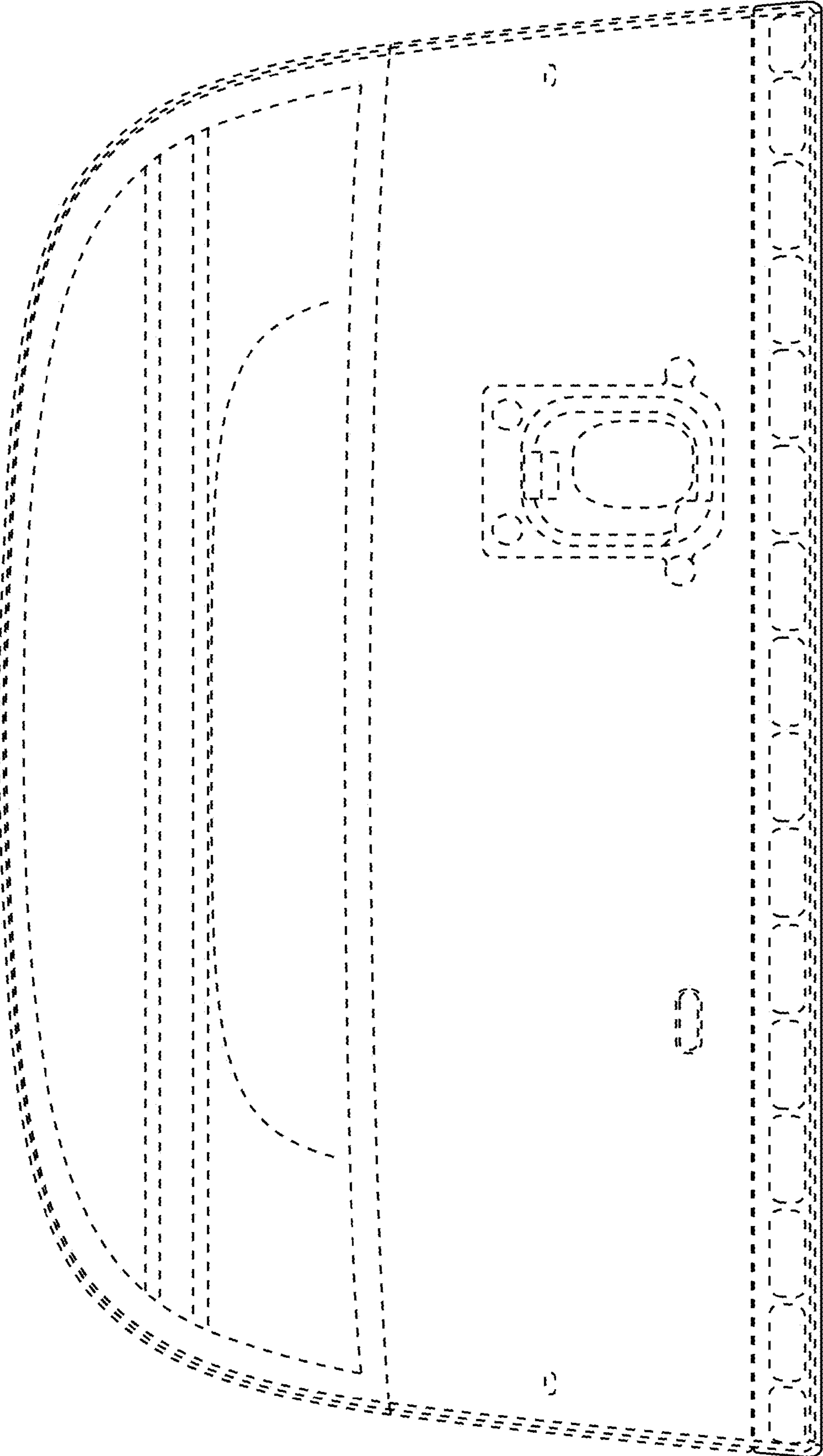


FIG. 3

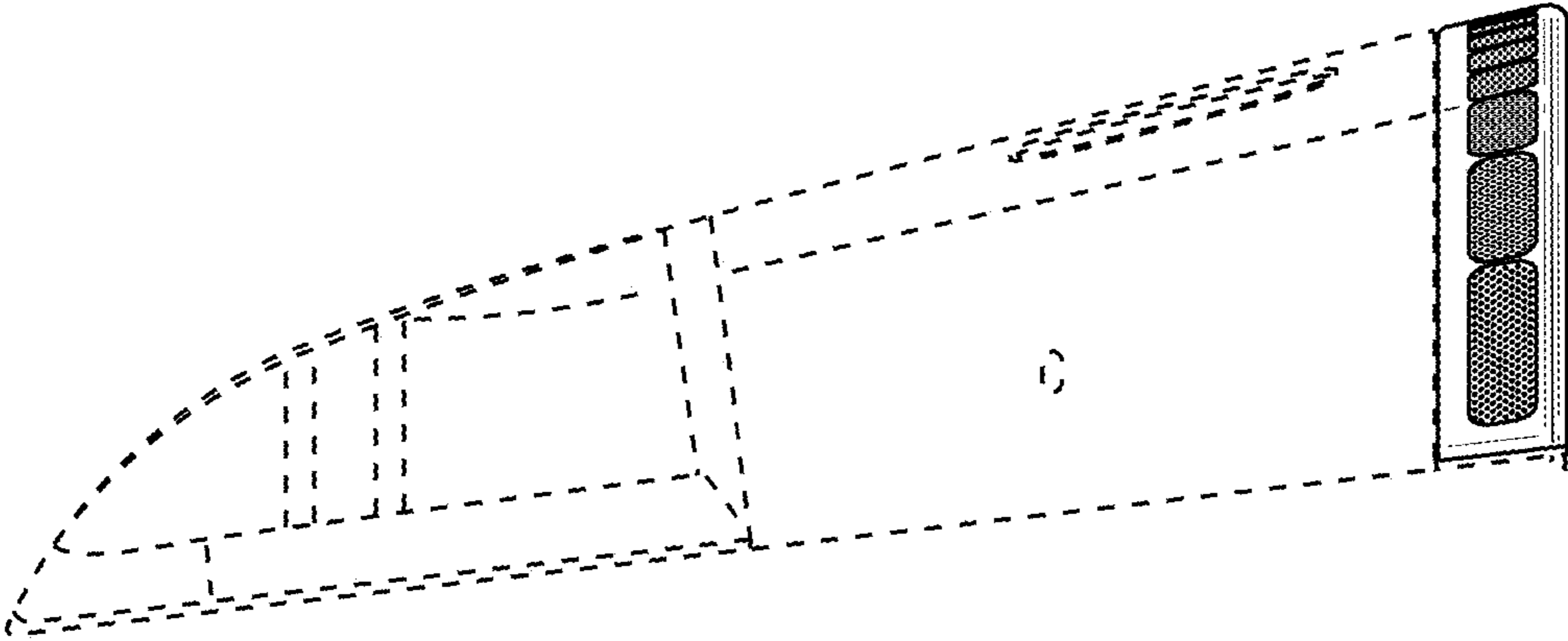


FIG. 4

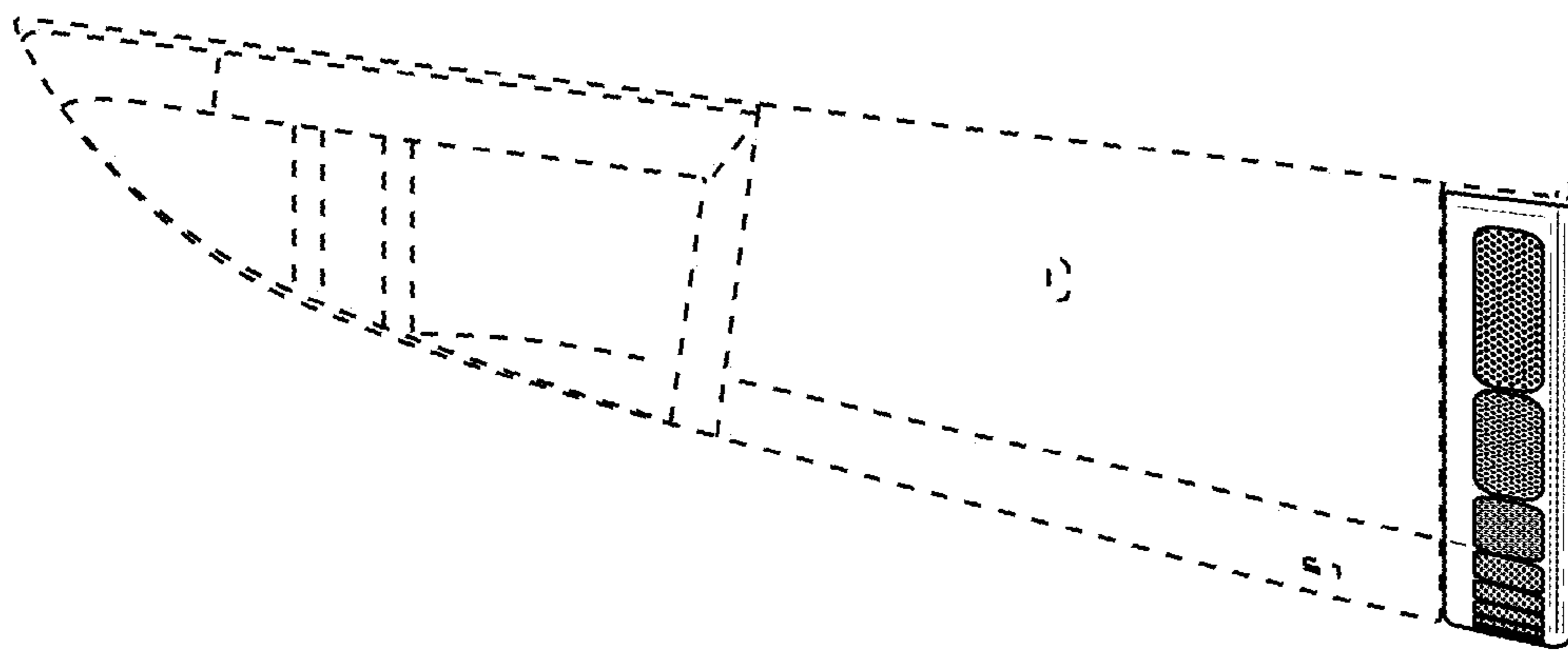


FIG. 5

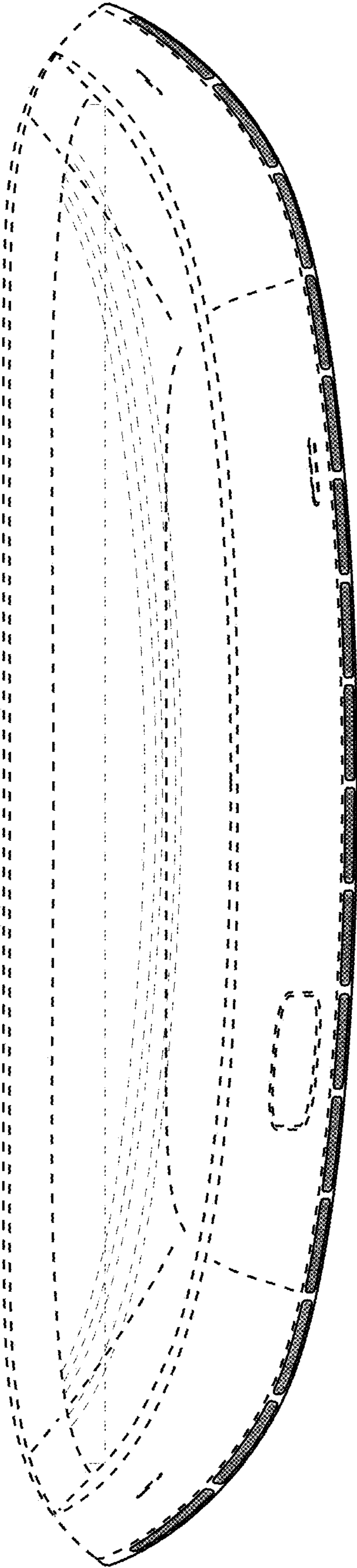


FIG. 6

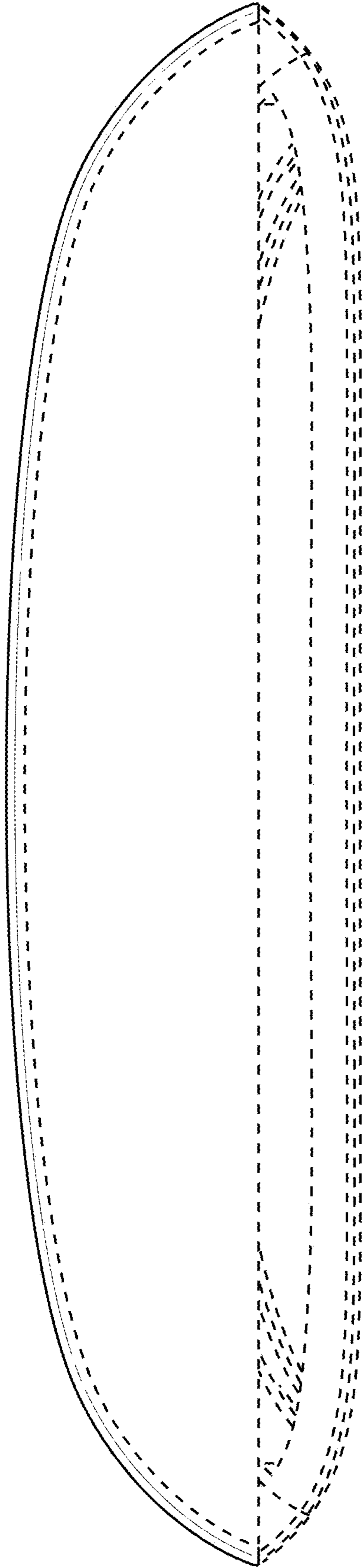


FIG. 7

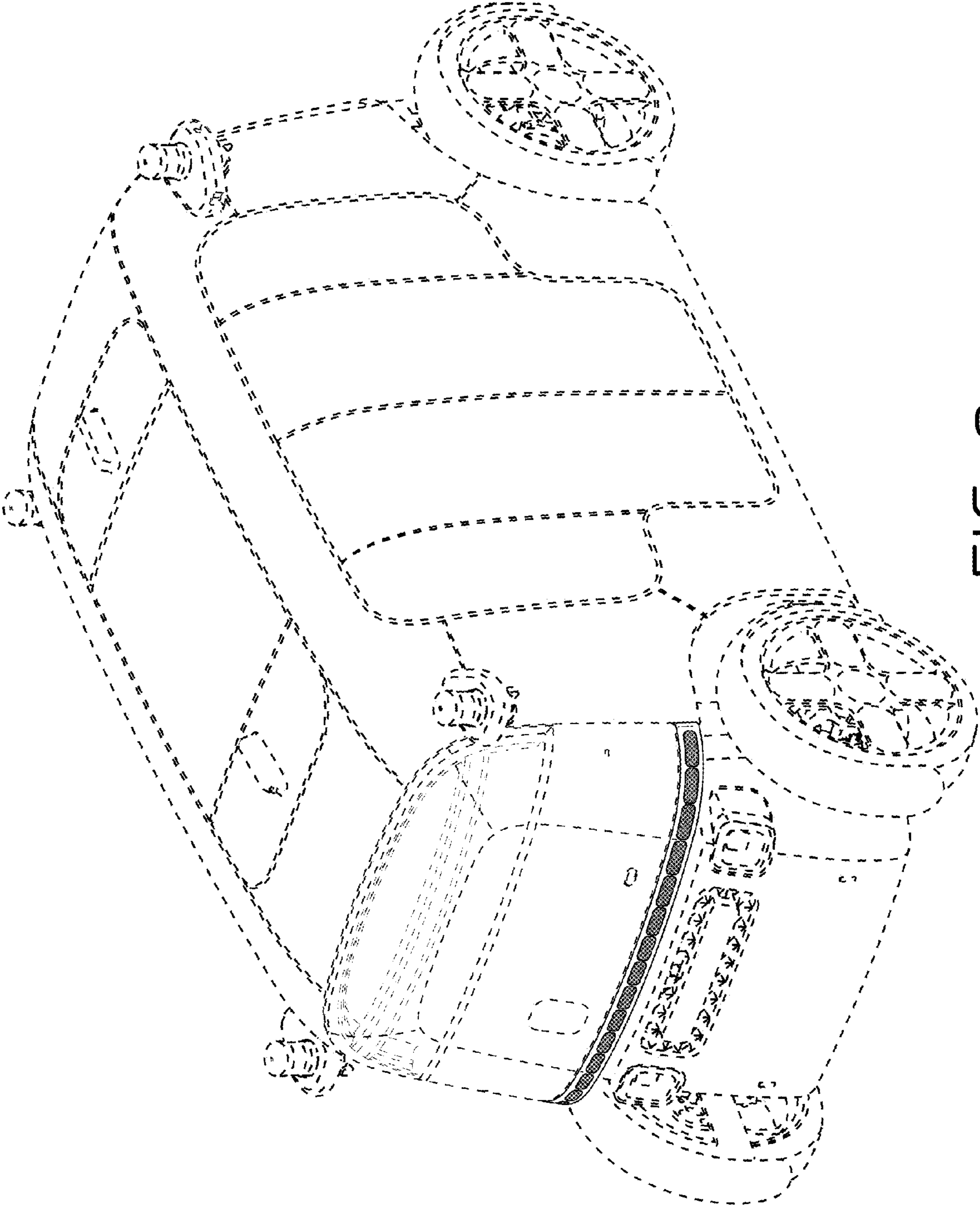


FIG. 8