



US0D1054875S

(12) **United States Design Patent** (10) **Patent No.:** **US D1,054,875 S**  
**Cox et al.** (45) **Date of Patent:** **\*\* \*Dec. 24, 2024**

(54) **BOTTLE**

(71) Applicant: **Homecourt Inc.**, Santa Monica, CA (US)

(72) Inventors: **Courtney Cox**, Malibu, CA (US); **Sarah Jahnke**, Dallas, TX (US); **Nick Axelrod-Welk**, Los Angeles, CA (US)

(73) Assignee: **Homecourt Inc.**, Santa Monica, CA (US)

(\* ) Notice: This patent is subject to a terminal disclaimer.

(\*\*) Term: **15 Years**

(21) Appl. No.: **29/883,225**

(22) Filed: **Jan. 25, 2023**

(51) **LOC (14) Cl.** ..... **09-01**

(52) **U.S. Cl.**  
USPC ..... **D9/694**; D6/542

(58) **Field of Classification Search**  
USPC ..... D9/682, 684, 685, 688, 689, 690, 691, D9/693, 694, 738, 516, 519, 549; D6/542  
CPC ..... A45D 34/02; A45D 2034/0002; A45D 2034/0005; A45D 2200/05; B05B 11/3098; B65D 83/16; B65D 83/20; B65D 83/201; B65D 83/205; B65D 83/206; B65D 83/207; B65D 83/38; B65D 83/382; B65D 83/384; B65D 83/386

See application file for complete search history.

(56) **References Cited**

**U.S. PATENT DOCUMENTS**

D275,933 S \* 10/1984 Topor ..... D9/448  
D486,062 S \* 2/2004 Huang ..... D9/694  
D525,534 S \* 7/2006 Snell ..... D6/542  
D569,736 S \* 5/2008 Oates ..... D9/694  
D610,917 S \* 3/2010 Ho ..... D9/694  
D639,666 S 6/2011 Hawry et al.

D716,665 S \* 11/2014 O'Donahue ..... D9/693  
D723,381 S \* 3/2015 O'Donahue ..... D9/693  
D951,771 S 5/2022 Paiji et al.  
D951,776 S \* 5/2022 Shi ..... D9/682  
D1,005,127 S 11/2023 Peer

(Continued)

**FOREIGN PATENT DOCUMENTS**

CA 139411 S 10/2011  
EM 015029158-0001 8/2023

(Continued)

**OTHER PUBLICATIONS**

Hand Wash, posted Oct. 16, 2023 [retrieved Apr. 10, 2024]. Retrieved from internet, <https://www.amazon.com/Homecourt-Hand-Wash-Cleanses-Hydrates/dp/B0CC3X76KF> (Year: 2023).  
Homecourt, posted Nov. 16, 2022 [retrieved Apr. 10, 2024]. Retrieved from internet, <https://www.wellandgood.com/homecourt-review/> (Year: 2022).  
Courtney Cox's Non-Toxic Cleaning Products, posted Mar. 1, 2023 [retrieved Apr. 10, 2024]. Retrieved from internet, <https://www.thekitchn.com/homecourt-kitchen-cleaner-trio-review-23509657> (Year: 2023).

(Continued)

*Primary Examiner* — Darcey E Gottschalk  
*Assistant Examiner* — Haley K Schnebele  
(74) *Attorney, Agent, or Firm* — Young Basile Hanlon & MacFarlane, P.C.

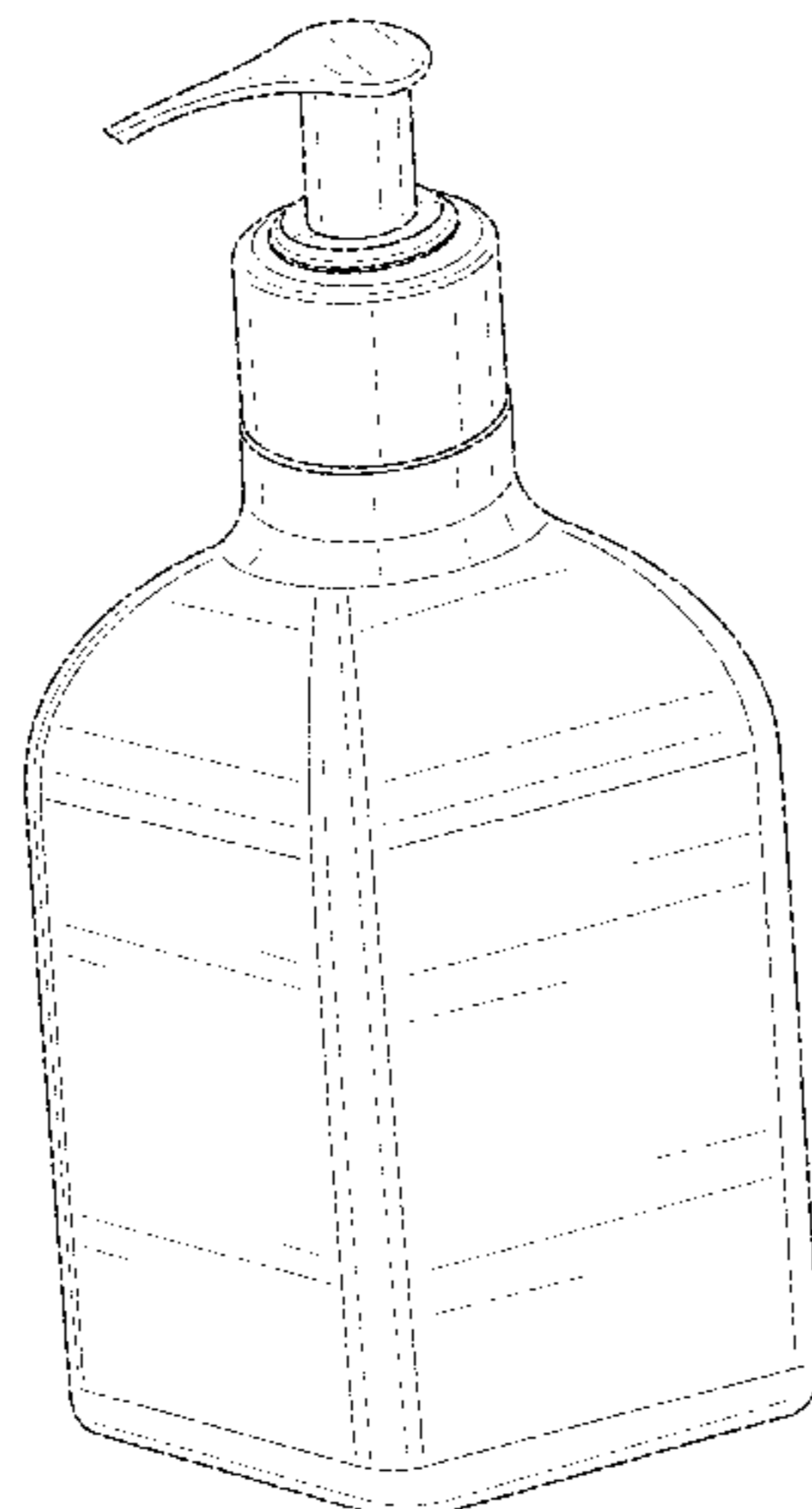
(57) **CLAIM**

The ornamental design for a bottle, as shown and described.

**DESCRIPTION**

FIG. 1 is a front, upper, left perspective view of a bottle of our new design;  
FIG. 2 is a rear, lower, right perspective view;  
FIG. 3 is a left view thereof;  
FIG. 4 is a right view thereof;  
FIG. 5 is a front view thereof;  
FIG. 6 is a rear view thereof;  
FIG. 7 is a top view thereof; and,  
FIG. 8 is a bottom view thereof.

**1 Claim, 8 Drawing Sheets**



(56)

**References Cited**

U.S. PATENT DOCUMENTS

D1,014,281 S \* 2/2024 Hughes ..... D9/694  
 D1,015,882 S 2/2024 Subbiah  
 D1,015,889 S \* 2/2024 Hughes ..... D9/694  
 D1,015,890 S \* 2/2024 Hughes ..... D9/694  
 D1,015,891 S \* 2/2024 Hughes ..... D9/694  
 2011/0180568 A1 7/2011 Gillispie et al.

FOREIGN PATENT DOCUMENTS

EM 015029158-0002 8/2023  
 EM 015029158-0003 \* 8/2023  
 EM 015029158-0004 \* 8/2023  
 GB 8078590000-1000 \* 5/2012  
 WO WO-D078590-001 \* 7/2012

OTHER PUBLICATIONS

I Tried Courteney Cox's Luxe Home-Care and Cleaning Brand, posted Sep. 21, 2022 [retrieved Apr. 10, 2024]. Retrieved from internet, <https://www.popsugar.com/home/homecourt-products-review-48956312> (Year: 2022).\*

Il Palagio Extra Virgin Olive Oil by Sting, <https://www.walmart.com/ip/Il-Palagio-Extra-Virgin-Olive-Oil-by-Sting/233194724>, Jan. 26, 2023, 4 pages.

Surface Cleaner Spray, posted Jul. 17, 2023 [retrieved Apr. 10, 2024], Retrieved from internet, <https://www.amazon.com/Homecourt-Surface-Cleaner-All-Purpose-Formula/dp/BOCC3T6WPG> (Year: 2023).

Square Spray Bottle, posted Jun. 1, 2023 [retrieved Apr. 10, 2024], Retrieved from internet, <https://www.amazon.com/YARNOW-Cosmetic-Container-Moisturizing-Toiletries/dp/BOC6T1-FX77?th=1> (Year: 2023).

\* cited by examiner



FIG. 1



FIG. 2



FIG. 3



FIG. 4



FIG. 5



FIG. 6



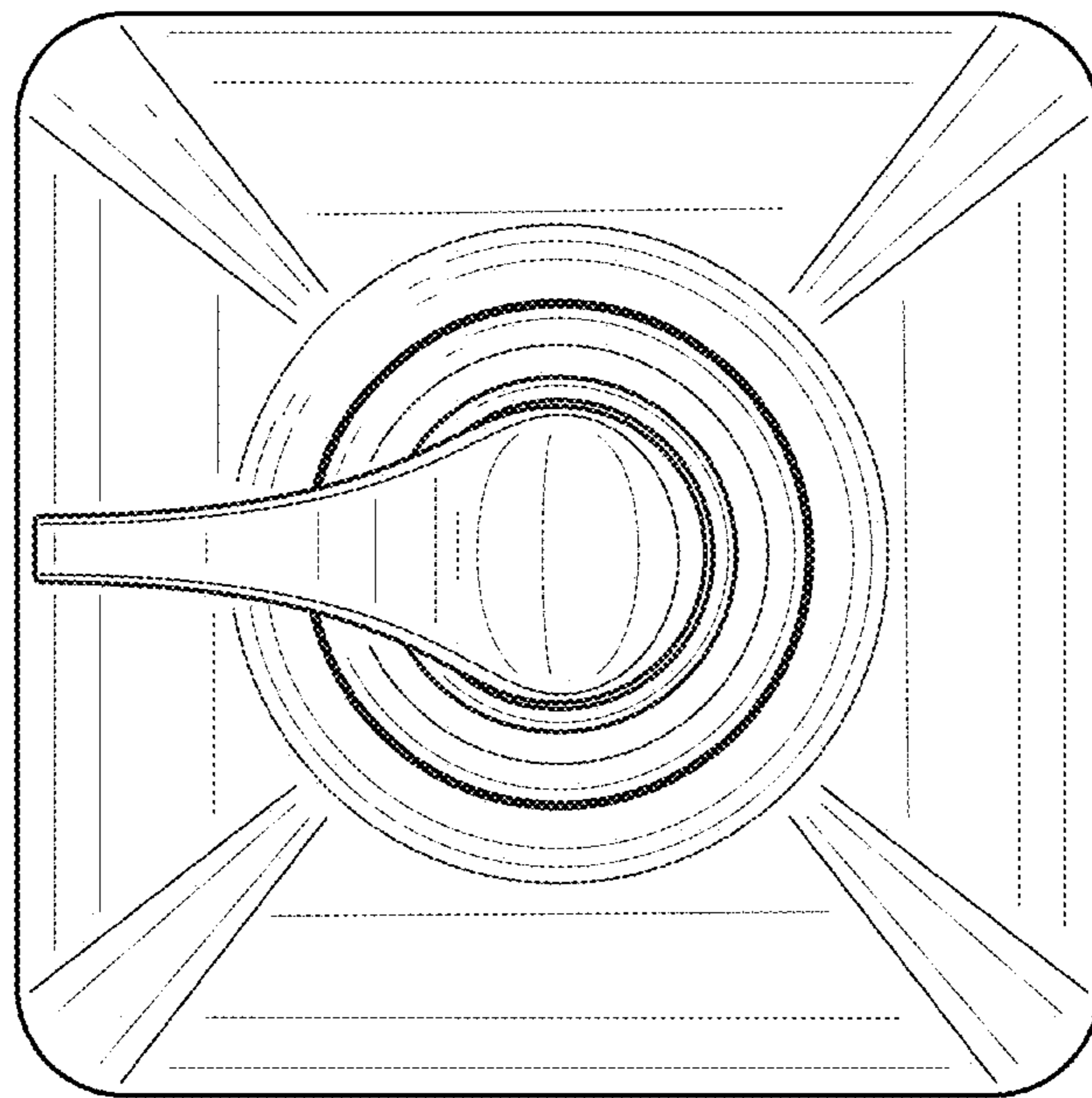


FIG. 7

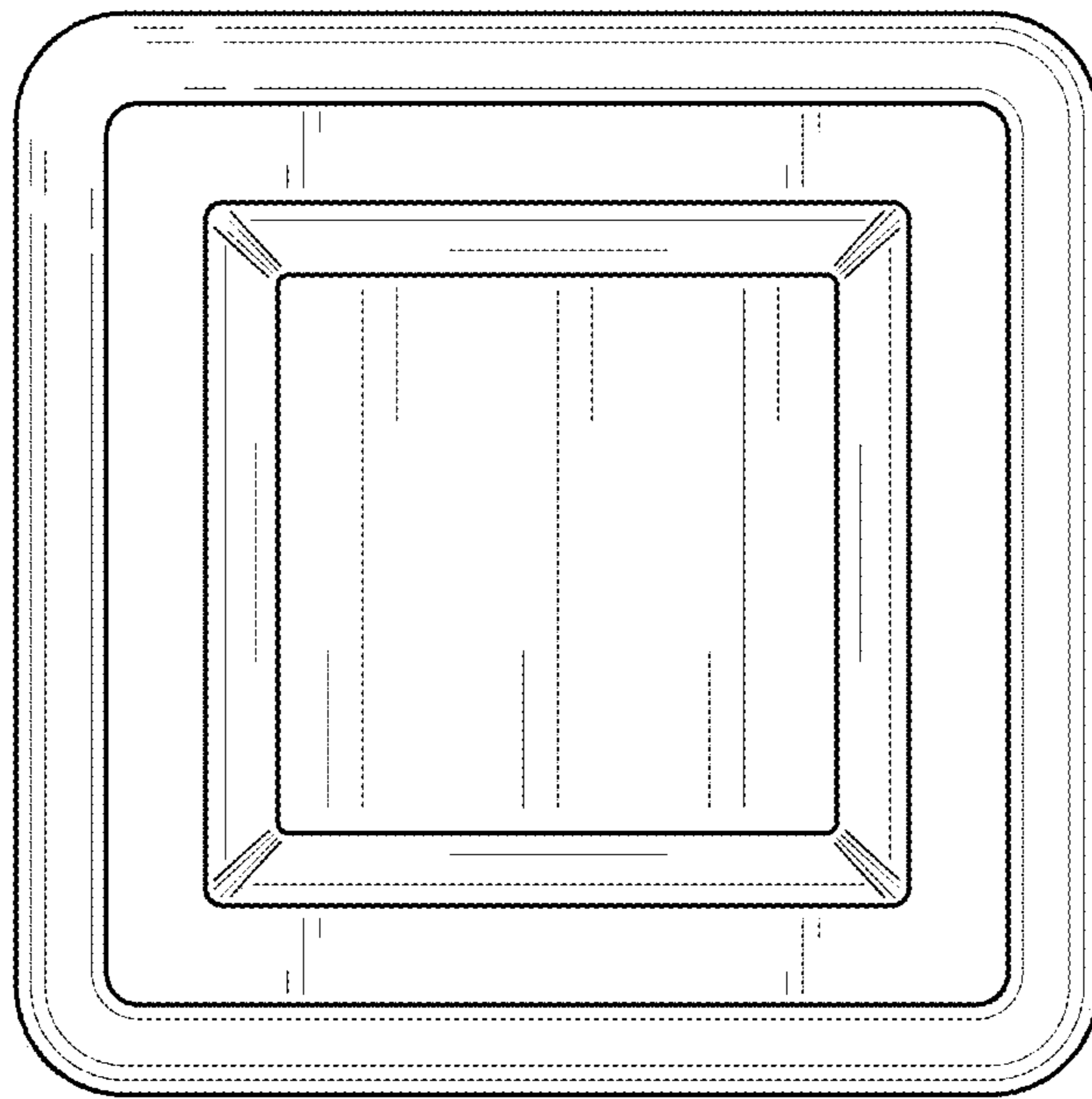


FIG. 8