



US0D1054820S

(12) **United States Design Patent** (10) **Patent No.:** **US D1,054,820 S**
Yi (45) **Date of Patent:** **** Dec. 24, 2024**

(54) **ATTACHMENT FOR GRINDING TOOL**

2013/0205604 A1 8/2013 Esenwein
2016/0236319 A1* 8/2016 Persson B24B 41/06
2018/0071892 A1* 3/2018 Jung B24B 55/02

(71) Applicant: **Wen Yi**, Shenzhen (CN)

(72) Inventor: **Wen Yi**, Shenzhen (CN)

(**) Term: **15 Years**

FOREIGN PATENT DOCUMENTS

EP 0855949 B1 5/2000

(21) Appl. No.: **29/830,374**

OTHER PUBLICATIONS

(22) Filed: **Mar. 11, 2022**

TIG Welding Tungsten Sharpener Build, Retrieved from Internet, Nov. 7, 2020 <URL: https://www.youtube.com/watch?v=0kr_evSFsNA>.

(51) **LOC (14) Cl.** **08-05**

(52) **U.S. Cl.**
USPC **D8/70; D8/90**

(58) **Field of Classification Search**
USPC D8/62, 70, 90, 91
CPC B24B 3/00; B24B 1/00
See application file for complete search history.

* cited by examiner

Primary Examiner — Keli L Hill
Assistant Examiner — Harold E Blackwell, II

(56) **References Cited**

(57) **CLAIM**

U.S. PATENT DOCUMENTS

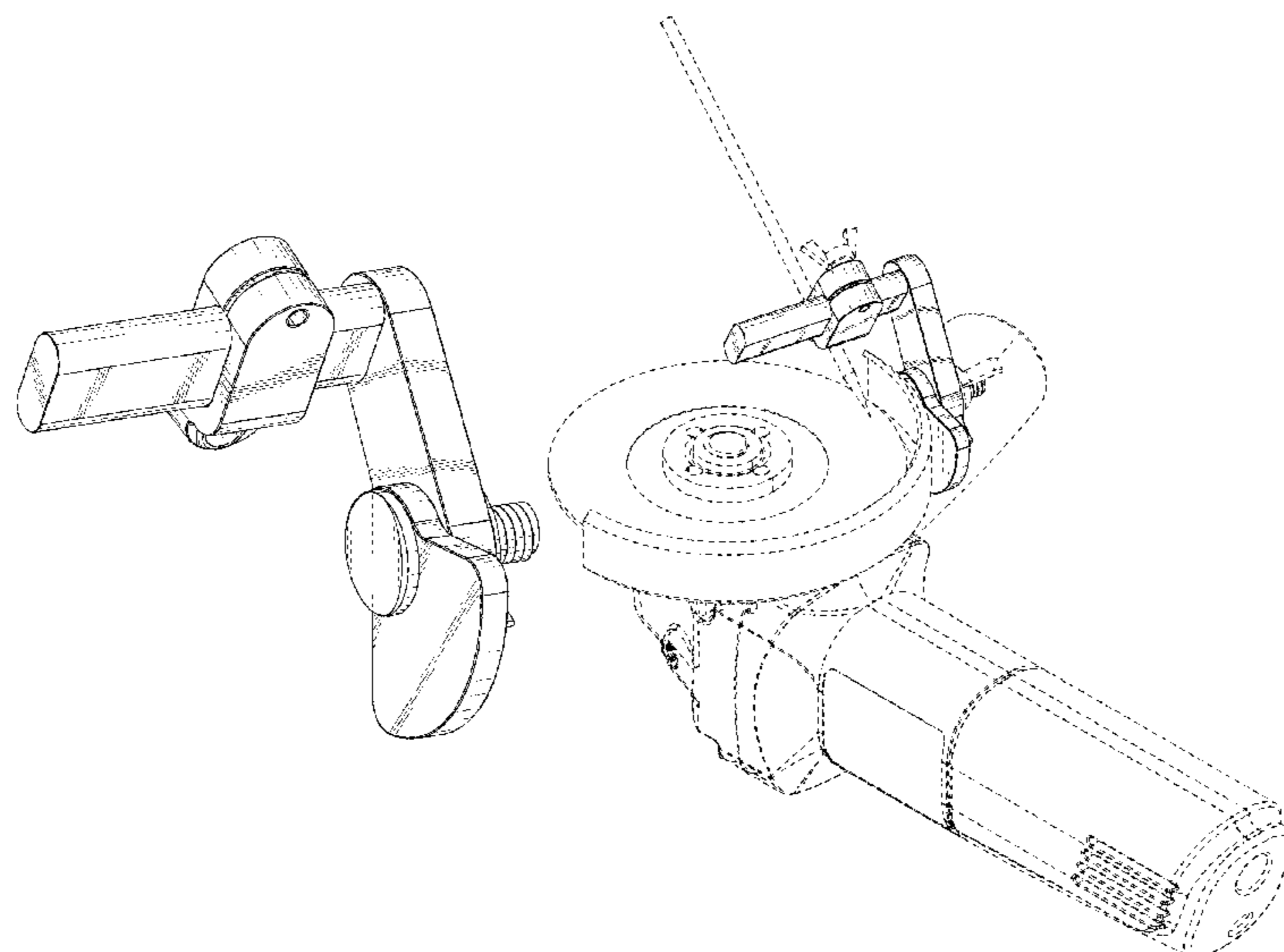
The ornamental design for an attachment for grinding tool, as shown and described.

2,887,833	A *	5/1959	Passarotti	B24B 41/066	451/367
2,938,311	A *	5/1960	Chambers	B24B 41/066	451/371
3,089,286	A *	5/1963	Ulrich	B24B 3/365	451/421
3,488,894	A *	1/1970	Green	B24B 3/04	451/403
3,783,915	A *	1/1974	Bryden	B25H 1/0042	408/239 R
D232,153	S *	7/1974	Pepper	D8/70	
4,059,928	A *	11/1977	Marchitello	B24B 3/247	451/415
D344,529	S *	2/1994	Gowdy	D15/140	
5,466,183	A	11/1995	Kirn		
D383,659	S *	9/1997	Norman	D8/70	
D522,338	S *	6/2006	Heun	D8/70	
10,796,859	B2	10/2020	Lutz		
2002/0197942	A1*	12/2002	Jansson	B24B 3/38	451/365
2008/0274678	A1*	11/2008	Jansson	B24B 41/06	451/367
2010/0304648	A1	12/2010	Boeck		

DESCRIPTION

FIG. 1 is a top perspective view of an attachment for grinding tool showing my new design; FIG. 2 is another top perspective view thereof; FIG. 3 is a bottom perspective view thereof; FIG. 4 is a front elevational view thereof; FIG. 5 is a rear elevational view thereof; FIG. 6 is a top plan view thereof; FIG. 7 is a bottom view thereof; FIG. 8 is a right-side elevational view thereof; FIG. 9 is a left-side elevational view thereof; and, FIG. 10 is a top perspective view thereof, showing the environmental grinding tool and tungsten electrode. The broken lines in FIG. 10 represent environment and form no part of the claimed design.

1 Claim, 10 Drawing Sheets



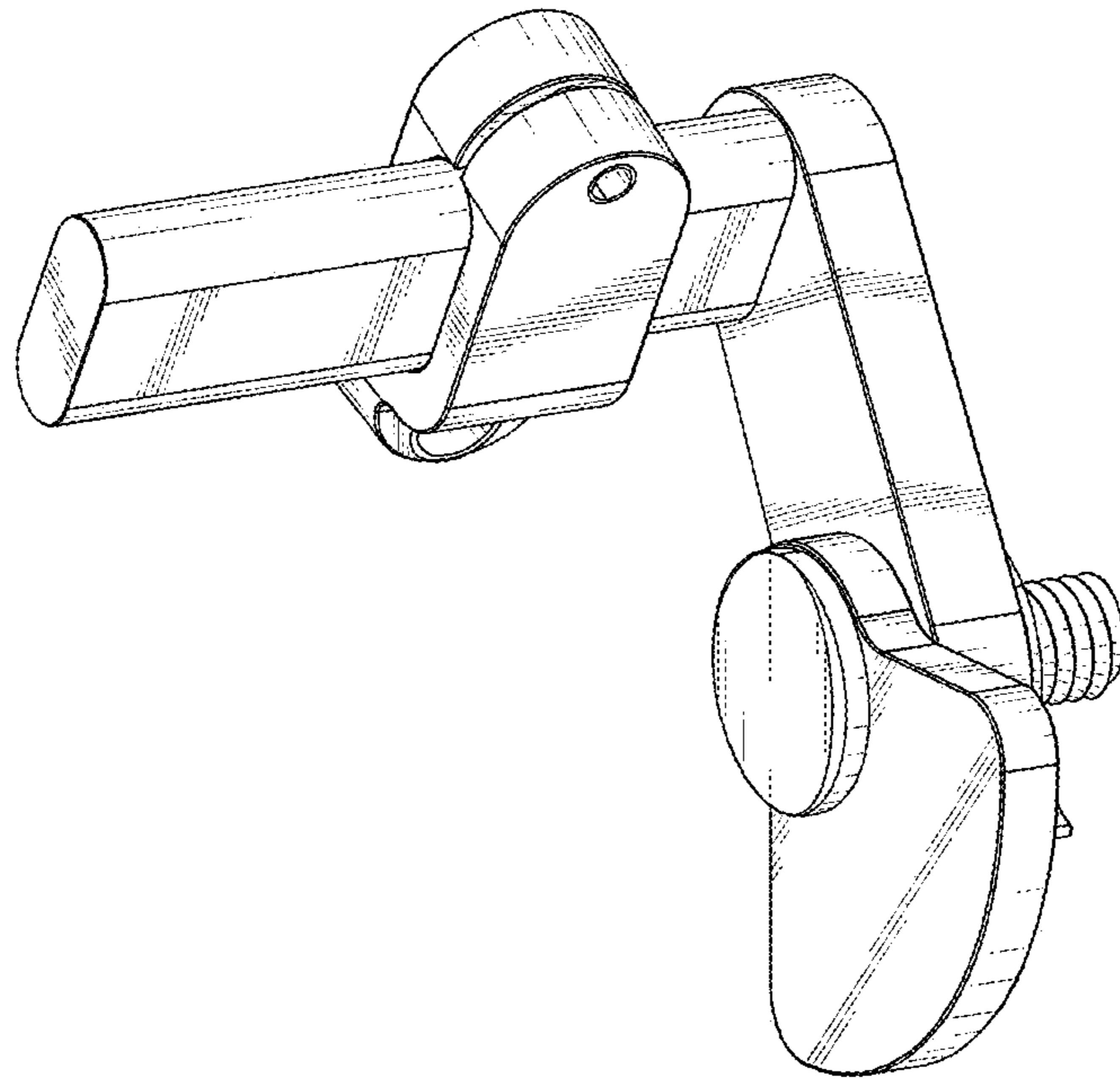


FIG. 1

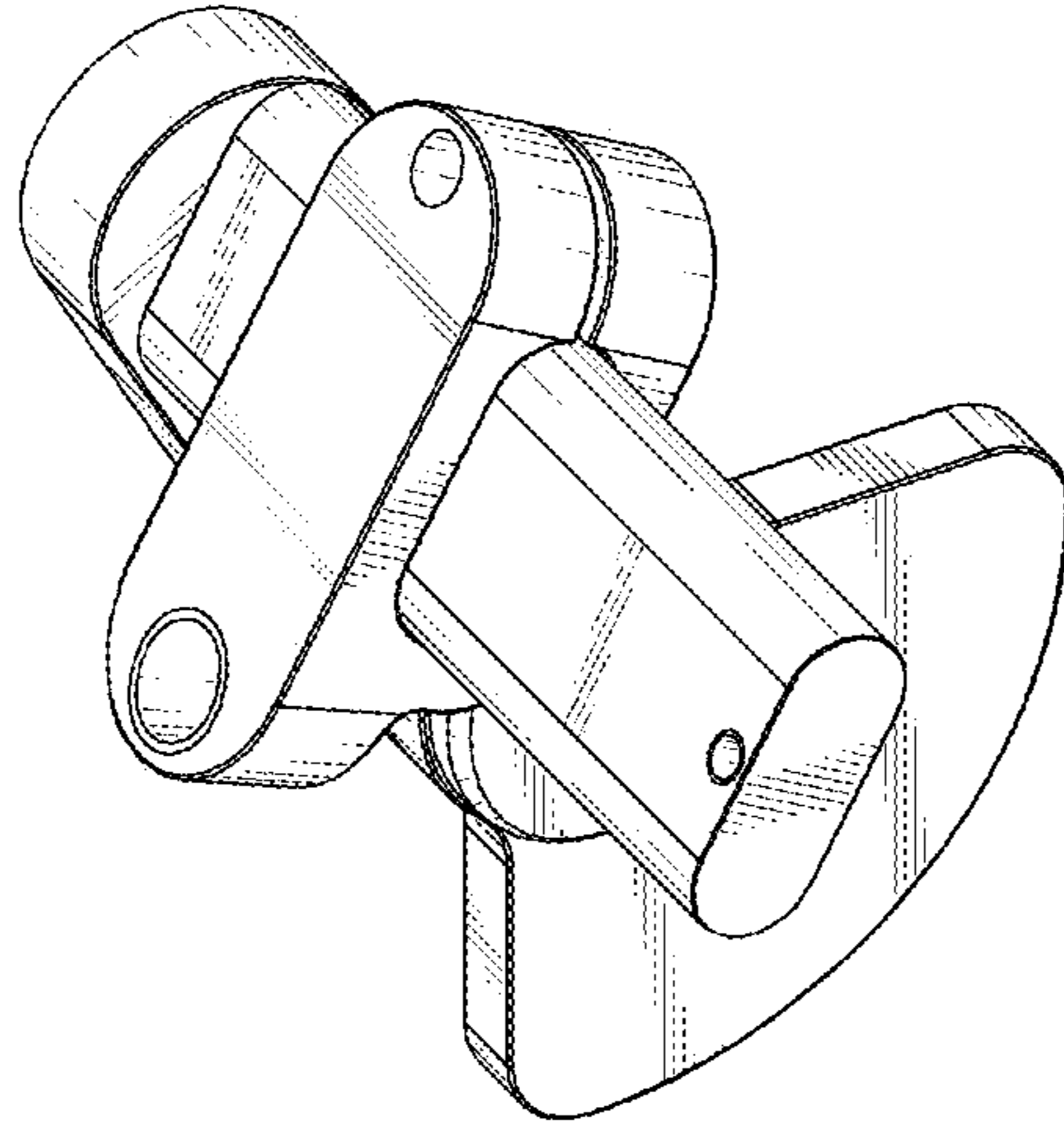


FIG. 2

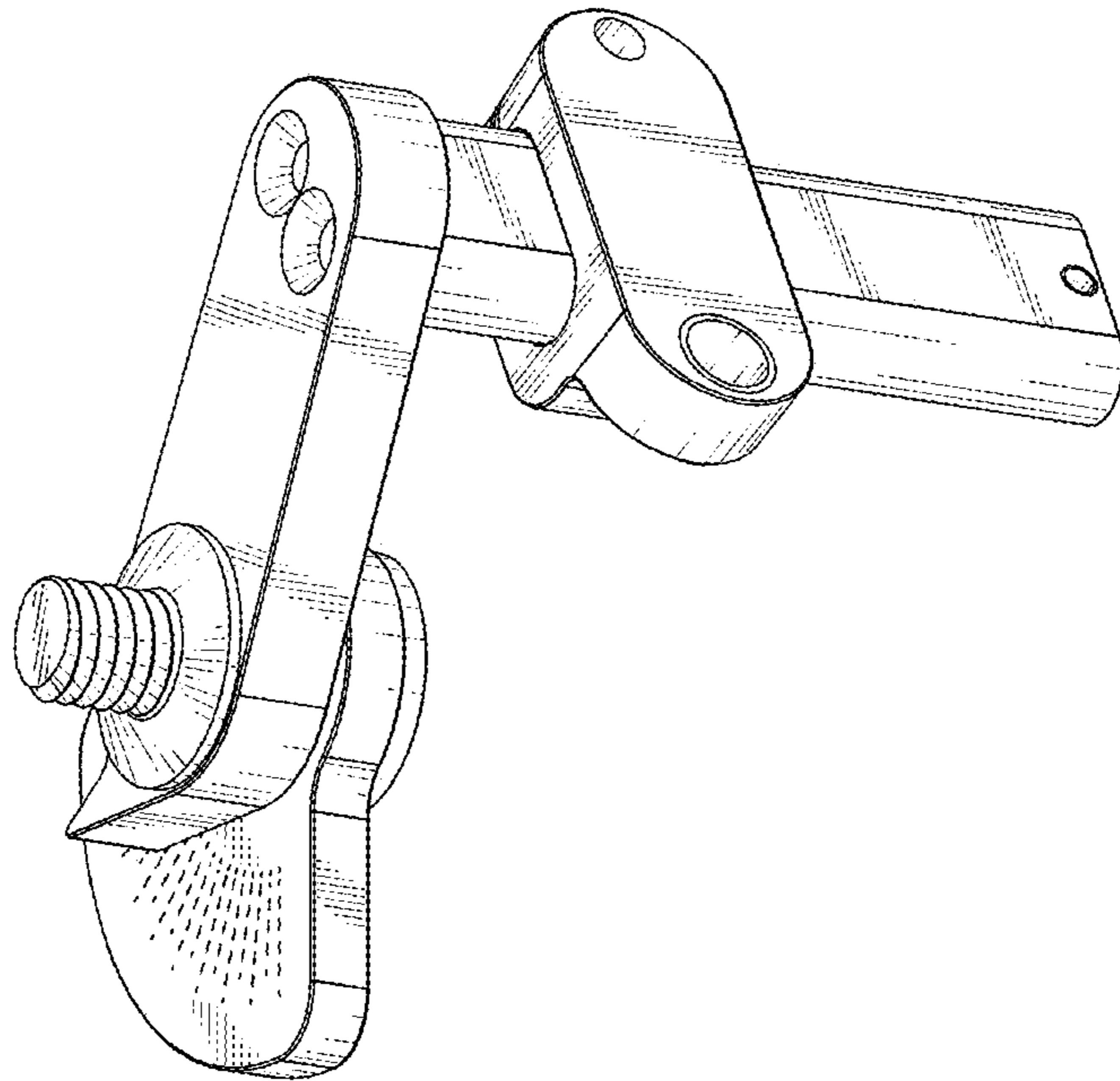


FIG. 3

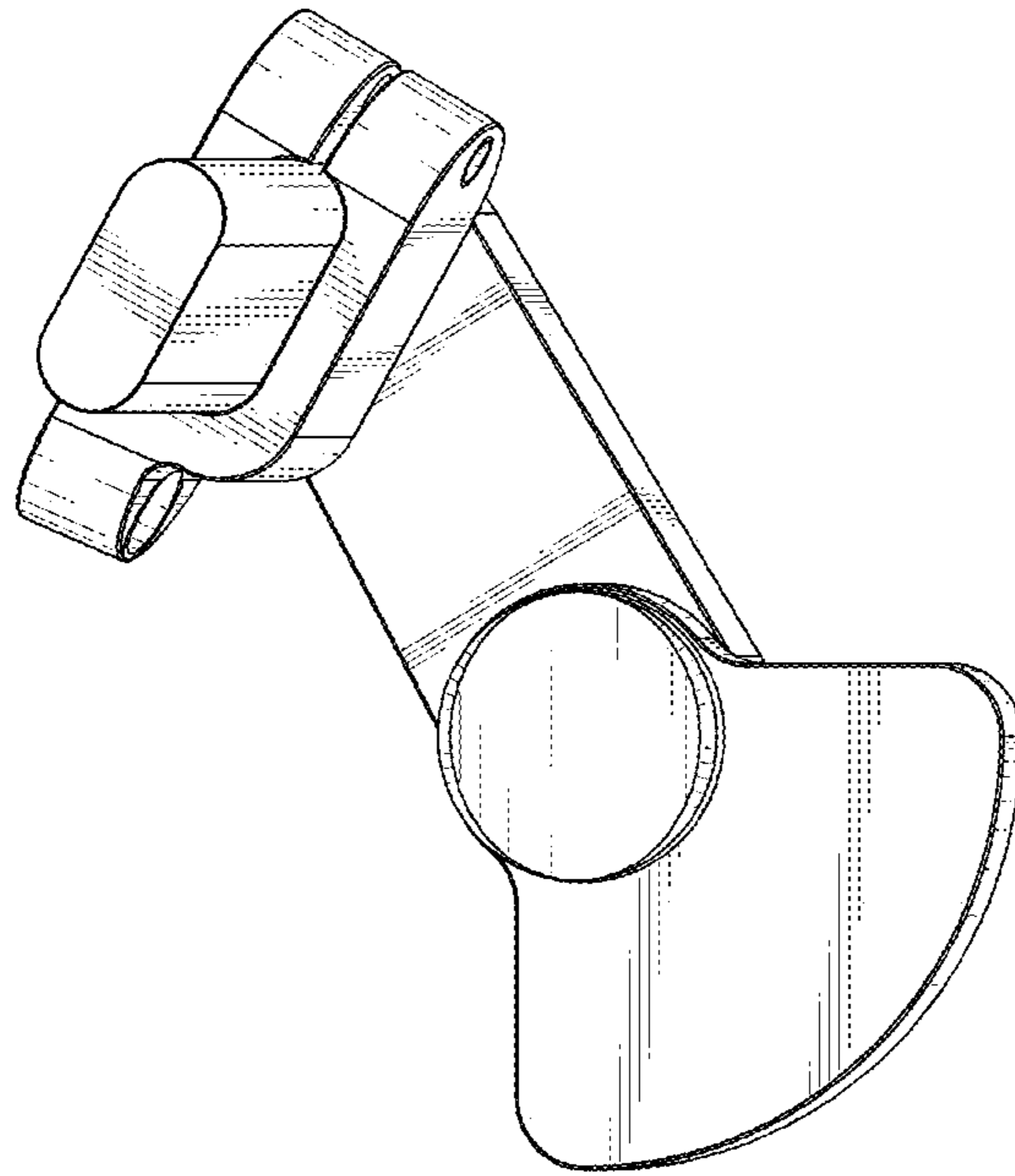


FIG. 4

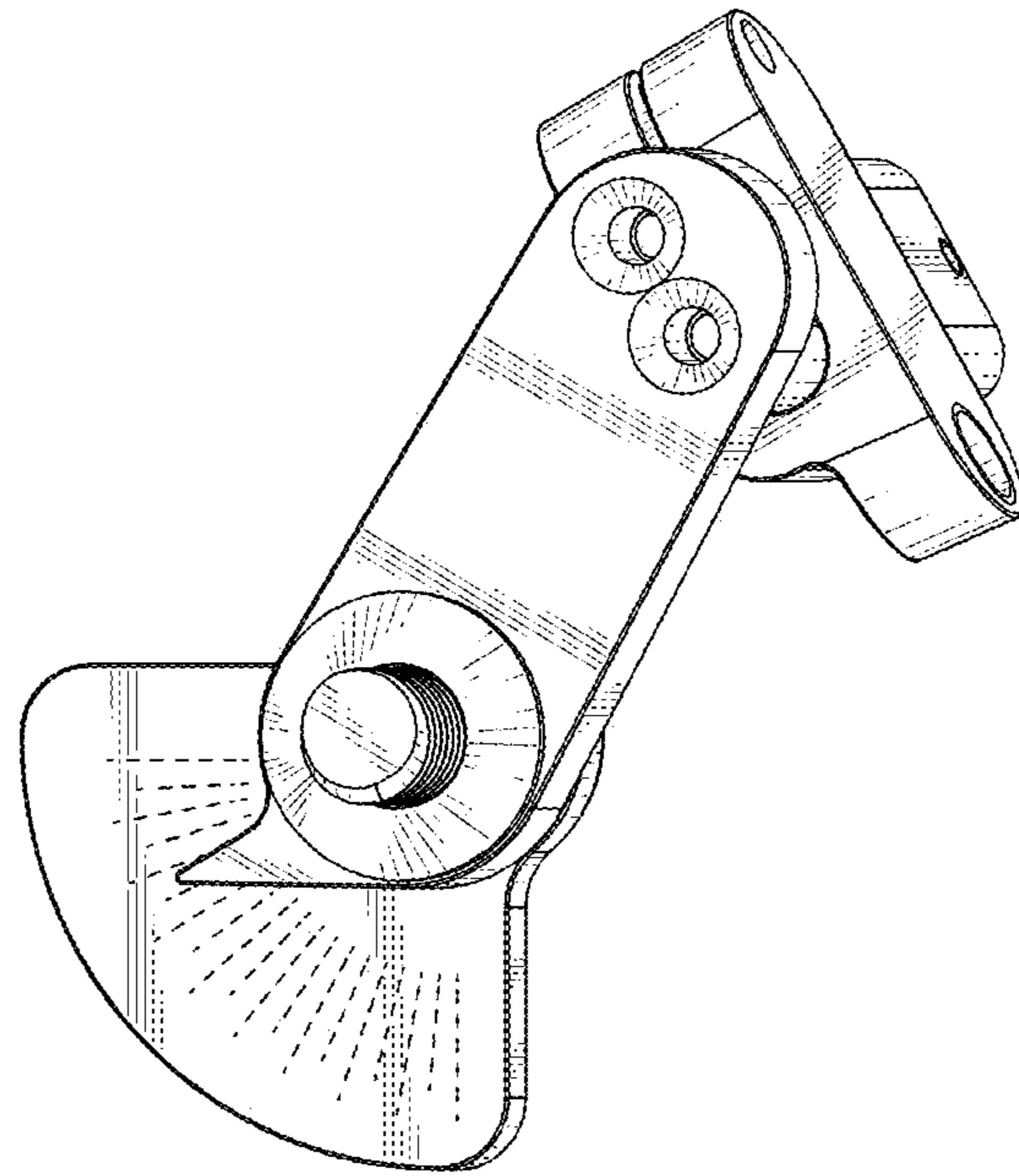


FIG. 5

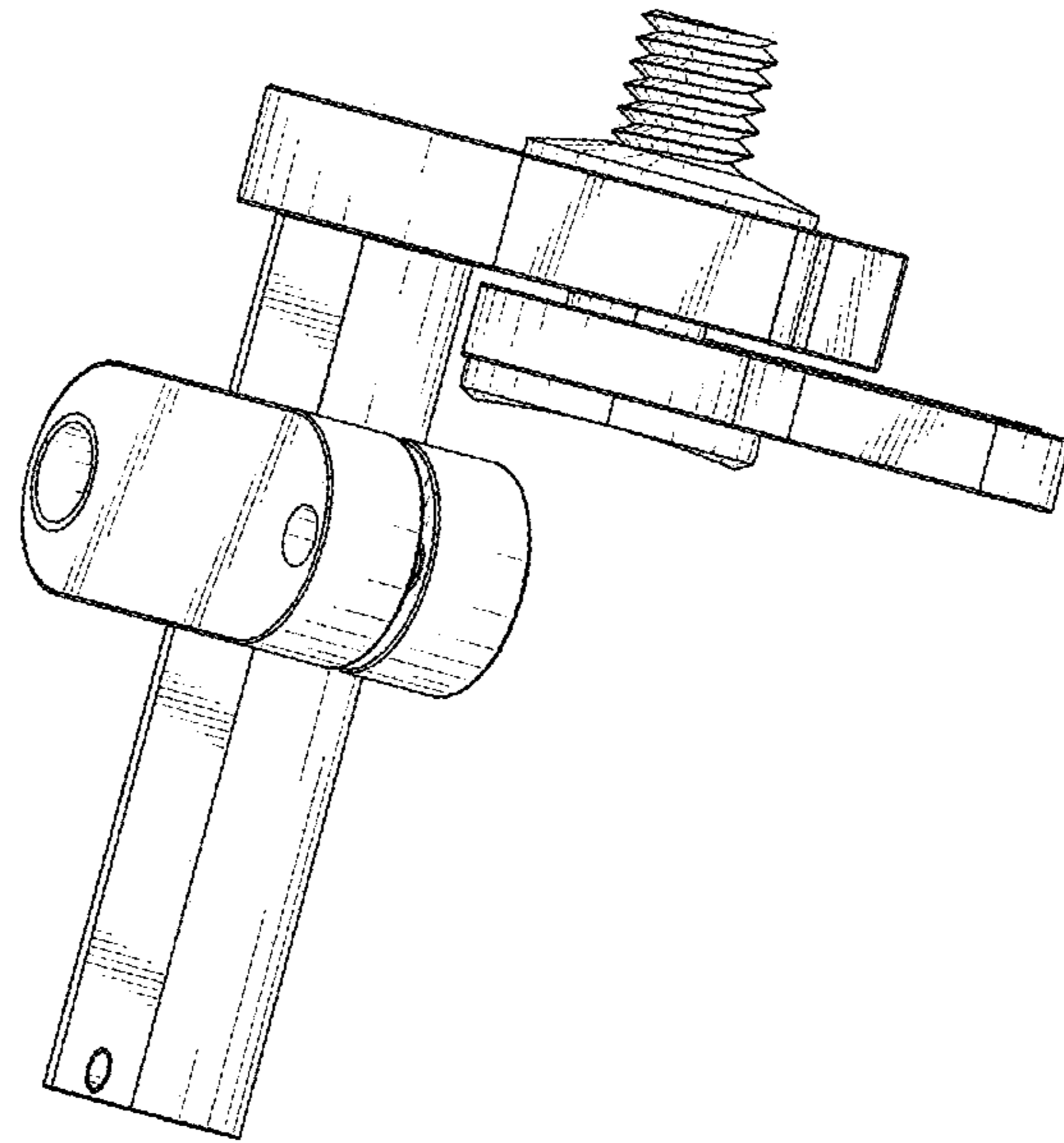


FIG. 6

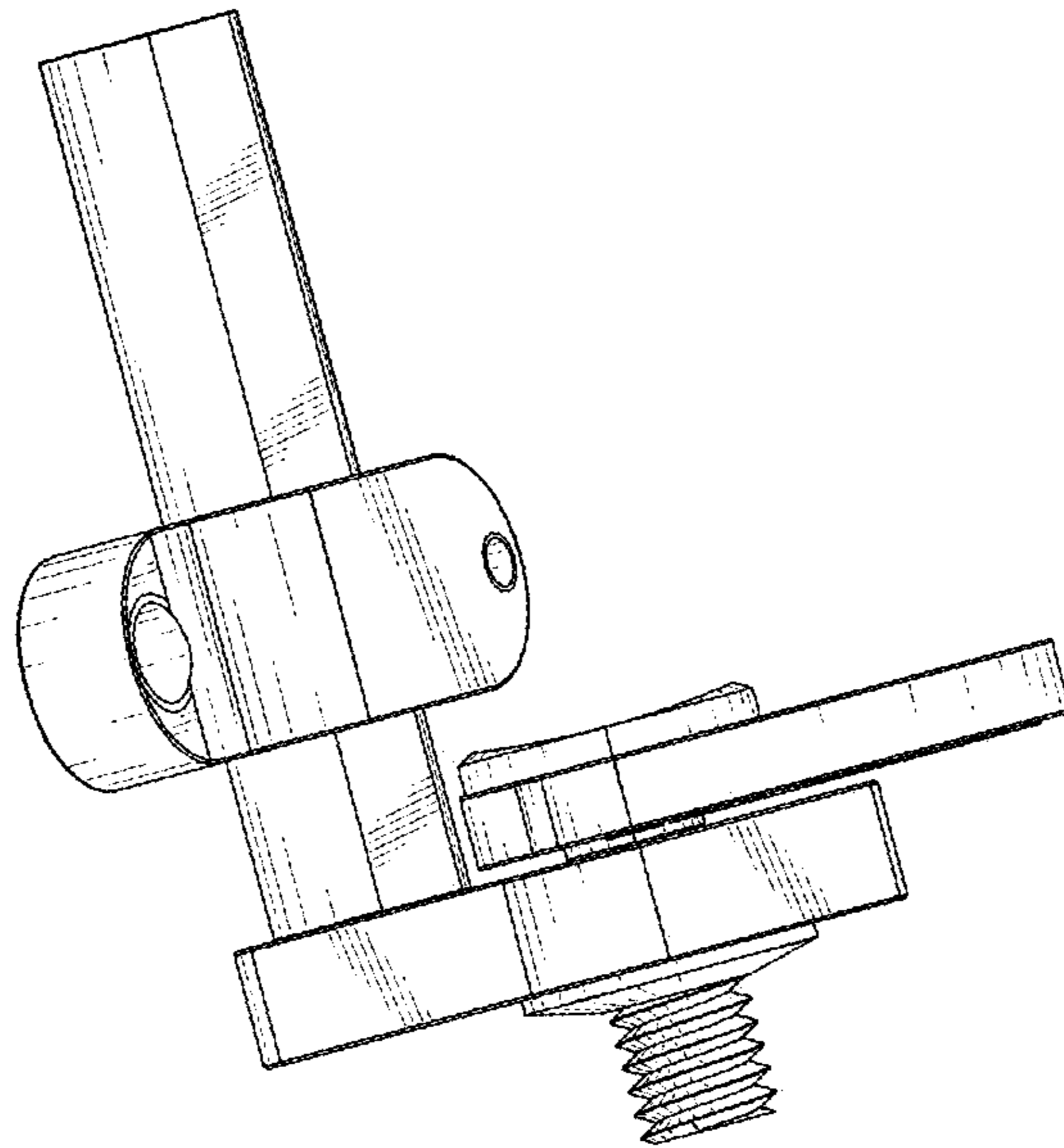


FIG. 7

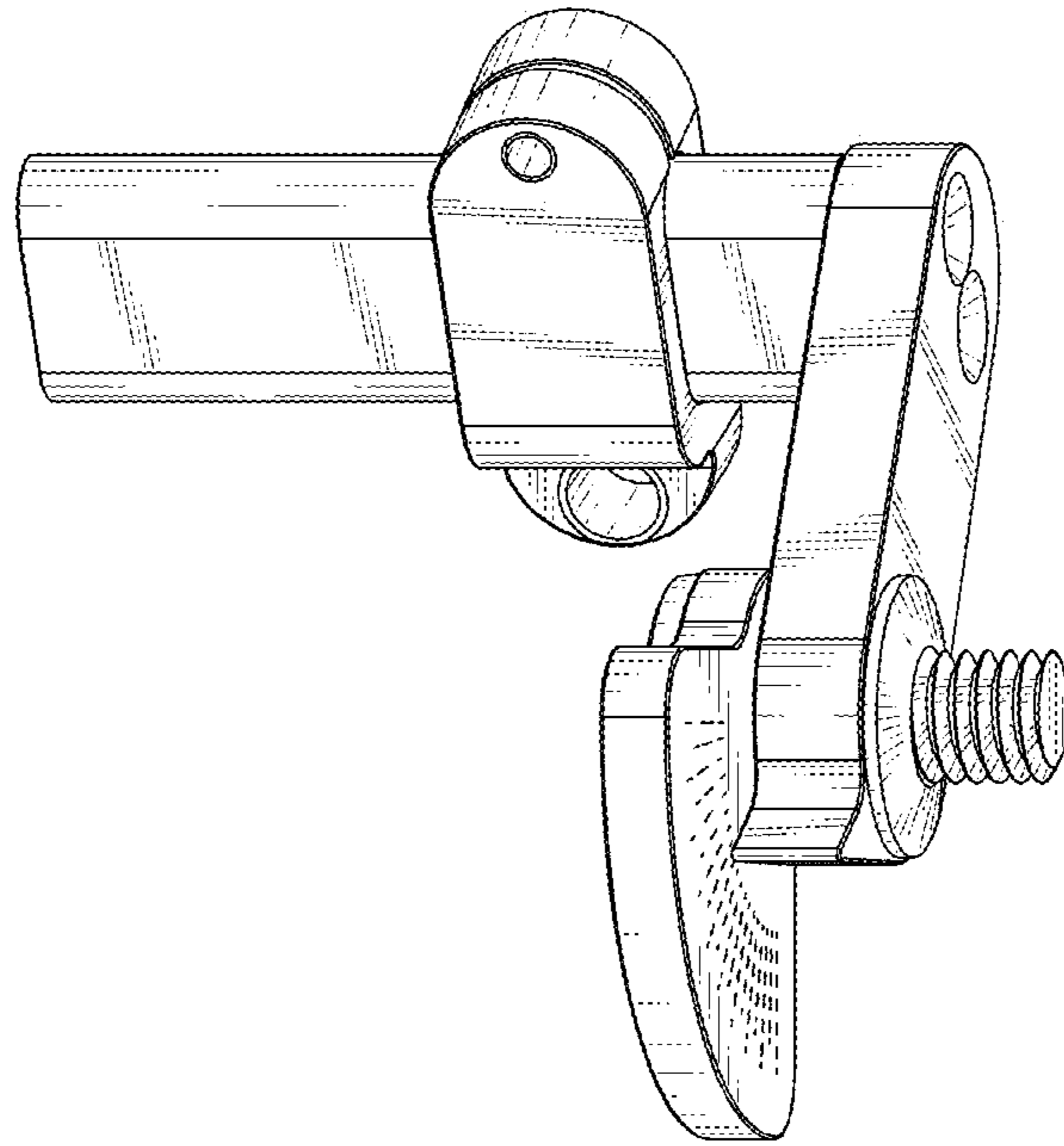


FIG. 8

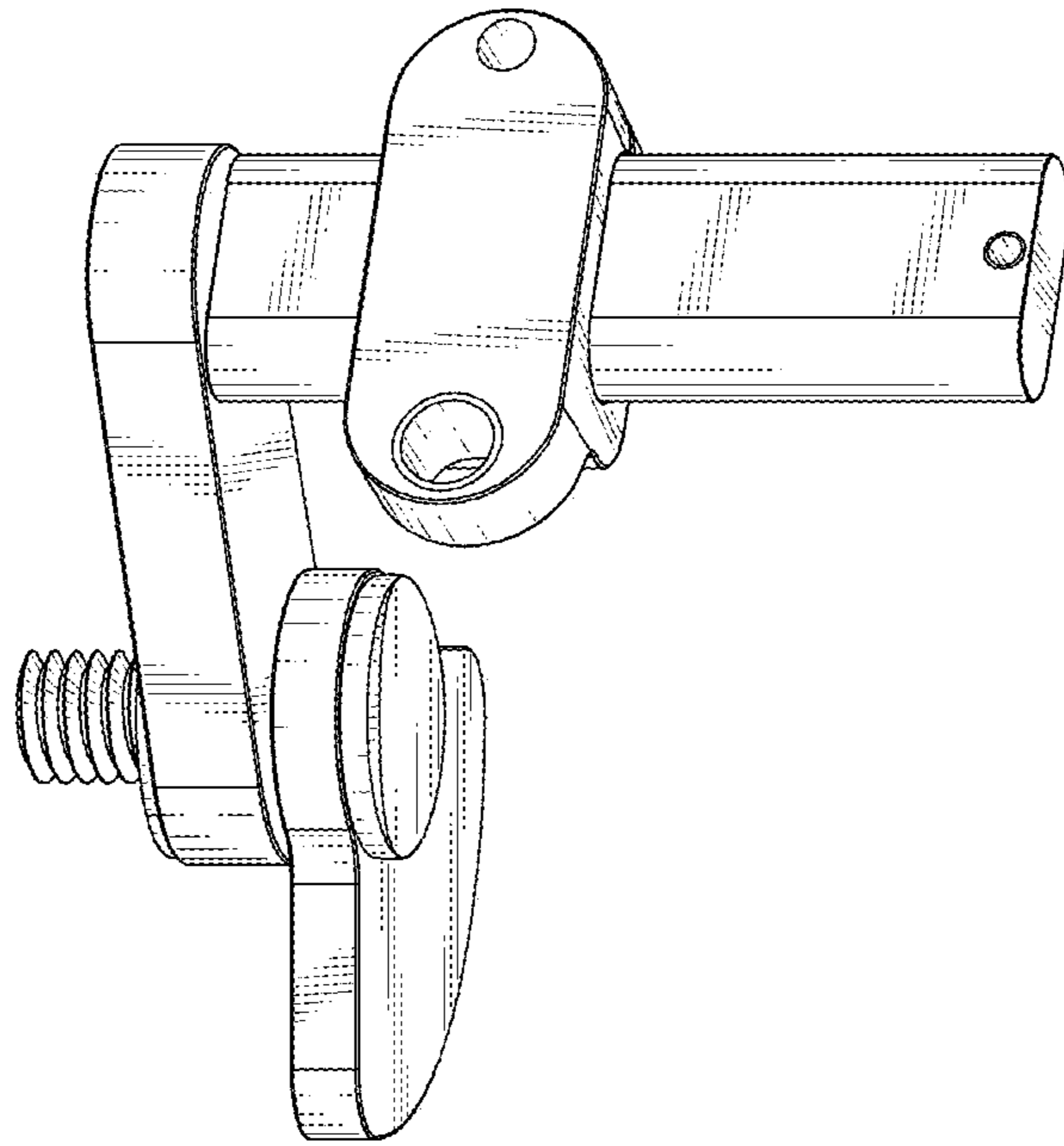


FIG. 9

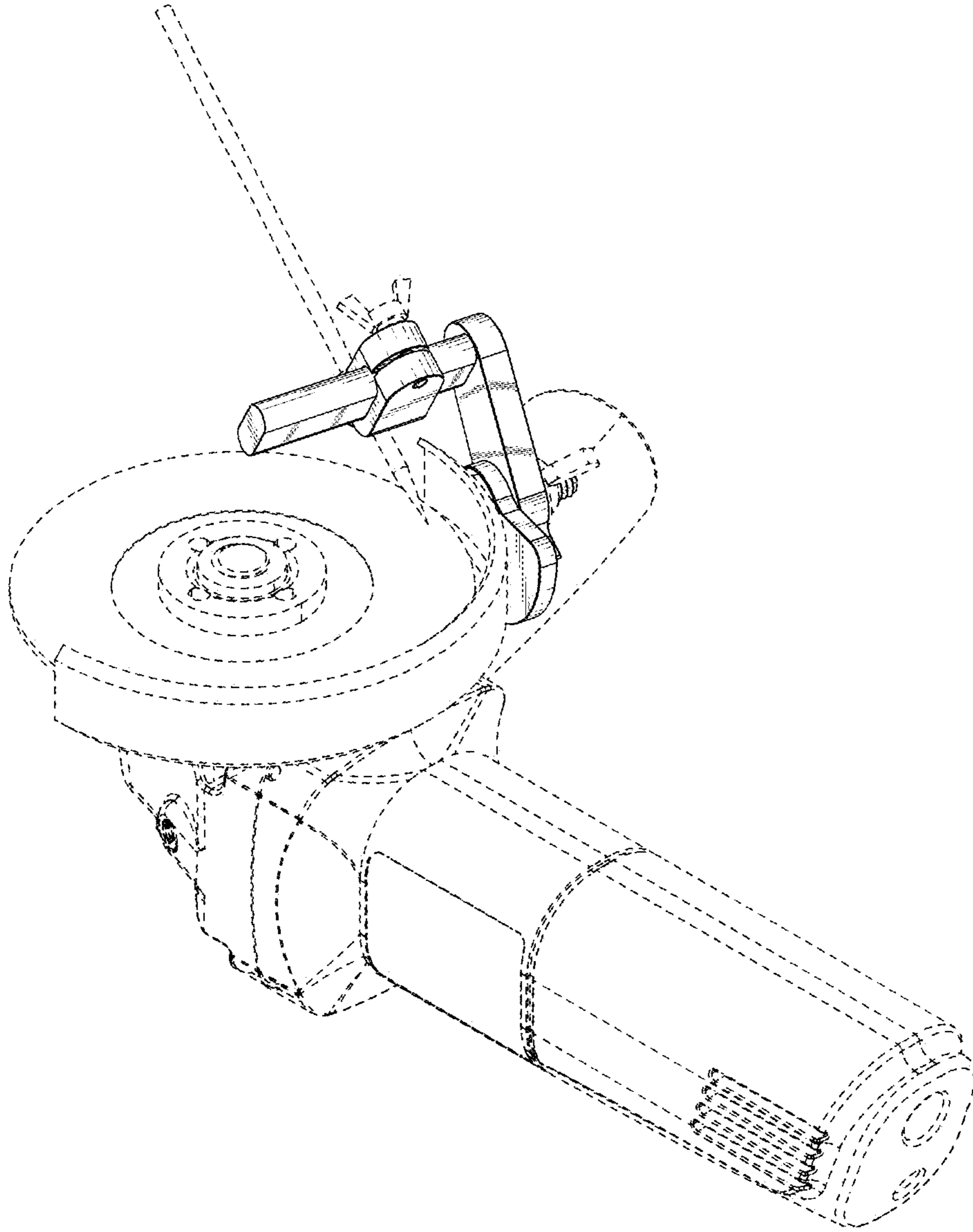


FIG. 10