



US0D1054693S

(12) **United States Design Patent** (10) **Patent No.:** **US D1,054,693 S**  
**Wilson** (45) **Date of Patent:** **\*\* Dec. 24, 2024**

(54) **CARRIER FOR A DISPENSABLE PRODUCT**

(71) Applicant: **DraxSlack, LLC**, Prosper, TX (US)

(72) Inventor: **Danny Glen Wilson**, Prosper, TX (US)

(73) Assignee: **Draxslack, LLC.**, Prosper, TX (US)

(\*\*) Term: **15 Years**

(21) Appl. No.: **29/850,961**

(22) Filed: **Aug. 24, 2022**

(51) **LOC (14) Cl.** ..... **03-05**

(52) **U.S. Cl.**  
USPC ..... **D3/215**

(58) **Field of Classification Search**  
USPC ..... D3/207, 215, 218, 221, 224, 226, 303  
CPC .... A45F 5/00; A45F 5/02; A45F 5/021; A45F  
2004/003; A45F 2005/025  
See application file for complete search history.

(56) **References Cited**

**U.S. PATENT DOCUMENTS**

D311,260 S	10/1990	Hasert	
D377,543 S	1/1997	Hanson	
6,283,658 B1	9/2001	Estevez et al.	
D510,480 S	10/2005	McCarter	
D526,775 S	8/2006	Anderton	
D528,290 S	9/2006	Anderton	
D543,022 S *	5/2007	Alon	D3/218
D570,100 S *	6/2008	Chen	D3/218
D667,216 S *	9/2012	Clifton, Jr.	D3/218
D698,089 S	1/2014	Smith	
D698,497 S	1/2014	Smith et al.	
D838,471 S	1/2019	Young	
D893,857 S	8/2020	Ricard et al.	
10,925,383 B2	2/2021	Murakami	
D933,358 S	10/2021	Natsume et al.	
11,298,712 B2 *	4/2022	Swain	B05B 11/048
D956,660 S *	7/2022	Liu	D12/409
D990,868 S *	7/2023	Chornovol	D3/215
D1,035,395 S *	7/2024	Chao	D3/202

2004/0090040 A1	5/2004	Pearson	
2010/0122438 A1	5/2010	Britton et al.	
2015/0203052 A1	7/2015	Wolfsen	
2022/0110438 A1 *	4/2022	Iverson	A45F 5/021

**FOREIGN PATENT DOCUMENTS**

JP	4015166 B2	11/2007
KR	20210067707 A	6/2021

**OTHER PUBLICATIONS**

Carrier for dispensable product. Amazon, Aug. 6, 2024, [https://www.amazon.com/GelCLIP-Refillable-Sanitizer-Dispenser-Operation/dp/B08VS8HRB6/ref=asc\\_df\\_B08VS8HRB6/?tag=hyprod-20&linkCode](https://www.amazon.com/GelCLIP-Refillable-Sanitizer-Dispenser-Operation/dp/B08VS8HRB6/ref=asc_df_B08VS8HRB6/?tag=hyprod-20&linkCode) (Year: 2021).\*

\* cited by examiner

*Primary Examiner* — Catherine R Oliver-Garcia  
(74) *Attorney, Agent, or Firm* — Christopher G. Darow;  
Darrow Mustafa PC

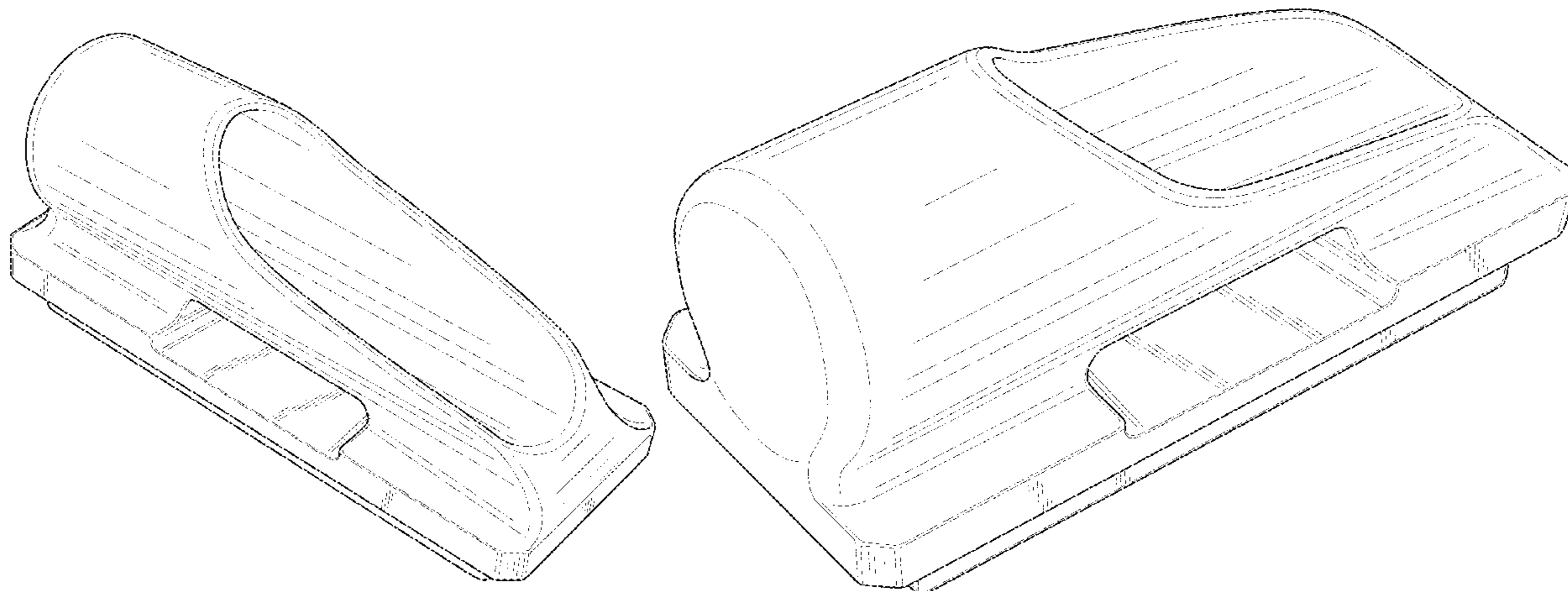
(57) **CLAIM**

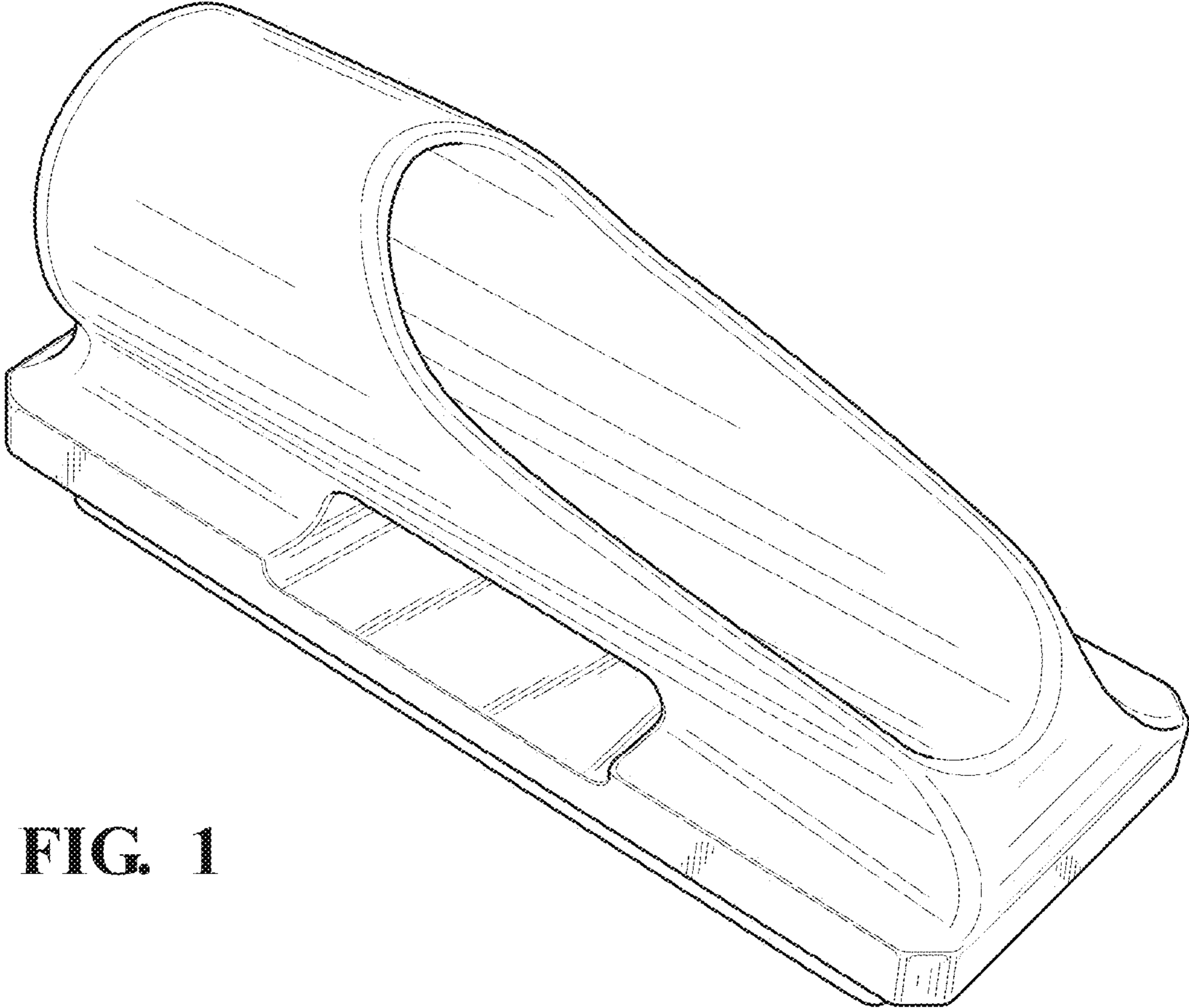
The ornamental design for a carrier for a dispensable product as shown and described.

**DESCRIPTION**

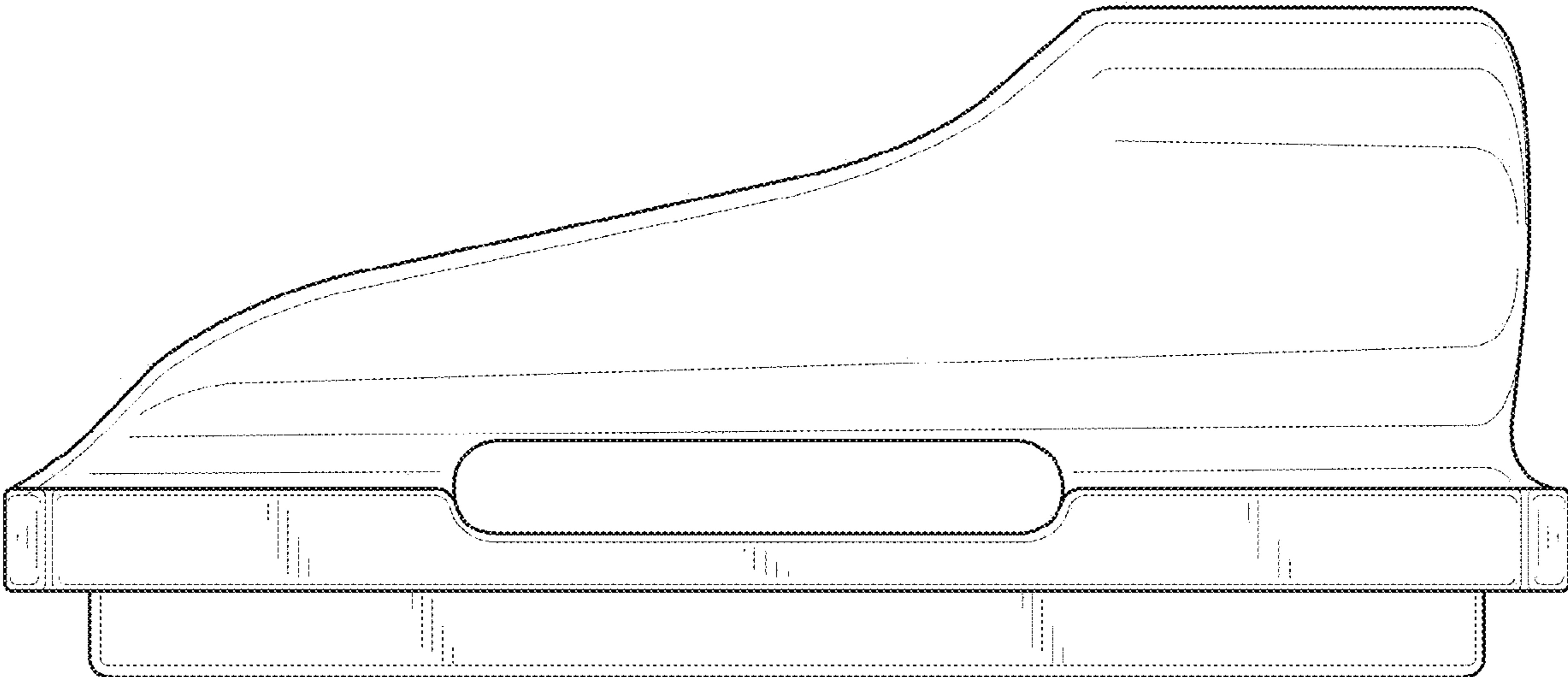
FIG. 1 is a top left side rear perspective view of the carrier for a dispensable product showing my ornamental design; FIG. 2 is a right side elevational view thereof; FIG. 3 is a rear elevational view thereof; FIG. 4 is a front elevational view thereof; FIG. 5 is a left side elevational view thereof; FIG. 6 is a bottom or underside view thereof; FIG. 7 is a plan view thereof; and, FIG. 8 is a top left side front perspective view thereof. The broken line showing of the lip balm dispenser mounted in the carrier for a dispensable product in FIG. 5 is included for the purpose of illustrating environment of the article and forms no part of the claimed design.

**1 Claim, 4 Drawing Sheets**





**FIG. 1**



**FIG. 2**

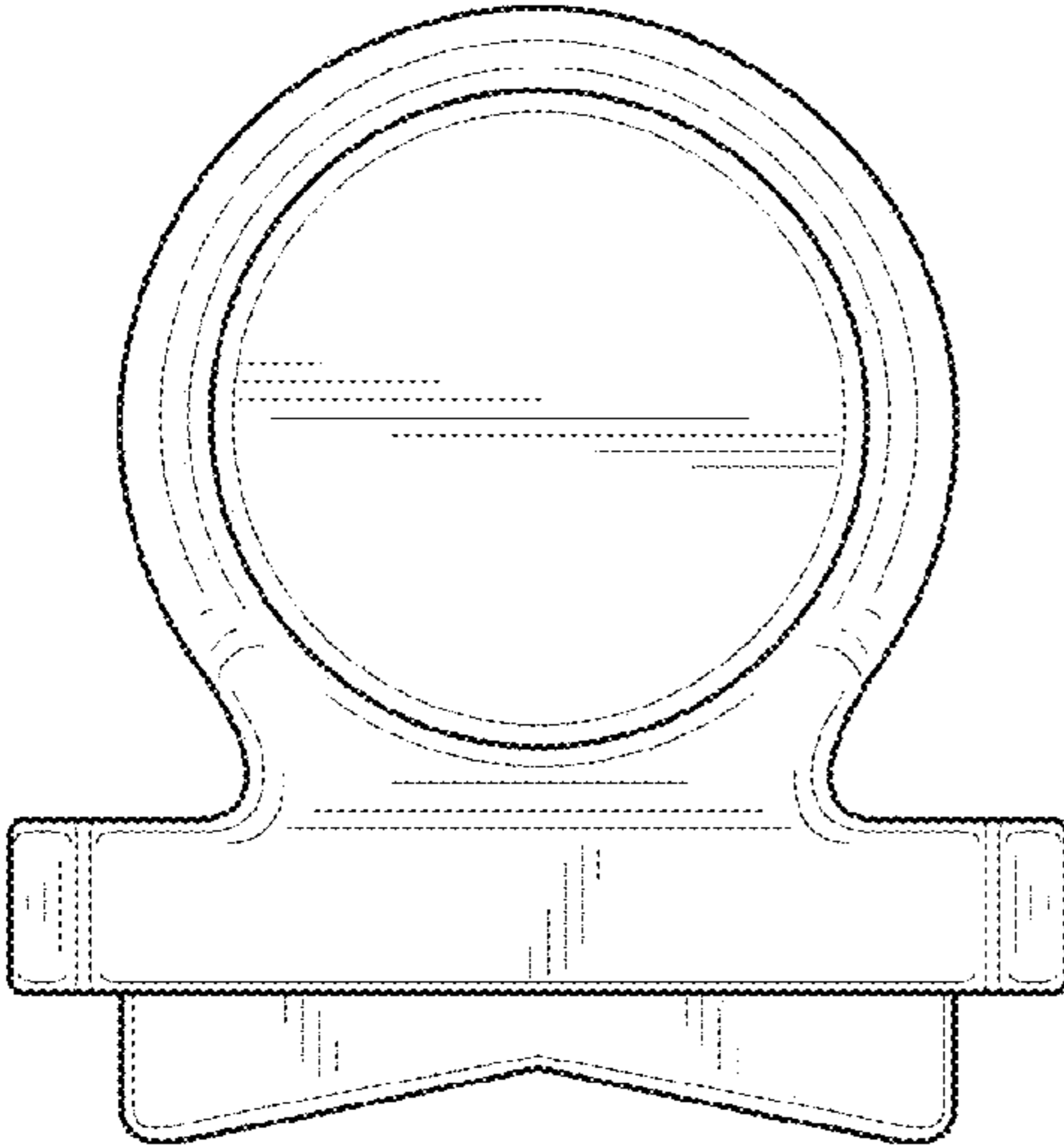


FIG. 3

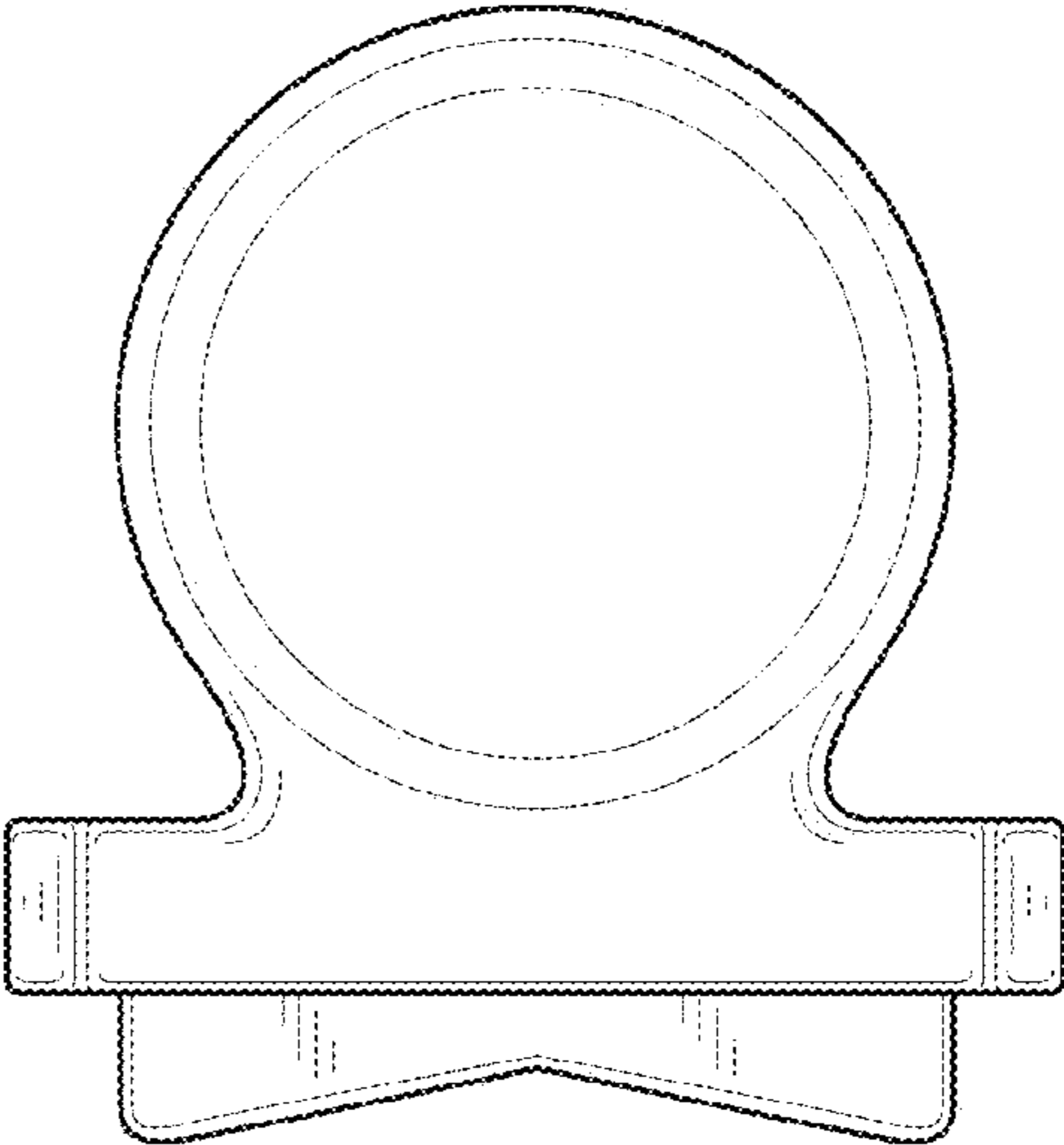


FIG. 4

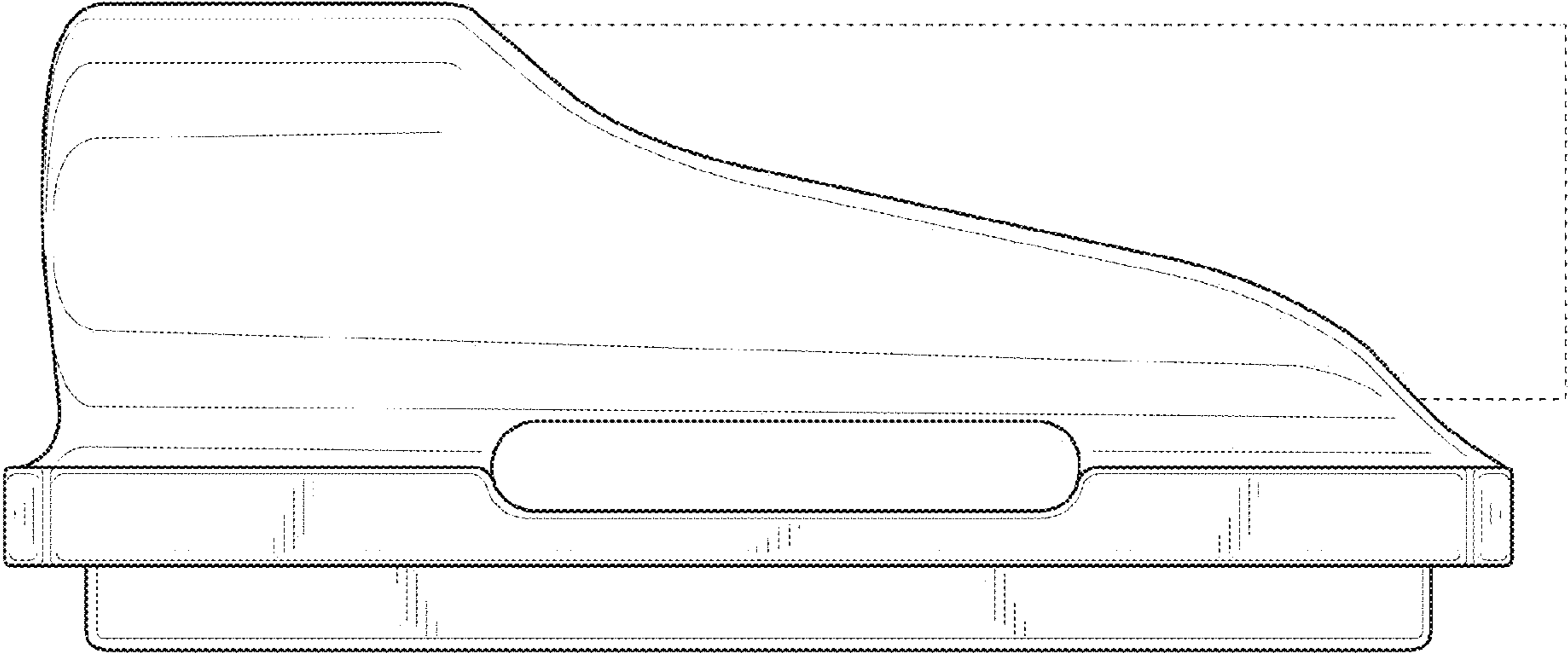
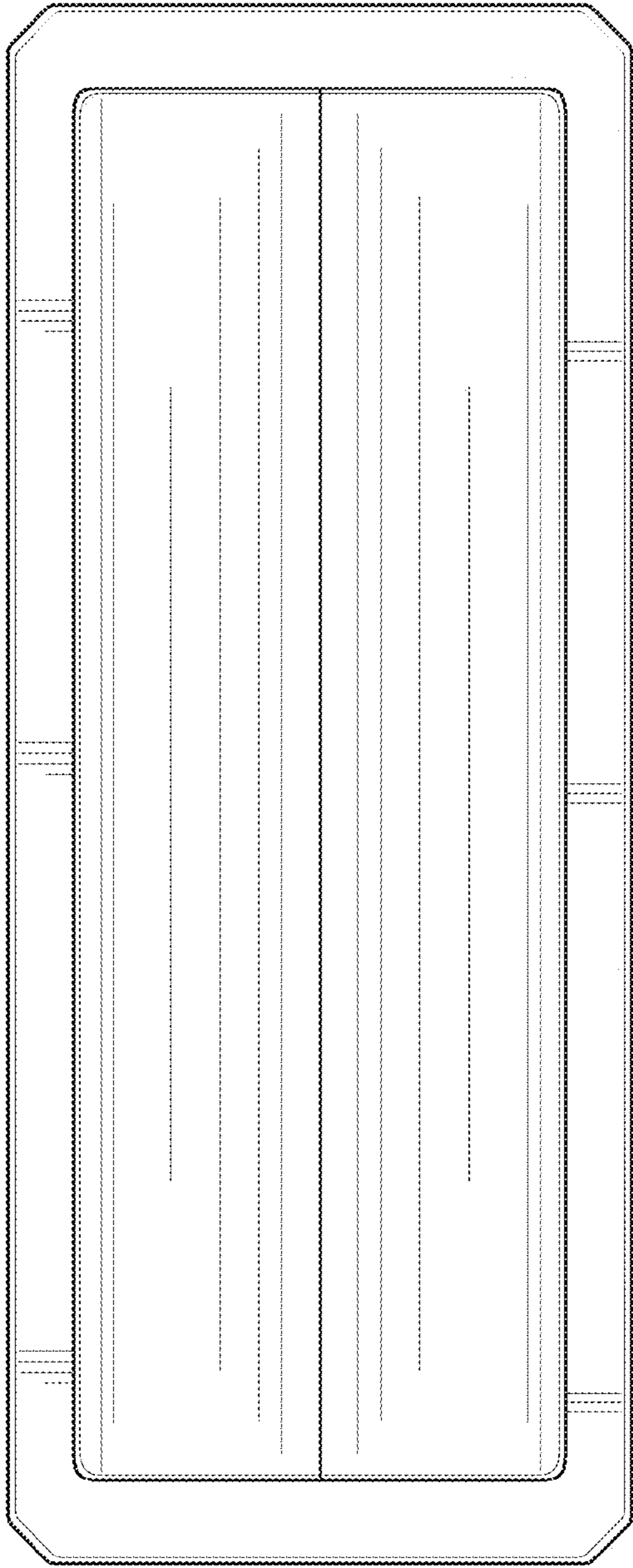
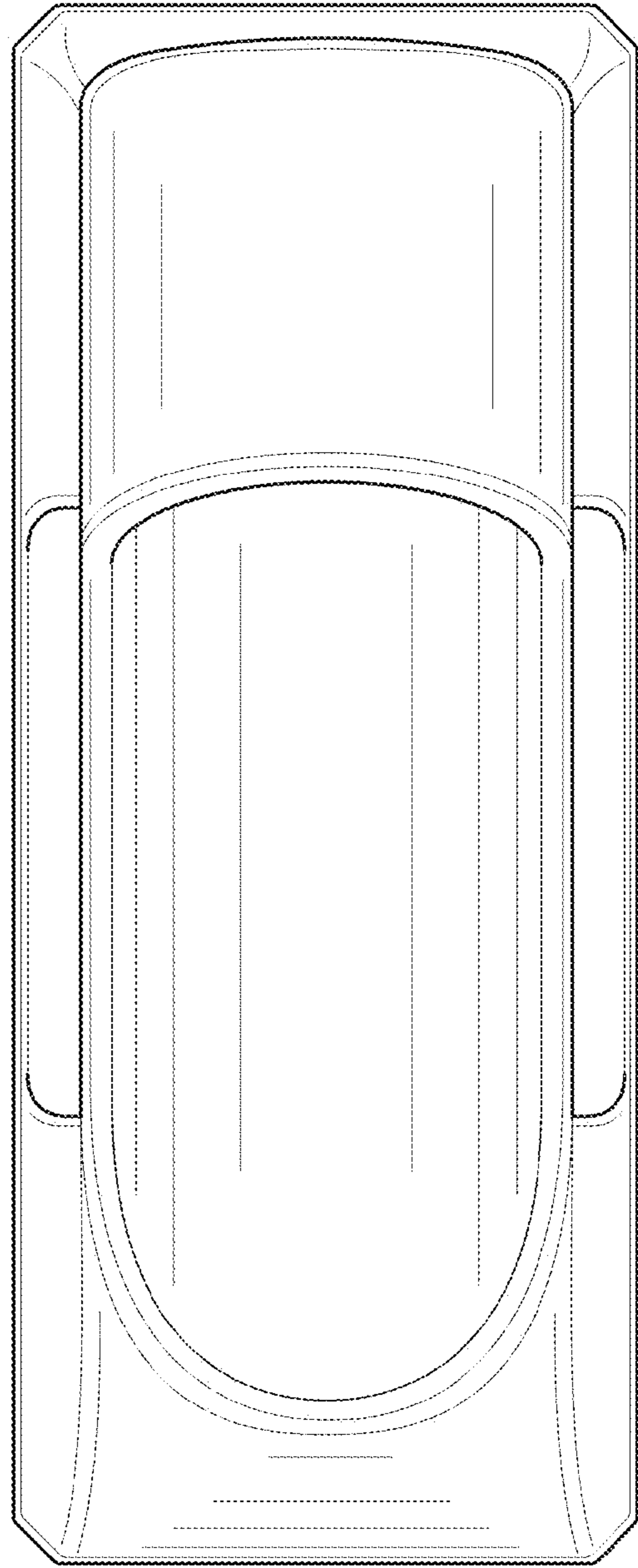


FIG. 5



**FIG. 6**



**FIG. 7**

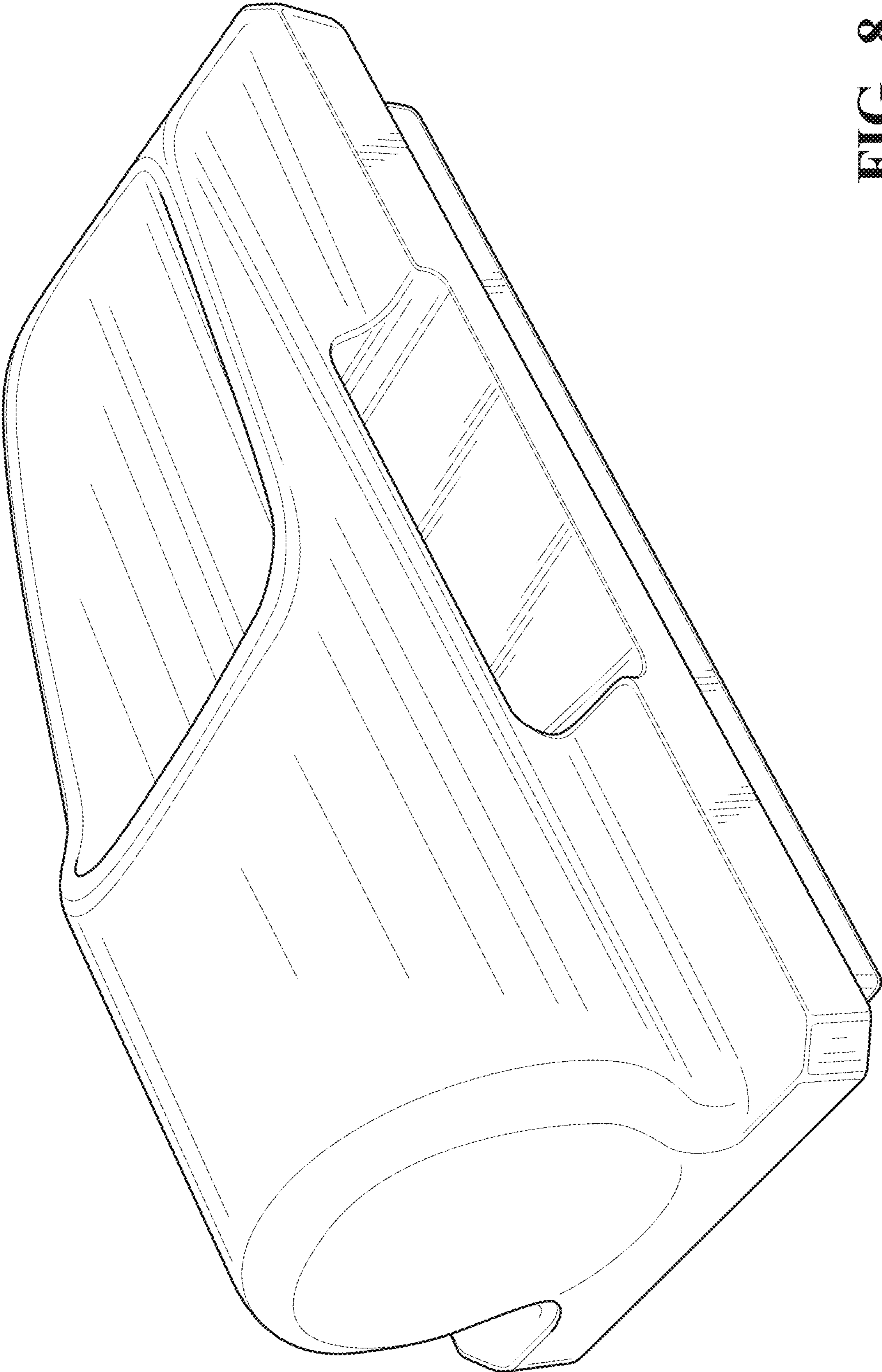


FIG. 8