



(12) **United States Design Patent** (10) **Patent No.:** **US D1,054,506 S**  
**Hix et al.** (45) **Date of Patent:** **\*\* Dec. 17, 2024**

- (54) **MODEL VEHICLE DIFFERENTIAL SKID PLATE**
- (71) Applicant: **TRAXXAS, L.P.**, McKinney, TX (US)
- (72) Inventors: **Caleb Hix**, McKinney, TX (US); **Otto Karl Allmendinger**, Rowlett, TX (US); **Kent Poteet**, Lucas, TX (US); **Trent Collins**, McKinney, TX (US)
- (73) Assignee: **TRAXXAS, L.P.**, McKinney, TX (US)
- (\*\*) Term: **15 Years**
- (21) Appl. No.: **29/852,591**
- (22) Filed: **Sep. 8, 2022**
- (51) **LOC (14) Cl.** ..... **21-01**
- (52) **U.S. Cl.**  
USPC ..... **D21/561**; D21/562; D12/171; D12/196
- (58) **Field of Classification Search**  
USPC ..... D21/495, 561, 562, 565; D12/114, 126, D12/171, 196, 317  
CPC ..... A63H 17/262; A63H 17/26; B62D 21/155  
See application file for complete search history.

(56) **References Cited**

U.S. PATENT DOCUMENTS

D860,088 S *	9/2019	Harriton	.....	D12/196
D874,999 S *	2/2020	Ewing	.....	D12/171
D920,204 S *	5/2021	Ruiz	.....	D12/196
D1,016,180 S *	2/2024	Allmendinger	.....	D12/171
D1,030,910 S *	6/2024	Poteet	.....	D21/495
D1,037,107 S *	7/2024	Harriton	.....	D12/196
D1,037,114 S *	7/2024	Harriton	.....	D12/196
D1,040,253 S *	8/2024	Ewing	.....	D21/561
D1,046,012 S *	10/2024	Ewing	.....	D21/561

OTHER PUBLICATIONS

Traxxas TRX-4M Steel Axle Skidplate (2), Part#: TRA9765, as shown in www.hobbytown.com, May 24, 2023. (Year: 2023).\*

Hot Racing Axial SCX10 II Stainless Armor Skid Plate (Hot Racing Axle Housing), Part # HRASSCXT331C, as shown in www.amainhobbies.com, Mar. 16, 2018. (Year: 2018).\*

Ricochet Offroad Skid Plate Silver, ASIN B078XKMTBJ, as shown in www.amazon.com, Oct. 23, 2017. (Year: 2017).\*

ATV Swing Arm Skid Plate Compatible with 1987-2006 Yamaha Banshee YFZ 350, as shown in www.ubuy.com.lb, Apr. 10, 2021. (Year: 2021).\*

OEM Yamaha GYTR Enduro Glide Plate Br9-Br9-f14b0-t0-00, as shown in www.ebay.com, no date listed, date found Oct. 18, 2024. (Year: 2024).\*

Rough Country Dana 30 Front Differential Skid Plate, (07-18 Jeep Wrangler JK), as shown in www.extremeterrain.com, earliest customer review, Feb. 14, 2019. (Year: 2019).\*

\* cited by examiner

*Primary Examiner* — Gino Colan  
*Assistant Examiner* — Gregory G McLemore  
 (74) *Attorney, Agent, or Firm* — Daryl R. Wright; Greg Carr

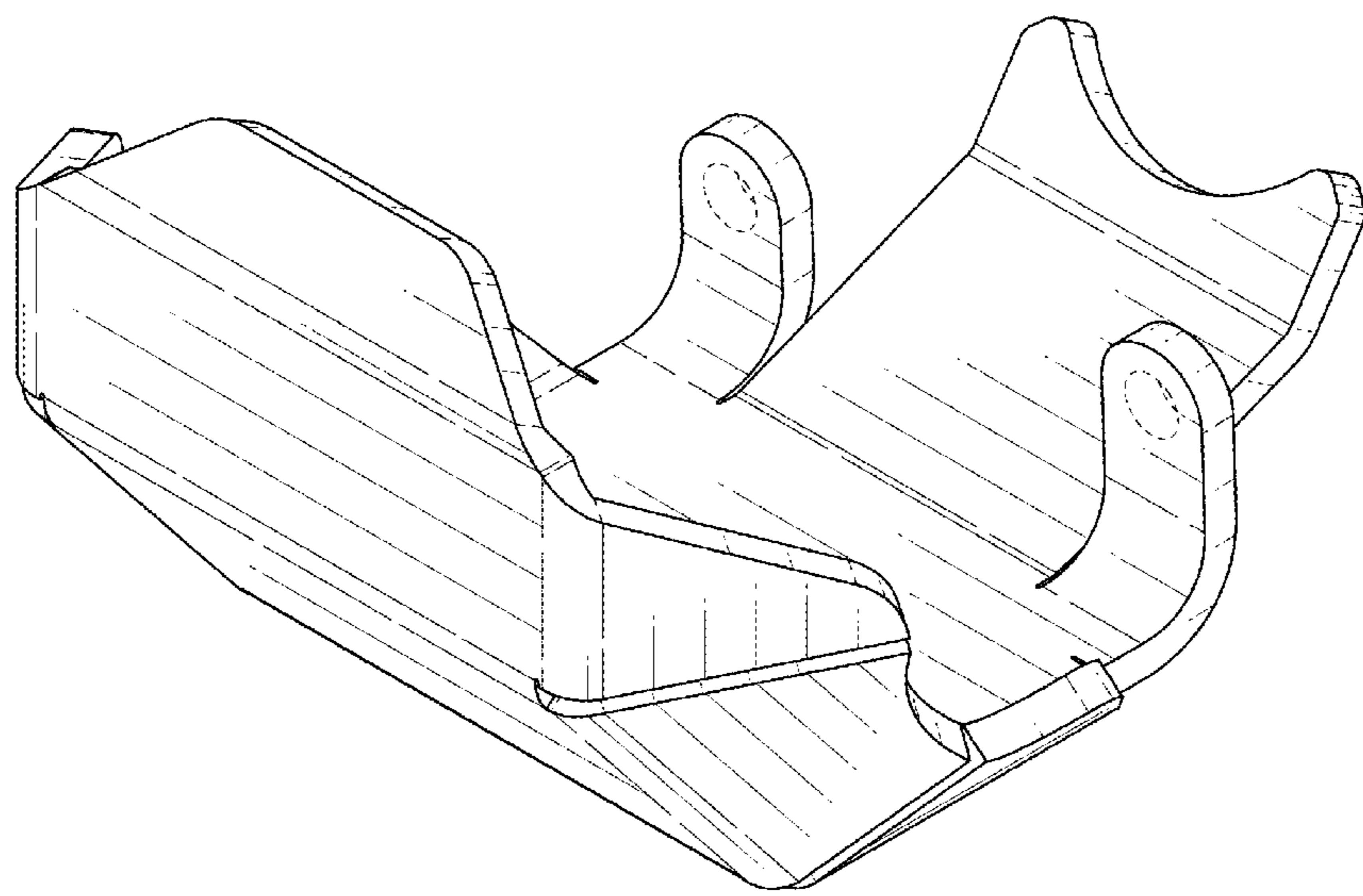
(57) **CLAIM**

The ornamental design for a model vehicle differential skid plate as shown and described.

**DESCRIPTION**

FIG. 1 is an upper, left, front perspective view of a model vehicle differential skid plate showing our new design; FIG. 2 is a front elevation view thereof; FIG. 3 is a rear elevation view thereof; FIG. 4 is a right side elevation view thereof; FIG. 5 is a left side elevation view thereof; FIG. 6 is an upper plan view thereof; FIG. 7 is a lower plan view thereof; FIG. 8 is an upper, right, rear perspective view thereof; and, FIG. 9 is a lower, left, front perspective view of the model vehicle differential skid plate. In the drawings, the broken lines illustrate portions of the model vehicle differential skid plate that form no part of the claimed design.

**1 Claim, 9 Drawing Sheets**



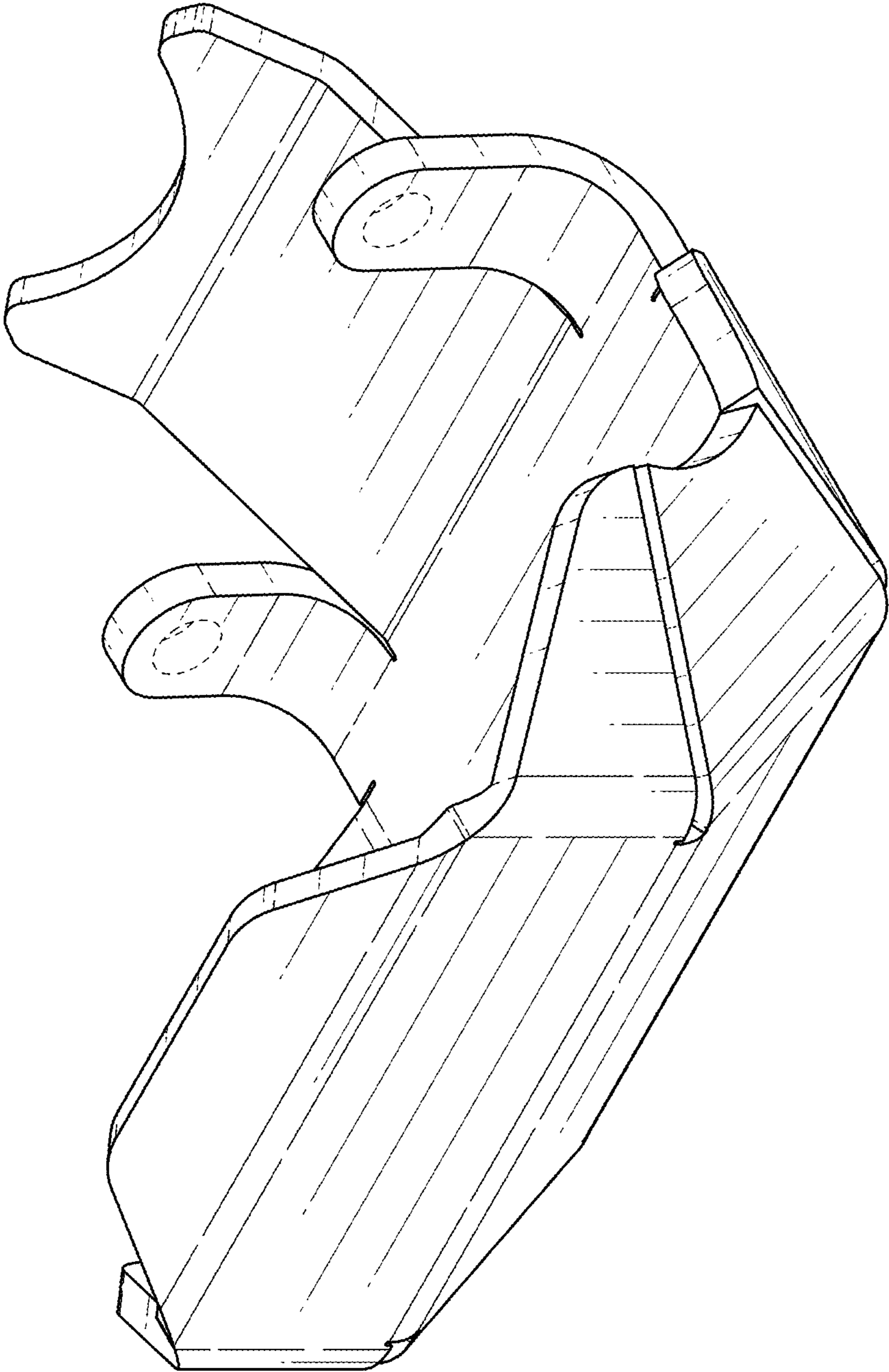


FIG. 1

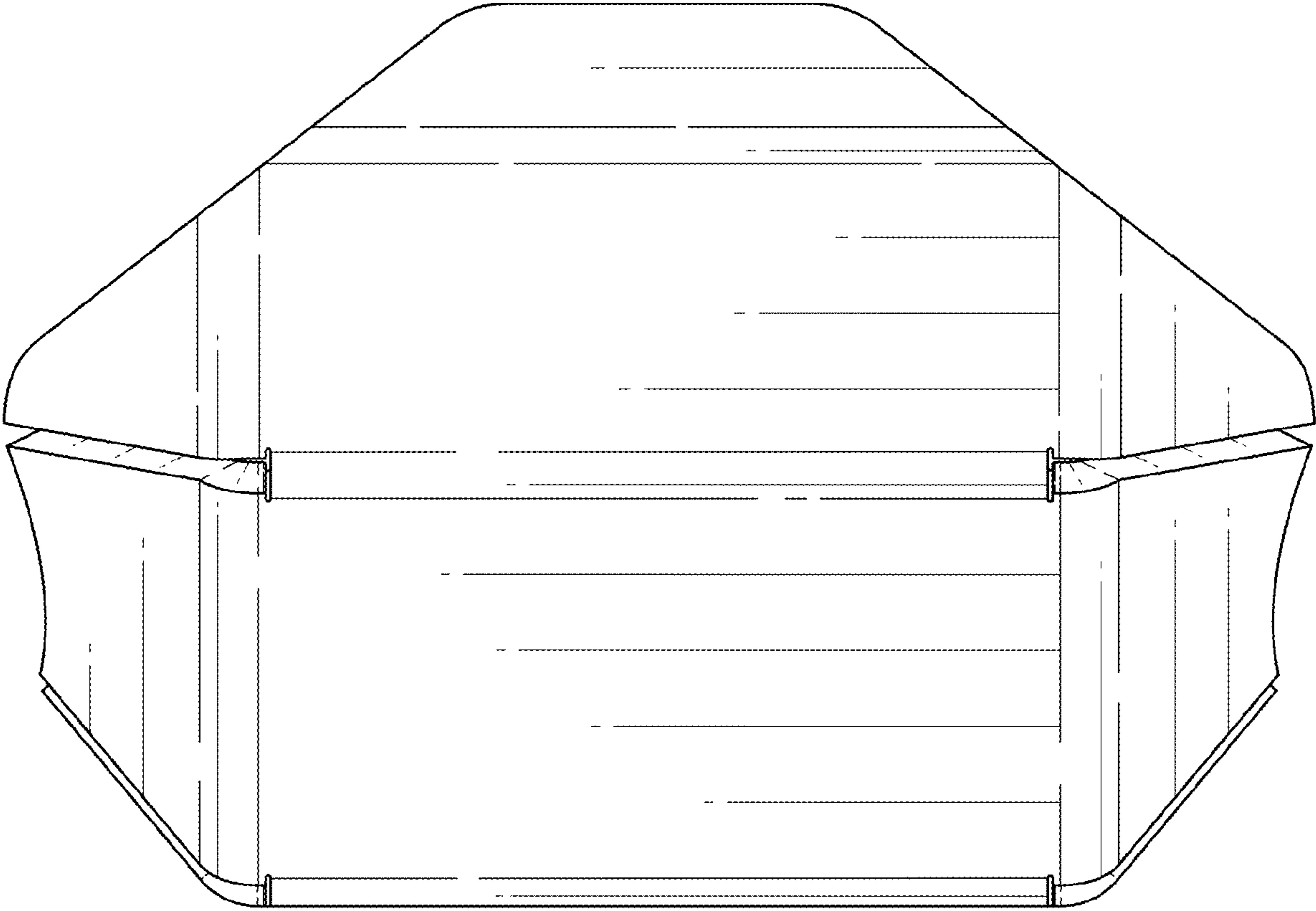


FIG. 2

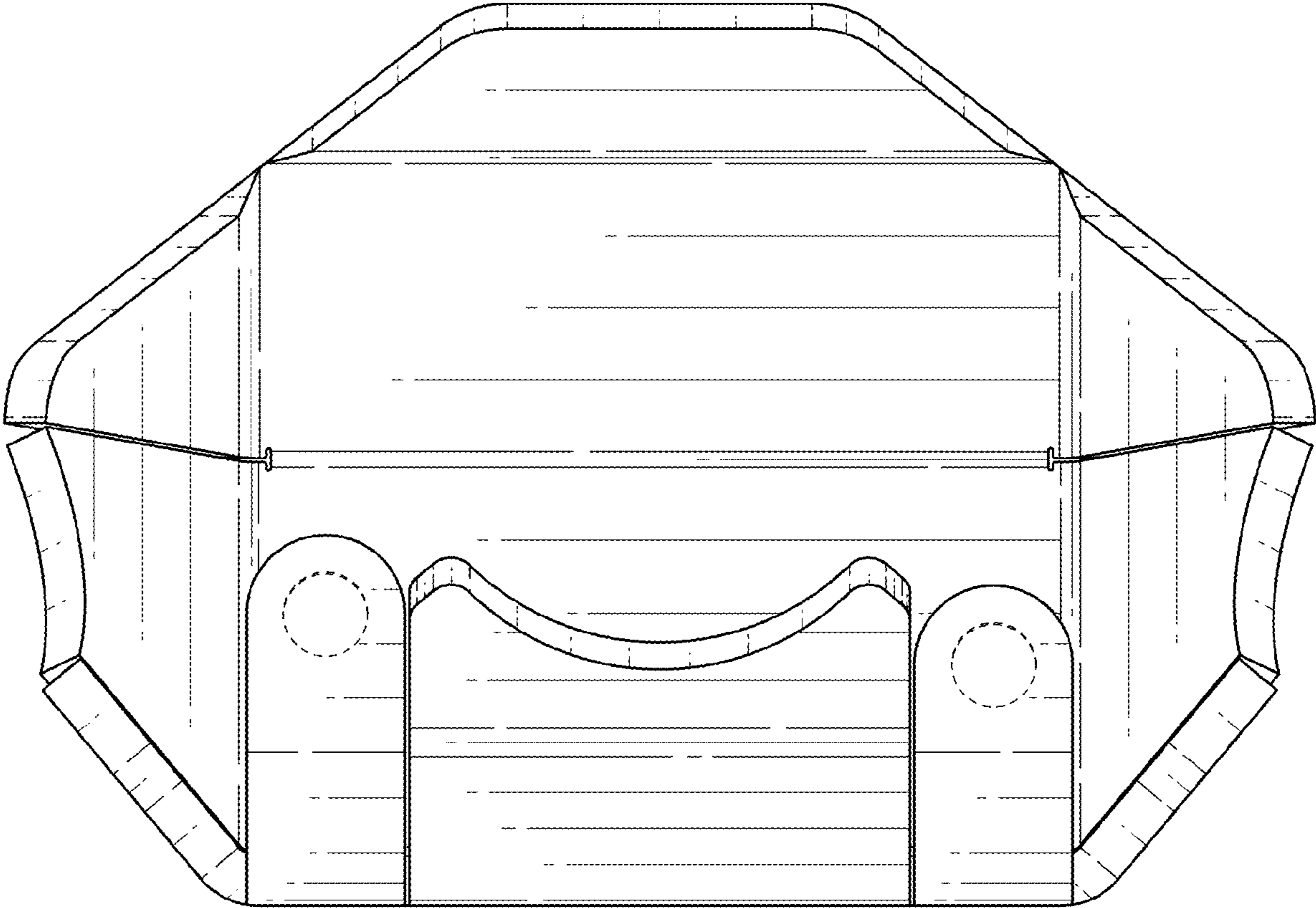


FIG. 3

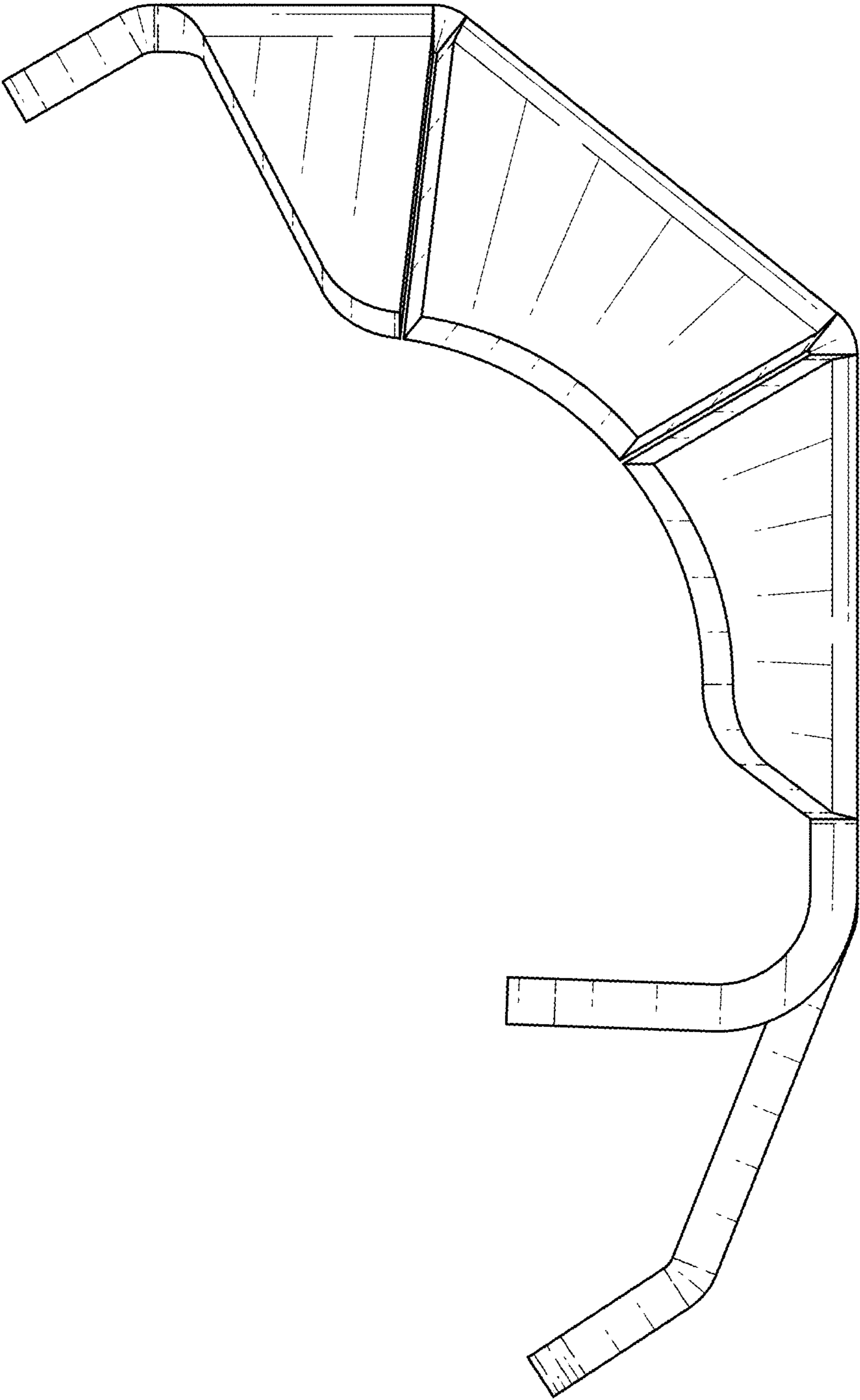


FIG. 4

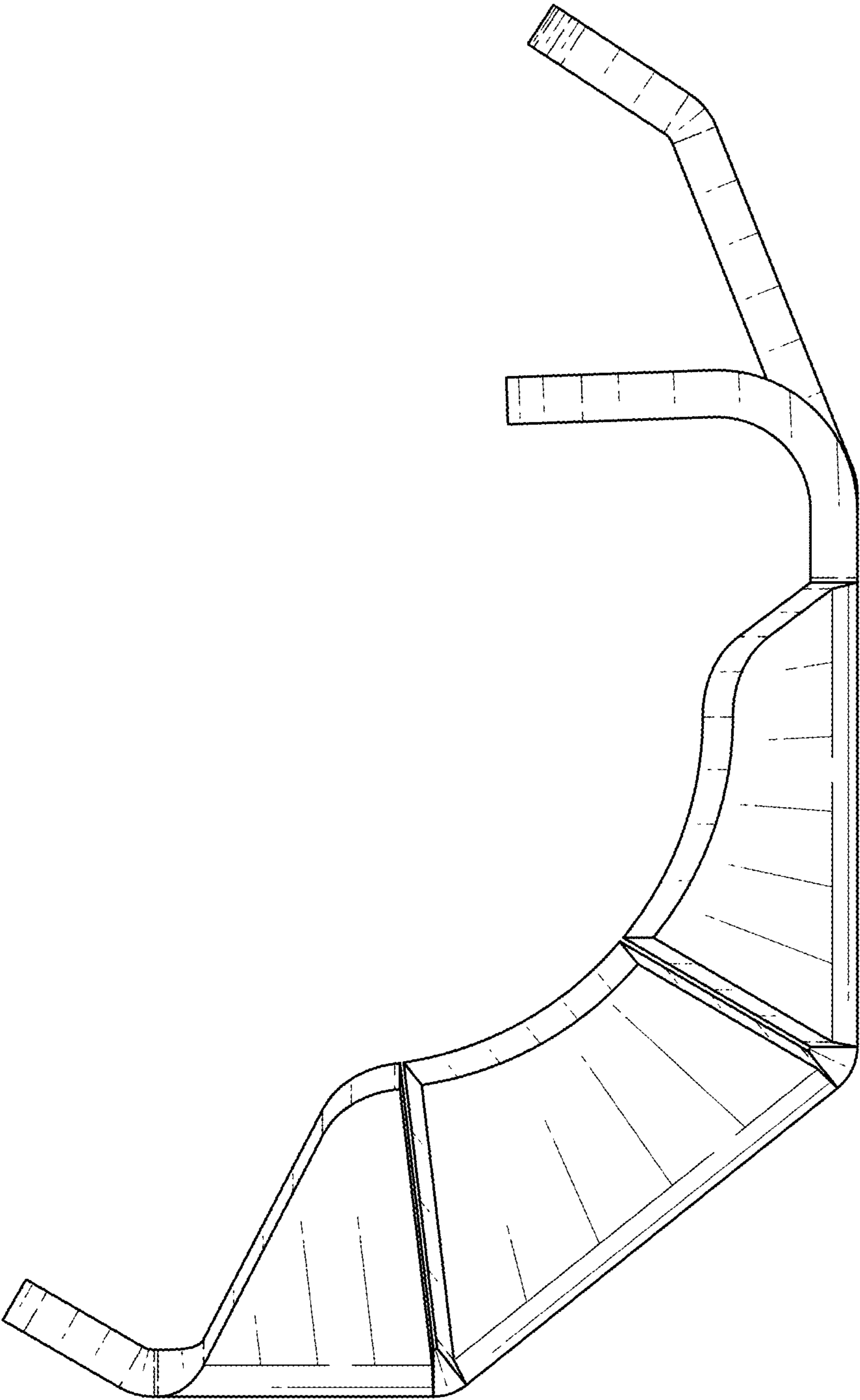


FIG. 5

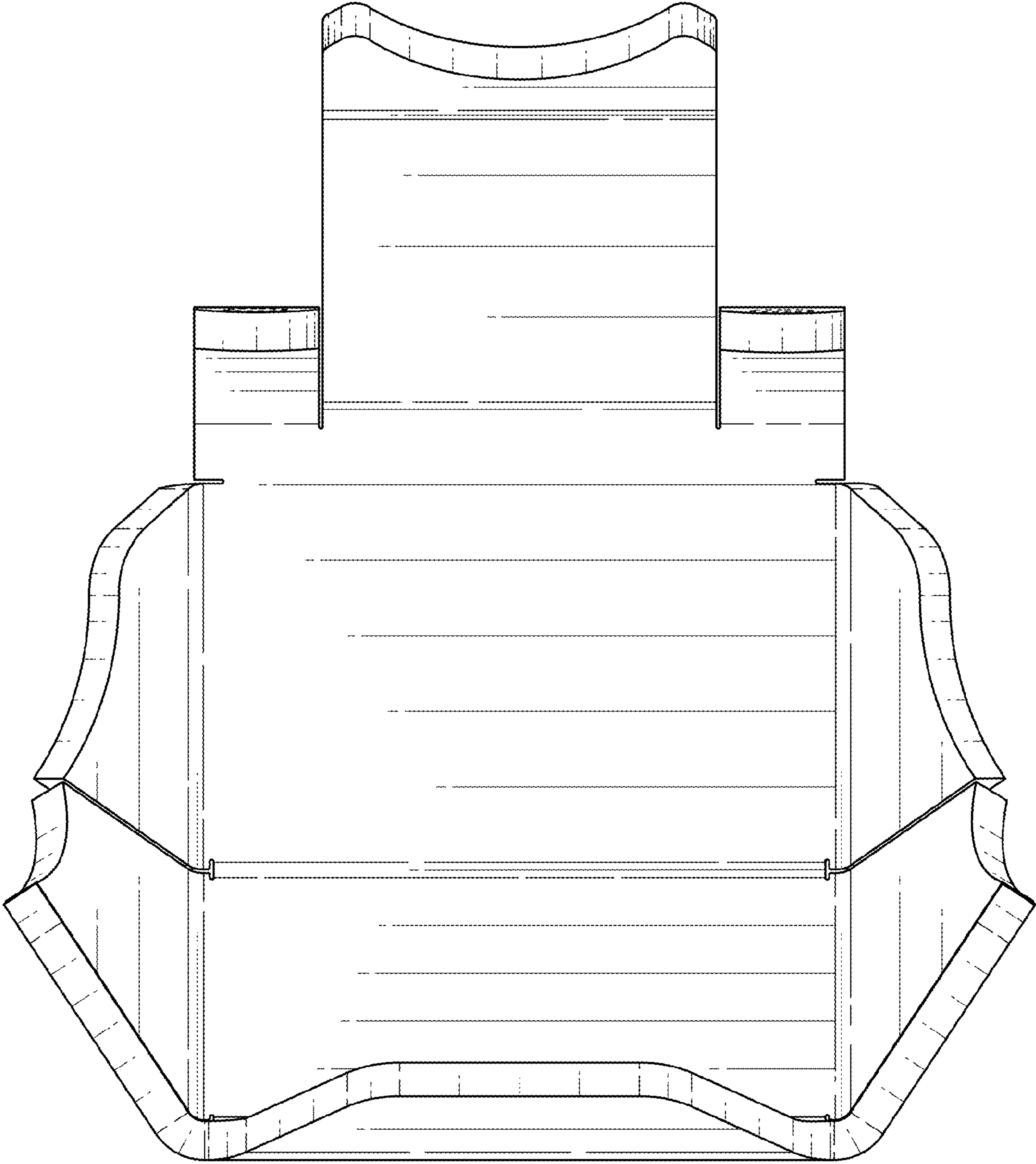


FIG. 6

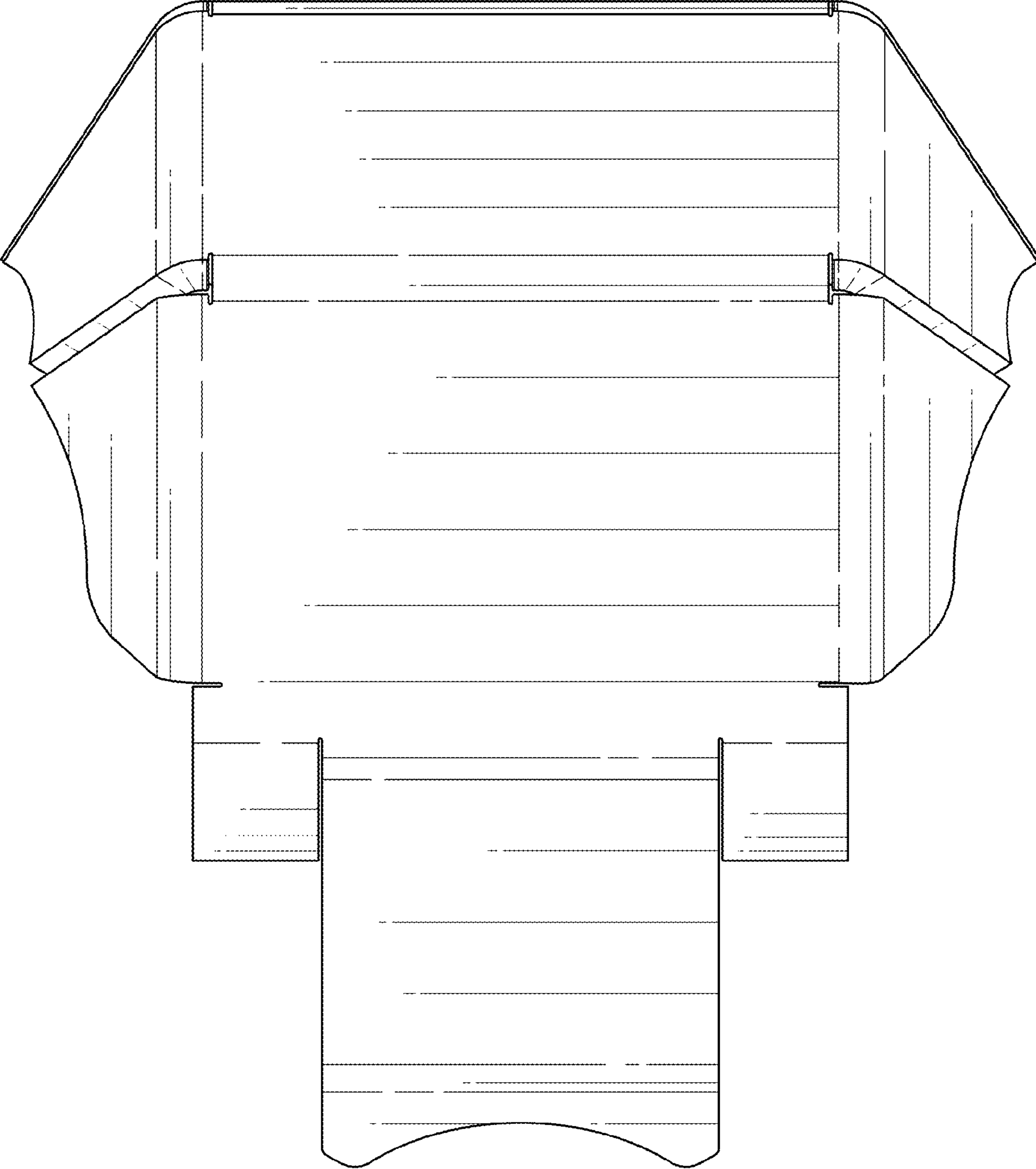


FIG. 7



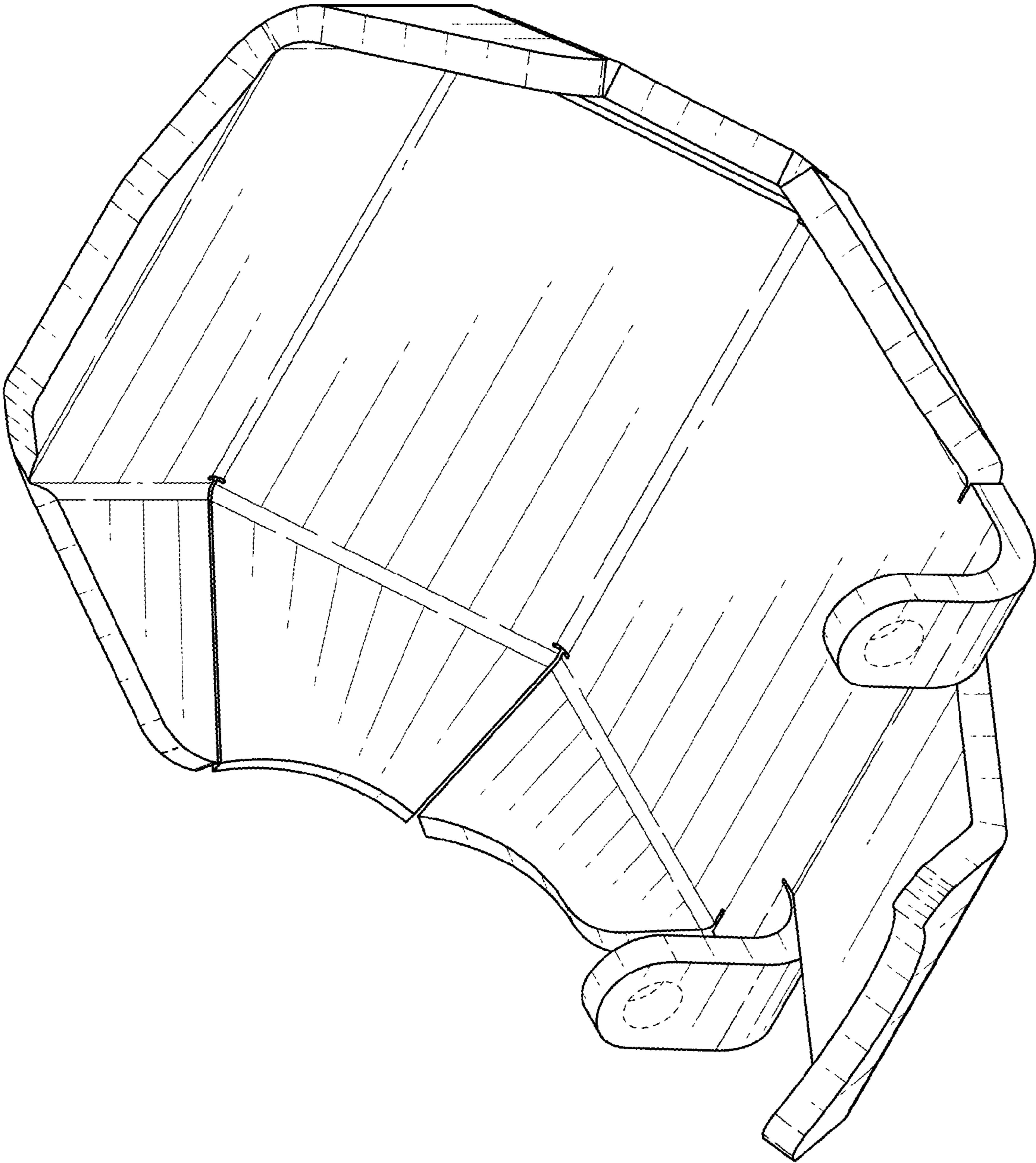


FIG. 8

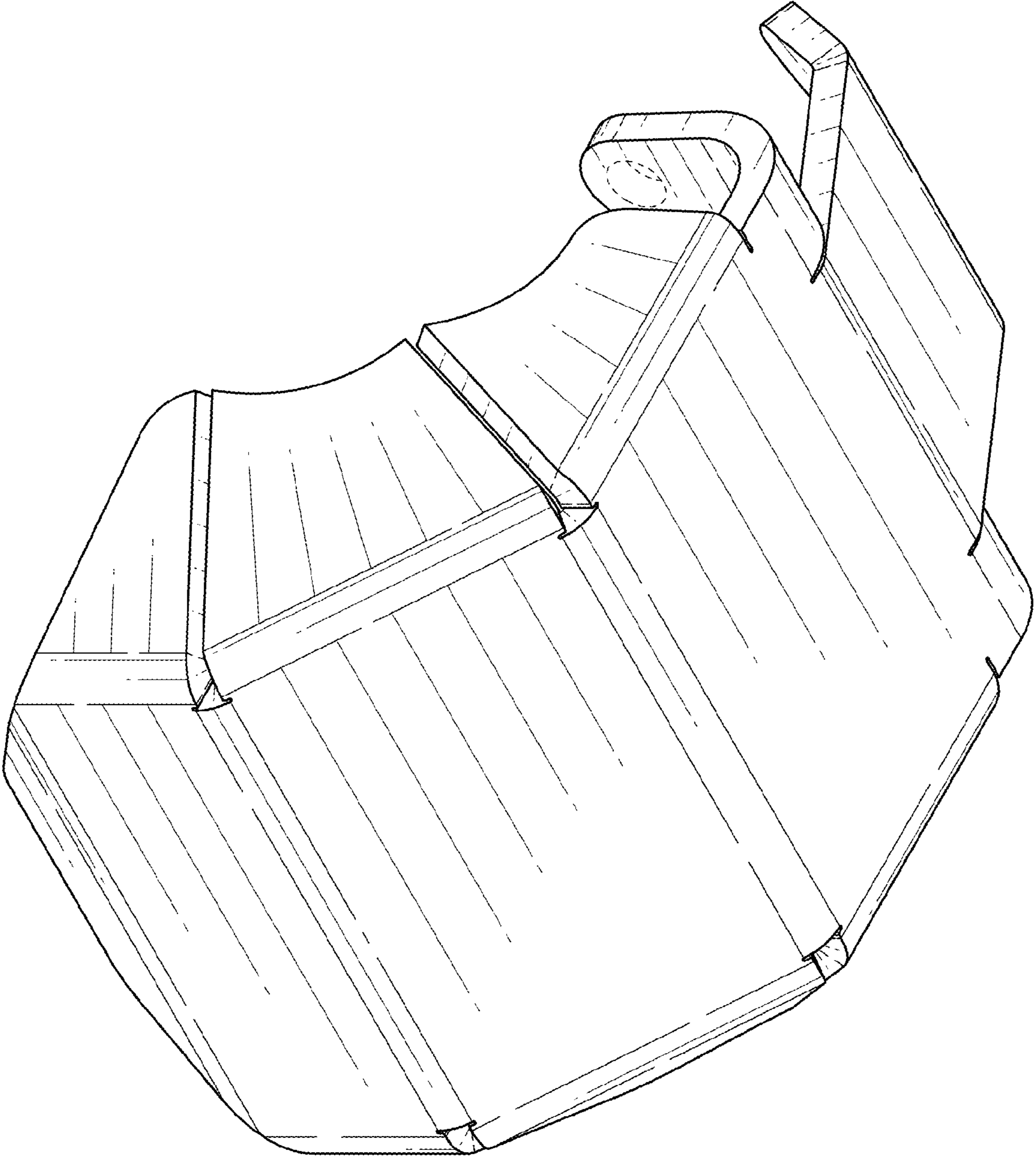


FIG. 9