



US0D1054505S

(12) **United States Design Patent** (10) **Patent No.: US D1,054,505 S**  
**Collins et al.** (45) **Date of Patent: \*\* Dec. 17, 2024**

(54) **MODEL VEHICLE SERVO MOUNT**

FOREIGN PATENT DOCUMENTS

(71) Applicant: **TRAXXAS, L.P.**, McKinney, TX (US)

EM 015013355-0039 \* 3/2023  
GB 6265749 \* 3/2023

(72) Inventors: **Trent Collins**, McKinney, TX (US);  
**Otto Karl Allmendinger**, Rowlett, TX (US)

OTHER PUBLICATIONS

(73) Assignee: **TRAXXAS, L.P.**, McKinney, TX (US)

Traxxas TRX-4M Aluminum Servo Mount (Blue), Part#: TRA9739-Blue, as shown in www.amainhobbies.com, May 18, 2023. (Year: 2023).\*

(\*\*) Term: **15 Years**

(Continued)

(21) Appl. No.: **29/852,594**

*Primary Examiner* — Gino Colan

(22) Filed: **Sep. 8, 2022**

*Assistant Examiner* — Gregory G McLemore

(51) **LOC (14) Cl.** ..... **21-01**

(74) *Attorney, Agent, or Firm* — Daryl R. Wright; Greg Carr

(52) **U.S. Cl.**

USPC ..... **D21/561**; D21/562; D21/495; D13/112

(58) **Field of Classification Search**

USPC ..... D13/110, 112, 122; D21/495, 561, 562;  
D12/114, 159, 160, 162, 406

CPC ..... H01Q 1/125; H02K 7/116; H02K 11/21;  
G11B 5/59633; G11B 5/59638

See application file for complete search history.

(56) **References Cited**

U.S. PATENT DOCUMENTS

D674,343 S	1/2013	Chen	
D682,783 S	5/2013	Chen	
D793,337 S *	8/2017	Christensen	D13/112
D960,255 S *	8/2022	Ewing	D21/562
D1,031,781 S *	6/2024	Sprowl	D21/495
D1,040,255 S *	8/2024	Ewing	D21/561
2004/0160133 A1	8/2004	Jinno et al.	
2009/0066176 A1	3/2009	Petty	
2013/0099631 A1*	4/2013	Petty	A63H 29/00 310/68 B
2014/0161632 A1	6/2014	Cocconi	
2014/0360298 A1	12/2014	Wei	
2015/0207368 A1	7/2015	Chen et al.	
2015/0285339 A1	10/2015	Chen	

(57) **CLAIM**

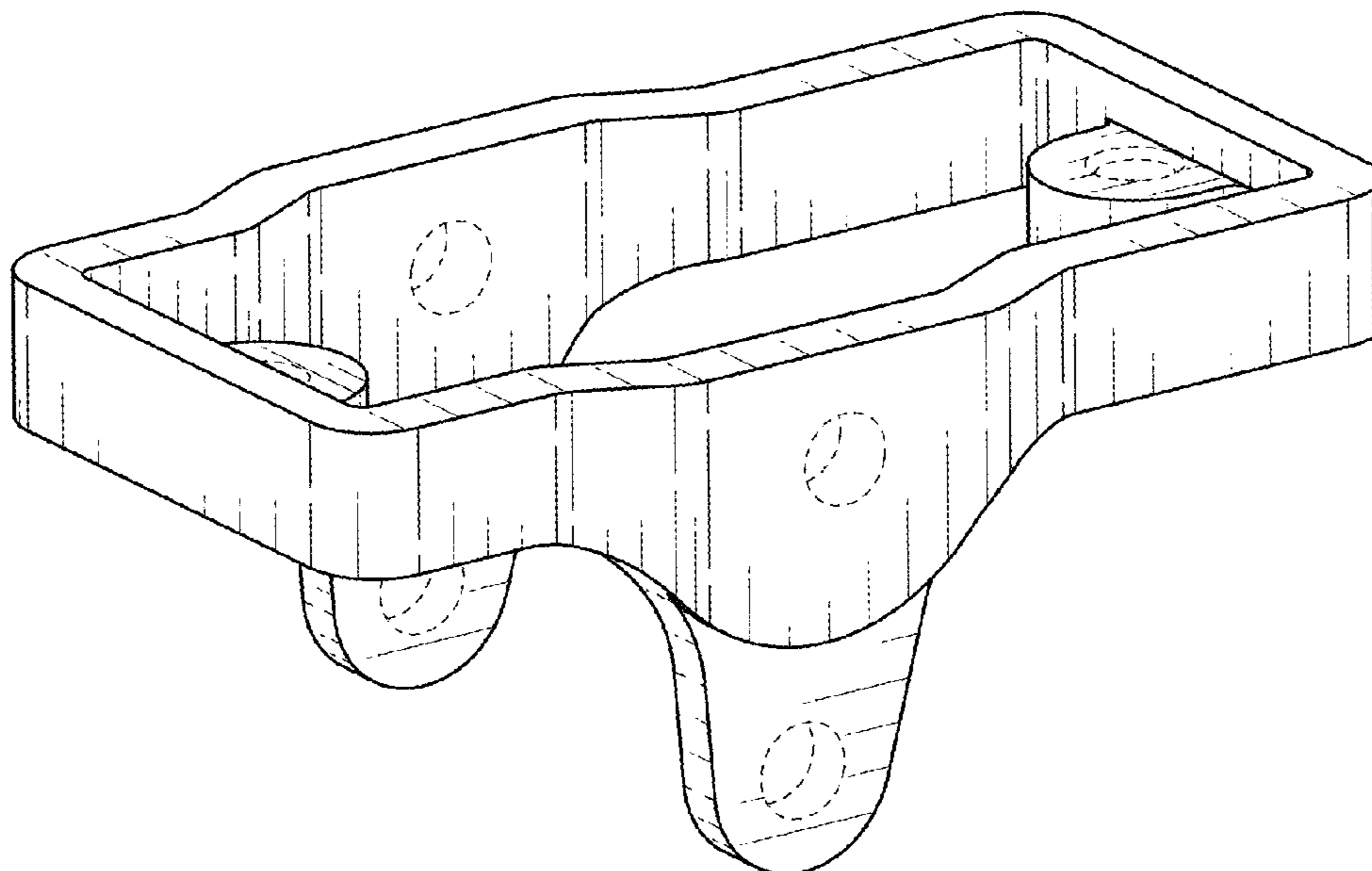
The ornamental design for a model vehicle servo mount as shown and described.

**DESCRIPTION**

FIG. 1 is an upper, left, front perspective view of a model vehicle servo mount showing our new design; FIG. 2 is a front elevation view thereof; FIG. 3 is a rear elevation view thereof; FIG. 4 is a right side elevation view thereof; FIG. 5 is a left side elevation view thereof; FIG. 6 is an upper plan view thereof; FIG. 7 is a lower plan view thereof; FIG. 8 is a lower, left, front perspective view thereof; FIG. 9 is a lower, right, rear perspective view thereof; and, FIG. 10 is an upper, right, rear perspective view of the model vehicle servo mount.

In the drawings, the broken lines illustrate portions of the model vehicle servo mount that form no part of the claimed design.

**1 Claim, 6 Drawing Sheets**



(56)

**References Cited**

## OTHER PUBLICATIONS

Brand: hopsupRC, Aluminium Steering Servo Mount for 1/18 TRX4M, Alloy Steering Servo Mount Hops Ups 1/18 TRX4M, Silver, ASIN B0BR2FNRRD, as shown in [www.amazon.com](http://www.amazon.com), no date listed, date found Oct. 18, 2024. (Year: 2024).\*

Injora 7KG Servo INJS2065 with Mount and Servo Horn for TRX4M TRX4MT 1/18 RC Crawler Upgrade Parts, High Torque Waterproof, ASIN B0CD1FTQRL, as shown in [www.amazon.com](http://www.amazon.com), Aug. 16, 2023. (Year: 2023).\*

RC Digital Servo, High Torque Waterproof Metal Gear Servo with Servo Mount Bracket & Arm & Steering Link Combo for 1/18 TRX4M RC Crawler Car Upgrade Parts, ASIN B0C58K38C5, as shown in [www.amazon.com](http://www.amazon.com), May 25, 2023. (Year: 2023).\*

ST Racing Concepts Aluminum HD Steering Servo Mount for Traxxas TRX-4M (Gun Metal), Part#: SPTST9739GM, as shown in [www.amainhobbies.com](http://www.amainhobbies.com), Jan. 18, 2023. (Year: 2023).\*

Nexx Racing CNC Alu Servo Mount for TRX-4M—HeliDirect, SKU: NX-377-R, as shown in [www.directrc.com](http://www.directrc.com), no date listed, date found Oct. 18, 2024. (Year: 2024).\*

Yeah Racing Aluminum Servo Mount for Traxxas TRX-4M (Red) (Traxxas/EcoPower), Part#: YEA-TR4M-011RD, as shown in [www.hobbytown.com](http://www.hobbytown.com), Feb. 21, 2023. (Year: 2023).\*

Samix Aluminum Servo Mount for Traxxas TRX-4M (Black) (Traxxas/EcoPower), Part#: SAMTRX4M-6068-BK, as shown in [www.hobbytown.com](http://www.hobbytown.com), Mar. 16, 2023. (Year: 2023).\*

\* cited by examiner

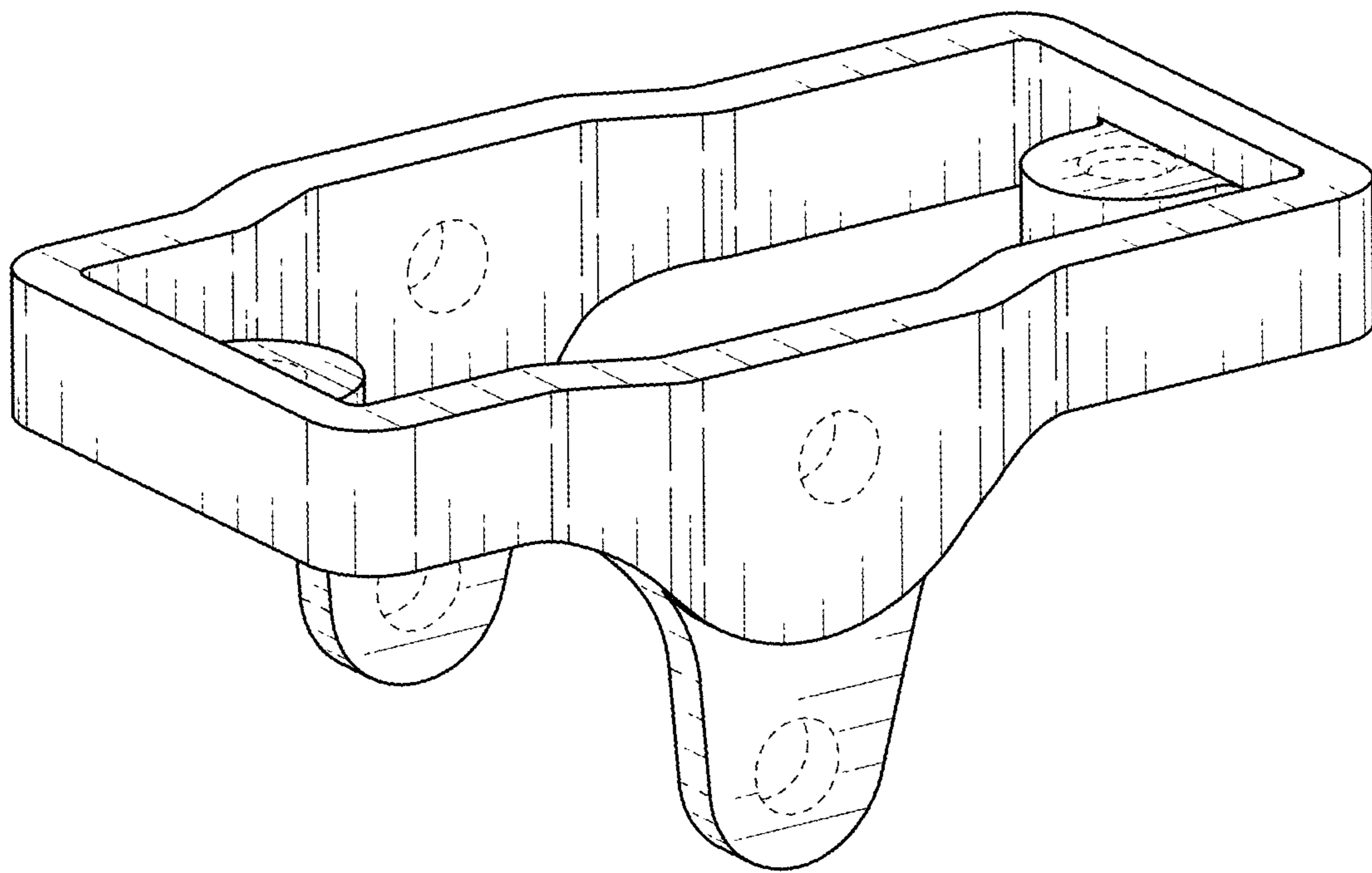


FIG. 1

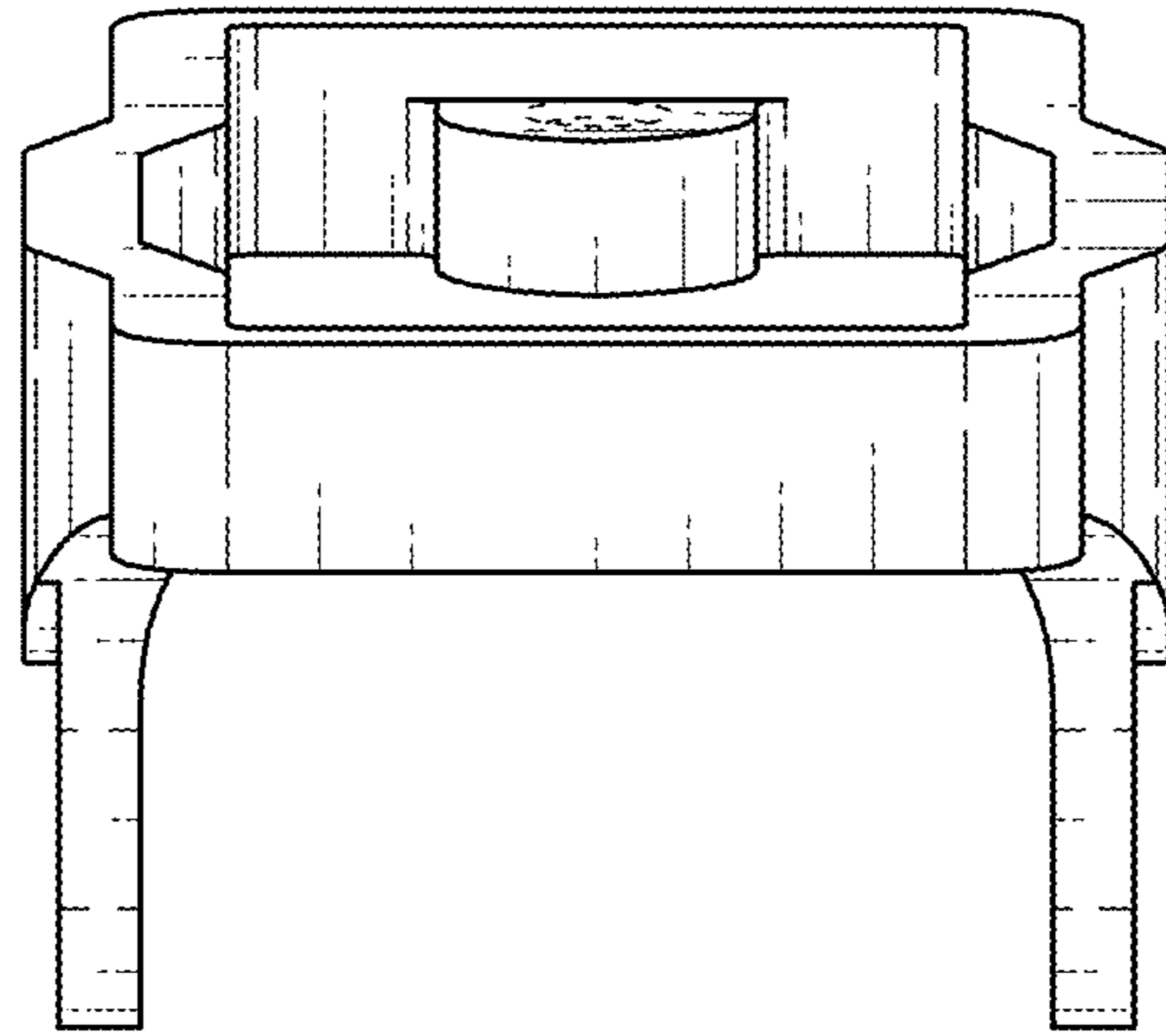


FIG. 2

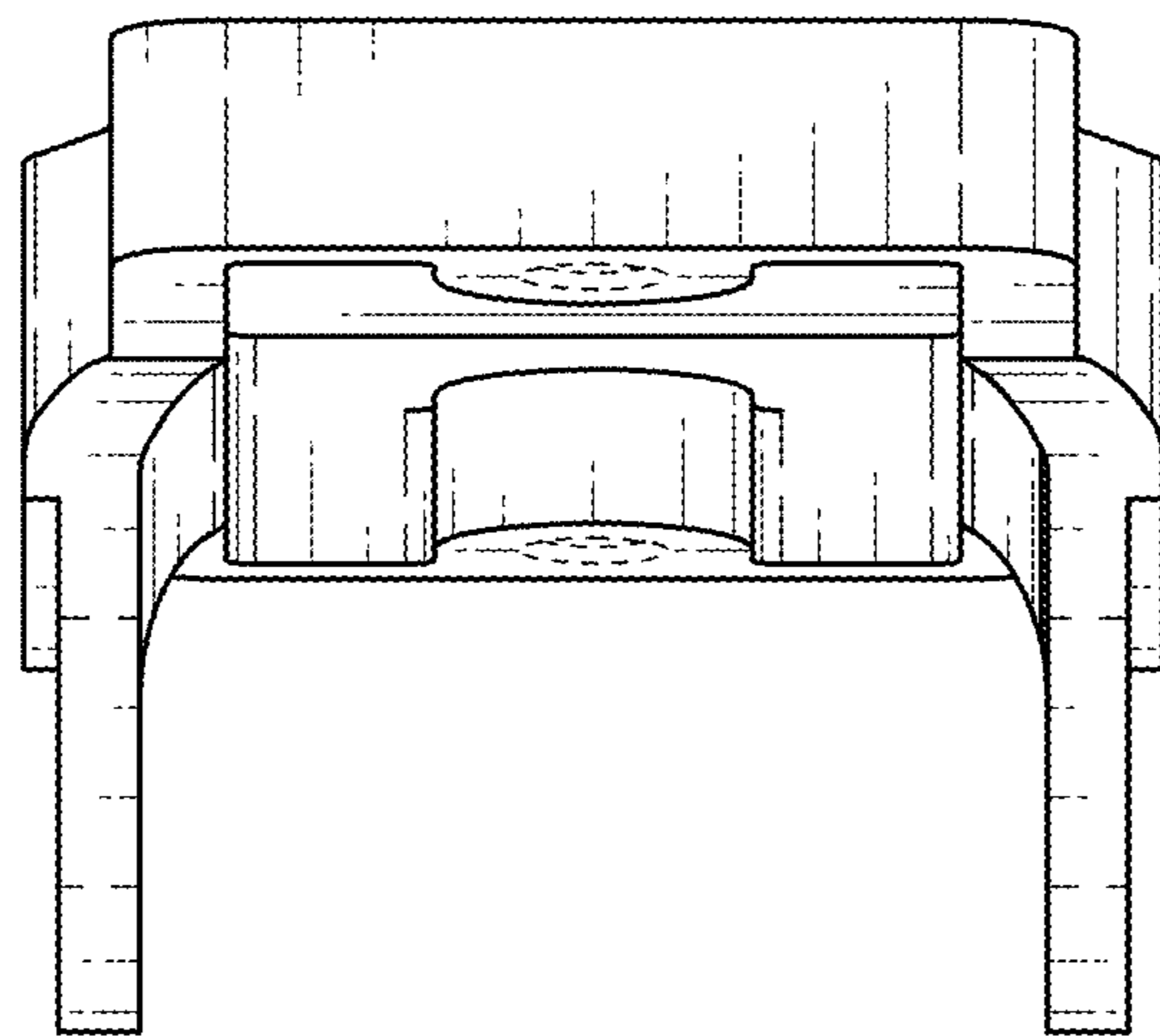


FIG. 3

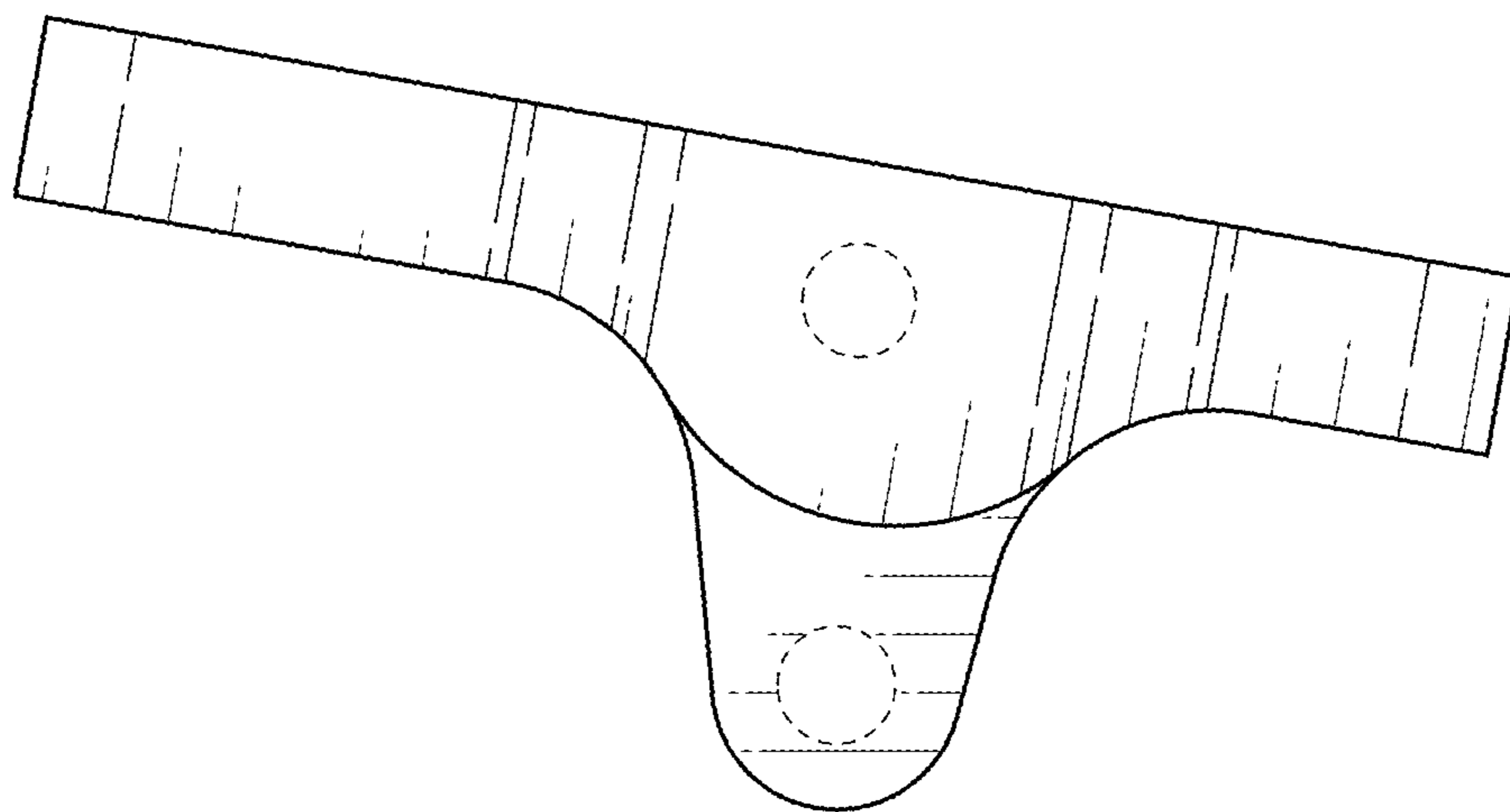


FIG. 4

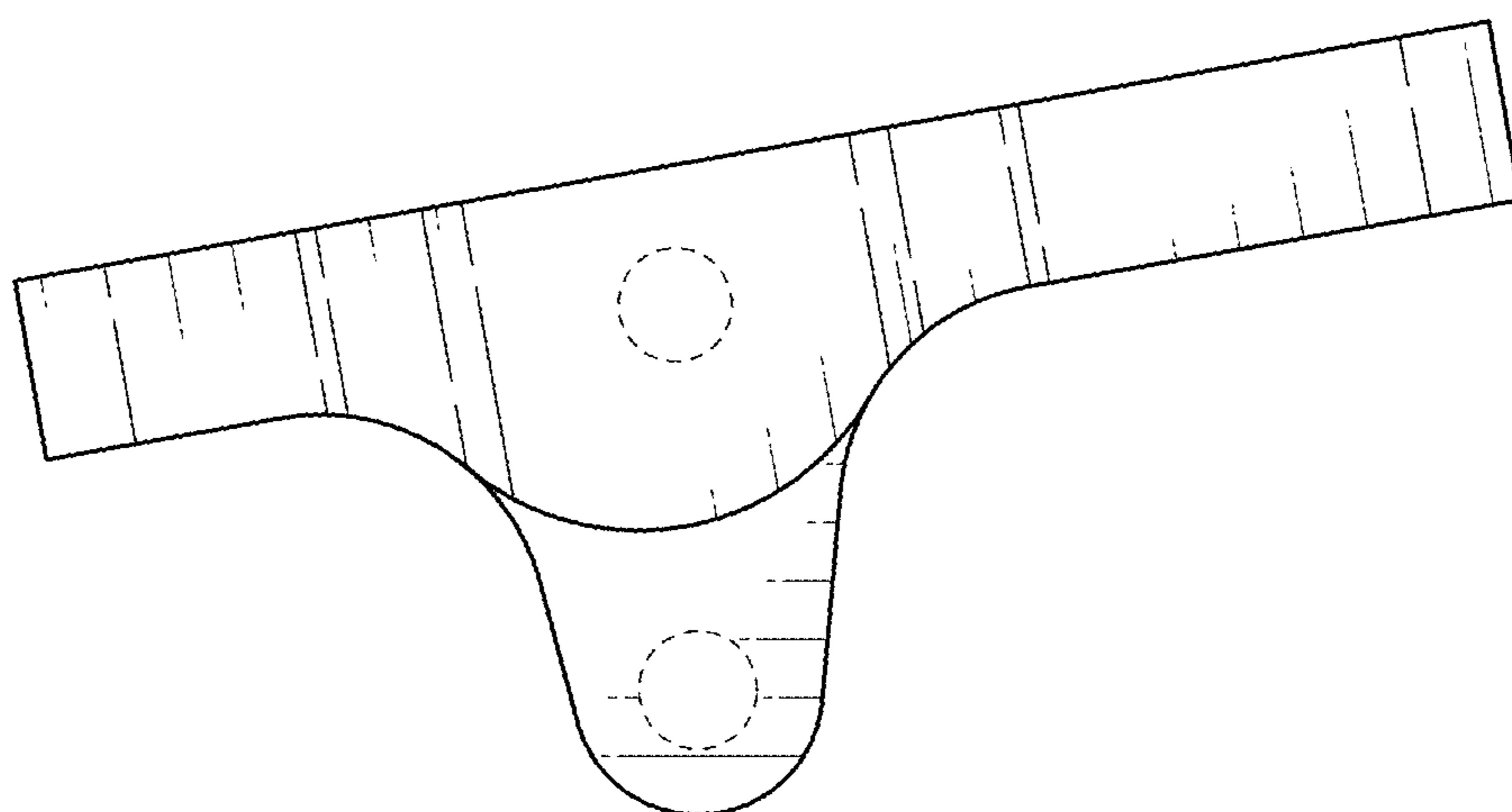


FIG. 5

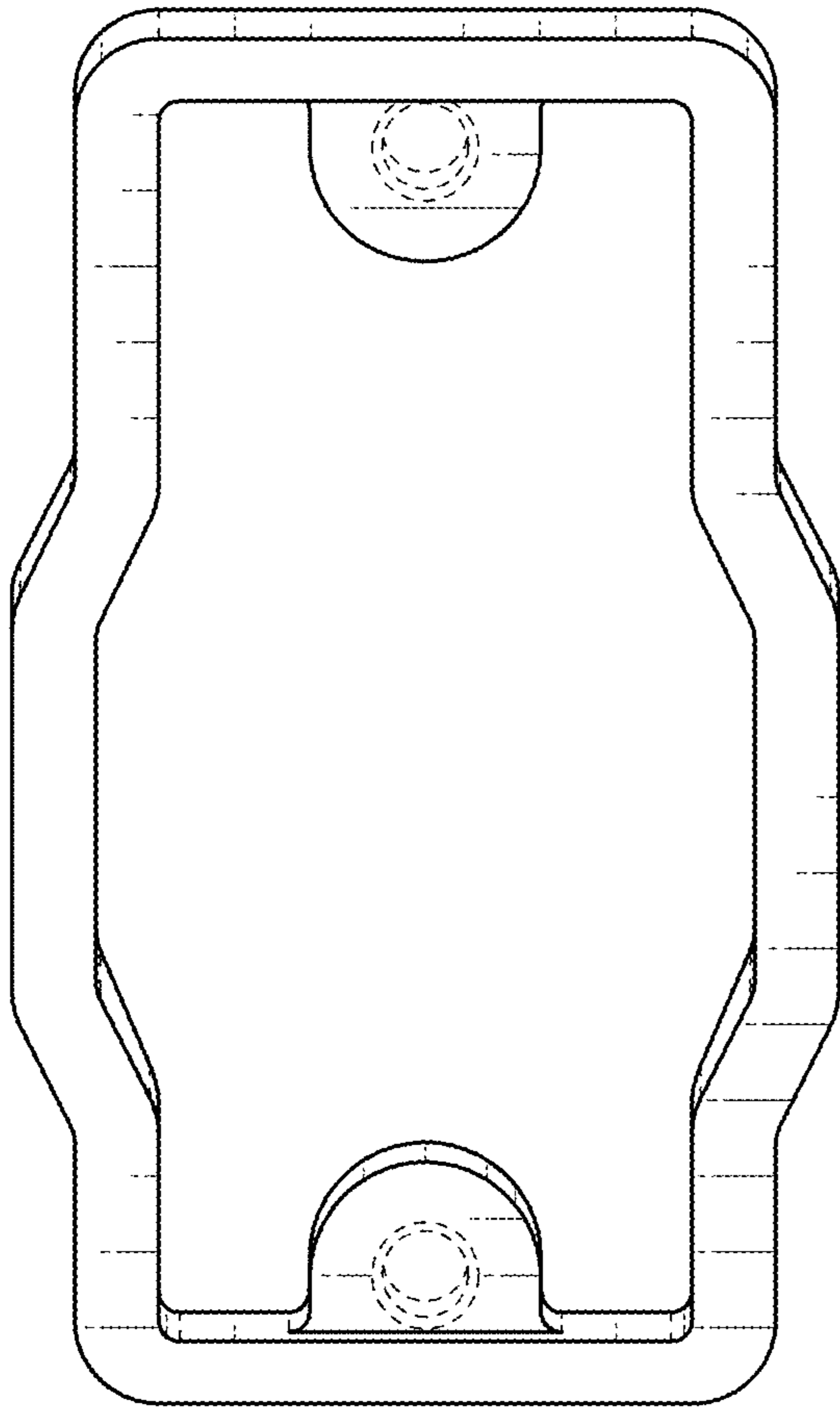


FIG. 6

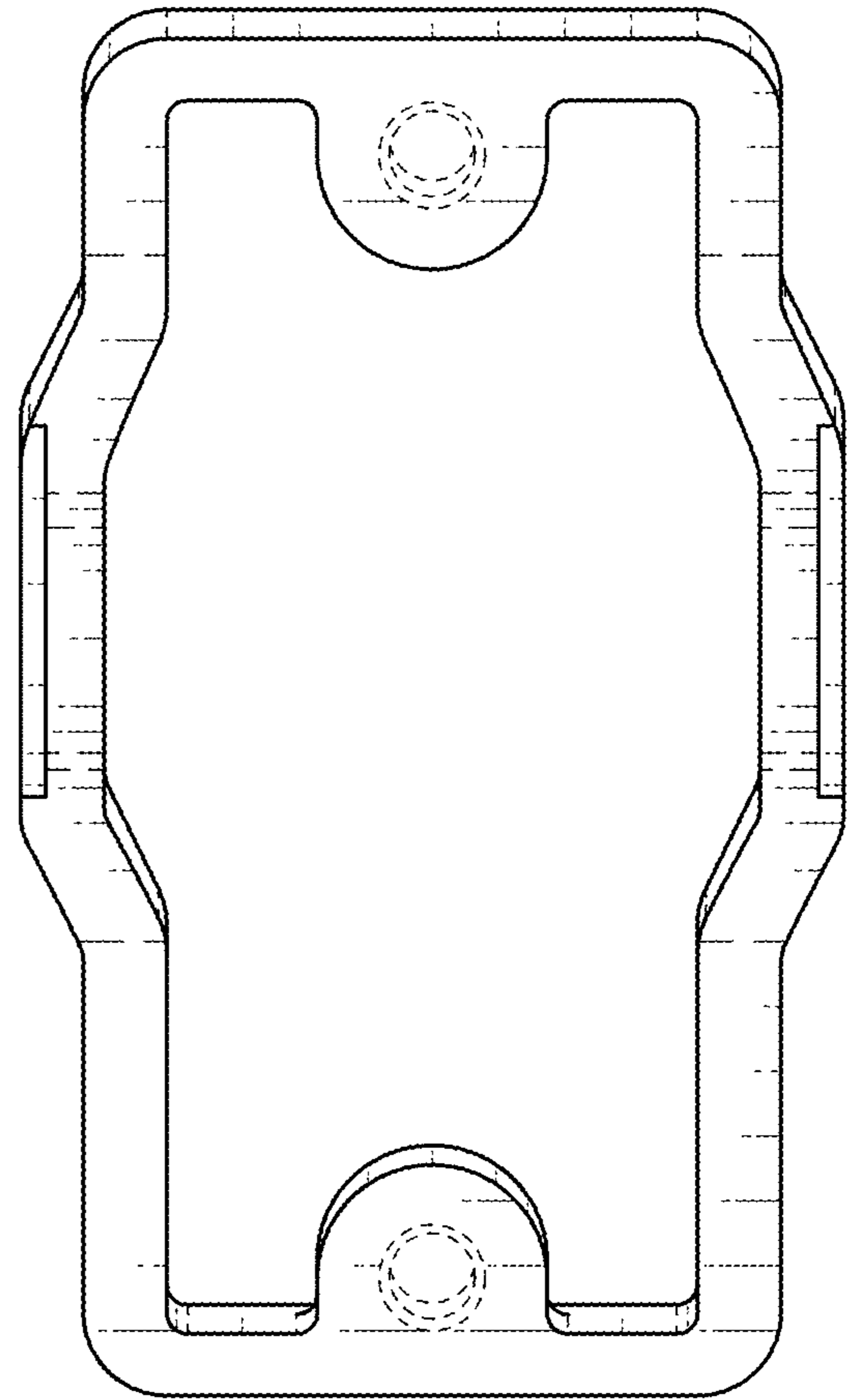


FIG. 7

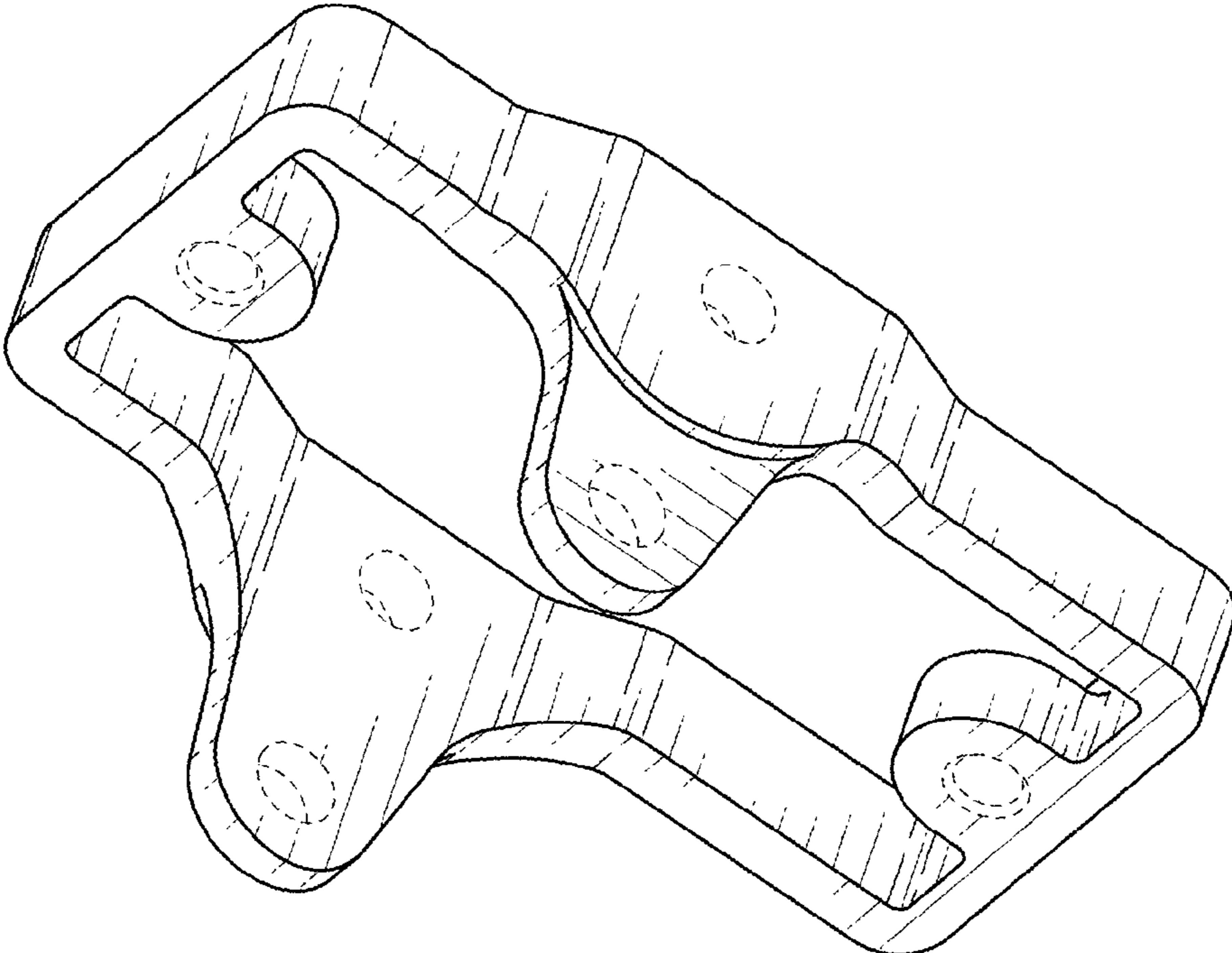


FIG. 8

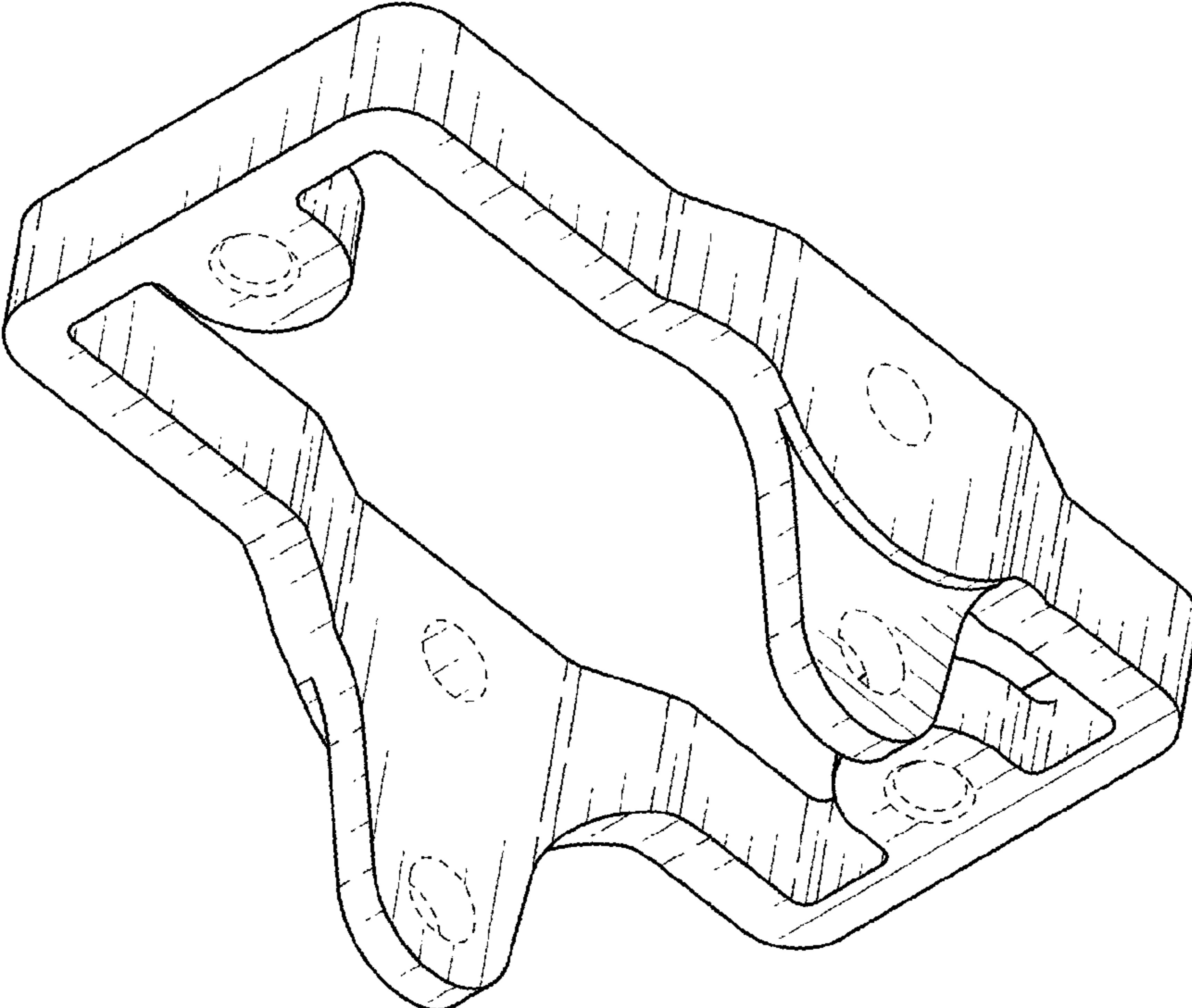


FIG. 9

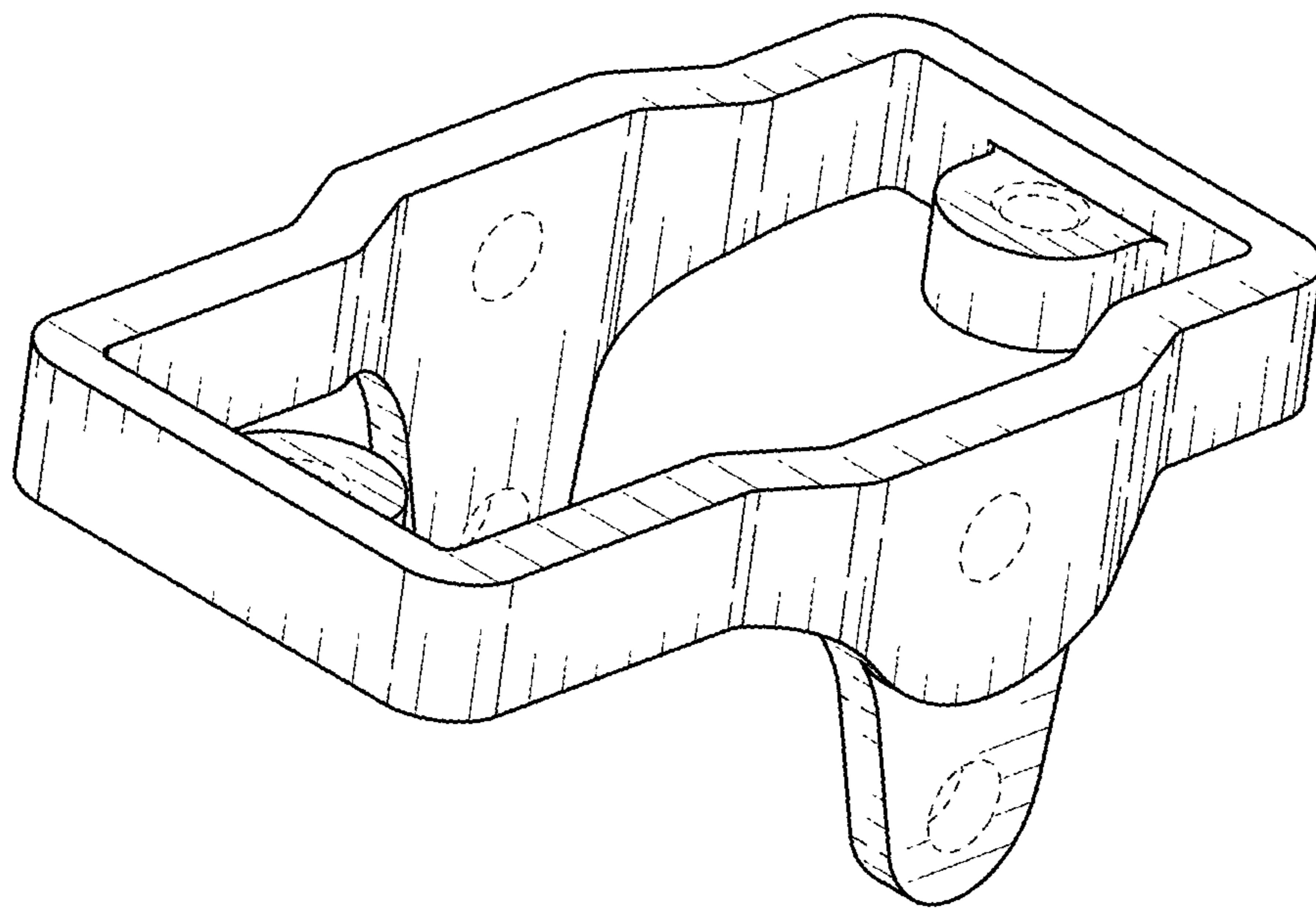


FIG. 10