



US0D1054385S

(12) **United States Design Patent** (10) **Patent No.:** **US D1,054,385 S**  
**Whiting et al.** (45) **Date of Patent:** **\*\* Dec. 17, 2024**

(54) **CHARGING CONNECTOR**  
(71) Applicant: **Schumacher Electric Corporation**,  
Fort Worth, TX (US)  
(72) Inventors: **John S. Whiting**, North Richland Hills,  
TX (US); **Randall Lawson**,  
Champaign, IL (US); **Patrick J. Clarke**, St. Charles, IL (US); **Donald Anderson**, Oak Park, IL (US); **Mark Kurth**, La Porte, IN (US); **Oluwadurotimi Solola**, Chicago, IL (US); **John C. Olson**, Livingston, TX (US)

(73) Assignee: **Schumacher Electric Corporation**,  
Fort Worth, TX (US)

(\*\*) Term: **15 Years**

(21) Appl. No.: **29/786,615**

(22) Filed: **Jun. 1, 2021**

(51) **LOC (14) Cl.** ..... **13-03**

(52) **U.S. Cl.**  
USPC ..... **D13/146**

(58) **Field of Classification Search**  
USPC ..... D13/107, 108, 118, 119, 184, 199, 133,  
D13/146, 110  
CPC ..... B60L 53/10; B60L 53/16; B60L 53/18;  
H02J 7/00; H02J 7/02; H02J 7/025; H02J  
7/0013; H02J 7/0042; H02J 7/0044; H02J  
7/0045; H02J 50/005; H02J 50/10; H05K  
5/02; H05K 5/0217; H05K 5/0247; H01R  
13/10; H01R 13/11  
See application file for complete search history.

(56) **References Cited**

**U.S. PATENT DOCUMENTS**

D587,202 S \* 2/2009 Dobler ..... D13/133  
D626,063 S 10/2010 Cutter et al.

D665,733 S 8/2012 Petrie et al.  
D667,378 S \* 9/2012 Yamamoto ..... D13/133  
D667,379 S \* 9/2012 Fukushima ..... D13/133  
D667,793 S \* 9/2012 Yamamoto ..... D13/133  
D669,033 S \* 10/2012 Senk ..... D13/133  
D671,074 S \* 11/2012 Hori ..... D13/144  
D673,122 S \* 12/2012 Huss, Jr. .... D13/133  
D694,188 S \* 11/2013 Ferguson ..... D13/133  
D697,869 S \* 1/2014 Yamamoto ..... D13/146  
D697,870 S \* 1/2014 Yamamoto ..... D13/146  
D698,730 S \* 2/2014 Hori ..... D13/146  
D700,143 S \* 2/2014 Ichio ..... D13/133  
D702,186 S \* 4/2014 Muller ..... D13/133  
D702,641 S \* 4/2014 Ichio ..... D13/146  
D702,648 S \* 4/2014 Ichio ..... D13/174  
D702,656 S \* 4/2014 Ichio ..... D13/184  
D711,831 S \* 8/2014 Muller ..... D13/146

(Continued)

*Primary Examiner* — Christy Nemeth

(74) *Attorney, Agent, or Firm* — Michael Stanley Tomsa;  
Amanda C. Jackson; McAndrews, Held & Malloy, Ltd.

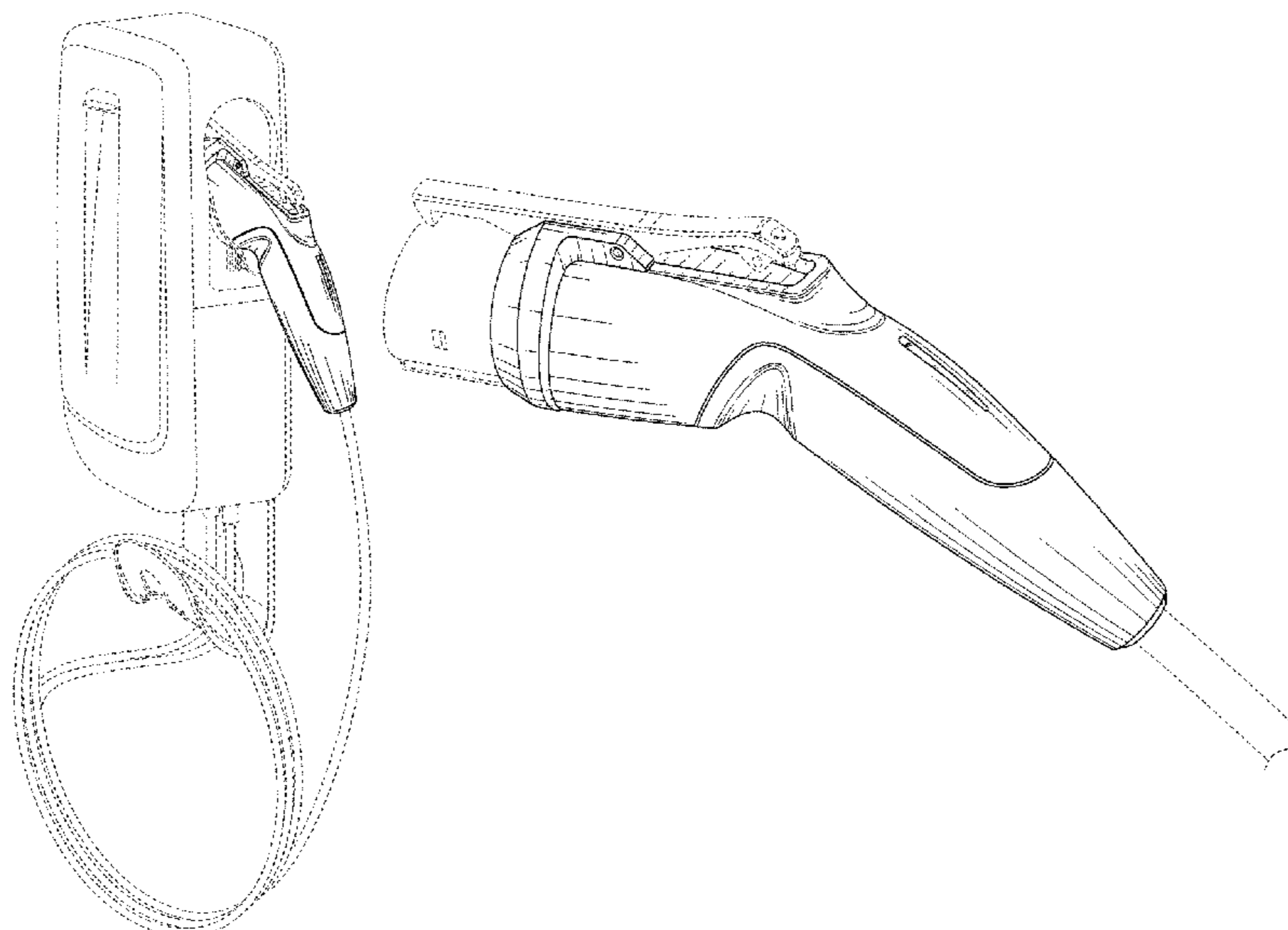
(57) **CLAIM**

The ornamental design for a charging connector, as shown and described.

**DESCRIPTION**

FIG. 1 is a first perspective view of a charging connector, shown in an environment of use;  
FIG. 2 is a second perspective view of the charging connector;  
FIG. 3 is a left side elevation view thereof;  
FIG. 4 is a right side elevation view thereof;  
FIG. 5 is a front elevation view thereof;  
FIG. 6 is a rear elevation view thereof;  
FIG. 7 is a top plan view thereof; and,  
FIG. 8 is a bottom plan view thereof.  
The broken lines in the drawings illustrate both portions of the article and environmental subject matter that form no part of the claimed design.

**1 Claim, 7 Drawing Sheets**



(56)

References Cited

U.S. PATENT DOCUMENTS

D711,832 S *	8/2014	Muller	.....	D13/146	D1,010,583 S *	1/2024	Wallensteiner	.....	D13/139.7
D714,225 S *	9/2014	Ichio	.....	D13/146	D1,010,584 S *	1/2024	Wallensteiner	.....	D13/139.7
D716,233 S *	10/2014	Lai	.....	D13/146	D1,018,469 S *	3/2024	Maiwald	.....	D13/133
D720,297 S *	12/2014	Meis	.....	D13/146	D1,024,932 S *	4/2024	Chen	.....	D13/107
D731,974 S *	6/2015	Hori	.....	D13/146	D1,028,879 S *	5/2024	Hashiguchi	.....	D13/107
D732,470 S	6/2015	Moribe et al.			D1,029,753 S *	6/2024	Whiting	.....	D13/108
D743,893 S *	11/2015	Kuribayashi	.....	D13/146	D1,034,471 S *	7/2024	Maiwald	.....	D13/133
D768,082 S *	10/2016	Chuang	.....	D13/146	D1,035,580 S *	7/2024	Loercher	.....	D13/133
D791,074 S	7/2017	Kim et al.			D1,035,589 S *	7/2024	Williams	.....	D13/146
D797,052 S *	9/2017	Moseke	.....	D13/146	D1,035,590 S *	7/2024	Garcia-Ferre	.....	D13/146
D857,634 S *	8/2019	Reitenbach	.....	D13/133	D1,036,386 S *	7/2024	Loercher	.....	D13/133
D870,037 S	12/2019	Lee			D1,037,161 S *	7/2024	Loercher	.....	D13/133
D884,645 S *	5/2020	Fukuyama	.....	D13/146	2021/0206280 A1 *	7/2021	Führer	.....	H01R 24/30
D890,704 S *	7/2020	Moseke	.....	D13/146	2022/0194236 A1 *	6/2022	Whiting	.....	B60L 53/55
D925,443 S *	7/2021	Moseke	.....	D13/107	2022/0234455 A1 *	7/2022	Fuehrer	.....	B60L 53/302
D928,714 S *	8/2021	Van-Der-Veer	.....	D13/146	2022/0281334 A1 *	9/2022	Xia	.....	B60L 53/16
D998,571 S *	9/2023	Luo	.....	D13/133	2022/0371457 A1 *	11/2022	Park	.....	H01R 13/639
D1,010,578 S *	1/2024	Wallensteiner	.....	D13/107	2023/0398885 A1 *	12/2023	Takagi	.....	H01R 13/621
					2024/0149716 A1 *	5/2024	Ive	.....	B60L 53/16
					2024/0208342 A1 *	6/2024	Stamm	.....	H01R 13/502
					2024/0270096 A1 *	8/2024	Shin	.....	H01R 13/6275

\* cited by examiner

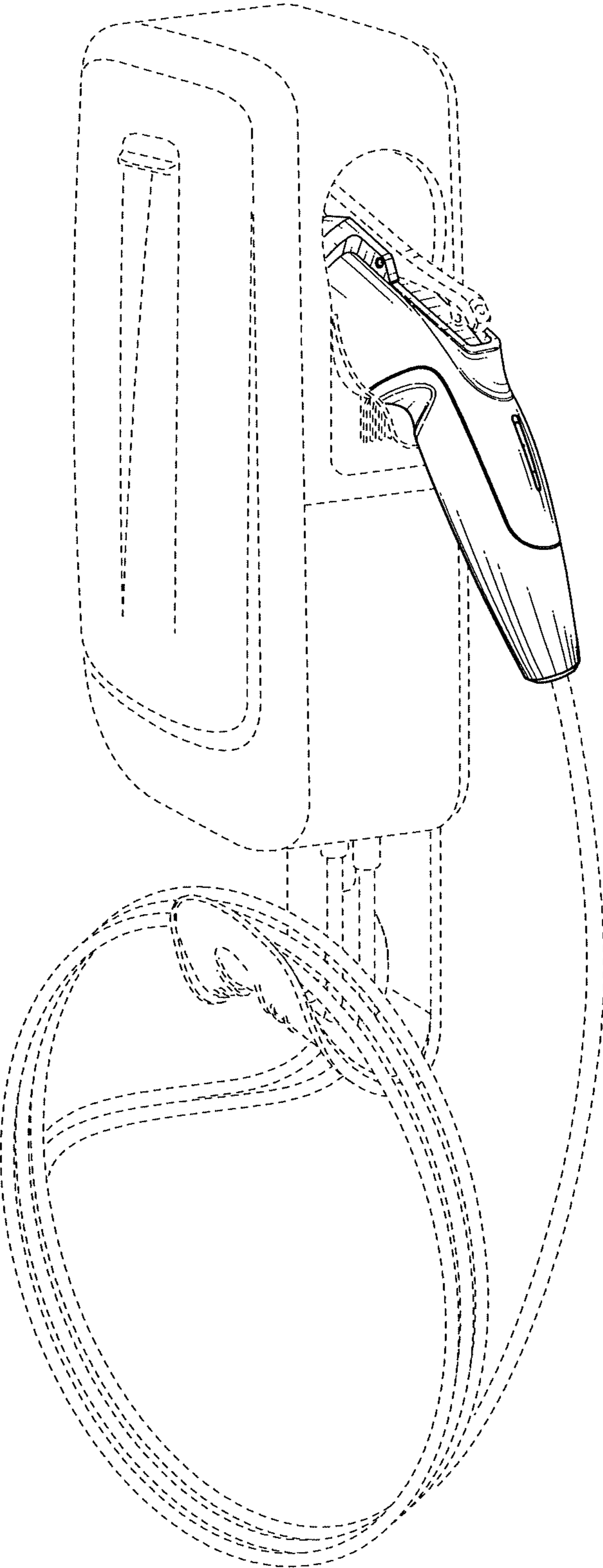


FIG. 1

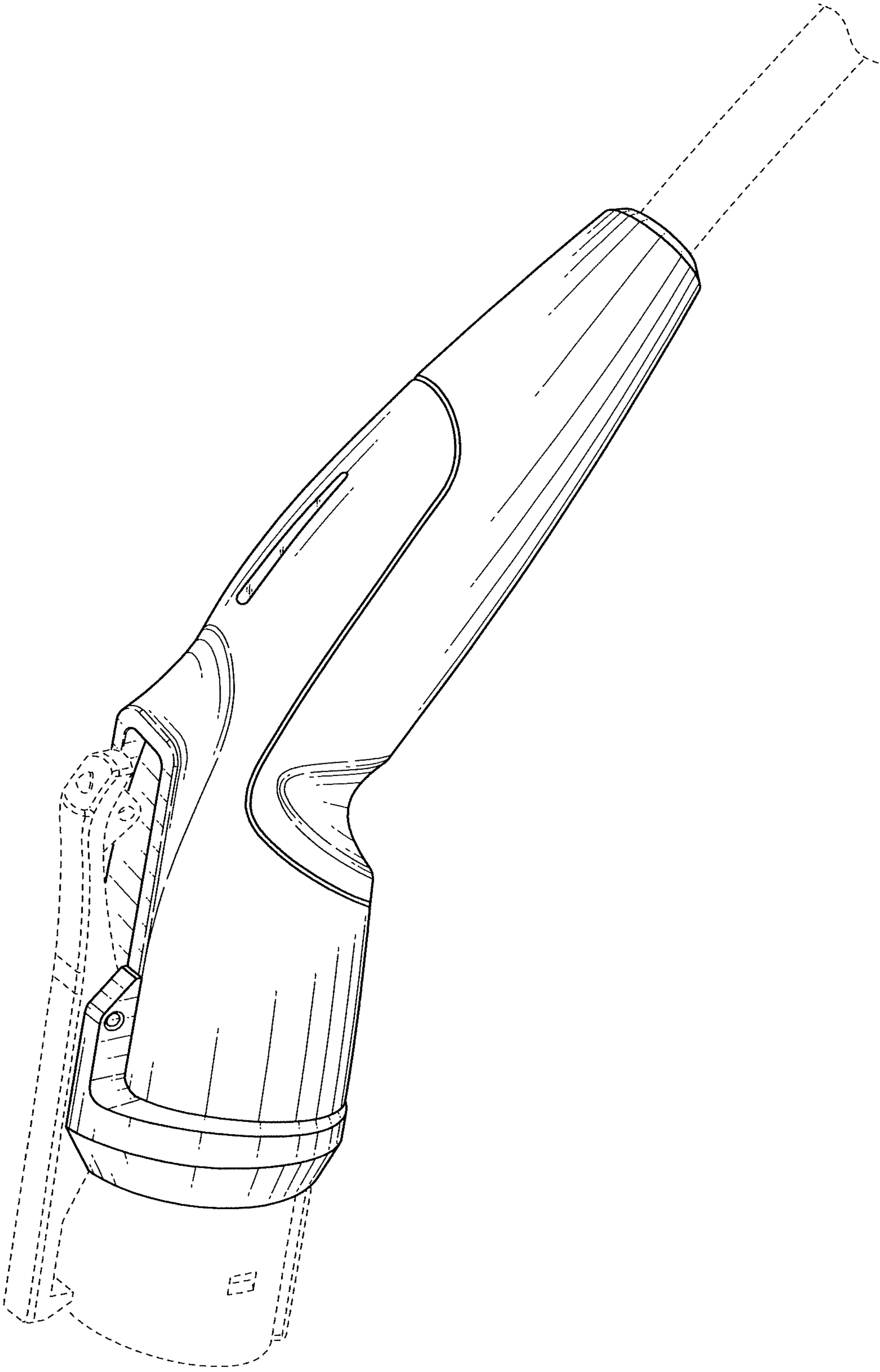


FIG. 2



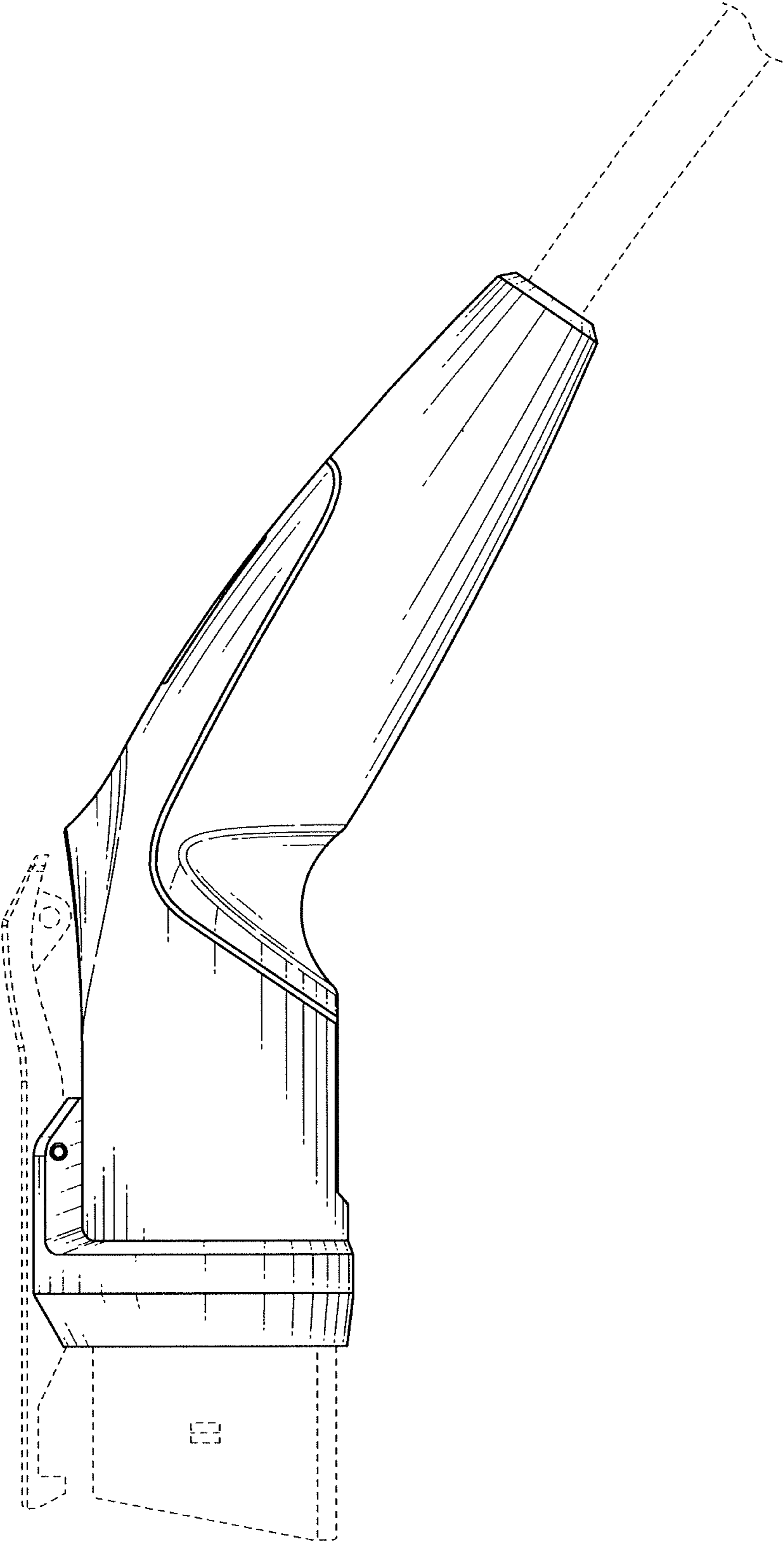


FIG. 3

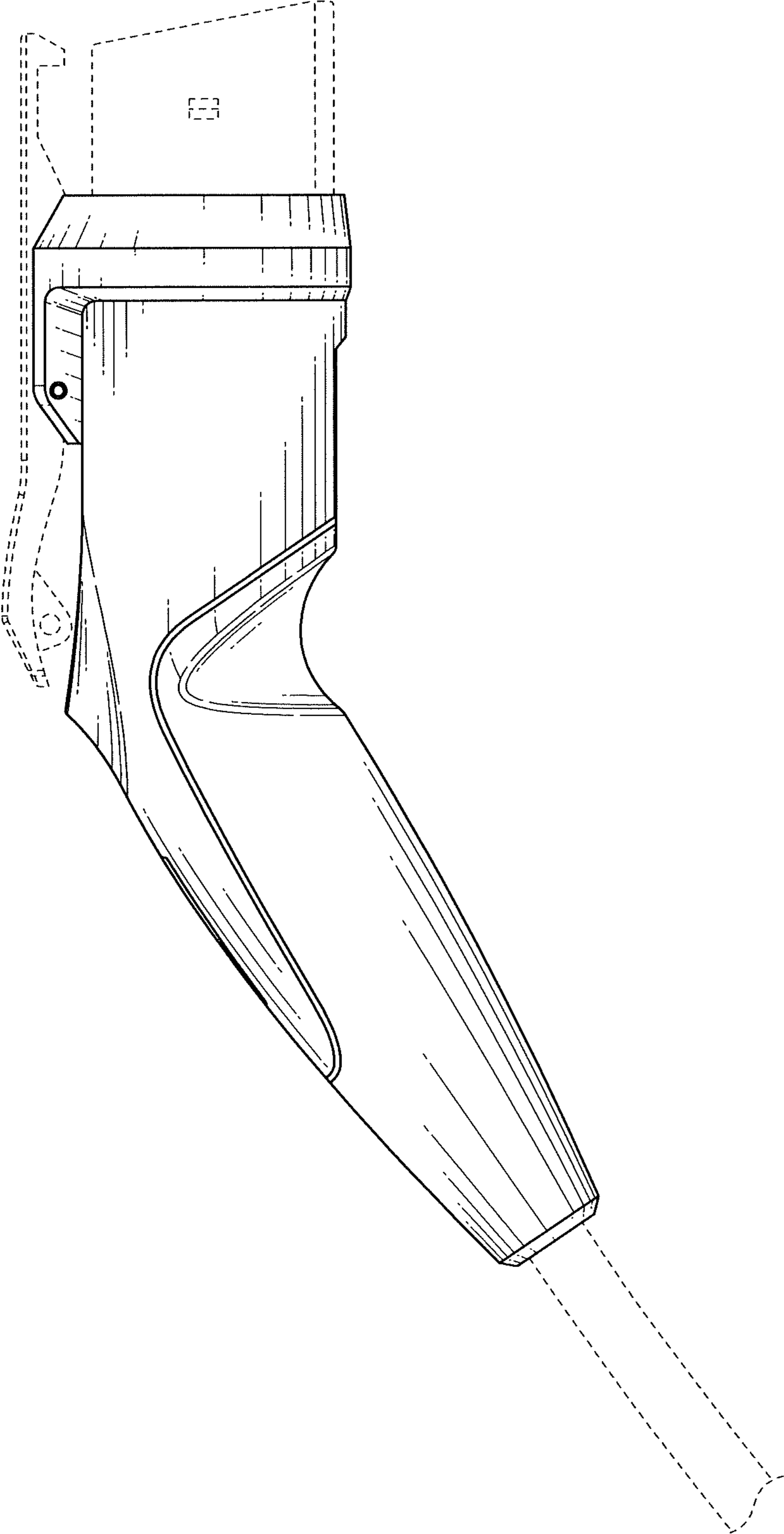


FIG. 4

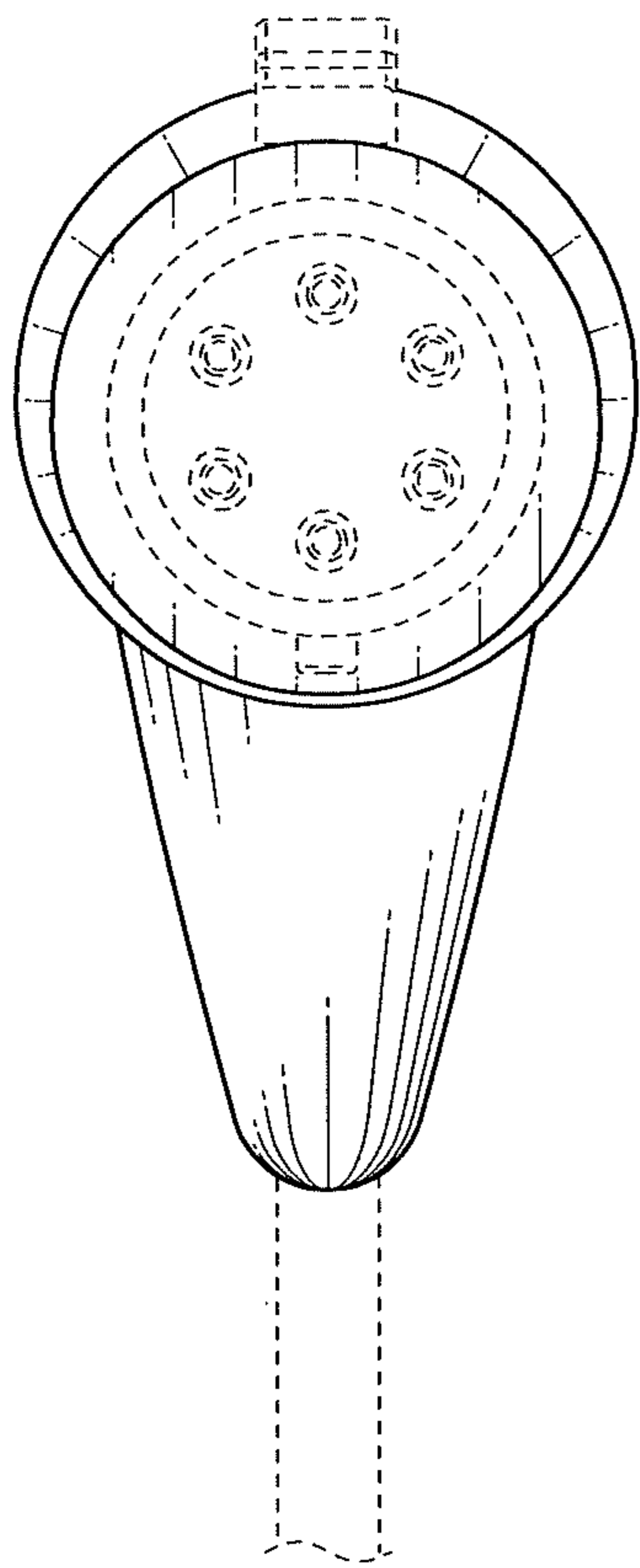


FIG. 5

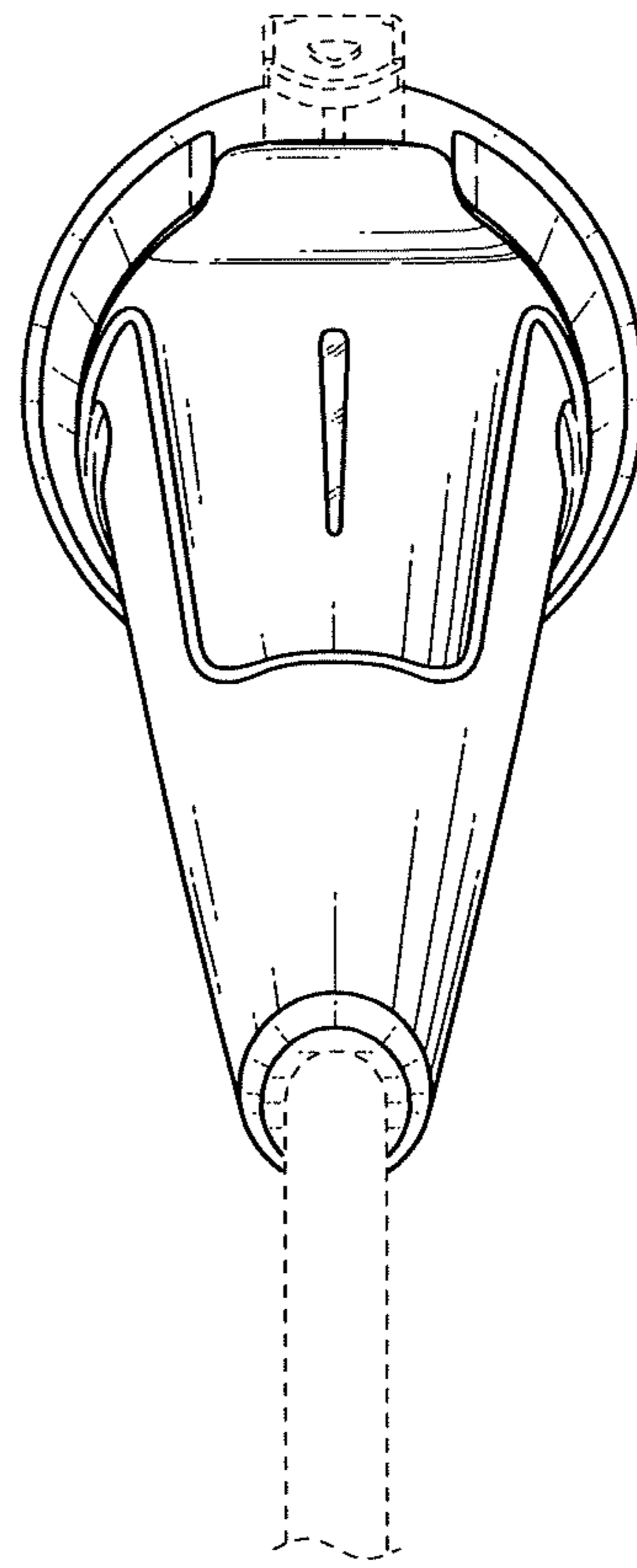


FIG. 6

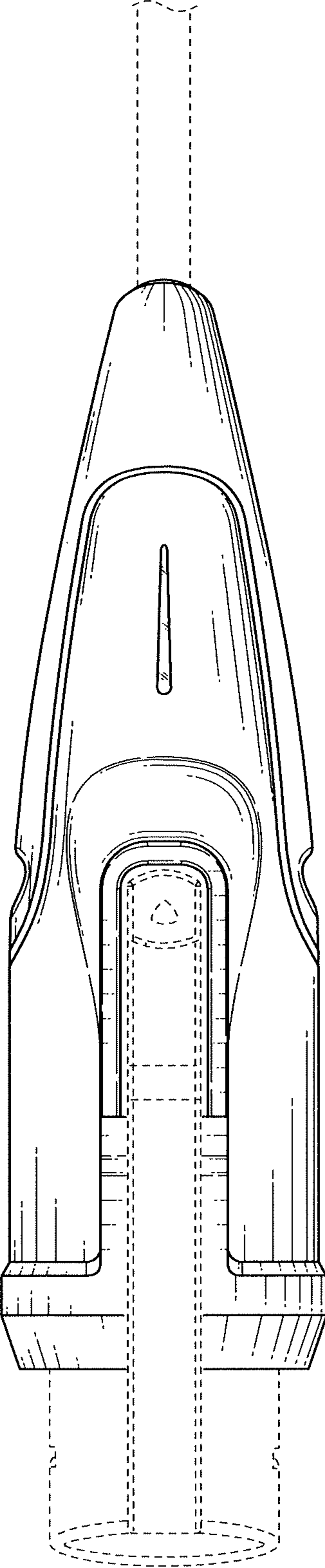


FIG. 7



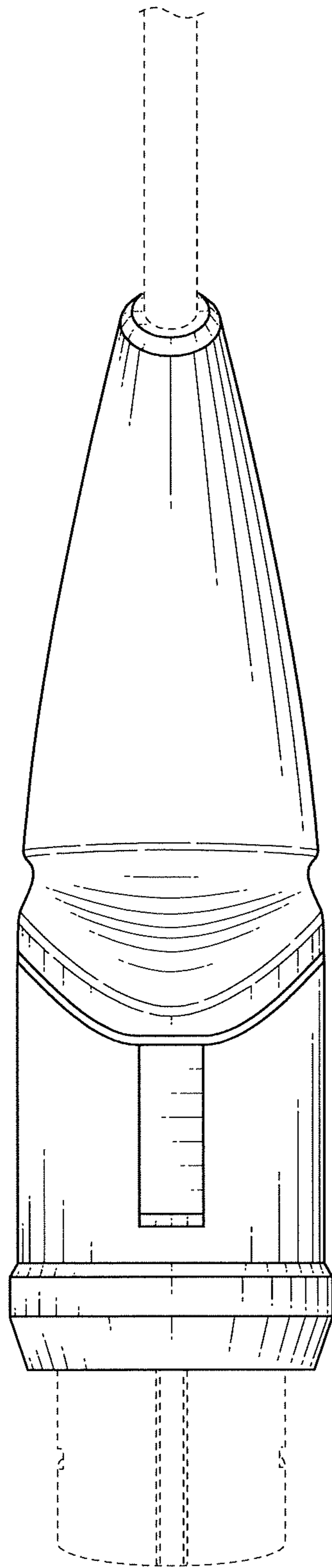


FIG. 8