



US0D1054382S

(12) **United States Design Patent** (10) **Patent No.:** **US D1,054,382 S**  
**Ewing et al.** (45) **Date of Patent:** **\*\* Dec. 17, 2024**

(54) **ELECTRICAL CONNECTOR**

FOREIGN PATENT DOCUMENTS

(71) Applicant: **TRAXXAS, L.P.**, McKinney, TX (US)

CN 303338460 \* 8/2015  
DE 704450 C 3/1941

(72) Inventors: **Adam Cole Ewing**, McKinney, TX (US); **Otto Karl Allmendinger**, Rowlett, TX (US); **Kent Poteet**, Lucas, TX (US); **Ross Martin**, Roanoke, TX (US); **Trent Collins**, McKinney, TX (US); **Caleb Hix**, McKinney, TX (US); **Scott Rollin Schmitz**, Lewisville, TX (US)

(Continued)

OTHER PUBLICATIONS

10142707-02LF, Power 5.70mm Receptacle Housing, Posted Date Aug. 28, 2023 [Online] [Retrieved Oct. 10, 2023] Retrieved From Internet, <https://www.amazon.com/10142707-02LF-5-70mm-Receptacle-Housing-Positions/dp/B07QCD9S95> (Year: 2023).\*

(Continued)

(73) Assignee: **TRAXXAS, L.P.**, McKinney, TX (US)

*Primary Examiner* — Leanne Was-Englehart

(\*\*) Term: **15 Years**

*Assistant Examiner* — Devin Kelly

(21) Appl. No.: **29/852,496**

(74) *Attorney, Agent, or Firm* — Daryl R. Wright; Greg Carr

(22) Filed: **Sep. 7, 2022**

(57) **CLAIM**

(51) **LOC (14) Cl.** ..... **13-03**

The ornamental design for an electrical connector as shown and described.

(52) **U.S. Cl.**

USPC ..... **D13/133**

(58) **Field of Classification Search**

USPC ..... D13/118, 119, 120, 121, 123, 133, 146, D13/154, 147, 149, 173, 174, 199

CPC ..... H01R 9/03; H01R 13/52; H01R 13/64; H01R 13/405; H01R 13/627; H01R 2201/00

See application file for complete search history.

**DESCRIPTION**

FIG. 1 is an upper, left, front perspective view of an electrical connector showing our new design; FIG. 2 is a front elevation view thereof; FIG. 3 is a rear elevation view thereof; FIG. 4 is an upper plan view thereof; FIG. 5 is a lower plan view thereof; FIG. 6 is a right side elevation view thereof; FIG. 7 is a left side elevation view thereof; FIG. 8 is an upper, right, rear perspective view thereof; FIG. 9 is a lower, right, rear perspective view thereof; and, FIG. 10 is a lower, left, front perspective view of the electrical connector.

In the drawings, the broken lines illustrate portions of the electrical connector that form no part of the claimed design.

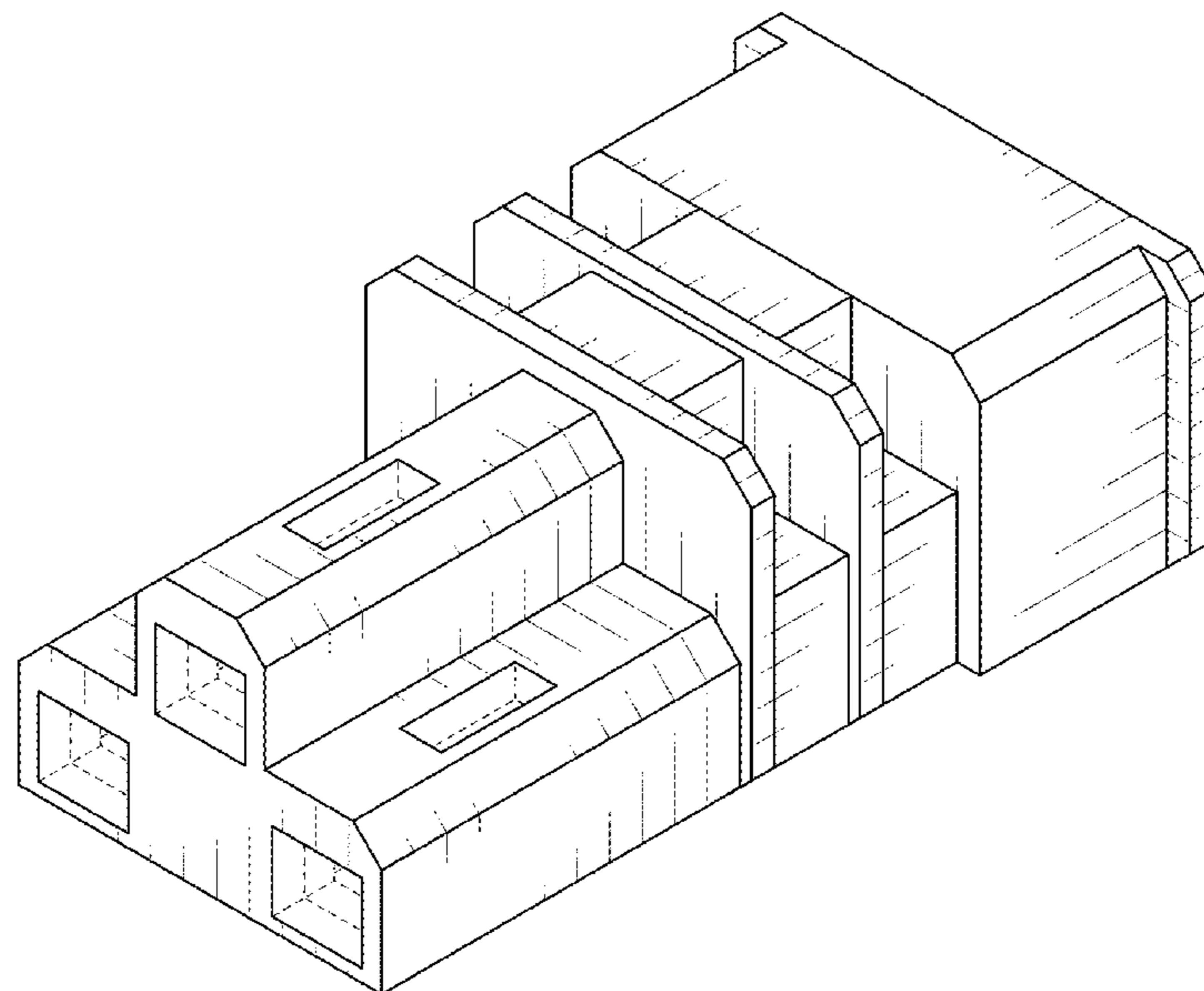
(56) **References Cited**

U.S. PATENT DOCUMENTS

2,121,338 A 6/1938 Chirelstein  
2,203,122 A 6/1940 Anderson  
D179,946 S 3/1957 Kerr  
2,838,739 A 6/1958 Winkler  
3,091,746 A 5/1963 Winkler  
3,145,067 A 8/1964 Mishelevich et al.

(Continued)

**1 Claim, 7 Drawing Sheets**



(56)

References Cited

U.S. PATENT DOCUMENTS

3,218,599 A 11/1965 Winkler  
 3,233,211 A 2/1966 Smith  
 3,259,870 A 7/1966 Winkler  
 3,794,957 A 2/1974 Winkler  
 4,018,497 A 4/1977 Bulanchuk  
 4,083,617 A 4/1978 Wyatt  
 D258,429 S 3/1981 Buckler  
 4,342,498 A 8/1982 Patton et al.  
 4,630,876 A 12/1986 Grunberg et al.  
 4,764,129 A \* 8/1988 Jones ..... H01R 13/642  
 439/680  
 4,846,729 A 7/1989 Hikami et al.  
 4,902,244 A \* 2/1990 Endo ..... H01R 13/465  
 235/494  
 4,990,099 A 2/1991 Marin et al.  
 D325,024 S \* 3/1992 Suzuki ..... D13/133  
 D326,642 S 6/1992 Lowe  
 5,123,071 A 6/1992 Mulholland et al.  
 5,169,336 A \* 12/1992 Taguchi ..... H01R 13/64  
 439/354  
 5,293,581 A 3/1994 DiMarco  
 D355,163 S \* 2/1995 Dolson ..... D13/146  
 5,533,915 A 7/1996 Deans  
 5,575,674 A 11/1996 Davis et al.  
 5,748,821 A 5/1998 Schempp et al.  
 D422,558 S \* 4/2000 Reiss ..... D13/133  
 D430,542 S 9/2000 Hoferitza et al.  
 6,240,228 B1 5/2001 Chen et al.  
 6,268,564 B1 7/2001 Miyakoshi  
 6,318,904 B1 11/2001 Reichle  
 D462,053 S \* 8/2002 Kuroda ..... D13/133  
 D467,553 S 12/2002 Cheng  
 6,488,546 B2 12/2002 Sakurai et al.  
 6,619,995 B1 9/2003 Hayashi et al.  
 6,619,996 B2 9/2003 Hara et al.  
 6,623,309 B2 9/2003 Sakurai et al.  
 6,645,003 B2 11/2003 Yoshida et al.  
 6,761,488 B2 7/2004 Weigel  
 D494,933 S 8/2004 Lu  
 7,004,795 B2 2/2006 Mancini et al.  
 D552,560 S 10/2007 Victor  
 7,325,980 B2 2/2008 Pepe  
 7,374,460 B1 5/2008 Hariharesan et al.  
 D573,536 S 7/2008 Hariharesan et al.  
 D574,772 S \* 8/2008 Sutter ..... D13/133  
 D576,557 S 9/2008 Hariharesan et al.  
 D577,671 S 9/2008 Schnitzler  
 D589,881 S 4/2009 Kok et al.  
 D629,753 S \* 12/2010 Chang ..... D13/147  
 D642,528 S 8/2011 Gravalin et al.  
 D659,640 S 5/2012 Tseng  
 D662,889 S 7/2012 Smith  
 D665,748 S 8/2012 Baker et al.  
 8,491,341 B2 7/2013 Bower et al.  
 D743,338 S 11/2015 Christensen et al.  
 D743,339 S 11/2015 Christensen et al.  
 D801,271 S 10/2017 Tanaka  
 D802,538 S \* 11/2017 Li ..... D13/147  
 10,027,146 B2 7/2018 Christensen et al.  
 D830,966 S 10/2018 Siminoff et al.  
 D836,549 S 12/2018 Kim  
 D837,734 S 1/2019 Vinciarelli et al.  
 D851,032 S 6/2019 Santos et al.  
 D860,131 S 9/2019 Siminoff et al.

D913,212 S 3/2021 Ouyang  
 11,309,724 B2 \* 4/2022 Jens Christensen .. H02J 7/0042  
 D987,572 S \* 5/2023 Koellmann ..... D13/133  
 2004/0121646 A1 \* 6/2004 Iamartino ..... H01R 13/562  
 439/445  
 2008/0194147 A1 \* 8/2008 Wu ..... H01R 13/64  
 439/620.21  
 2009/0311919 A1 12/2009 Smith et al.  
 2011/0003512 A1 1/2011 Bower et al.  
 2015/0126075 A1 \* 5/2015 Chen ..... H01R 13/642  
 439/678  
 2018/0102599 A1 4/2018 Onoda et al.  
 2018/0261944 A1 9/2018 Papageorge et al.  
 2020/0243997 A1 7/2020 Horning et al.

FOREIGN PATENT DOCUMENTS

EM 002618553-0008 \* 3/2015  
 EM 015013355-0027 \* 3/2023  
 EM 015013355-0028 \* 3/2023  
 EM 015013355-0030 \* 3/2023  
 EM 015013355-0039 \* 3/2023  
 EP 0318831 A2 6/1989  
 FR 1036107 9/1953  
 GB 6265739 \* 3/2023

OTHER PUBLICATIONS

Traxxas 2S Lipo 750 mAh 20C Battery, Posted Date Aug. 24, 2023 [Online] [Retrieved Oct. 10, 2024] Retrieved From Internet <https://www.amazon.com/Traxxas-Lipo-750-Battery-TRA2821/dp/B0BW995MZ9/> (Year: 2023).  
 Clarke, Brooke; "Power Pole"; web page article; Brooke, Clarke, Ukiah CA, U.S.A., 2003-2006.  
 Anderson Power Products; "PP15 Powerpole Connector" data sheet; Anderson Power Products, Sterling, MA, U.S.A.  
 Anderson Power Products; "SB Connector Family" data sheet; Anderson Power Products, Sterling, MA, U.S.A.  
 Anderson Power Products; "SB 50 Connector" data sheet; Anderson Power Products, Sterling, MA, U.S.A.  
 Anderson Power Products; "SBS 50 Connector" data sheet; Anderson Power Products, Sterling, MA, U.S.A.  
 Horizon Hobby; "E-flite EC3 Device & Battery Connector, Male-Female" web page; Horizon Hobby, Inc., Champaign, IL, U.S.A. 2006.  
 Tyco Electronics, "Hot Plug, High Current Dual Crown Clip Socket Connector" Elcon Products International Co., Fremont, CA U.S.A 2000-2001.  
 McMaster-Carr; "Quick-Disconnect Terminals" catalog p. 724; McMaster-Carr Supply Co.  
 Molex; "Standard .093" web pages; Molex, Lisle IL U.S.A.  
 Hyperphysics; "Household Wiring—Polarized Receptables" web page article; <http://hyperphysics.phy-astr.gsu.edu/hbase/electric/hsehd.html>.  
 Traxxas; "REVO transmission" illustration (1 page); Traxxas LP, Plano TX U.S.A.  
 Deans; "Ultra Plug" photographs (3 pages); Wm. F. Deans, Paramount CA U.S.A.  
 Molex; "Standard .093" connector photographs (7 pages); Molex, Lisle IL U.S.A.  
 "Standard 110V electrical plugs and receptacles" photographs (5 pages).

\* cited by examiner

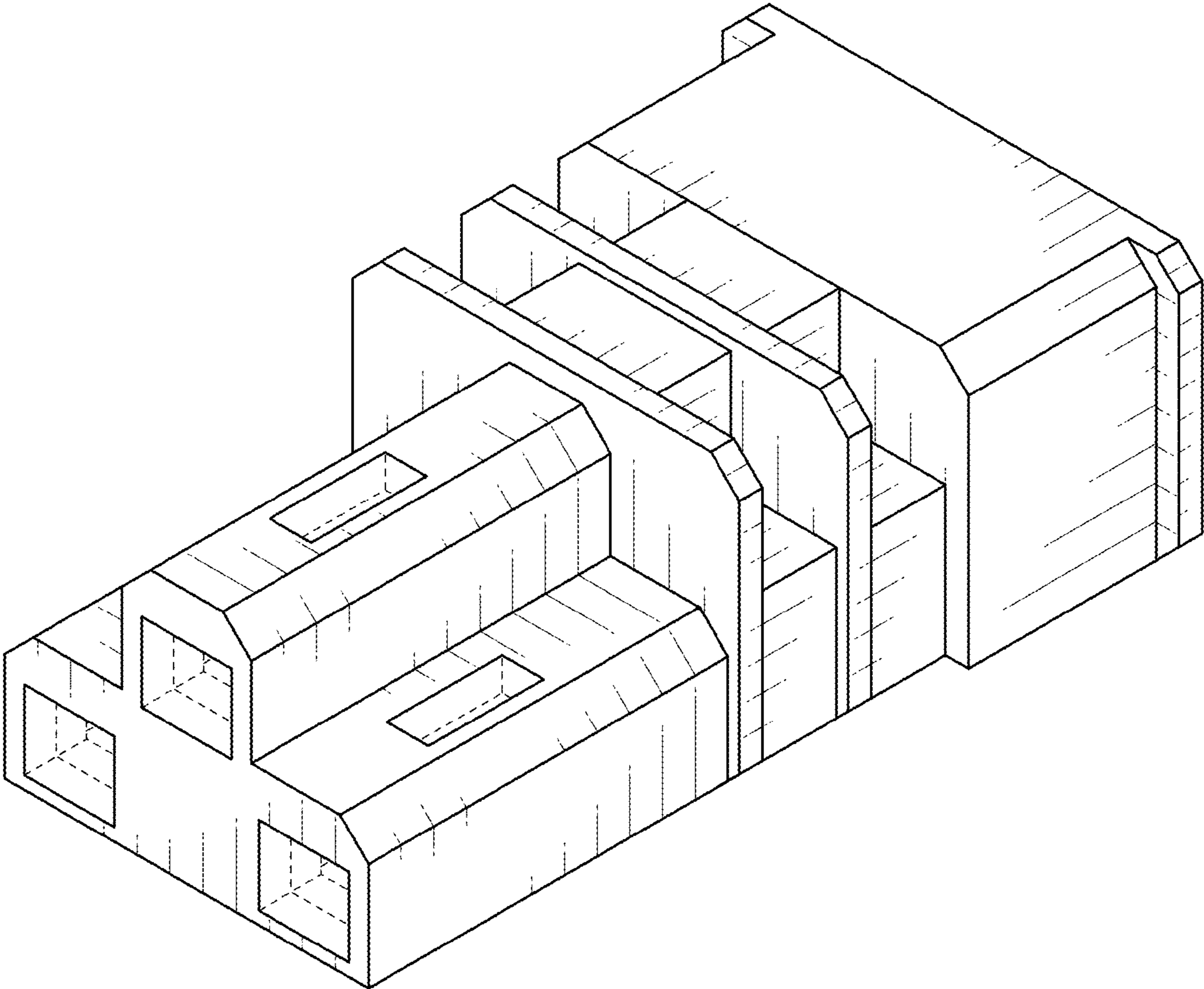


FIG. 1

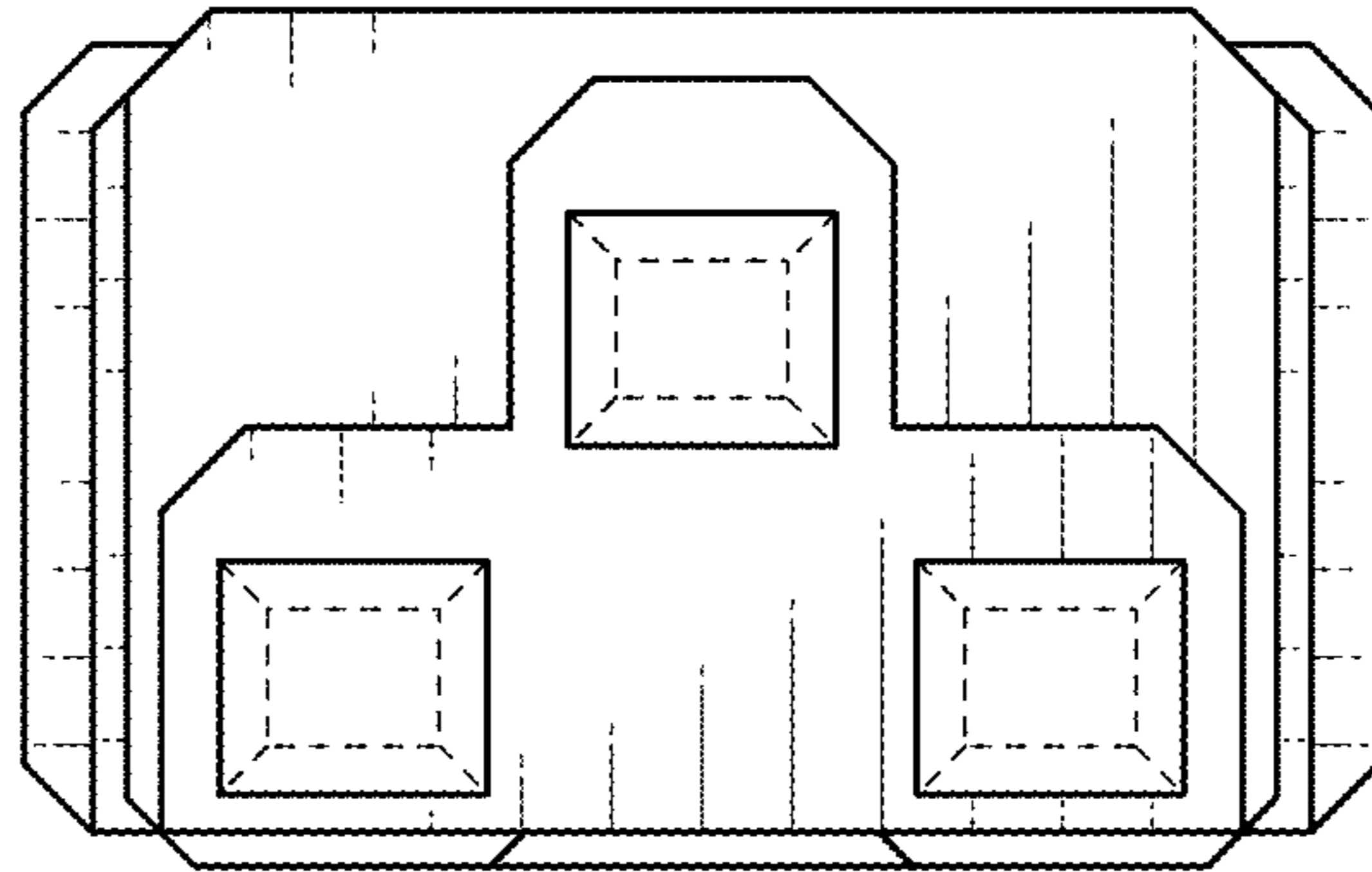


FIG. 2

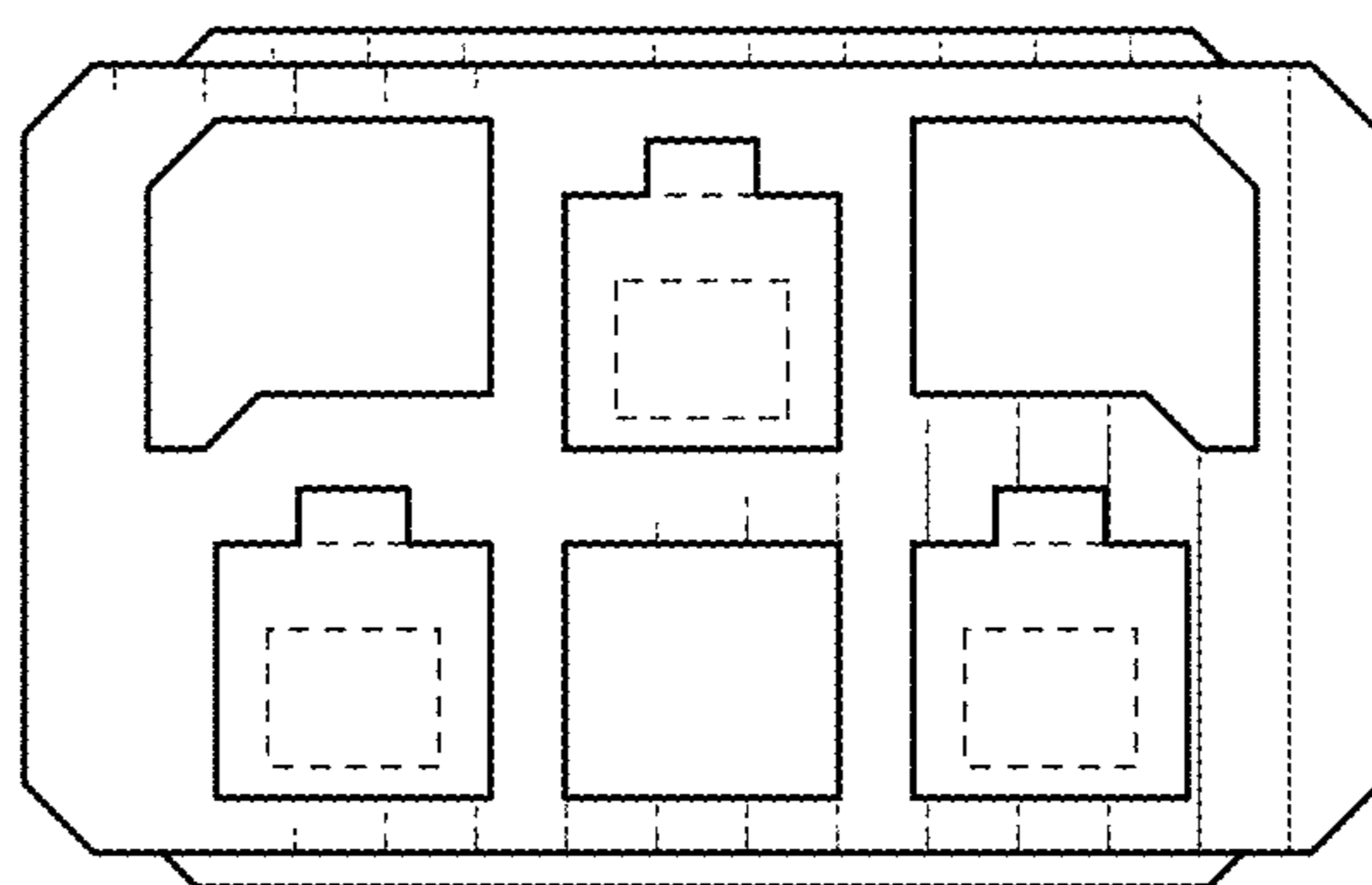


FIG. 3

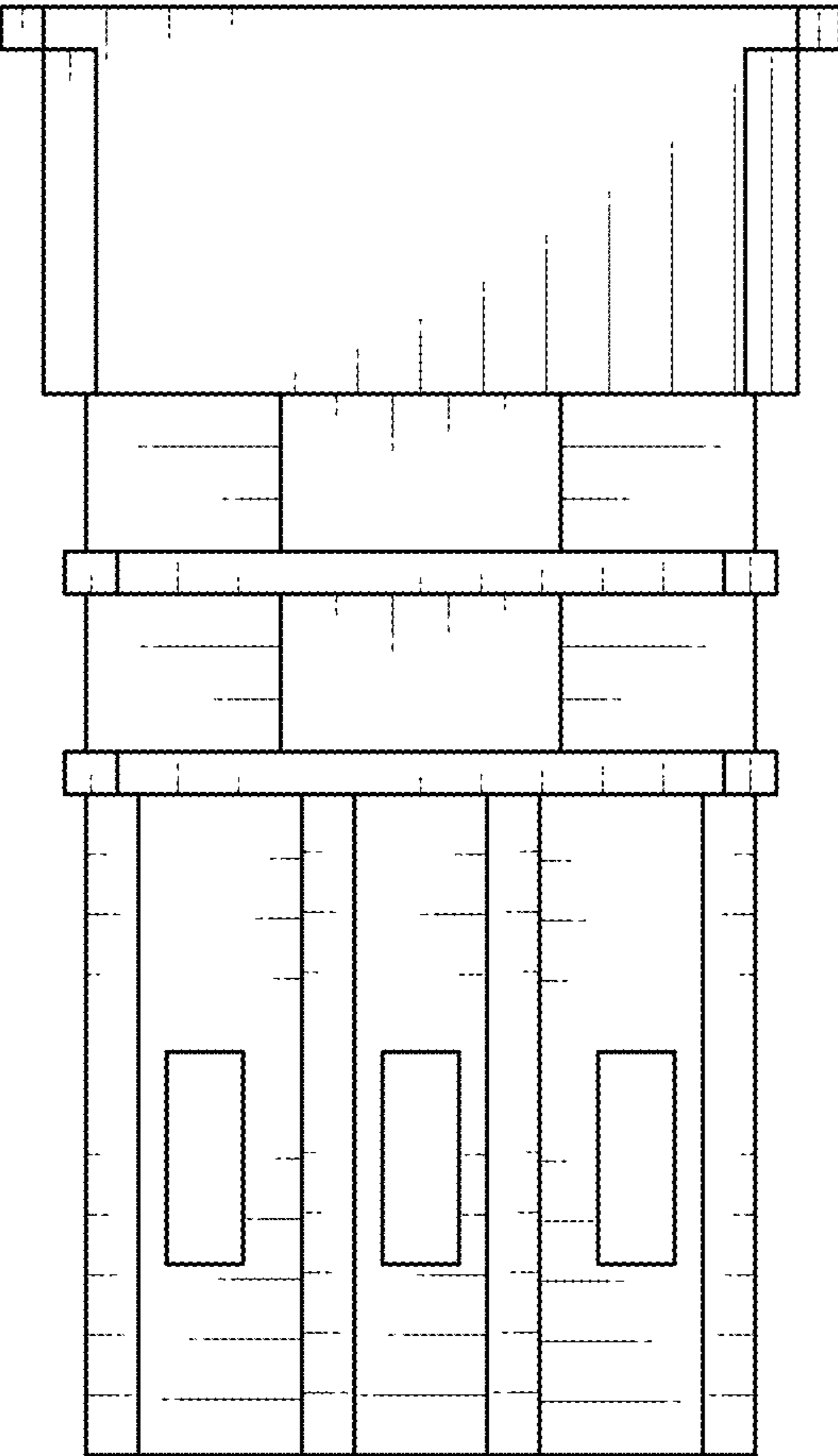


FIG. 4

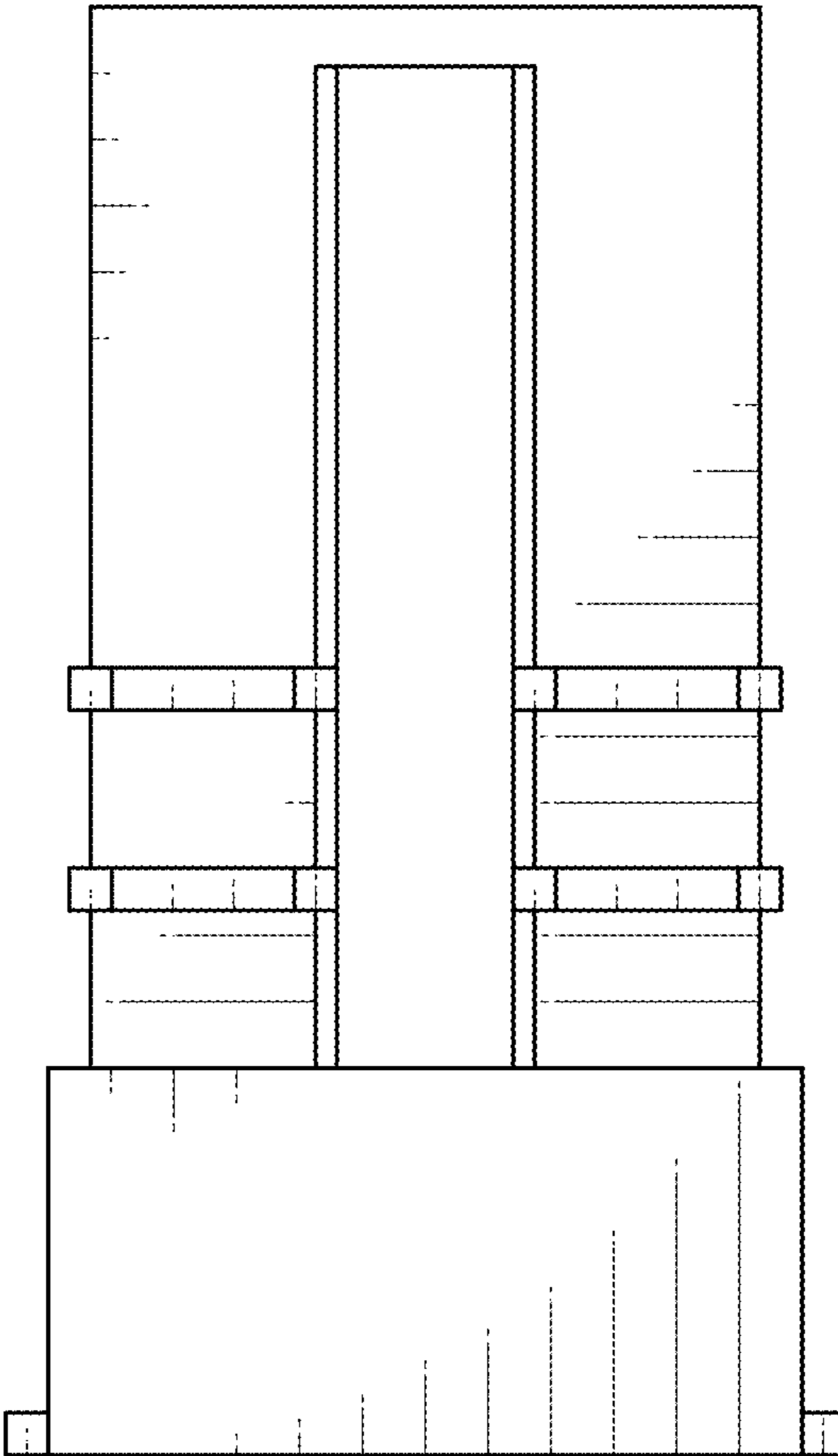


FIG. 5

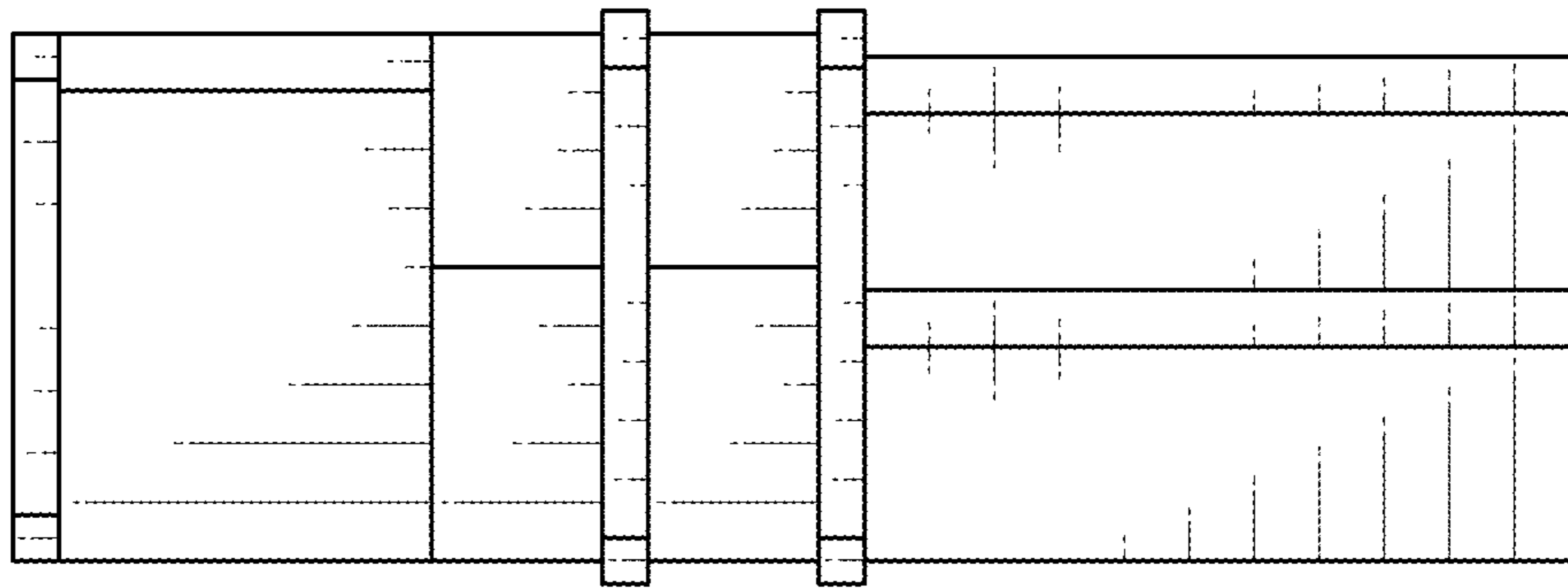


FIG. 6

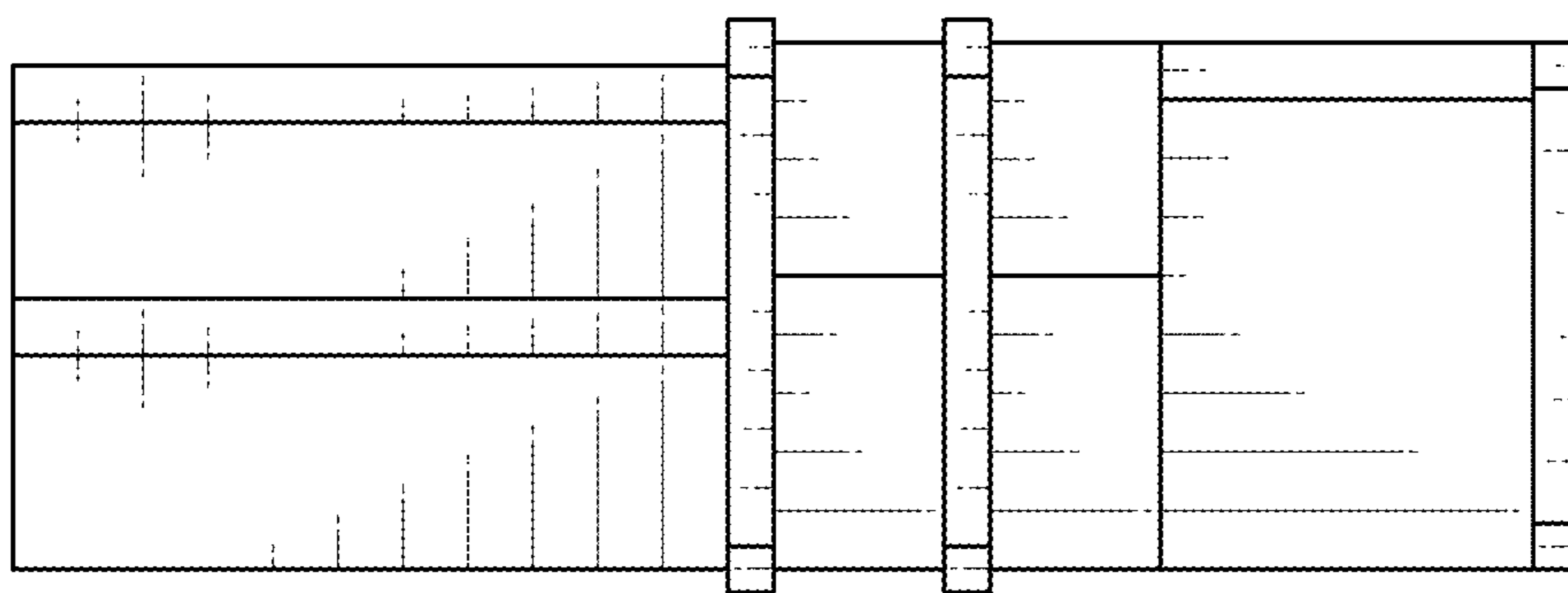


FIG. 7

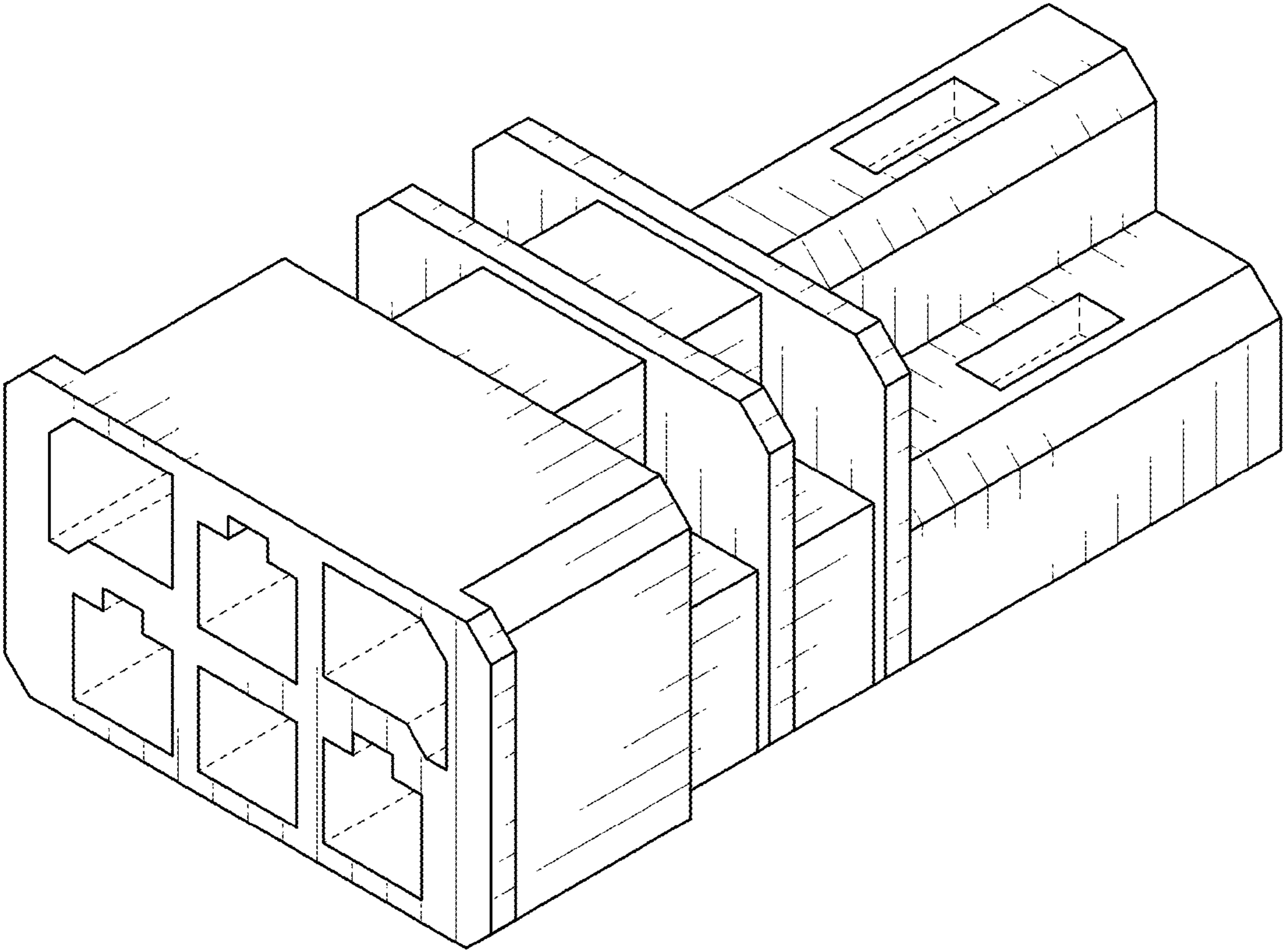


FIG. 8

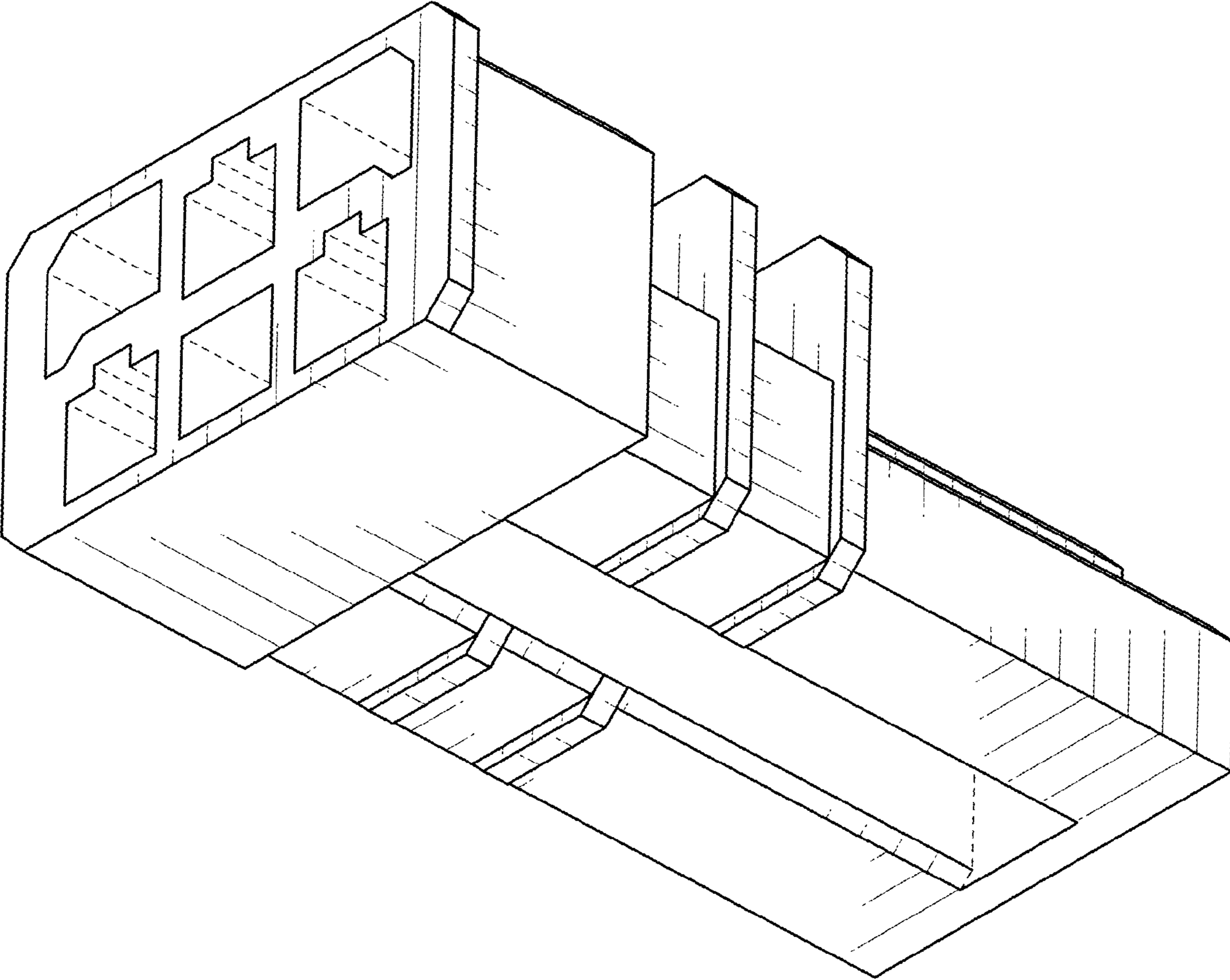


FIG. 9



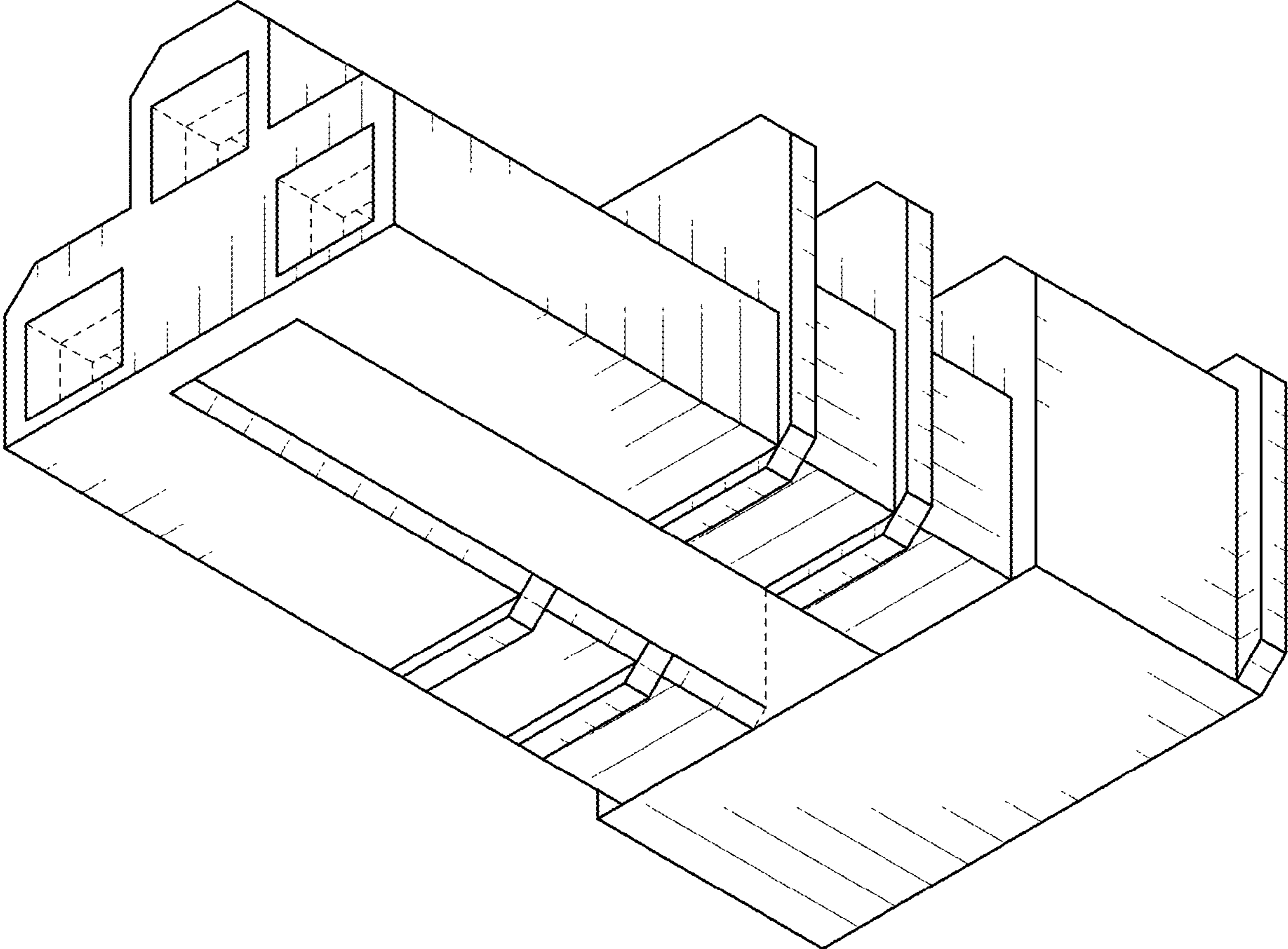


FIG. 10