



US0D1054332S

(12) **United States Design Patent** (10) **Patent No.:** **US D1,054,332 S**  
**Kope** (45) **Date of Patent:** **\*\* Dec. 17, 2024**

(54) **TOW DOLLY MOUNT APPARATUS**

(71) Applicant: **Paul E. Kope**, Camden, DE (US)

(72) Inventor: **Paul E. Kope**, Camden, DE (US)

(\*\*) Term: **15 Years**

(21) Appl. No.: **29/871,743**

(22) Filed: **Feb. 27, 2023**

(51) **LOC (14) Cl.** ..... **12-16**

(52) **U.S. Cl.**  
USPC ..... **D12/162**

(58) **Field of Classification Search**  
USPC ..... D12/162, 101, 102, 103, 104, 105, 106,  
D12/413, 420, 172; D21/599, 561, 552,  
D21/548; D8/330, 331, 323; D13/139.5,  
D13/133, 149, 154  
CPC ..... B60P 1/44; B60D 1/60  
See application file for complete search history.

(56) **References Cited**

**U.S. PATENT DOCUMENTS**

3,613,921	A *	10/1971	Ryden	.....	B60P 3/127 414/537
4,258,967	A	3/1981	Boudreau		
5,209,628	A *	5/1993	Hassell	.....	B60P 1/4442 224/403
5,346,357	A	9/1994	Hassell		
7,661,777	B2	2/2010	Ceccarelli		
D875,620	S *	2/2020	Watson	.....	D12/162
D876,290	S *	2/2020	Kirkland	.....	D12/162
2002/0050502	A1 *	5/2002	Jeong	.....	B60R 9/06 224/532
2004/0130247	A1	7/2004	Model		
2005/0017470	A1 *	1/2005	Abbott	.....	B60P 3/127 280/79.4
2007/0029756	A1 *	2/2007	Quarerg	.....	B60D 1/143 280/447

**FOREIGN PATENT DOCUMENTS**

EP 0741071 B1 6/1996

**OTHER PUBLICATIONS**

“Hecasa Motorcycle Trailer Carrier Tow Hitch Rack Motorcycle Carrier Black” amazon.com, post Published Apr. 10, 2022. Retrieved Apr. 15, 2024. Available online at URL:https://www.amazon.com/HECASA-Motorcycle-Trailer-Carrier-Hitch/dp/B09XMLC3RF/ref=sr\_1\_5?crd=6435MLXNLOS&dib=eyJ2ljojMSJ9. (Year: 2022).\*  
“Zip’s Lift Assist Dolly Mount” zips.com, post Published: Unavailable. Retrieved Apr. 15, 2024. Available online at URL:https://zips.com/parts-detail/zip’s-lift-assist-dolly-mount-zp-dm-sl?gad\_source=1&gclid=EAlalQobChMI3ODv-onFhQMVglxHAR38VAbOEQAQYBSABE (Year: 2024).\*

\* cited by examiner

*Primary Examiner* — Christian P. Mclean  
*Assistant Examiner* — Jessica Lynn Devilbiss

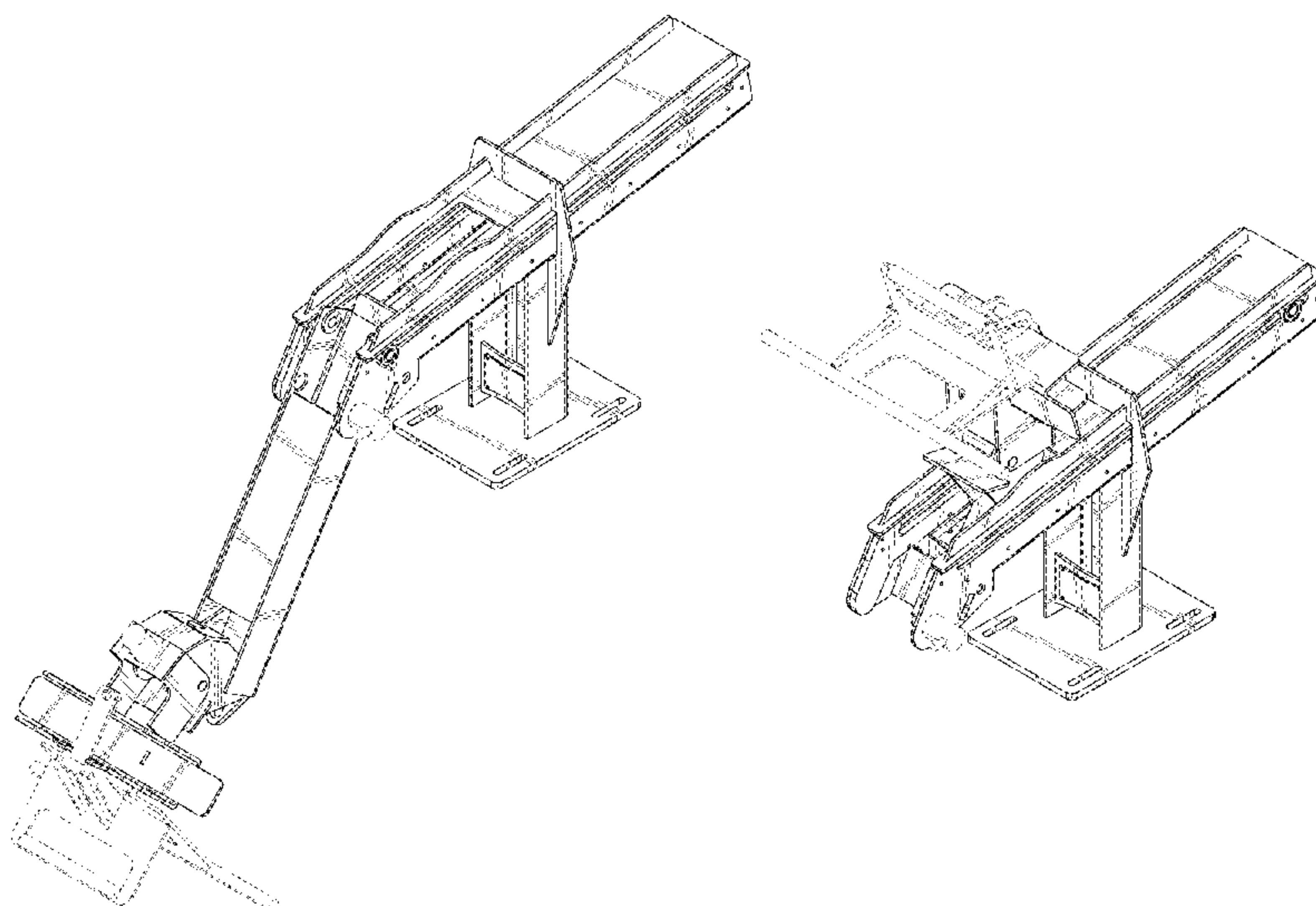
(57) **CLAIM**

The ornamental design for a tow dolly mount apparatus, as shown and described.

**DESCRIPTION**

FIG. 1 is a top front perspective view of a tow dolly mount apparatus in the unloading position showing my new design; FIG. 2 is a bottom rear perspective view thereof; FIG. 3 is a top view thereof; FIG. 4 is a bottom view thereof; FIG. 5 is a front view thereof; FIG. 6 is a rear view thereof; FIG. 7 is a right view thereof; FIG. 8 is a left view thereof; FIG. 9 is a top front perspective view of a tow dolly mount apparatus in the storage position; and, FIG. 10 is a bottom rear perspective view of a tow dolly mount apparatus in the storage position. The broken lines illustrate portions of the tow dolly mount apparatus that form no part of the claimed design.

**1 Claim, 10 Drawing Sheets**



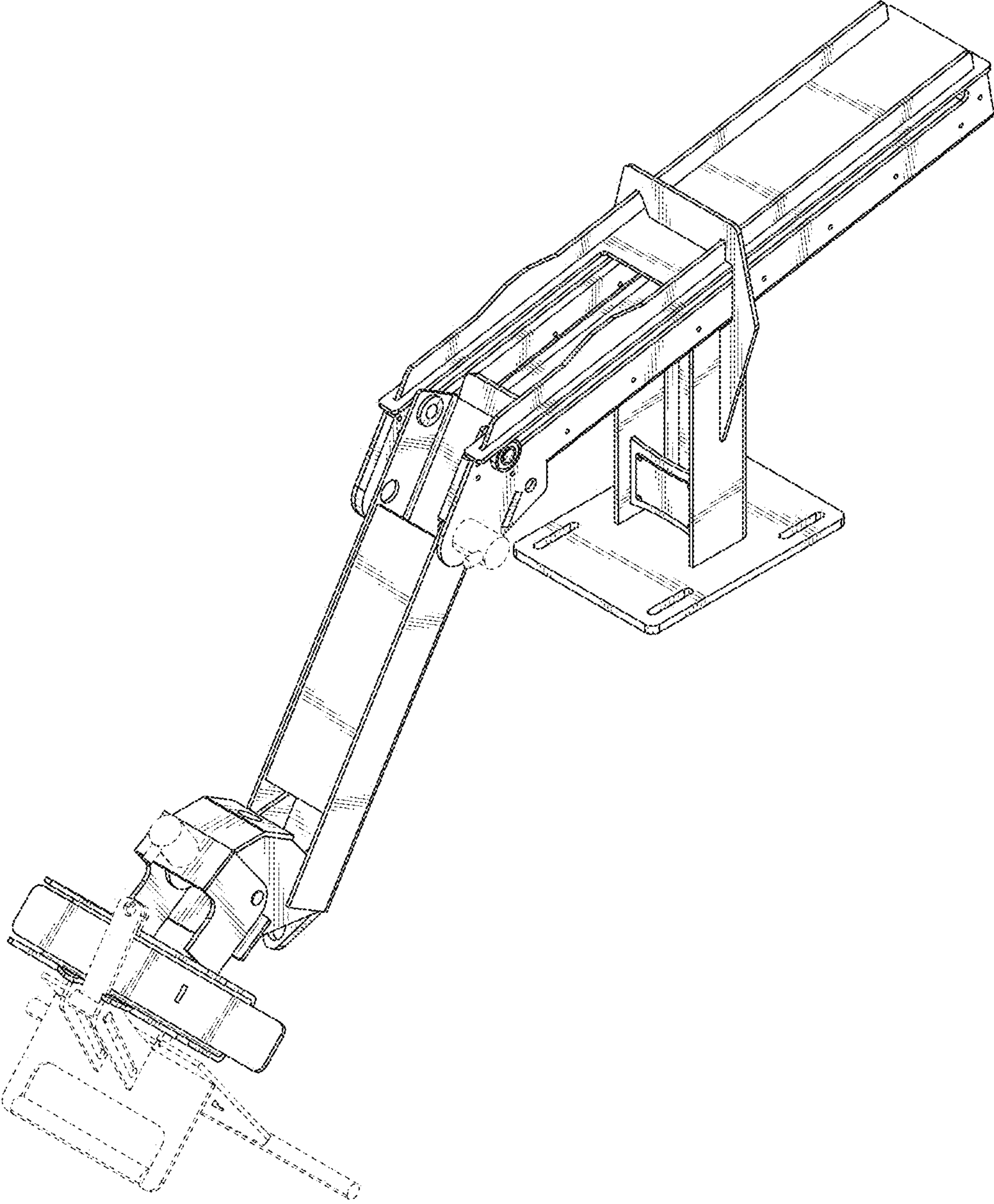


FIG. 1

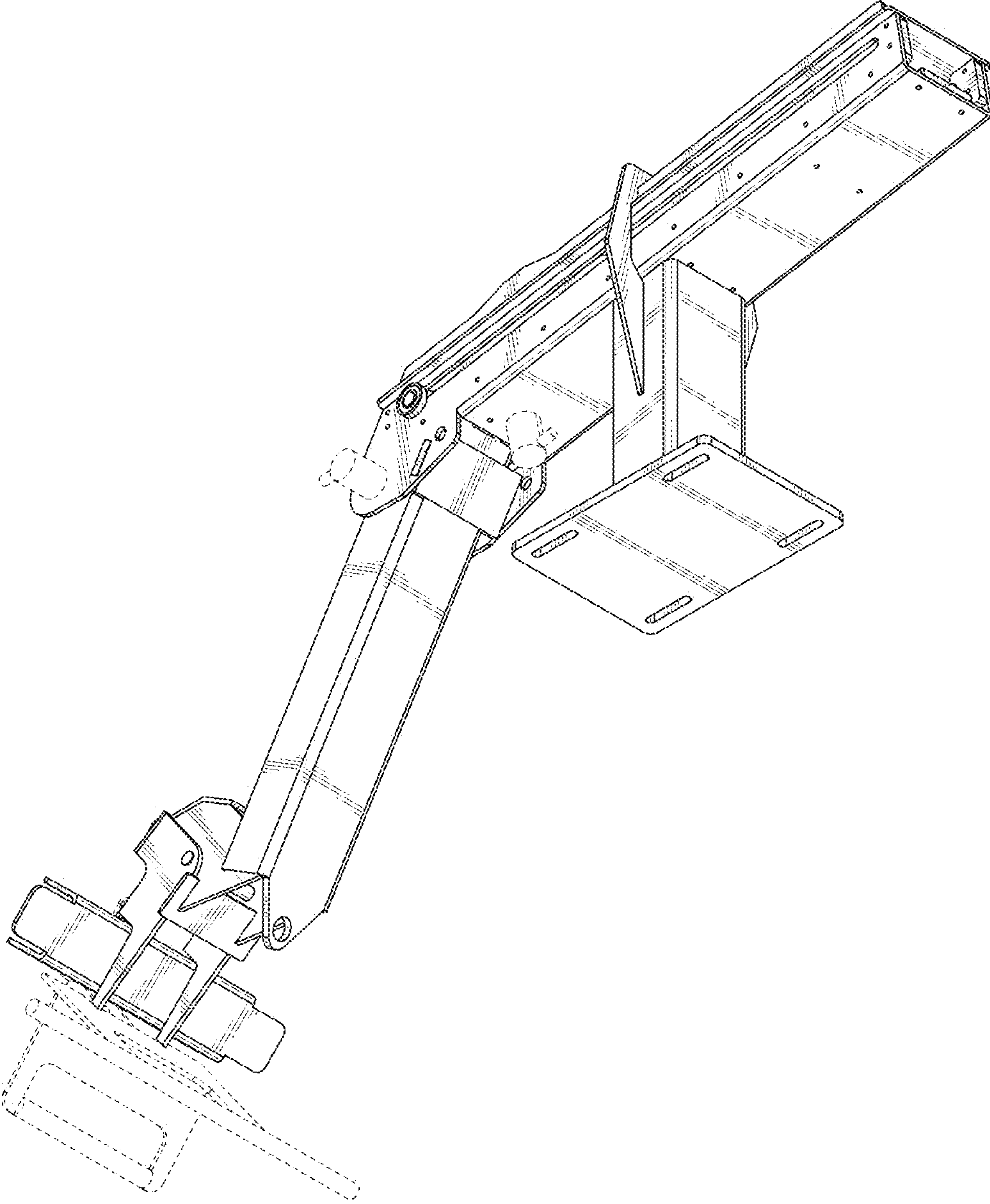


FIG. 2



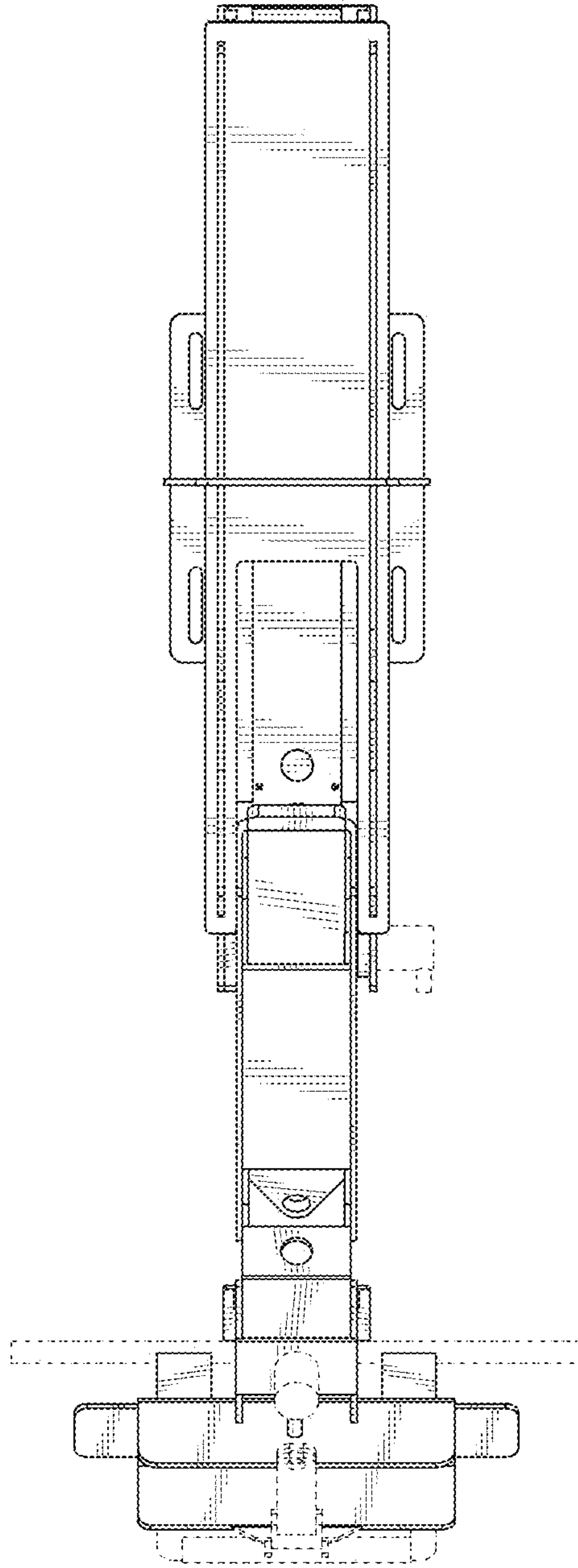


FIG. 3

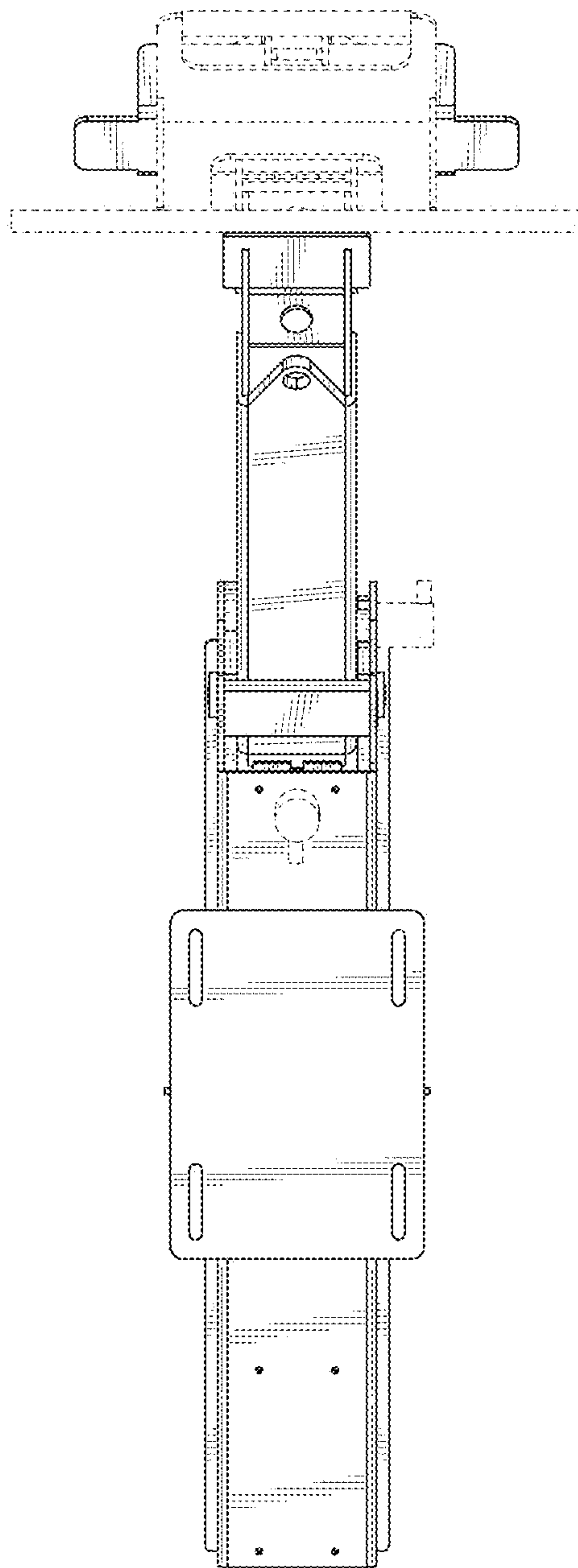


FIG. 4

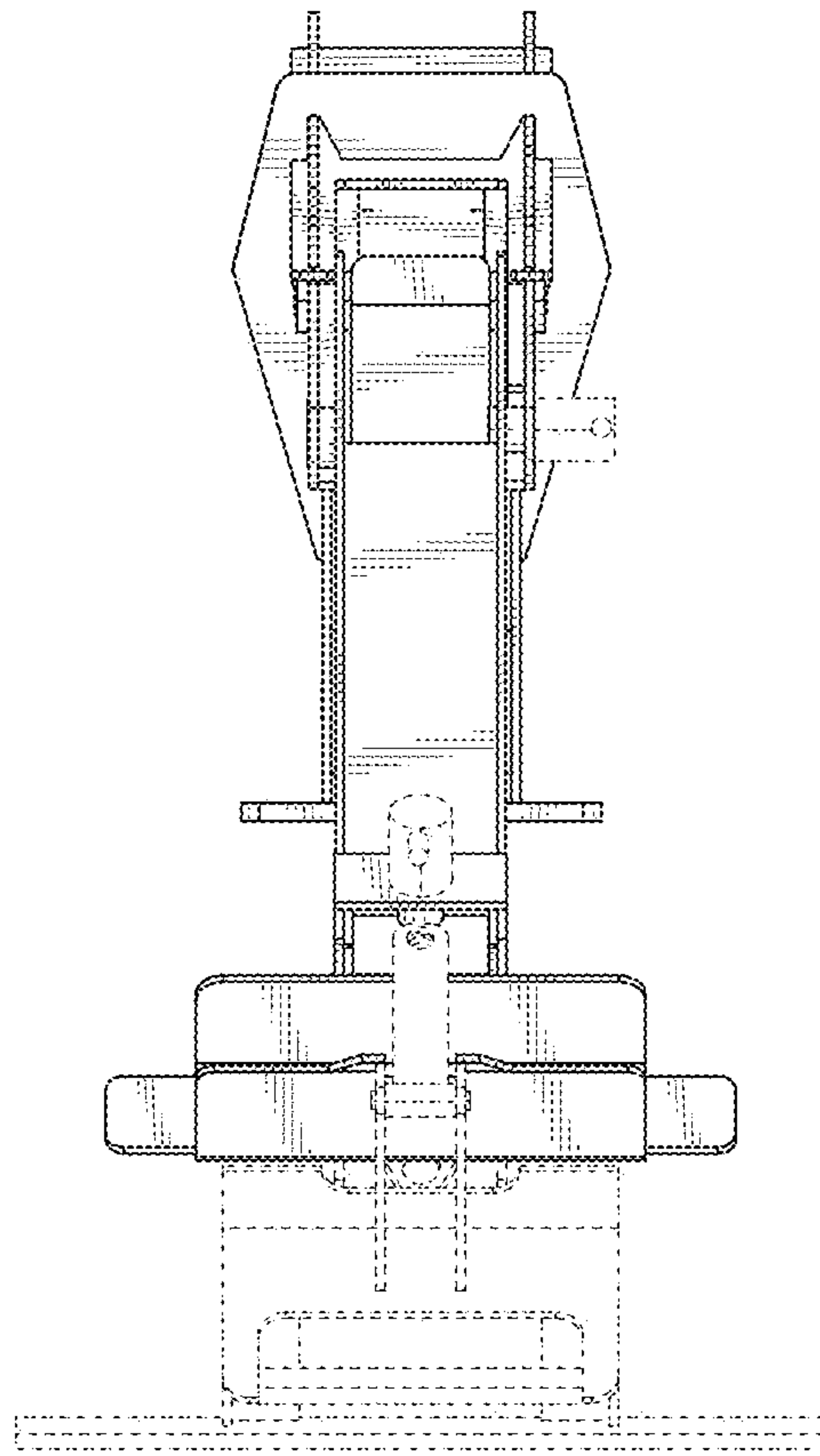


FIG. 5

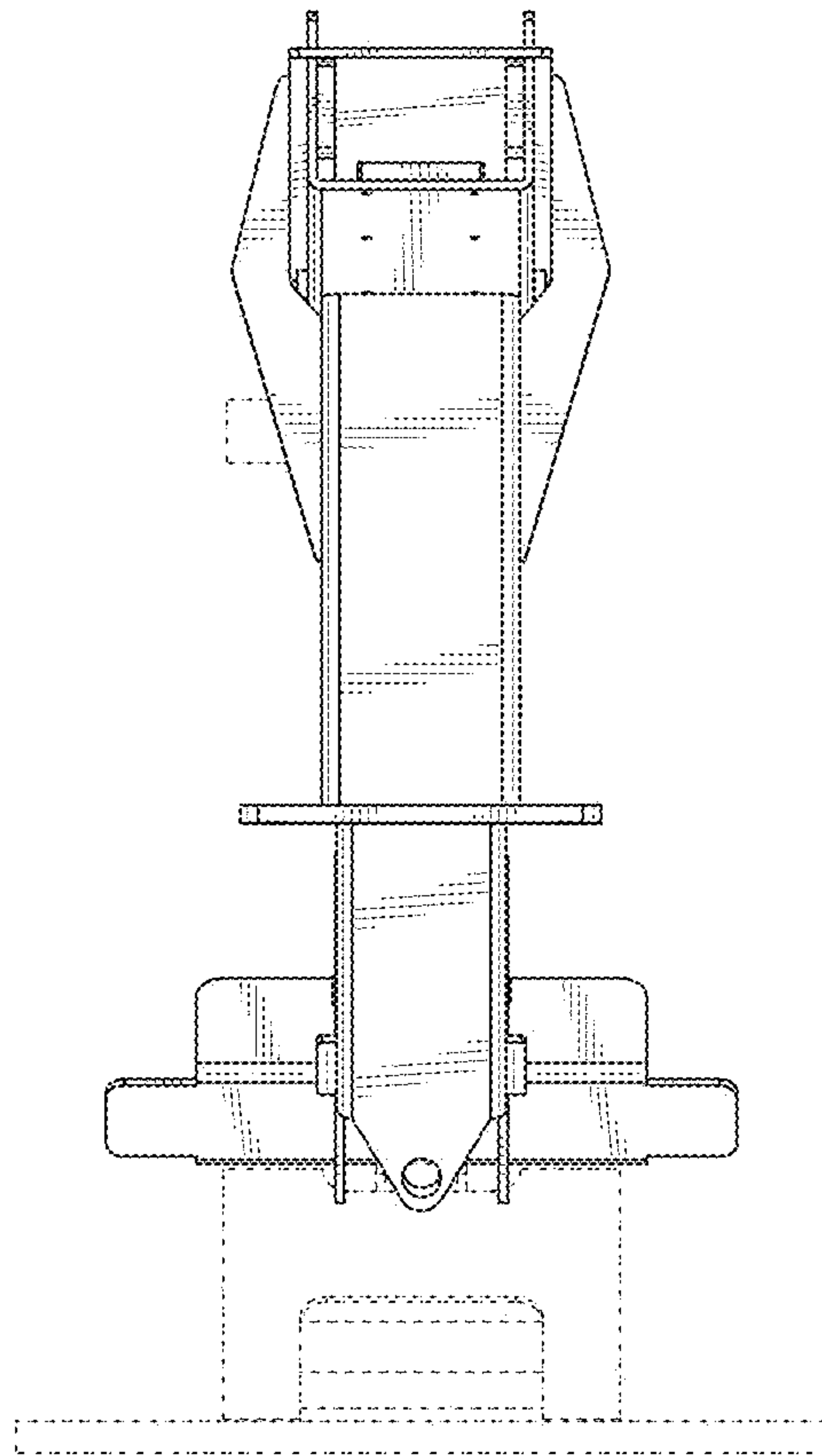


FIG. 6

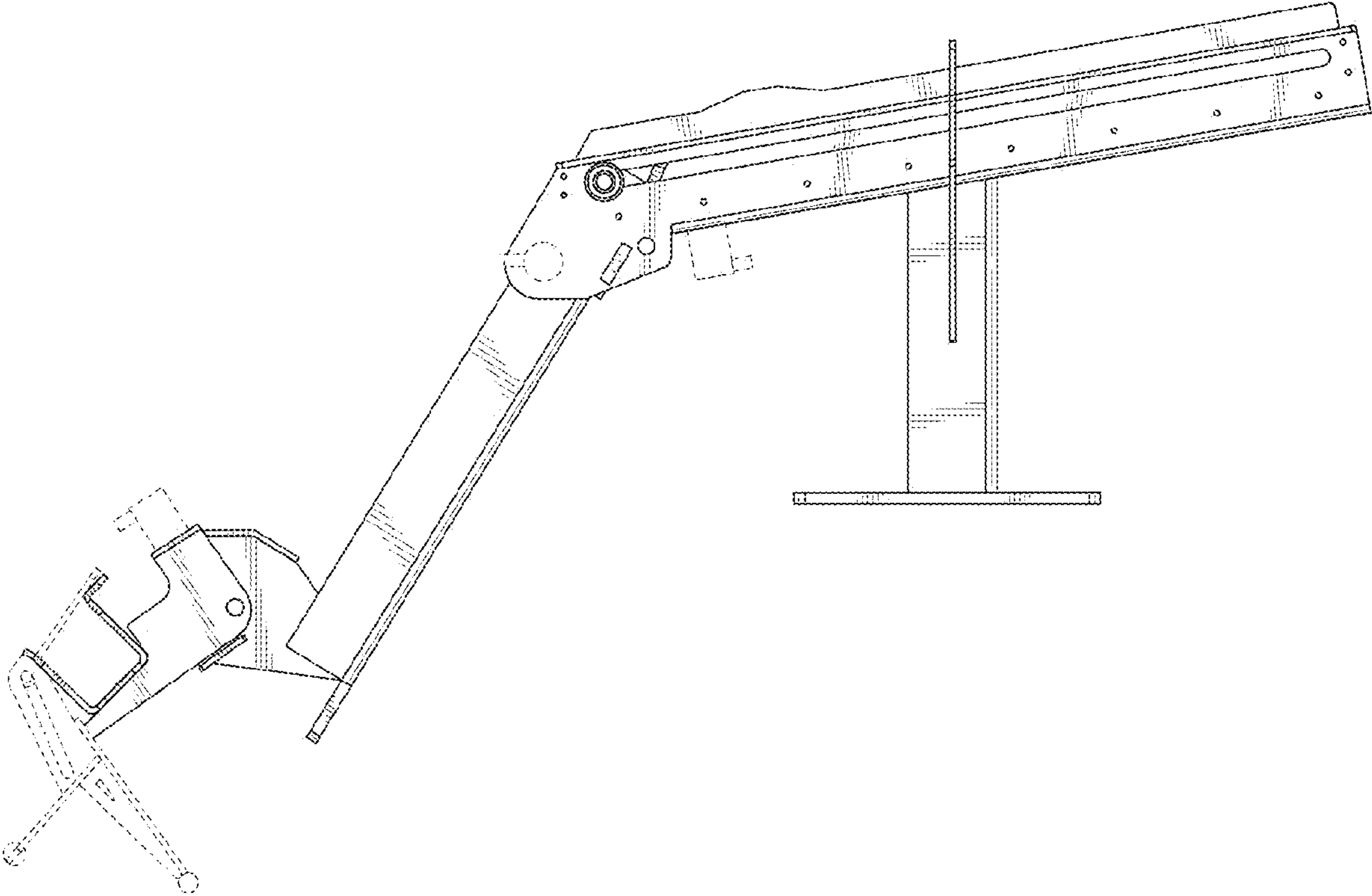


FIG. 7



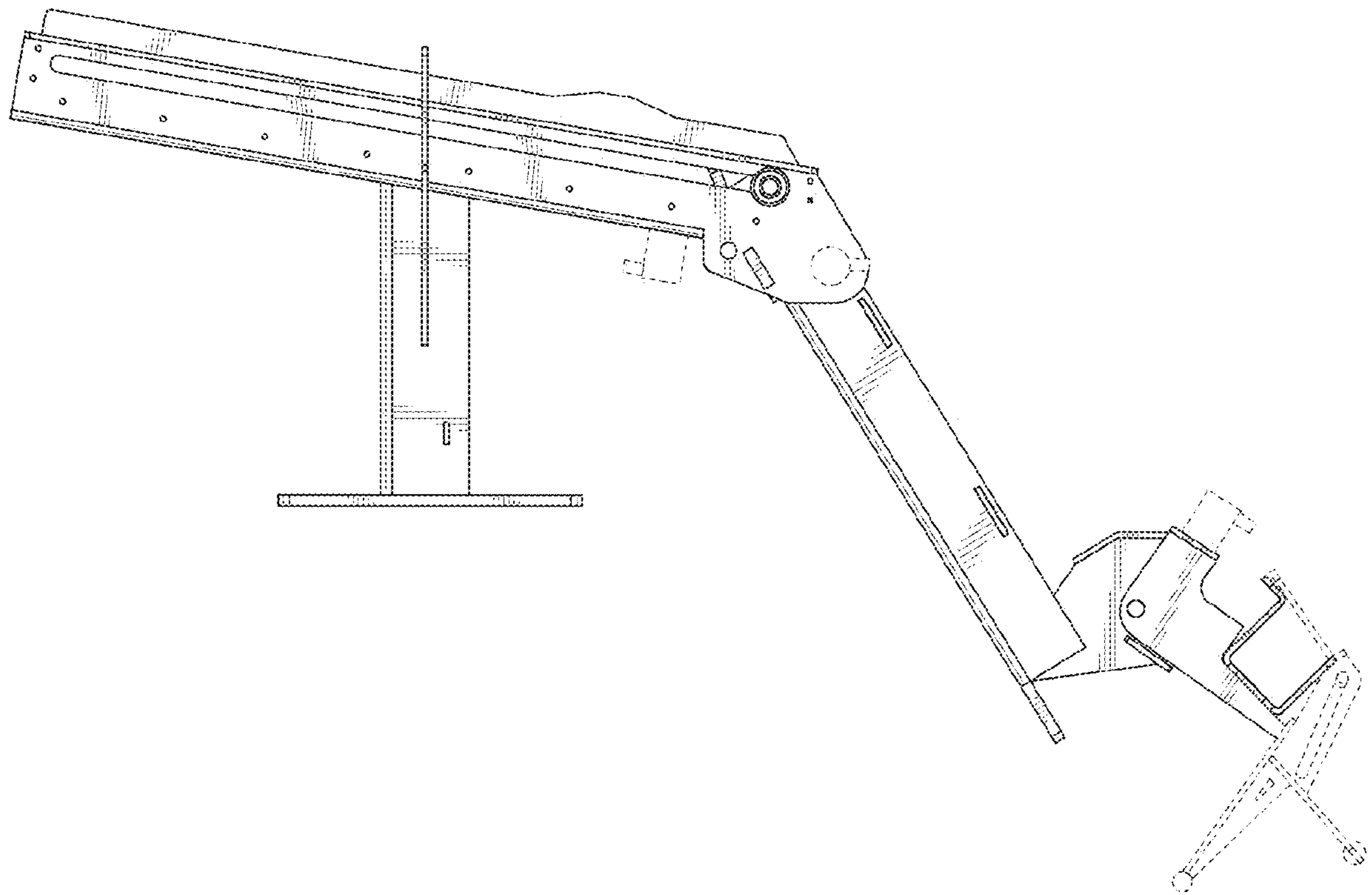


FIG. 8

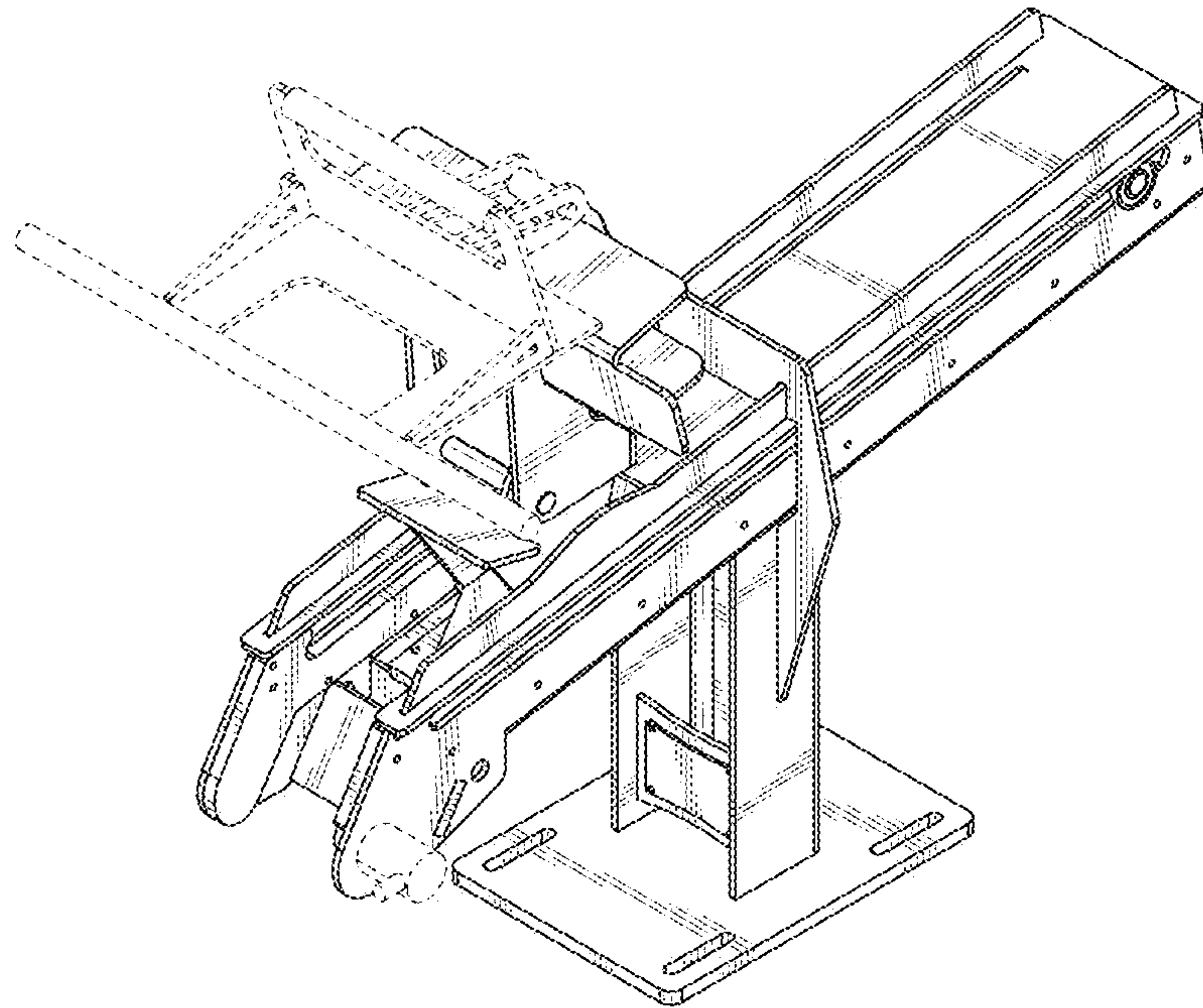


FIG. 9

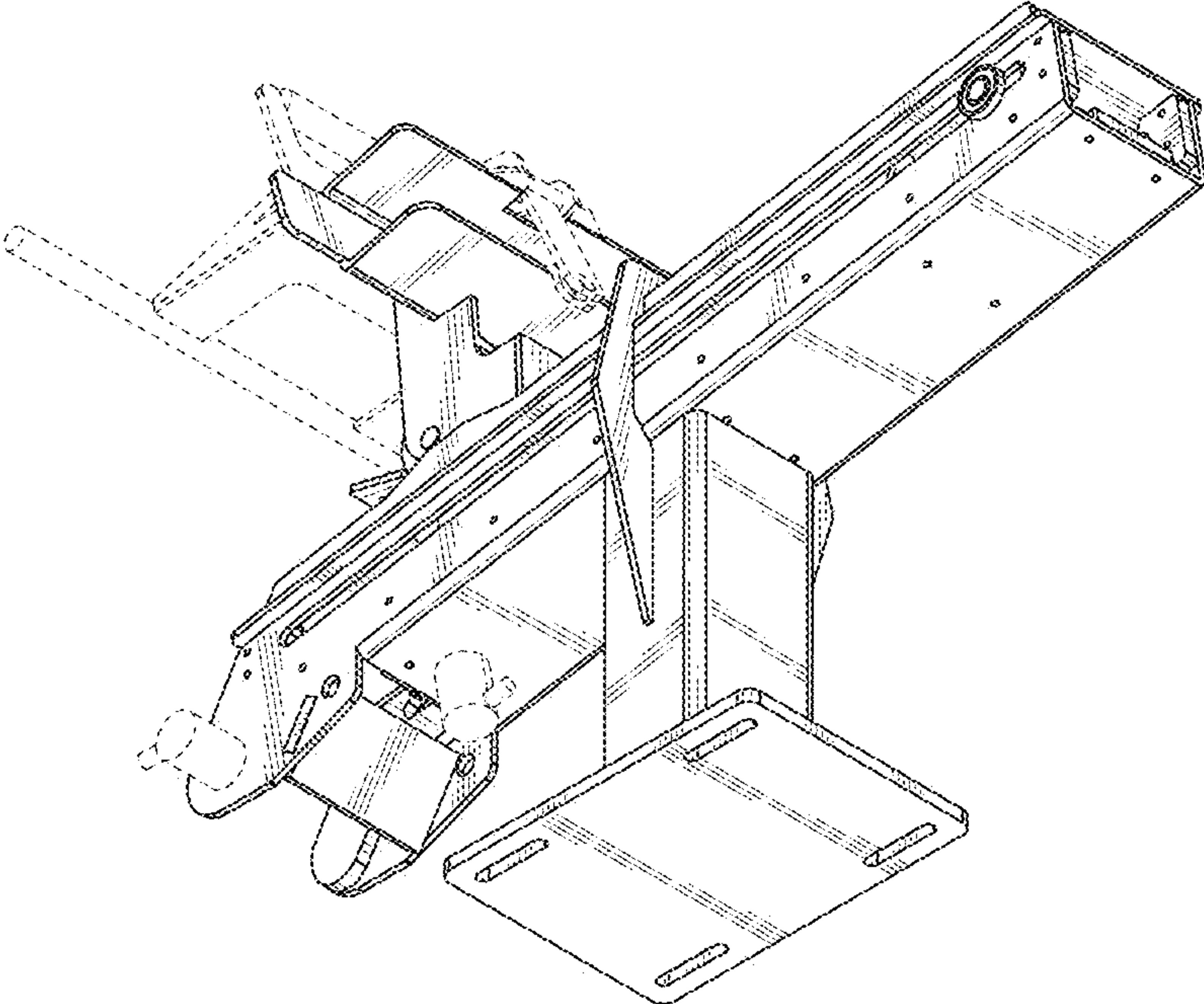


FIG. 10