



US0D1054144S

(12) **United States Design Patent** (10) **Patent No.:** **US D1,054,144 S**  
**Flowers** (45) **Date of Patent:** **\*\* Dec. 10, 2024**

(54) **FOOTBALL HELMET CART**

5,377,849 A 1/1995 Martin  
D530,876 S \* 10/2006 Wyse ..... D34/17  
D625,894 S \* 10/2010 Armer ..... D34/21

(71) Applicant: **TNT Sports Equipment LLC,**  
Mitchell, SD (US)

(72) Inventor: **Thomas Dean Flowers,** Mitchell, SD  
(US)

(73) Assignee: **TNT Sports Equipment LLC,**  
Mitchell, SD (US)

(\*\*) Term: **15 Years**

(21) Appl. No.: **29/866,113**

(22) Filed: **Aug. 29, 2022**

(51) **LOC (14) Cl.** ..... **12-02**

(52) **U.S. Cl.**  
USPC ..... **D34/17**

(58) **Field of Classification Search**  
USPC ..... D34/12, 14, 16, 17, 21, 22, 23, 24, 27,  
D34/28, 35; D6/552, 675  
CPC ..... A63B 71/0036; A63B 60/56; A47G 25/10  
See application file for complete search history.

(56) **References Cited**

**U.S. PATENT DOCUMENTS**

2,609,935 A 9/1952 Cyril  
4,227,710 A 10/1980 Laub  
D295,097 S \* 4/1988 Cohn ..... D34/21  
D313,903 S \* 1/1991 Humble ..... D6/675  
5,002,190 A 3/1991 Moreland  
5,295,588 A 3/1994 Neirinckx

**OTHER PUBLICATIONS**

Football Helmet Rack Cart 40, 60, 80 Holder, retrieved from the Internet, retrieved on Aug. 29, 2022; <URL: <https://football.epicsports.com/prod/23984/index.html>>.  
StackMaster Helmet Rack, retrieved from the Internet, retrieved on Aug. 29, 2022; <URL: <https://discountplaygroundsupply.com/stackmasterhelmet-rack/>>.

\* cited by examiner

*Primary Examiner* — Cynthia Ramirez  
*Assistant Examiner* — Tamara L Hahn

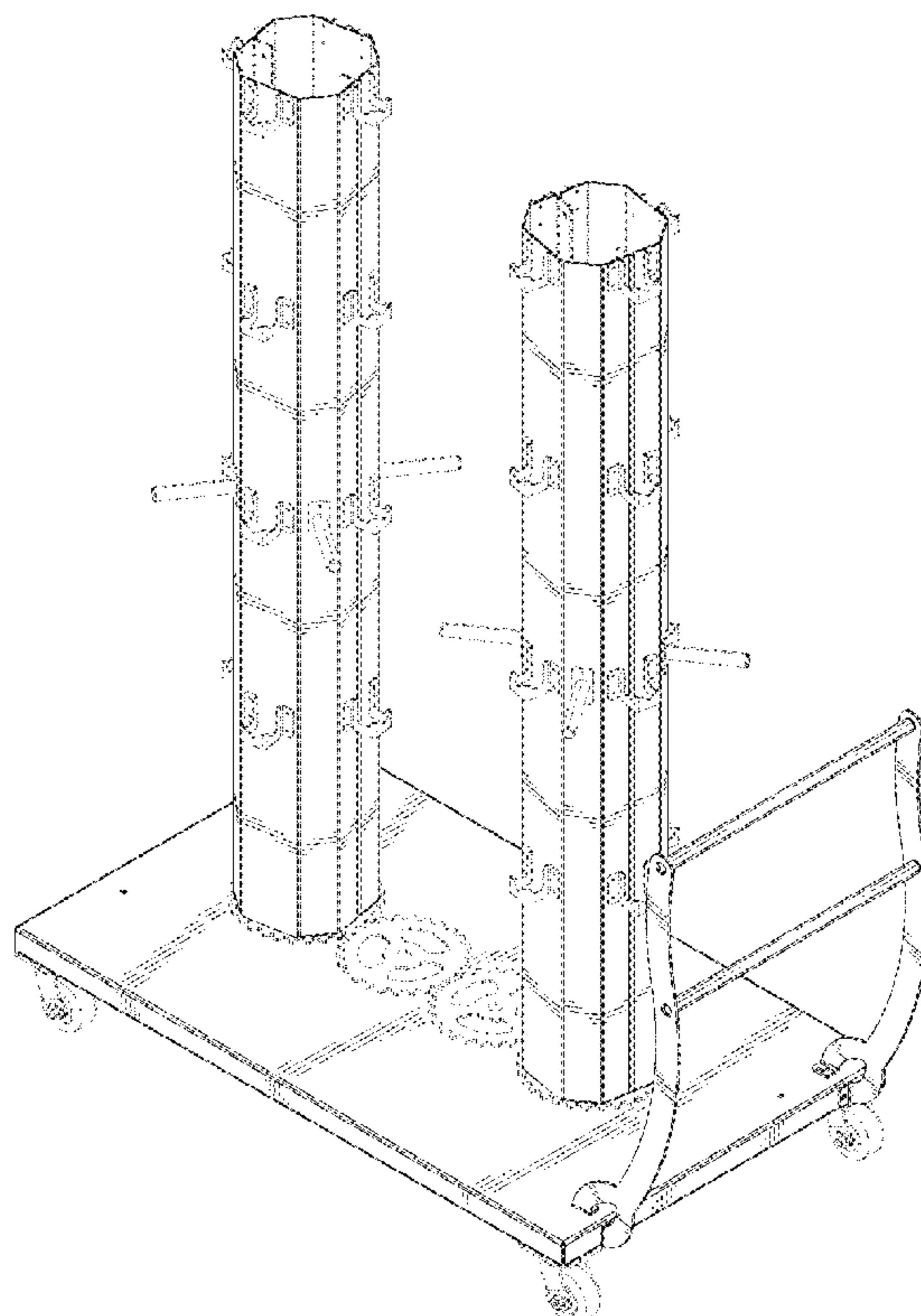
(57) **CLAIM**

The ornamental design for a football helmet cart, as shown and described.

**DESCRIPTION**

FIG. 1 is a front-top perspective view of a football helmet cart showing my new design;  
FIG. 2 is a front-bottom perspective view thereof;  
FIG. 3 is a front elevational view thereof;  
FIG. 4 is a rear elevational view thereof;  
FIG. 5 is a left elevational view thereof;  
FIG. 6 is a right elevational view thereof;  
FIG. 7 is a top plan view thereof; and,  
FIG. 8 is a bottom plan view thereof.  
The broken lines in the drawings illustrate portions of the football helmet cart which form no part of the claimed design.

**1 Claim, 8 Drawing Sheets**



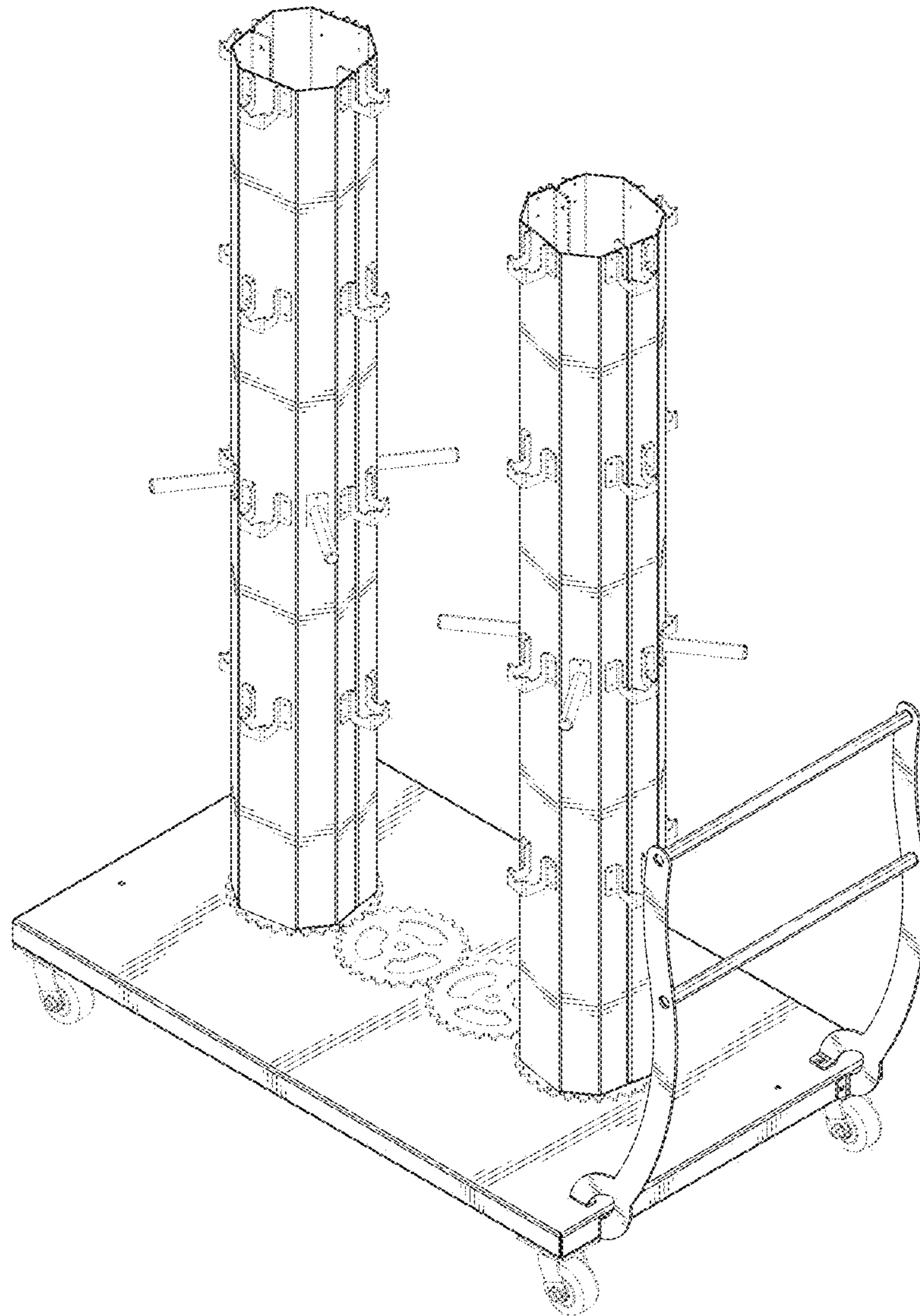


FIG. 1

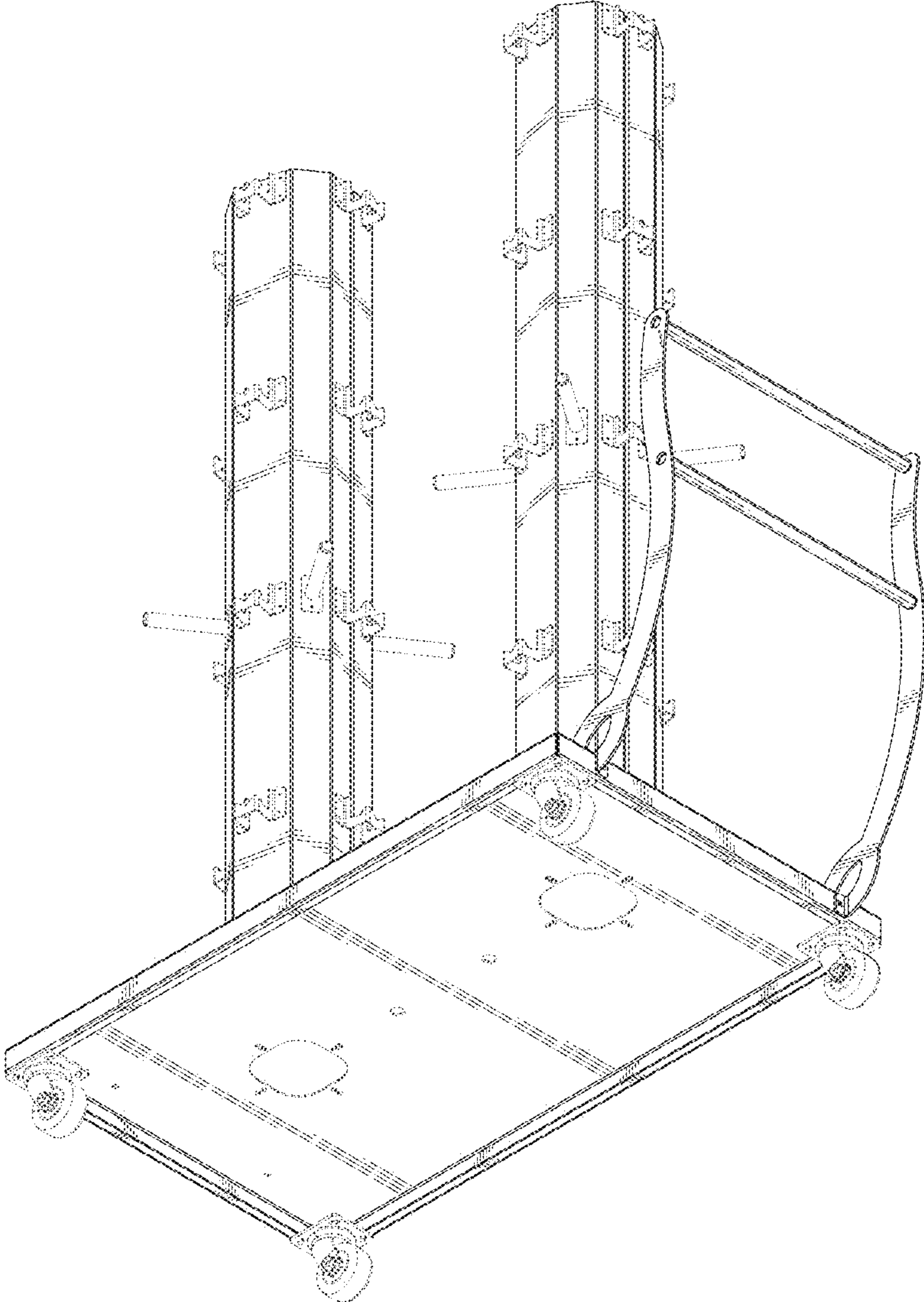


FIG. 2



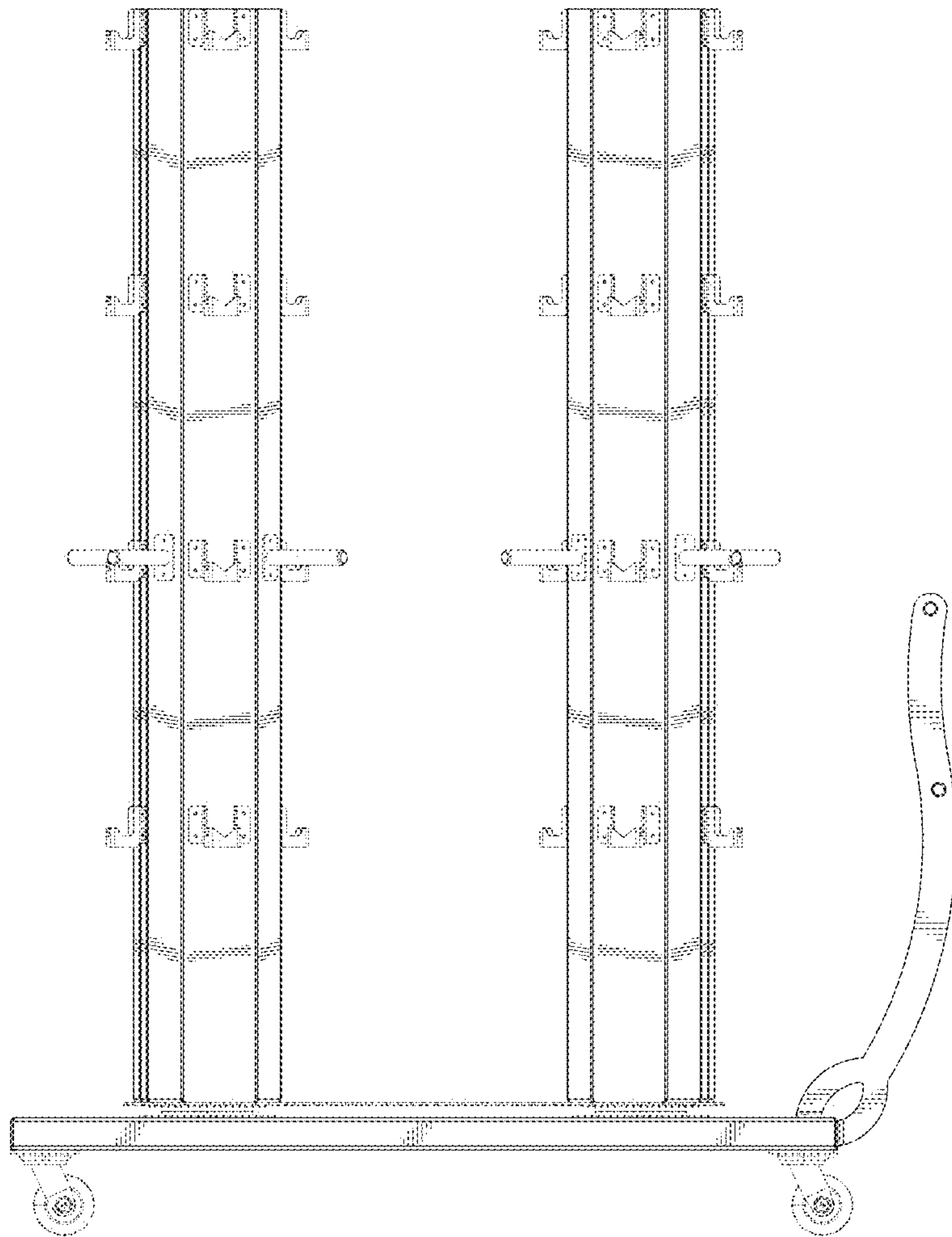


FIG. 3

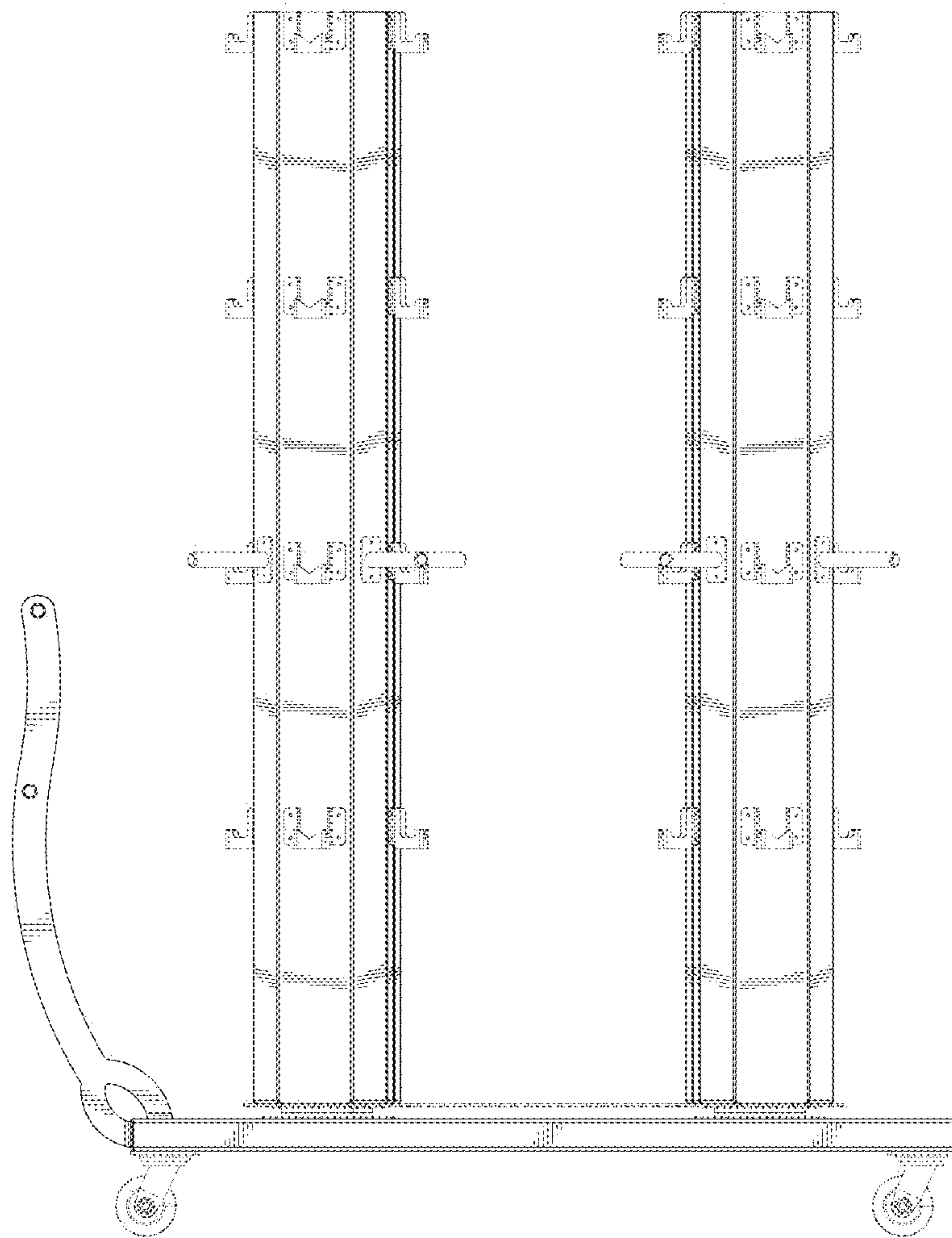


FIG. 4

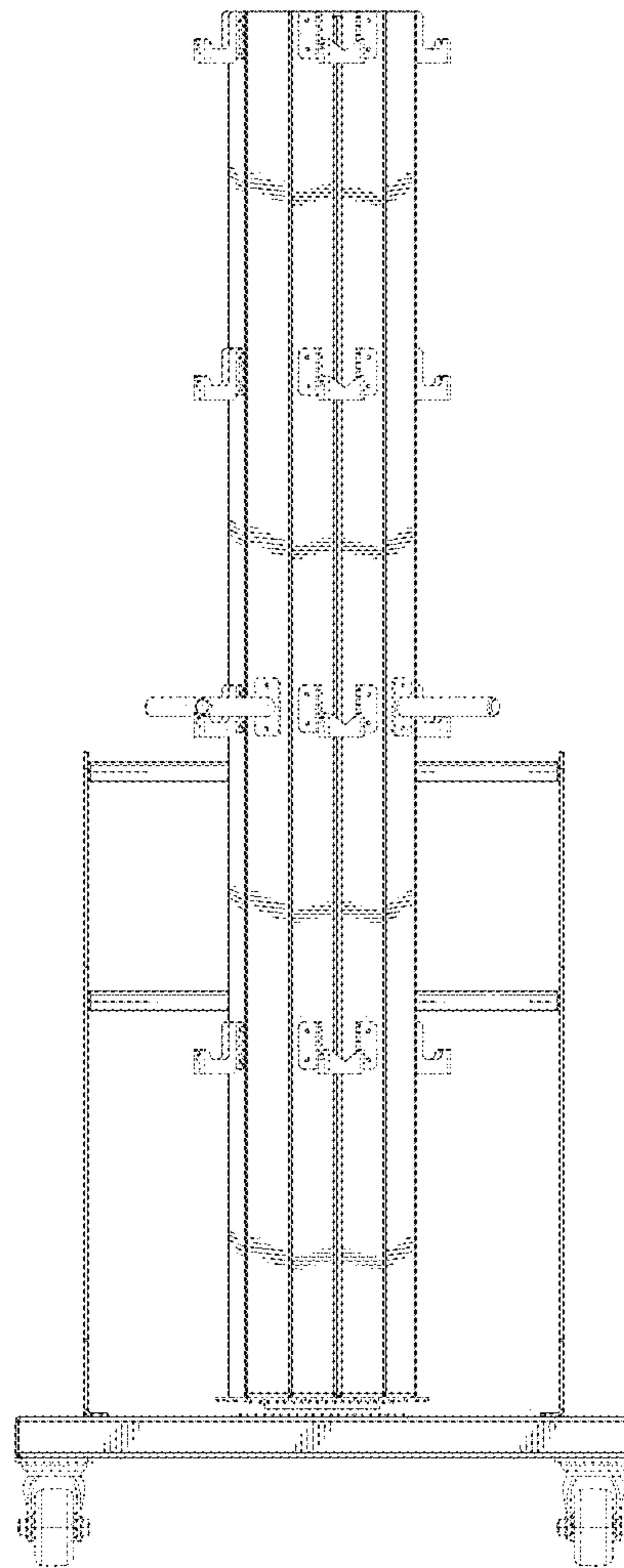


FIG. 5

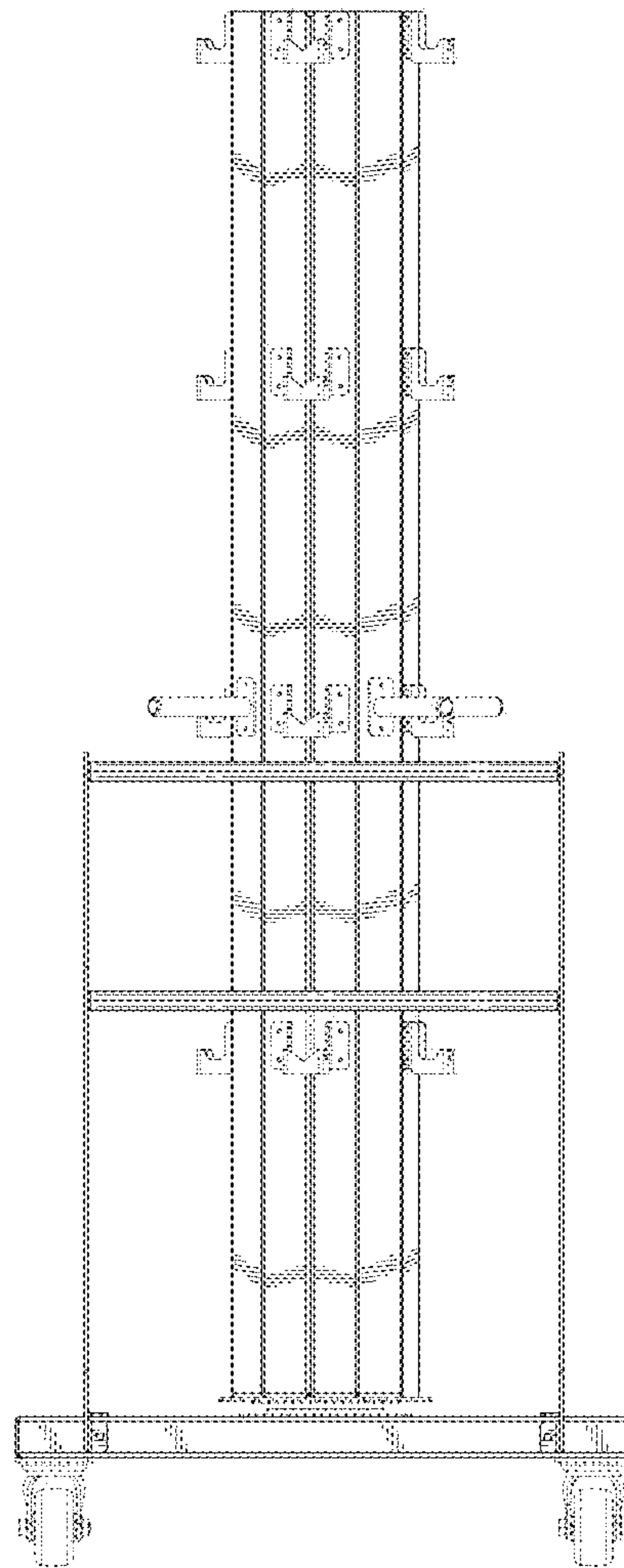


FIG. 6

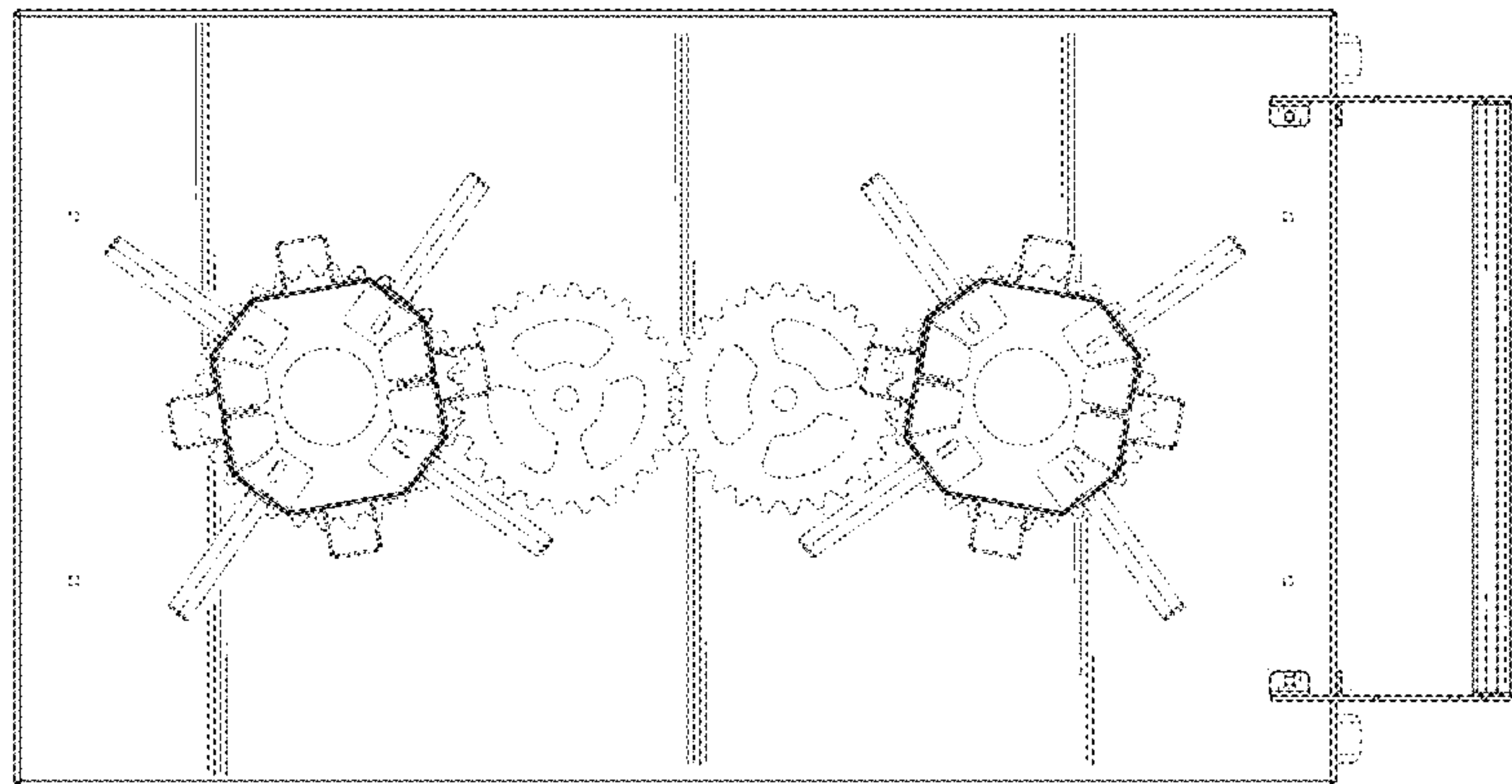


FIG. 7



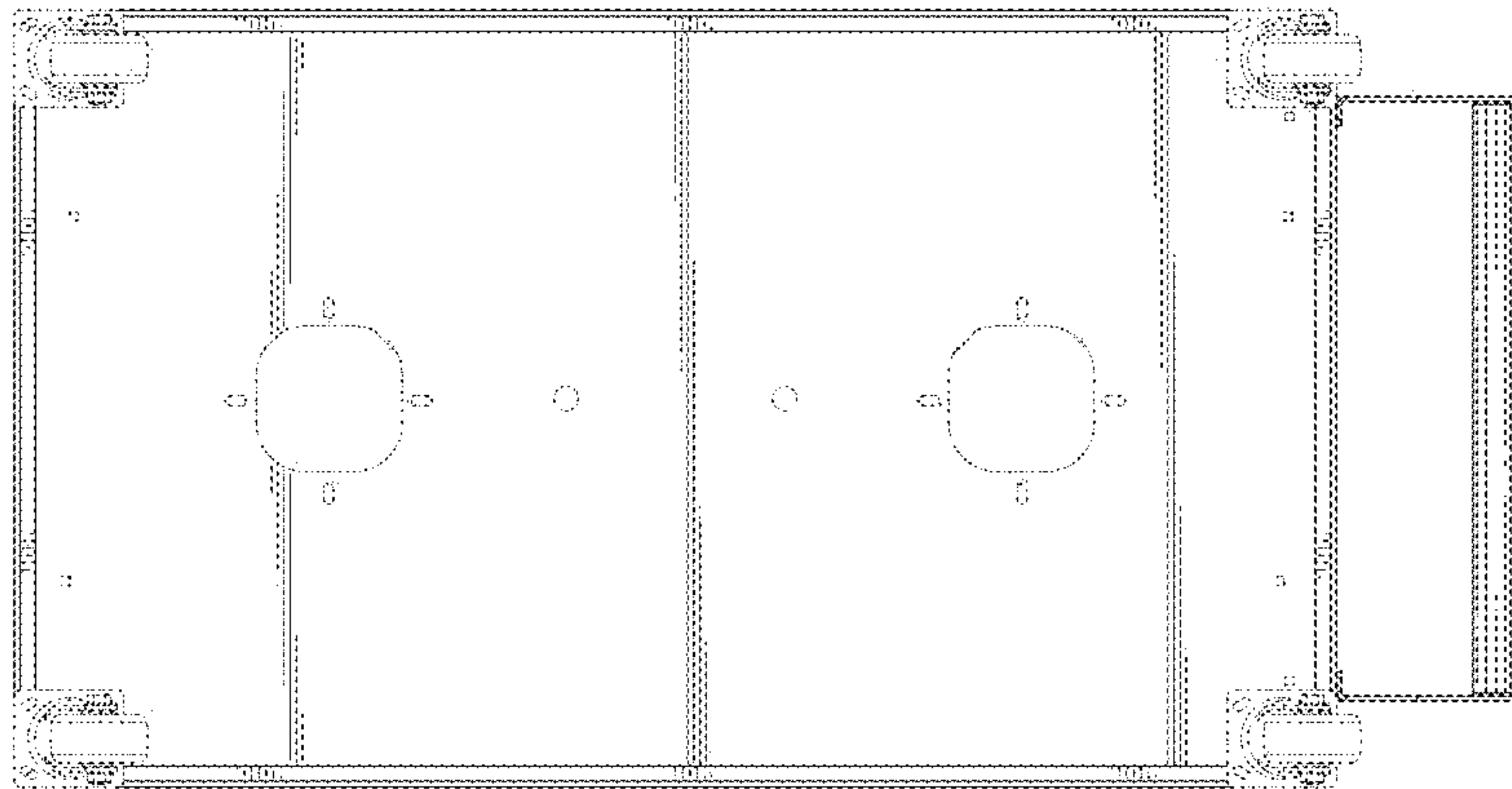


FIG. 8